

ARGO Diode Battery Combiners

www.victronenergy.com



Argo Diode Battery Combiner BCD 802

Diode Battery Combiners are used to guarantee continuous DC power to mission critical equipment, such as an electronic engine control system. With a diode battery combiner two or more DC power sources can be used in parallel to supply the mission critical load. Failure of one source will not interrupt power to the critical load.

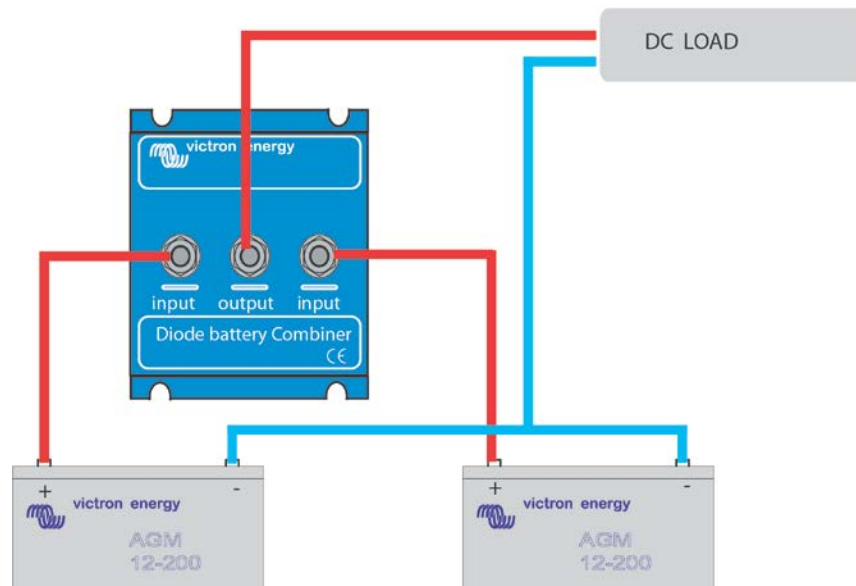
The Argo Battery Combiners feature a low voltage drop thanks to the use of Schottky diodes: at low current the voltage drop is approximately 0,3 V and at the rated output approximately 0,45 V.

Warning: hot surface, mount the Argo Diode Battery Combiner on non-flammable surface only!

| Argo Diode Battery Combiner | BCD 402 | BCD 802 |
|---|------------------------------------|------------------------------------|
| Maximum continuous current (A) | 40 | 80 |
| Number of batteries | 2 | 2 |
| Connection | M6 bolts | M6 bolts |
| Weight kg (lbs) | 0,8 (1.8) | 0,8 (1.8) |
| Dimensions h x w x d in mm (h x w x d in inches) | 60 x 120 x 75 (2.4 x 4.7 x 3.0) | 60 x 120 x 75 (2.4 x 4.7 x 3.0) |



Circuit diagram



System with two batteries