

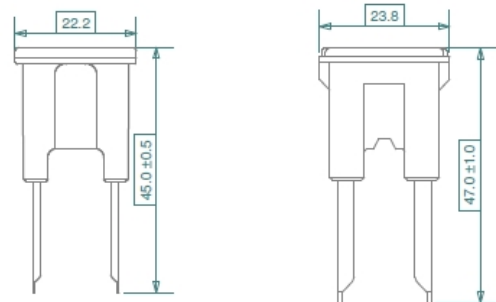
### B/BT, G JapaneseOTO style slow-blow fuse series

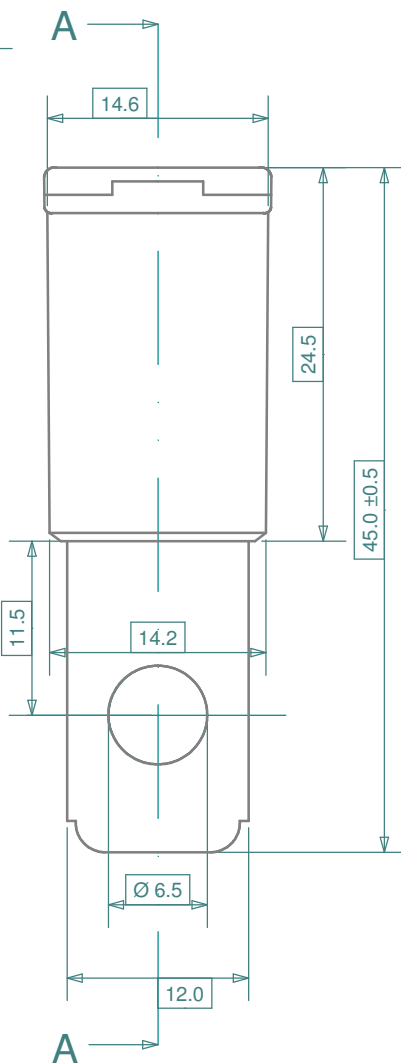
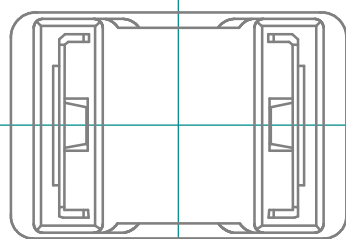
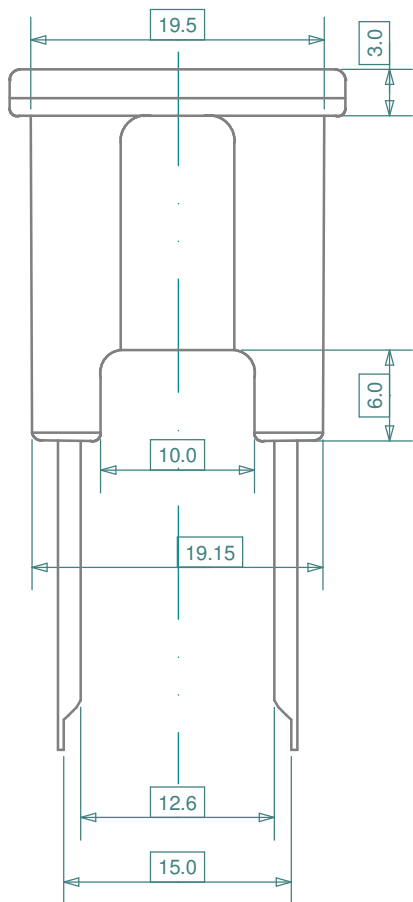
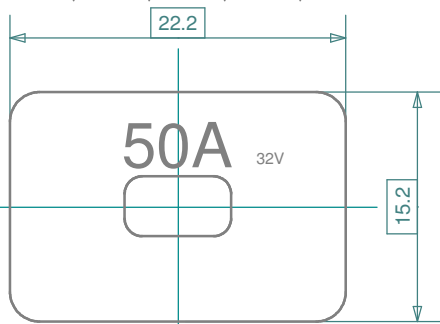
- Meets international specs, complies to JASO D612 and other standards
- Element visibility from top through transparent cover
- Robust/sturdy body construction
- Safe and highly reliable operation through ceramic heat sink construction (G)
- Self extinguishing, color coded body materials
- High temperature resistive plastics used for fuse body materials
- Secure and controlled time-delayed functioning with purpose designed elements
- Integrated, durable, Cu-alloy blades
- Used in Japanese, European, American and Korean designed vehicles



**NOTE: type G series fuse DISCONTINUED, no longer available.**

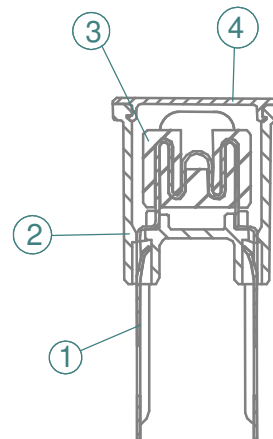
iMaXX ref.	Color	Rating [A]	Rating [V]	Type
L030B	Pink	30	58	B/BT
L040B	Green	40	58	B/BT
L050B	Red	50	58	B/BT
L060B	Yellow	60	58	B/BT
L070B	Brown	70	58	B/BT
L080B	Black	80	58	B/BT
L100B	Blue	100	58	B/BT
L120B	White	120	58	B/BT
L140B	D. Red	140	58	B/BT
L100G	Blue	100	32	G **
L120G	White	120	32	G **
L150G	D. Red	150	32	G **





iMaXX ref.	Rating [A]	Color
L030B	30	pink
L040B	40	green
L050B	50	red
L060B	60	yellow
L070B	70	brown
L080B	80	black
L100B	100	blue
L120B	120	white
L140B	140	dark red

### Section A - A



Cross section scale 1:1

1	Element, copper alloy
2	Housing, PA 66 (30-60A) PPS (70-140A)
3	Heat insulator, ceramics
4	Top cover, PAR

Revisions			Drawn	Date	Appr.
a	09/02	added 140A	Checked	08/07	AdH
b	08/07	re-drawn	Standards		
			Approved	08/07	AdH



		Scale 2:1		Title	L - B series, japOTO SlowBlow fuse
		Projection	Tolerance ± 0.2 mm unless otherwise noted	Drawing type	schematic
				Drawing number	L - B drawing 1
				Sheet	1 of 1
				Layers	0 1 2 4 6 7 8 9

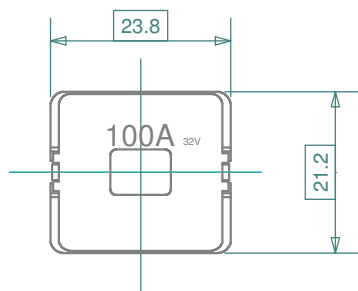
1

2

3

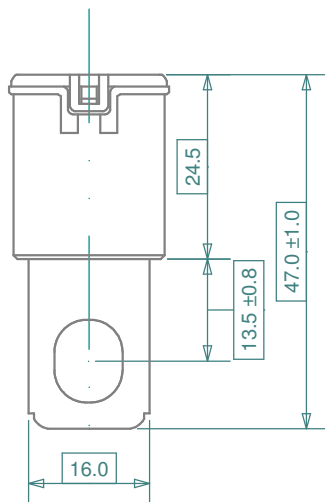
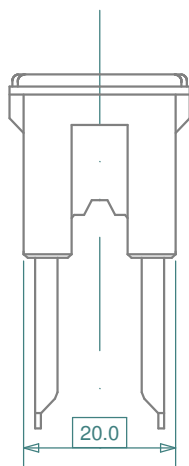
4

A



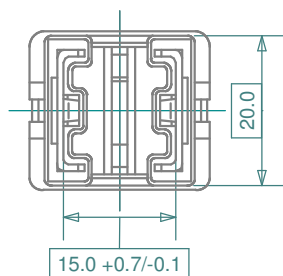
iMaXX ref.	Rating	Color
	[A]	
L100G	100	blue
L120G	120	white
L150G	150	dark red

B



C

D



E

Revisions			Drawn	Date	Appr.
a	09/07	re-drawn	Checked	09/07	AdH
			Standards		
			Approved	09/07	AdH

F

Scale 1 : 1

Projection

Tolerance  
± 0.2 mm unless  
otherwise noted

Title

L - G series, japOTO SlowBlow fuse

Drawing type

schematic

Drawing number

L - G drawing 1

Sheet

1 of 1

Layers / Sheet

012 6 89

Sheet 01

1

2

3

4

A

B

C

D

E

F