

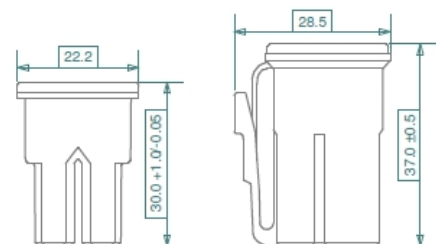
AS, E, ES JapaneseOTO style slow-blow fuse series

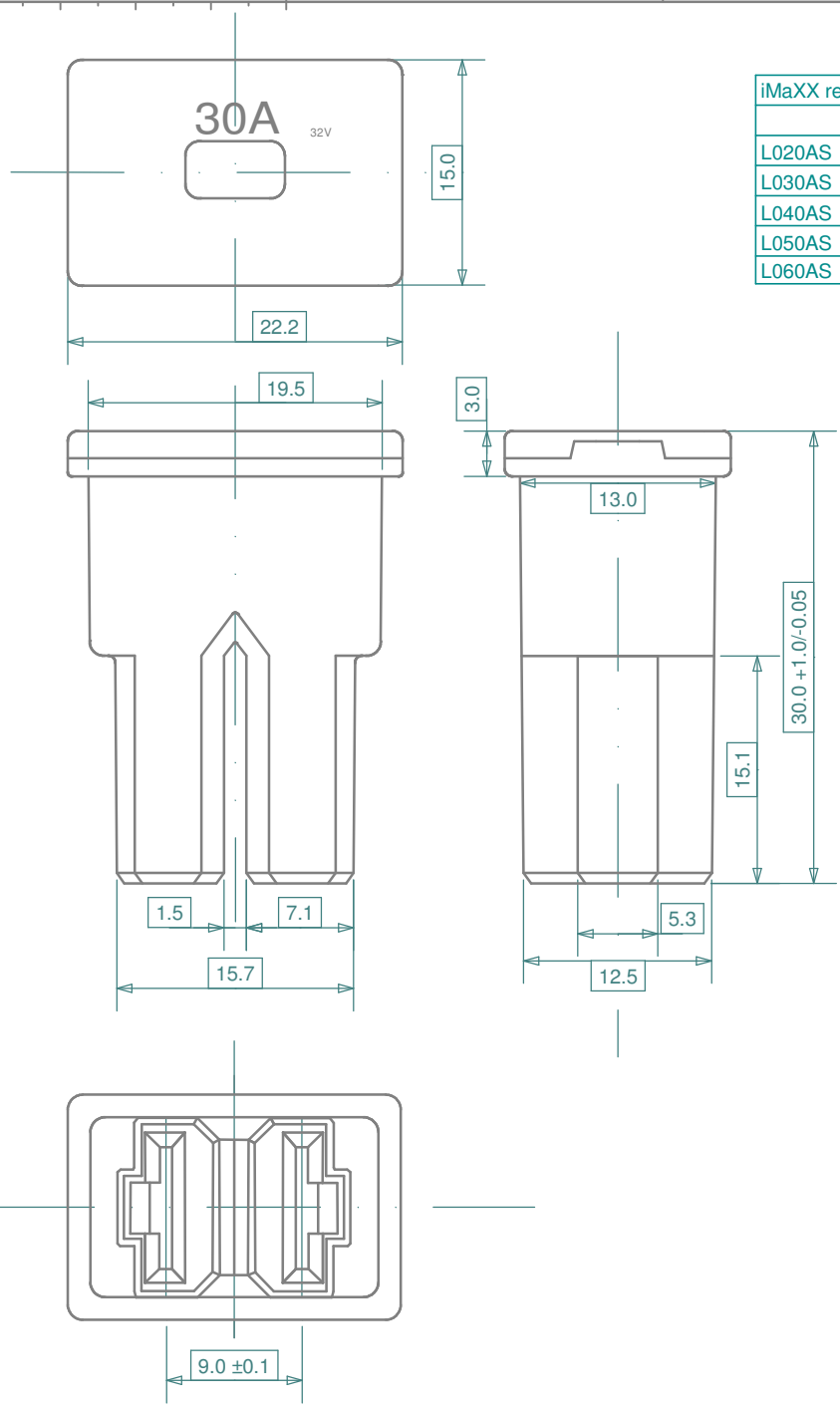
- Meets international specs, complies to JASO D612 and other standards
- Element visibility from top through transparent cover
- Robust/sturdy body construction
- Safe and highly reliable operation through ceramic heat sink construction
- Self extinguishing, color coded body materials
- High temperature resistive plastics used for fuse body materials
- Secure and controlled time-delayed functioning with purpose designed elements
- Integrated, durable, Cu-alloy receptacles
- Used in Japanese, European, American and Korean designed vehicles



NOTE: type ES series fuse DISCONTINUED, no longer available.

iMaXX ref.	Color	Rating [A]	Rating [V]	Type
L020AS	L. Blue	20	58	AS
L030AS	Pink	30	58	AS
L040AS	Green	40	58	AS
L050AS	Red	50	58	AS
L060AS	Yellow	60	58	AS
L045E	Red	45	32	E
L065E	Black	65	32	E
L075E	Gray	75	32	E
L050ES	Red	50	32	ES **
L060ES	Yellow	60	32	ES **
L080ES	Black	80	32	ES **





iMaXX ref.	Rating [A]	Color
L020AS	20	Blue
L030AS	30	Pink
L040AS	40	Green
L050AS	50	Red
L060AS	60	Yellow

Revisions			Drawn	Date	Appr.
a	07/07	re-drawn	Checked	07/07	
			Standards		
			Approved	07/07	AdH
			Scale 2 : 1		
			Projection	Tolerance ± 0.2 mm unless otherwise noted	
				Title	L - AS series, japOTO SlowBlow fuse
				Drawing type	schematic
				Drawing number	L - AS drawing 1
				Sheet	1 of 1
				Layers	012 6 89



A
B
C
D
E
F

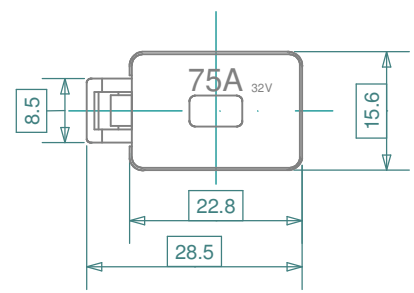
A
B
C
D
E
F

1 2 3 4

1 2 3 4

A

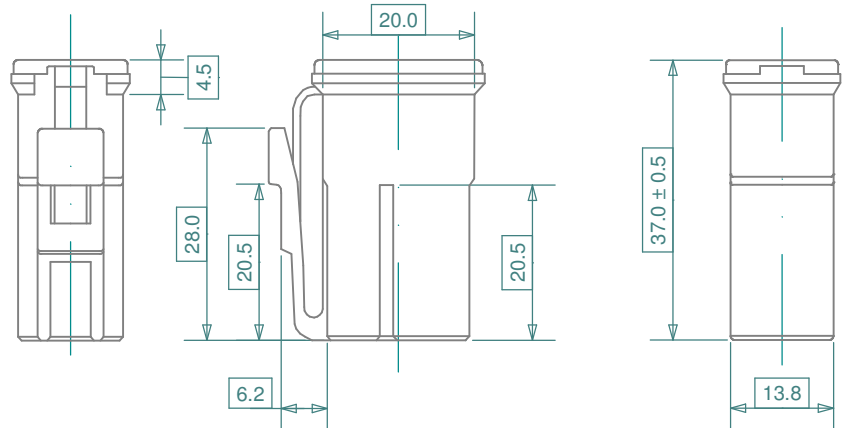
A



iMaXX ref.	Rating	Color
	[A]	
L045E	45	Red
L065E	65	Black
L075E	75	Grey

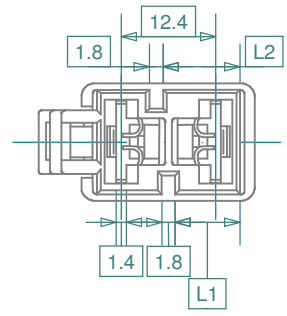
B

B



C

C



iMaXX ref.	L1	L2
L045E	10.1	10.1
L065E	8.5	8.5
L075E	8.5	10.1

D

D

E

E

Revisions			Drawn	Date	Appr.
a	09/07	re-drawn	Checked	09/07	
			Standards		
			Approved	09/07	AdH



F

F

Scale	1 : 1	Title	L - E series ; japOTO SlowBlow fuse		
Projection		Drawing type	schematic		
		Drawing number	L - E drawing 1		
		Sheet	1 of 1		
		Layers / Sheet	0 1 2	6	8 9