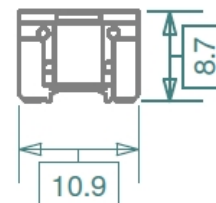


FLP7000 miniOTO blade fuse series

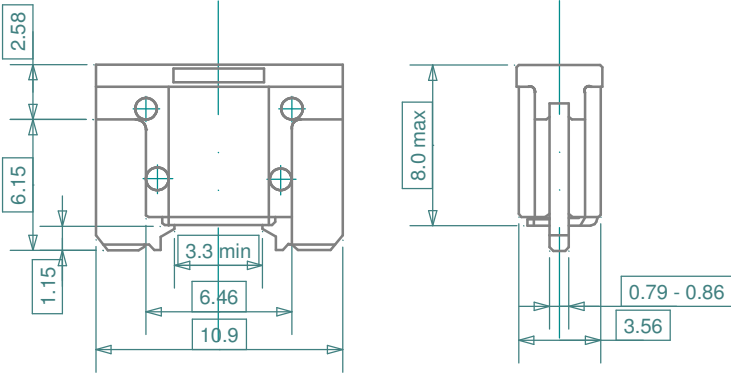
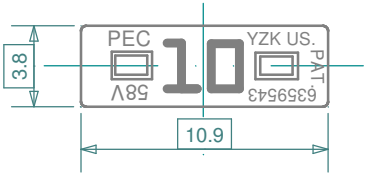
- Meets international specs, complies to JASO and other standards
- Check fuse in fuse block using test points at top of the fuse
- Element visibility from sides, semi transparent fuse bodies
- Blade rigidity through robust/sturdy body construction
- Safe and highly reliable/consistent operation with a single piece construction
- Rated at 58 Volt
- Color coded body materials
- Rating marked on top using OCR font
- Silver plated blades
- Used in Japanese, European and Korean designed vehicles



iMaXX ref.	Color	Rating [A]	Voltage [V]
FLP7002	Gray	2	58
FLP7003	Violet	3	58
FLP7004	Pink	4	58
FLP7005	Tan	5	58
FLP7075	Brown	7,5	58
FLP7010	Red	10	58
FLP7015	Blue	15	58
FLP7020	Yellow	20	58
FLP7025	Natural	25	58
FLP7030	Green	30	58



Fusing time ISO 8820-9 [s]		
Load [%]	Minimum [s]	Maximum [s]
110 %	360,000	-
135 %	0.75	600
160 %	0.25	50
200 %	0.15	5
350 %	0.04	0.5
600 %	0.02	0.1



Notes:	
Housing	Nylon material, rating printed in white OCR-A font on fuse top
Element	Zinc alloy material

Rating [A]	Color	Volt [V]	iMaXX Reference
2	Gray	58	FLP7002
3	Violet	58	FLP7003
4	Pink	58	FLP7004
5	Tan	58	FLP7005
7.5	Brown	58	FLP7075
10	Red	58	FLP7010
15	Blue	58	FLP7015
20	Yellow	58	FLP7020
25	Natural	58	FLP7025
30	Green	58	FLP7030

Revisions			Drawn	Date	Appr.
a	04/07	add 58V	Checked	10/12	GRH
b	07/07	re-drawn	Standards	10/12	BE
c	10/12	updated DIN to ISO	Approved	10/12	AdH



Scale 3 : 1		Title	
Projection		FLP7000 series, miniOTO Low Profile fuse	
		Drawing type	
		schematic	
		Drawing number	
		FLP7000 drawing 1	
		Sheet	
		1 of 1	
		Layers	
		0 1 2 6 8 9 10	