

# EV/BOX

# EVBox Liviqo

## Cable

(EN) Installation and user manual

---

(DA) Installations- og brugervejledning  
(DE) Installations- und Benutzerhandbuch  
(ES) Manual de instalación y de usuario  
(FR) Manuel d'installation et d'utilisateur  
(IT) Manuale d'uso e installazione  
(NL) Installatie- en gebruikershandleiding  
(NO) Installasjons- og brukerhåndbok  
(PL) Instrukcja instalacji i obsługi  
(PT) Manual de instalação e do utilizador  
(SV) Installations- och användarhandbok



# EV/BOX

# EVBox Liviqo

## Cable

(EN) **Installation and user manual**

---

(DA) Installations- og brugervejledning

(DE) Installations- und Benutzerhandbuch

(ES) Manual de instalación y de usuario

(FR) Manuel d'installation et d'utilisateur

(IT) Manuale d'uso e installazione

(NL) Installatie- en gebruikershandleiding

(NO) Installasjons- og brukerhåndbok

(PL) Instrukcja instalacji i obsługi

(PT) Manual de instalação e do utilizador

(SV) Installations- och användarhandbok





# Contents

(EN) Installation and user manual	3
(DA) Installations- og brugervejledning	49
(DE) Installations- und Benutzerhandbuch	95
(ES) Manual de instalación y de usuario	141
(FR) Manuel d'installation et d'utilisateur	187
(IT) Manuale d'uso e installazione	233
(NL) Installatie- en gebruikershandleiding	279
(NO) Installasjons- og brukerhåndbok	325
(PL) Instrukcja instalacji i obsługi	371
(PT) Manual de instalação e do utilizador	417
(SV) Installations- och användarhandbok	463



# EVBox Liviqo

## Cable



# Contents

1. Introduction	7
1.1. Scope of the manual	7
1.2. Symbols used in this manual	7
1.3. Icons used in this manual	7
1.4. Certification and compliance	8
2. Safety	8
2.1. Safety precautions	8
2.2. Moving and storage precautions	10
3. Product features	11
3.1. Description	11
3.2. Technical specifications	11
3.3. Delivered components	13
4. Installation instructions	13
4.1. Prepare for installation	13
4.1.1. Plan for installation	13
4.1.2. Tools required	15
4.1.3. Power supply requirements	15
4.1.4. Optional: Dynamic load balancing	18
4.1.5. Optional: Cluster load balancing	18
4.1.6. Only for applicable countries: Remote power control by DSO	20
4.2. Unpacking	20
4.3. Install the wall bracket and charging station	22
4.4. Connect the power cable	24
4.5. Charging station communication	30
4.5.1. Route communication cables	31
4.5.2. Optional: Connect Ethernet cable for Internet	32
4.5.3. Optional: Install SIM card for Internet	33
4.5.4. Optional: Connect dynamic load balancing cable	34
4.5.5. Only for applicable countries: Connect remote power control cable	34
4.5.6. Tighten the cable gland	35
4.6. Install the charging station covers	36
4.7. Configuration	40
4.7.1. Configure the charging station	40
4.7.2. Optional: Activate the charging station with CMP	41
4.7.3. Ready for use	41
5. User instructions	41
5.1. Start and stop a charging session	41
5.2. Status indication	42
5.3. Maintenance by user	43
5.4. Log in to the charging station	43
6. Troubleshooting	43
6.1. Error indication	43
6.2. Access the RCBO	44
7. Decommissioning	47
8. Appendix	47
8.1. Glossary	47



# 1. Introduction

This Installation and user manual describes how to install the charging station and make it ready to use. You must carefully read the safety information before you start.

## 1.1. Scope of the manual

The installation and configuration instructions in this manual are intended for qualified installers who can assess the work and identify potential danger.

The user instructions are intended for users of the charging station.

Retain all documentation delivered with the charging station in a safe place for the entire life cycle of the product. Forward all documentation to any subsequent owners or users of the product.

All EVBox manuals can be downloaded from [evbox.com/manuals](https://evbox.com/manuals).

### Disclaimer

This document is drafted for information purposes only and does not constitute a binding offer or contract with EVBox. EVBox has compiled this document to the best of its knowledge. No express or implied warranty is given for the completeness, accuracy, reliability, or fitness for the specific purpose of its content and the products and services presented therein. Specifications and performance data contain average values within existing specification tolerances and are subject to change without prior notice. EVBox explicitly rejects any liability for any direct or indirect damage, in the broadest sense, arising from or related to the use or interpretation of this document.

© EVBox. All rights reserved. EVBox name and the EVBox logo are trademarks of EVBox B.V or one of its affiliates. No part of this document may be modified, reproduced, processed, or distributed in any form or by any means, without the prior written permission of EVBox.

EVBox Manufacturing B.V.

Kabelweg 47

1014 BA Amsterdam

The Netherlands

[help.evbox.com](https://help.evbox.com)

## 1.2. Symbols used in this manual

### Symbols used in this manual

#### DANGER

Indicates an imminently hazardous situation with a high risk level which, if the danger is not avoided, will cause death or serious injury.

#### WARNING

Indicates a potentially hazardous situation with moderate risk level which, if the warning is not obeyed, can cause death or serious injury.

#### CAUTION

Indicates a potentially hazardous situation with a medium risk level which, if the caution is not obeyed, may cause minor or moderate injury or damage to the equipment.

#### Note

Notes contain helpful suggestions, or references to information not contained in this manual.

1., a. or i. Action to be followed in the stated order.

## 1.3. Icons used in this manual



Choose one feature



Installer



User



Visually check



Only for use in a dry location



Do not use a power screwdriver



AC power supply

## 14. Certification and compliance

	The charging station has been CE-certified by the manufacturer and bears the CE logo. The relevant declaration of conformity may be obtained from the manufacturer.
	Electrical and electronic appliances, including accessories, must be disposed of separately from the general municipal solid waste.
	Recycling of materials saves raw materials and energy and makes a major contribution to conserving the environment.



Points de collecte sur [www.quefairedemesdechets.fr](http://www.quefairedemesdechets.fr)  
Privilégiez la réparation ou le don de votre appareil !

### Note

See [EU Declaration of Conformity on page 48](#) for the Declaration of Conformity for this product.

## 2. Safety

### 2.1. Safety precautions

#### DANGER

Not following the installation and user instructions given in this manual will result in the risk of electric shock, which will cause severe injury or death.

- Read this manual before installing or using the charging station.

#### DANGER

Installation, servicing, repair and relocation of this charging station by a non-qualified person will result in the risk of electric shock, which will cause severe injury or death.

- Only a qualified electrician is permitted to install, service, repair, and relocate the charging station.
- The user must not attempt to service or repair the charging station as it does not contain user-serviceable parts.
- Local regulations may be applicable and may vary depending on your region or country of use. The qualified electrician must always ensure that the charging station is installed according to local regulations.

#### DANGER

Working on electric installations without proper precautions will result in the risk of electric shock, which will cause severe injury or death.

- Switch off the input power before installing the charging station.
- Do not switch on the charging station if it is not fully installed or not secure.
- Do not install a charging station that is faulty or has a noticeable issue.

#### DANGER

Extensive exposure of the charging station to water will result in the risk of electric shock, which will cause severe injury or death.

- Do not direct powerful jets of water toward or onto the charging station.
- Do not put the charging plug into any liquid.



** DANGER**

Operating the charging station when it is damaged or worn will result in the risk of electric shock, which will cause severe injury or death.

- Do not operate the charging station if the power supply, the enclosure or an EV connector is broken, cracked, open, or shows any other indication of damage.
- Do not operate the charging station if a charging cable is frayed, has broken insulation, or shows any other indication of damage.
- In the event of danger and/or an accident, have the electrical supply to the charging station disconnected immediately.
- Contact your installer if you suspect that the charging station is damaged.

** WARNING**

Installing the charging station during wet environmental conditions (for example, rain or fog) can result in the risk of electric shock and damage to the product, which can cause severe injuries or death.

- Do not install or open the charging station during wet environmental conditions (for example, rain or fog).

** WARNING**

Incorrect use of the charging station will result in the risk of electric shock, which can cause injury or death.

- Make sure that the contact area of the charging plug is free from dirt and moisture before starting a charging session.
- Make sure that the charging cable is positioned so that it will not be stepped on, tripped over, driven over, or otherwise subjected to excessive force or damage. Where applicable, make sure that the charging cable is correctly stowed when it is not in use, making sure that the charging plug does not touch the ground.
- Only pull on the charging plug hand grip and never on the charging cable itself.
- Keep the charging station, charging cable and charging plug away from heat sources, dirt, and water.
- Do not use explosive or readily flammable substances near the charging station.

** WARNING**

Using adapters, conversion adapters, or cord extensions with the charging station can result in technical incompatibilities and can result in damage to the charging station, which can cause injury or death.

- Use this charging station to charge compatible electric vehicles only. Refer to the charging station specifications in the charging station installation manual for details.
- Refer to your vehicle user manual to check if your vehicle is compatible.

** WARNING**

Exposure of the charging station or the charging cable to heat or flammable substances can result in damage to the charging station, which can cause injury or death.

- Make sure that the charging station and the charging cable never come into contact with heat.
- Do not use explosive or readily flammable substances near the charging station.

** WARNING**

Using the charging station under conditions not specified in this manual can result in damage to the charging station, which can cause injury or death.

- Use the charging station only under the operating conditions specified in this manual.

** WARNING**

Working on electrical installations without using personal protective equipment can result in the risk of injury.

- Use personal protective equipment such as eye protection, cut-resistant gloves, and non-slip safety shoes to prevent personal injuries.

**⚠ WARNING**

In the event of a fire, not following the fire fighting instructions can result in increased danger, which can cause injury or death.

- When safe to do so, have the electrical supply to the equipment that is burning or endangered by fire disconnected.
- Do not use water to extinguish electrical installations and equipment that have a live power supply.
- To extinguish a charging station, use an extinguisher that is specified for use on electrical equipment with a rating of up to 1 kV.

**⚠ CAUTION**

Charging a vehicle with the charging cable not completely extended can result in overheating of the cable, which can damage the charging station.

- Before you connect the charging cable to the vehicle, fully unwind the charging cable so it has no overlapping loops.

**⚠ CAUTION**

Putting fingers into or leaving other objects inside the plug port (for example, during cleaning) can cause injury or can damage the charging station.

- Do not put your fingers into the plug port.
- Do not leave objects inside the plug port.

**⚠ CAUTION**

Not taking precautions against ESD (Electrostatic discharge) can damage electronic components in the charging station.

- Take the necessary precautions against ESD before touching electronic components.

**⚠ CAUTION**

Not enabling firmware updates for this charging station, or disabling, opting out of, or otherwise failing to install available firmware updates, can cause the charging station to encounter problems, function with errors, and be more prone to safety or security risks.

## 2.2. Moving and storage precautions

Obey the following guidelines when moving and storing the charging station:

- Never lift the charging station using its charging cable.
- Disconnect the input power before removing the charging station for storage or relocation.
- Transport and store the charging station only in its original packaging. No liability can be accepted for damage incurred when the product is transported in non-standard packaging.
- Store the charging station in a dry environment in the temperature and humidity ranges given in the Technical specifications (see [Technical specifications on page 11](#)).

## 3. Product features

### 3.1. Description

#### 1. Charging station

The charging station safely supplies electrical power from the grid to the electric vehicle (EV).

#### 2. Display

The display guides the user through the actions required, and shows information about the charging session.

#### 3. Light sensor and proximity sensor

The light sensor measures the light intensity to automatically adjust the brightness of the display and the LED ring. The proximity sensor switches on the display when a person is close to the charging station.

#### 4. RFID reader

This is the area where you scan your charge card or key fob to start or stop a charging session.

#### 5. LED ring

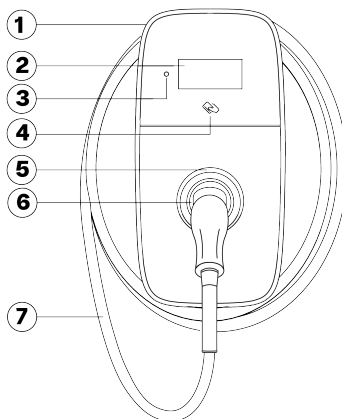
The LED ring indicates the status of the charging station.

#### 6. Dock

The dock holds the charging cable plug when the charging cable is not in use.

#### 7. Charging cable

The charging cable connects the charging station to the EV. The charging cable is stowed around the station when the cable is not in use.



### 3.2. Technical specifications

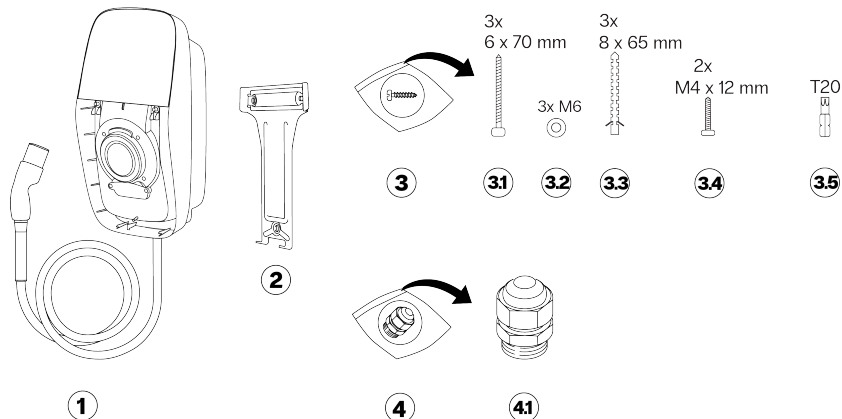
Feature	Description
<b>Electrical properties</b>	
Maximum charge rate	Up to 22 kW (3-phase, 32 A) <b>Note</b> Derating may occur. The charge rate depends on factors such as the demand from the EV, the available power supply, and the ambient temperature.
Charging mode	Mode 3 (IEC 61851-1)
Fixed charging cable	Type 2 plug (IEC 62196-1, IEC 62196-2)
Charging cable length	6 m
kWh meter	MID-approved with class B accuracy (EN-50470) Eichrecht compliant meter <sup>(1)</sup>
Input capacity	6 – 32 A configurable 1-phase, 230 V ±10%, maximum 32 A ±6%, 50/60 Hz 3-phase, 400 V ±10%, maximum 32 A ±6%, 50/60 Hz
Power cable sheath diameter	12 to 25 mm

Feature	Description
Power cable wire gage	Solid wire: maximum 16 mm <sup>2</sup> Stranded wire with ferrule (without plastic sleeve): maximum 10 mm <sup>2</sup>
Rated impulse withstand voltage ( <i>U<sub>imp</sub></i> )	4000 V
Rated insulation voltage ( <i>U<sub>i</sub></i> )	250 V AC (phase to ground) 450 V AC (phase to phase)
Leakage current detection	Tripping times and limits are compliant with IEC 61851-1:2017 Cl. 8.5. (in accordance with IEC 62955:2018 Table 2). See <a href="#">Power supply requirements on page 15</a> . RCBO: Type A or Type B
<b>Environment and safety class</b>	
Operating temperature range	-30 °C to +50 °C
Storage temperature range	-40 °C to +80 °C
Humidity (non-condensing)	5% to 95%
Maximum installation altitude	2000 m above sea level
Enclosure codes	IP55 (IEC 60529), IK10 (IEC 62262)
Safety class	Safety Class I and overvoltage Category III
Pollution degree of the macro-environment	Pollution degree 3
Electromagnetic compatibility (EMC) classification	Environment A and Environment B (in accordance with IEC 61439-1)
Mechanical resistance for stationary assembly	High resistance
<b>Connectivity</b>	
Authorization	RFID reader or using an app
Wi-Fi	2.4/5 GHz
Local area network	Ethernet
Cellular communication	4G LTE-M (2G fallback supported)
Communication protocol	OCPP 2.0.1
Smart charging features	Dynamic Load Balancing, Cluster Load Balancing, EEBus compliant, ISO 15118 (hardware ready)
<b>Physical properties</b>	
Dimensions (W x H x D)	256 x 508 x 211 mm
Weight	Approximately 8.4 kg
Housing material	Low-carbon Makrolon RE <sup>®</sup>
HMI	5" 800 x 480 WVGA IPS LCD, LED ring, Buzzer, Authorization
<b>Certification and compliance</b>	
Power supply input	EV supply equipment permanently connected to AC supply network
Power supply output	AC EV supply equipment
Normal environmental conditions	Indoor and outdoor use
Access	Equipment for locations with non-restricted access
Equipment type	Stationary equipment that is wall-mounted or pole-mounted

<sup>(1)</sup>Optional.

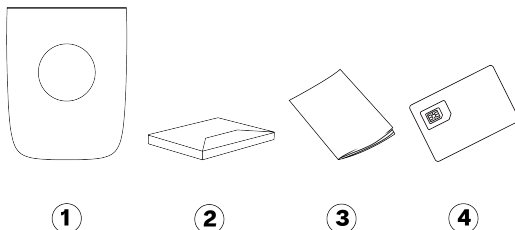
### 3.3. Delivered components

#### Components in the charging station box



- |     |                                      |     |  |
|-----|--------------------------------------|-----|--|
| 1   | Charging station with charging cable | 3.3 | Wall-plugs, 8x65 mm, 3x                            |
| 2   | Wall bracket                         | 3.4 | Screws, M4x12 mm, T20, 2x                          |
| 3   | Installation kit                     | 3.5 | Torx bit, T20 security                             |
| 3.1 | Panel screws, 6x70 mm, T20, 3x       | 4   | Cable gland kit                                    |
| 3.2 | Washers, M6, 3x                      | 4.1 | Cable gland, 12-20 mm, with seal and blanking plug |

#### Components in the cover box



- |   |                         |   |                              |
|---|-------------------------|---|------------------------------|
| 1 | Front cover             | 3 | Installation and user manual |
| 2 | Welcome pack (optional) | 4 | SIM card (optional)          |

## 4. Installation instructions

### 4.1. Prepare for installation

#### 4.1.1. Plan for installation

The following recommendations help you to plan the installation of the charging station.

##### Choose location

- Position the charging station, where possible, in a location where it is not exposed to direct sunlight or vulnerable to external damage.
- The wall must have a flat structure and must be able to hold a load of at least 100 kg.
- The minimum free space around the charging station is 300 mm.
- The location must not cause the charging cable to have sharp bends.
- The power cable can enter the charging station from the top or the bottom. The bottom cable entry A can be used in any location. The top cable entry B must only be used in a location where there is no risk of

exposure to rain or moisture.

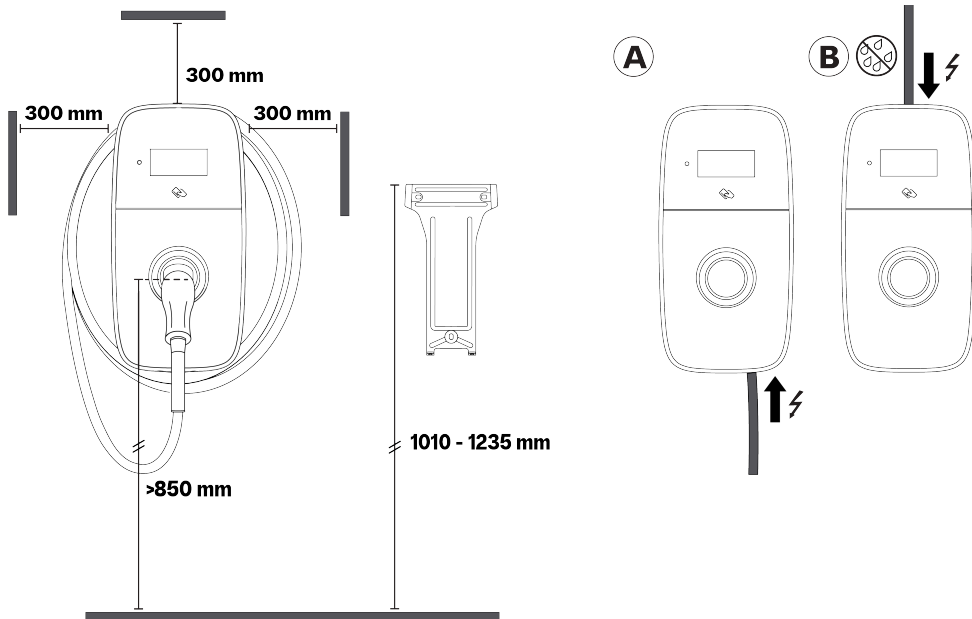
### ⚠ CAUTION

Risk of water ingress when the top cable entry B is used outdoors. Over a long period of time, rain and moisture can enter the charging station along the power cable, which can damage the charging station.

- Communication cable entry is only through the bottom of the charging station.

### 📌 Note

The following illustration shows the minimum recommended installation height. Observe and comply with the local accessibility regulations.

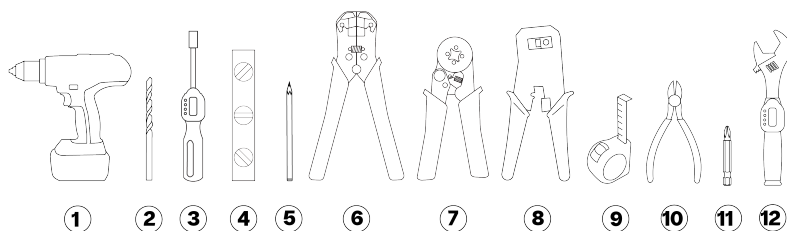


### Pre-installation checklist

Before starting the installation of the charging station, check the following:

- The installation will be in accordance with IEC 60364 and any applicable local regulations.
- All necessary permits have been obtained from the local authority that has jurisdiction.
- The existing electrical load has been calculated to find the maximum operating current for the charging station installation.
- For a charging station without an RCBO, a miniature circuit breaker (MCB) and residual current device (RCD) are installed upstream and have the recommended ratings. See [Power supply requirements on page 15](#).
- The power supply cable with the correct specification has been routed to the installation area, and there is sufficient cable length to strip and connect the wires.
- The power supply cable will remain within its bending tolerance during and after installation.
- The recommended tools are available on site. See [Tools required on page 15](#).
- The plugs, screws, and drill bit used for installing the charging station are suitable for the wall structure.
- If using a cluster set up, the correct phase order is planned and the requirements are met. See [Optional: Cluster load balancing on page 18](#).

## 4.1.2. Tools required



- |   |  |
|---|--|
| 1. Drill  | 7. Ferrule crimp tool                  |
| 2. Drill bit for masonry, 8 mm (5/16 in)          | 8. Wire stripper and crimp tool (RJ45) |
| 3. Torque screwdriver with bit holder, 0.5 – 3 Nm | 9. Tape measure                        |
| 4. Spirit level                                   | 10. Wire cutters                       |
| 5. Pencil   | 11. Screwdriver bit, PH2               |
| 6. Wire stripper (power cable)                    | 12. Torque wrench, 3 – 6 Nm            |

## 4.1.3. Power supply requirements

**⚠ DANGER**

Connecting the charging station to the power supply other than as specified in this section will result in incompatibility of the installation and risk of electric shock, which will cause damage to the charging station and injury or death.

- Connect the charging station only in a configuration that is specified in this section.

Earthing system	TN-S and TNC-S systems	PE-cable.
	TT-system IT-system	Earth electrode installed separately (self-installed).
Power input (phase)	1-phase	230 V $\pm 10\%$ , up to 32 A $\pm 6\%$ , 50/60 Hz.
	3-phase	400 V $\pm 10\%$ , up to 32 A $\pm 6\%$ , 50/60 Hz.
MCB (Miniature Circuit Breaker)	<ul style="list-style-type: none"> <li>• Tripping characteristic: Type C.</li> <li>• The tripping current of the MCB can decrease if the ambient temperature in the power supply cabinet becomes high. Consider potential higher ambient temperatures when choosing the MCB specifications.</li> <li>• Not required for stations with a built-in RCBO.</li> </ul>	
	<p><b>i Note</b></p> <ul style="list-style-type: none"> <li>• The installation, including the MCB, must be in accordance with IEC 60364 and any applicable local regulations.</li> <li>• The MCB must match the amperage settings of the charging station and the maximum current available for the charging station, in accordance with the MCB manufacturer specifications.</li> <li>• The maximum <math>I^2t</math> value of the MCB must not exceed 75000 A<sup>2</sup>s.</li> </ul>	

RCD (Residual Current Device)	<ul style="list-style-type: none"> <li>• RCD amperage rating: The rating must match the amperage of the charging station.</li> <li>• Standard installations:             <ul style="list-style-type: none"> <li>◦ For France, the RCD must be a Type B with a rated current of 20 A or 40 A and have maximum 30 mA AC leakage current detection.</li> <li>◦ For other countries, the RCD must be a Type A, F, or B with a rated current of 20 A, 32 A or 40 A and have maximum 30 mA AC leakage current detection.</li> </ul> </li> <li>• EV Ready installations: The RCD must be a Type A+, high immunity (for example: HPI, SI, HI, KV, etc., depending on the RCD manufacturer).</li> <li>• Not required for stations with a built-in RCBO.</li> </ul> <p><b>Note</b></p> <ul style="list-style-type: none"> <li>• The installation, including the RCD, must be in accordance with IEC 60364 and any applicable local regulations.</li> <li>• The charging station has internal DC leakage detection with tripping times and limits compliant with IEC 61851-1:2017 Cl. 8.5. (in accordance with IEC 62955:2018 Table 2).</li> </ul>
-------------------------------	---

### Power supply wiring

The tables below describe how to connect the power supply to the charging station, depending on the type of the power supply and the configuration of the station.

#### **WARNING**

Connecting an IT power supply (without neutral) to a built-in Type A RCBO can result in damage to the charging station, which can cause injury or death.

- Only connect a TN or TT 3-phase power supply (with neutral) to a built-in Type A RCBO.

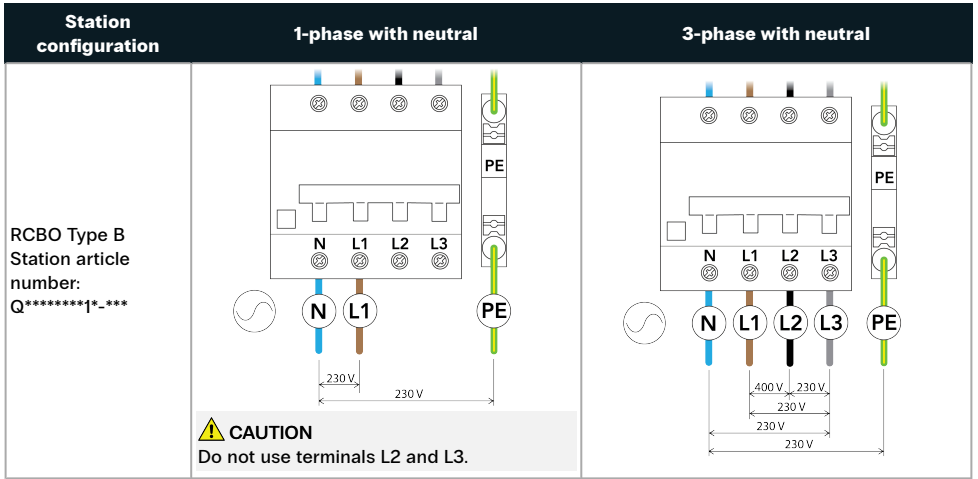
### TN and TT power supply to RCBO

#### **Note**

This section is only applicable to stations with an built-in RCBO.

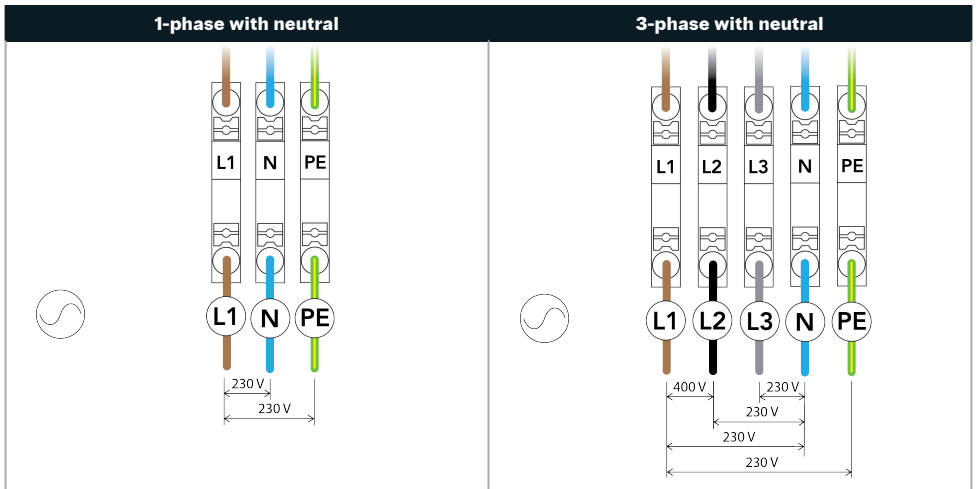
Station configuration	1-phase with neutral	3-phase with neutral
RCBO Type A Station article number: Q*****G*.***	<p><b>CAUTION</b></p> <p>Not supported. Do not connect a single phase supply to a station with a 3-phase plus neutral RCBO.</p>	





**TN and TT power supply**

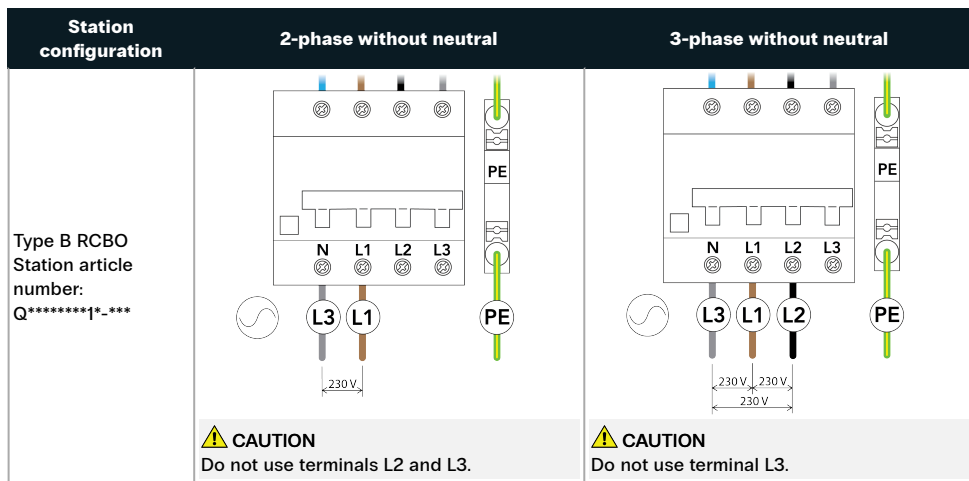
**Note**  
This section is only applicable to stations without an built-in RCBO.



**IT power supply (without neutral) to RCBO**

**CAUTION**  
Make sure that local regulations permit the installation of this charging station on an IT-grid without neutral.  
Make sure that the EV is compatible with this type of installation.

**Note**  
This section is only applicable to stations with an built-in RCBO.



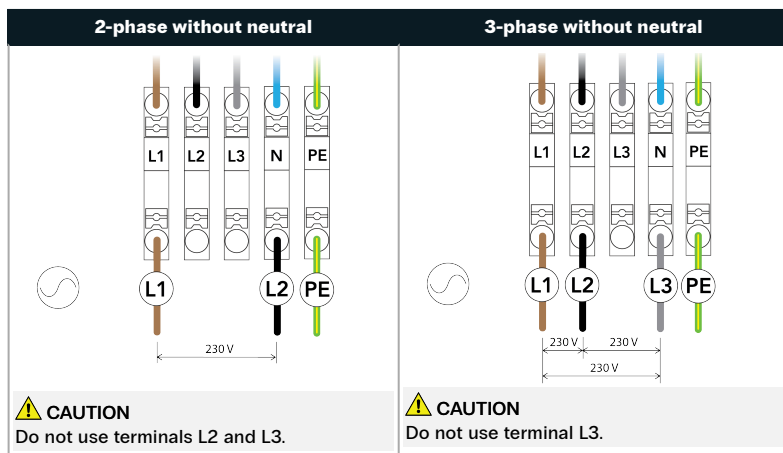
### IT power supply (without neutral)

#### **CAUTION**

Make sure that local regulations permit the installation of this charging station on an IT-grid without neutral. Make sure that the EV is compatible with this type of installation.

#### **Note**

This section is only applicable to stations without an built-in RCBO.



### 4.1.4. Optional: Dynamic load balancing

Dynamic load balancing monitors the power consumption of all electrical appliances using the same power source. The EVBox Dynamic Load Balancing Kit supplies a control signal to the charging station to regulate the power that the station supplies to the EV, which keeps the total power consumption from the power source within preset limits. In a cluster installation, the connected charging station regulates the other charging stations connected in the cluster.

Dynamic load balancing requires a wired input from a load balancing detection system (see [Charging station communication on page 30](#)).

### 4.1.5. Optional: Cluster load balancing

A cluster load balancing installation consists of multiple charging stations connected in a cluster. A cluster enables a smart grid to be established across the whole cluster to optimize power usage. Any station can be used as the connected station in the cluster. The cluster is set-up using EVBox Install App. For correct load balancing, a cluster must be connected to a single power supply circuit.

Cluster load balancing requires each station in the cluster to be connected to the same local area network (LAN) using the Ethernet connection (see [Charging station communication on page 30](#)).

**Cluster load balancing requirements**

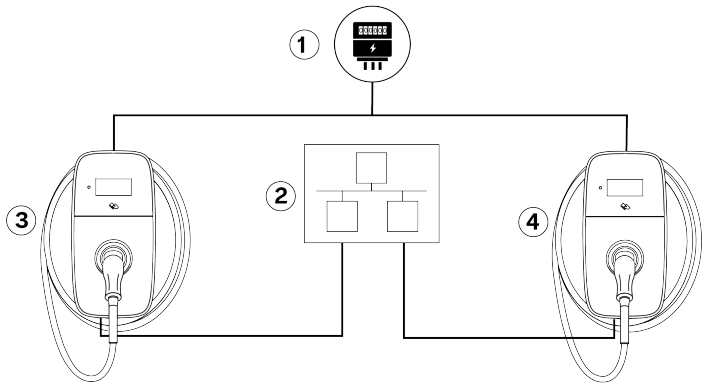
<p>Ethernet Switch</p>	<ul style="list-style-type: none"> <li>• IPv6 support</li> <li>• Not managed</li> <li>• Number of ports: The number of port must be equal or greater than the number of chargers connected to the cluster.</li> <li>• RJ45 port</li> <li>• 100 Mbps or higher</li> <li>• Static Multicasting: Disabled</li> <li>• Dynamic Multicasting (MLD snooping): Disabled</li> </ul> <div style="background-color: #f0f0f0; padding: 5px;"> <p><b>Note</b></p> <ul style="list-style-type: none"> <li>◦ For large clusters, two or more switches can be combined in the same network.</li> <li>◦ An additional port is required if the switch is used for internet connection.</li> </ul> </div>
<p>Cables</p>	<ul style="list-style-type: none"> <li>• CAT5</li> <li>• Length: 100 m maximum length for each cluster node</li> </ul>

**Connection Diagram**

The following diagram describes how multiple charging stations are connected in a cluster.

**Note**

The diagram does not include the internet connection of the charging station. The internet connection of the charging station may be set up using cellular, Wi-Fi, or Ethernet.



- |                    |                 |
|--------------------|-----------------|
| 1. Power supply    | 3. AC charger 1 |
| 2. Ethernet switch | 4. AC charger N |

**Phase rotation**

To avoid overloading the first phase with single-phase electric vehicles, the phase order for each charging station that connects to a 3-phase supply in a Power-Sharing installation must be configured using the EVBox Install App.

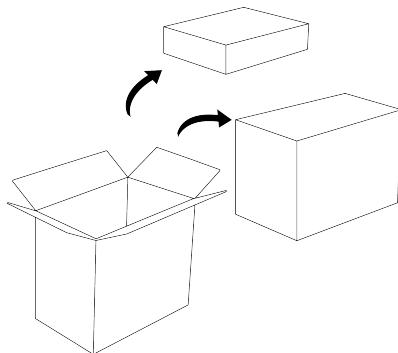
#### 4.1.6. Only for applicable countries: Remote power control by DSO

According to Technical Connection Rules VDE-AR-N-4100:2019-04 Cl. 10.6.4, a charging station with a total rated power of more than 12 kVA must have a remote power control interface to allow remote shutdown of the station by the Distribution System Operator (DSO). This charging station can be connected by cable to an upstream DSO device equipped with a Normally Open (NO) relay. When the relay closes, the station enters a suspended state and charging is paused. Charging resumes when the relay opens. See [Only for applicable countries: Connect remote power control cable on page 34](#) for cable connection instructions.

Registration with the DSO is required.

## 4.2. Unpacking

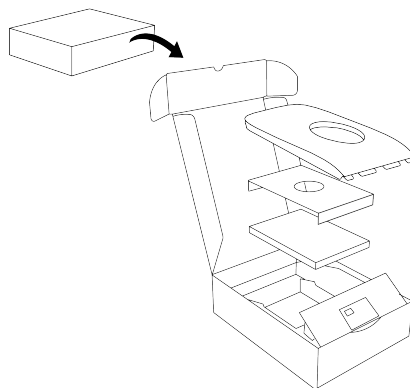
1. Open the shipping box. Remove the cover box and the charging station box.



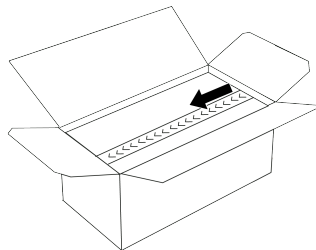
2. Open the cover box. Find the front cover, the Welcome Pack (optional), the charging station documentation, and the SIM card (optional).

### Note

To prevent damage, leave the front cover in the packaging until installation.



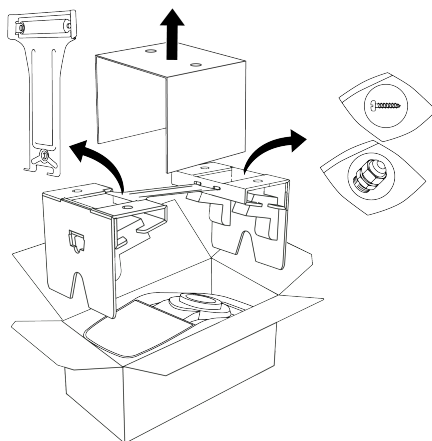
3. Open the station box.



4. Remove the three cardboard fillers, the wall bracket, and the installation kits.

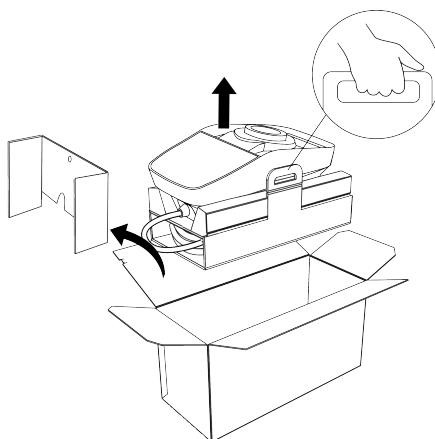
**Note**

To prevent damage, leave the charging station and the cable in the packaging until installation.

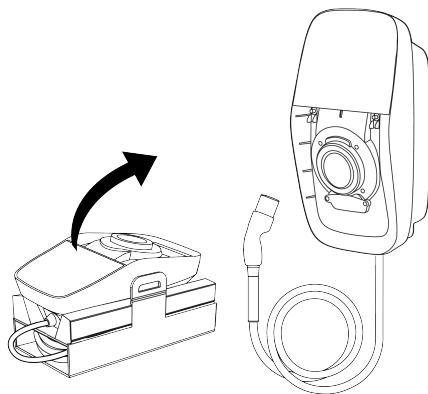


5. When the station can be installed on the wall bracket, remove the charging station from the packaging as follows:

- a. Remove the cardboard insert, then lift the cardboard packaging with the charging station and cable from the station box.



- b. Remove the charging station and the charging cable from the packaging.

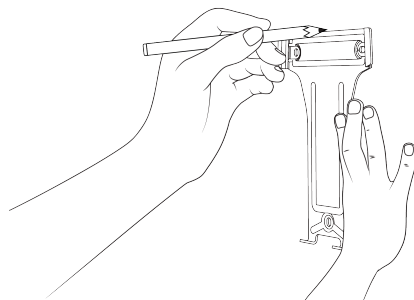


### 4.3. Install the wall bracket and charging station

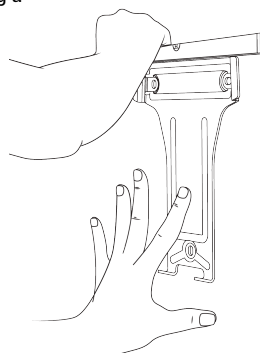
#### CAUTION

Follow the recommendations in [Plan for installation on page 13](#) when selecting a location and an installation height for the charging station, and when choosing a power cable entry.

1. Install the wall bracket as follows:
  - a. Mark the height of the top of the wall bracket.

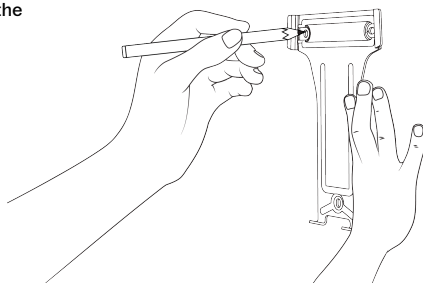


- b. Hold the wall bracket on the wall and level it using a spirit level.

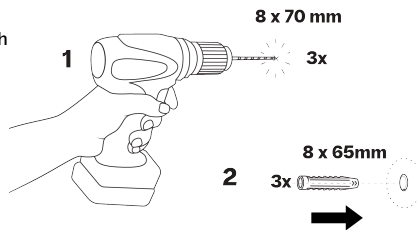


#### 4. Installation instructions

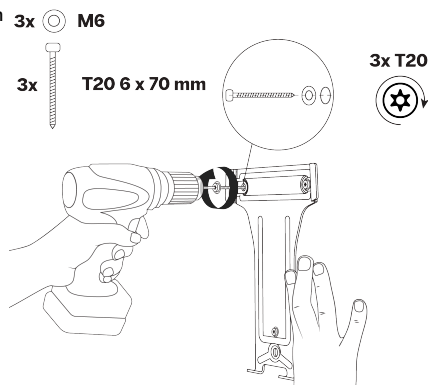
- c. Mark the three screw points on the wall. Remove the wall bracket.



- d. Drill an 8 mm hole to a depth of 70 mm at each screw point. Install an 8 x 65 mm wall plug in each hole.

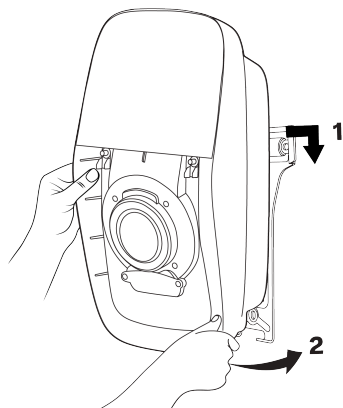


- e. Install the wall bracket using three T20 6 x 70 mm screws and M6 washers.



2. Install the charging station as follows:

- a. Engage the charging station with the top of the wall bracket, then rotate the charging station down to align the two lower screw holes.

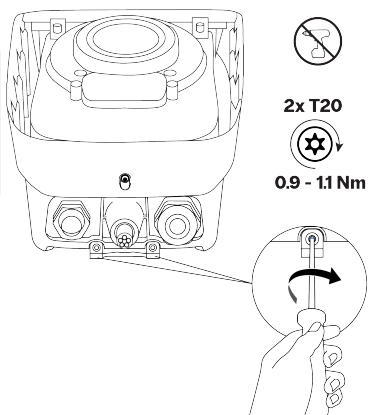


- b. Install two security Torx T20 screws to attach the charging station to the wall bracket.

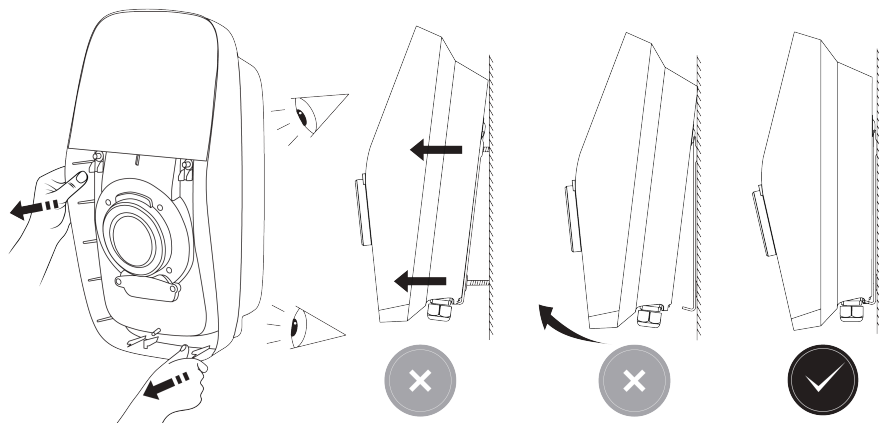
**CAUTION**

Using a power screwdriver with a high torque can damage the screws and components.

- Use only a low-torque screwdriver with the correct torque setting.



- c. Gently pull on the charging station to make sure it is securely attached to the wall bracket and to the wall.



#### 4.4. Connect the power cable

The charging station has two interchangeable cable glands:



- The installed cable gland is for a power cable with a sheath diameter of 13 to 25 mm.
- The cable gland kit is for a power cable with a sheath diameter of 12 to 20 mm.

The terminals accept a wire gage in the following range:

- Solid wire: maximum 16 mm<sup>2</sup>.
- Stranded wire with ferrule (without plastic sleeve): maximum 10 mm<sup>2</sup>.

The power cable can enter the charging station from the top or the bottom. The bottom cable entry A can be used in any location. The top cable entry B must only be used in a location where there is no risk of exposure to rain or moisture.

**⚠ CAUTION**

Follow the recommendations in [Plan for installation on page 13](#) when selecting the power cable entry point for the charging station.

**i Note**

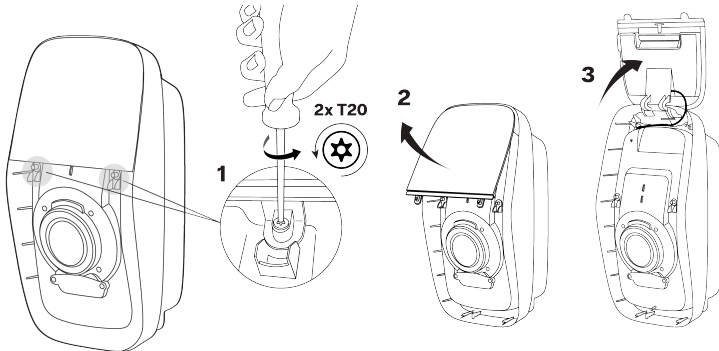
Communication cable entry is only through the bottom of the charging station.

**i Note**

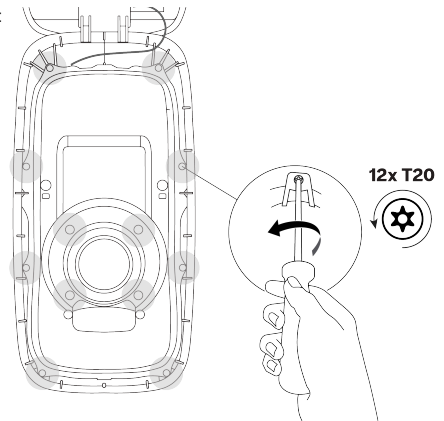
All security Torx T20 screws are captive. Do not fully remove the captive screws from the charging station.

1. Remove the inner cover as follows:

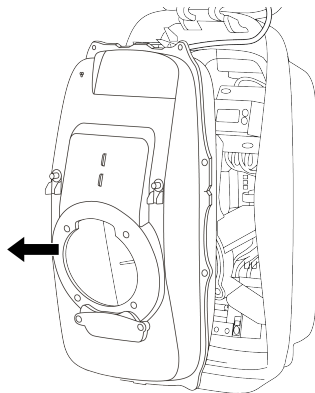
- a. Loosen the two Torx security T20 captive screws that secure the display cover. Fully open the display cover so it locks in the open position.



- b. Loosen the 12 Torx security T20 captive screws that attach the inner cover.

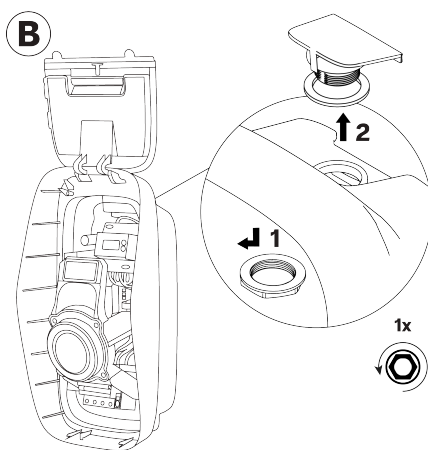


- c. Remove the inner cover.

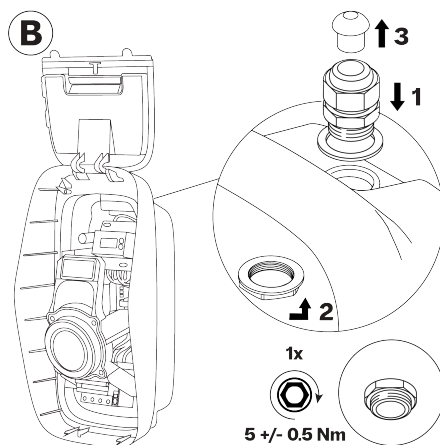


2. For top cable entry B: Prepare the top entry for the power cable as follows:

- a. Remove the nut that secures the cover on the top entry. Remove the cover. Keep the nut to use on the cable gland. Store the cover in the packaging.



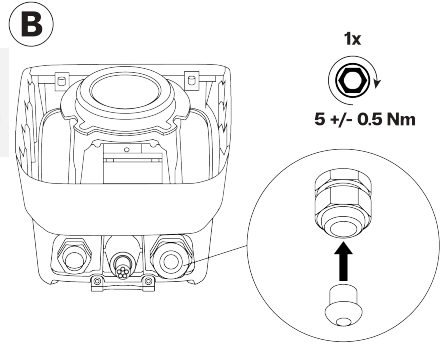
- b. Install the cable gland and seal in the top entry. Install and tighten the nut. Remove the blanking plug from the cable gland and keep it for later use.



- c. Install the blanking plug in the unused gland in the bottom of the charging station.

**⚠ CAUTION**

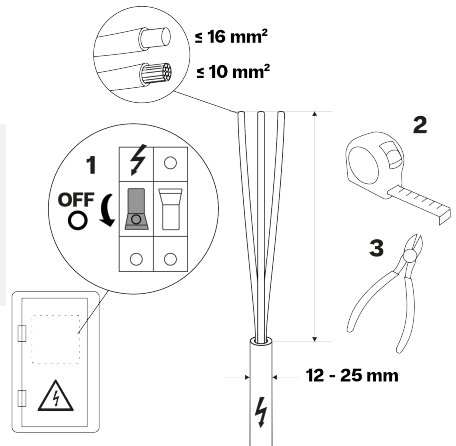
Make sure that the blanking plug is installed in the cable gland to maintain the IP code of the charging station.



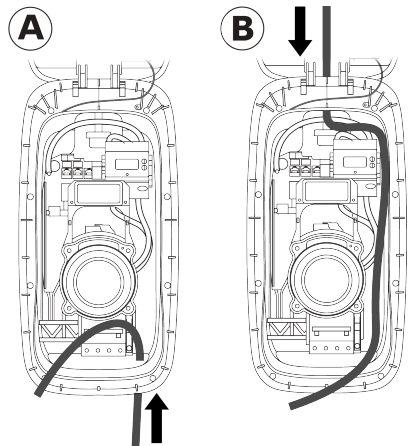
3. Cut the power cable and strip the outer sheath so the cable and its wires will have sufficient length to connect to the RCBO and PE terminal terminal block in the charging station. If required, install extra insulation on the individual wires.

**⚠ CAUTION**

To protect Separated Extra Low Voltage (SELV) circuits, the stripped single-insulated wires must not touch the components on the main board. When required, install double insulation on the individual wires, for example using heat-shrink tubing or insulation sleeves.



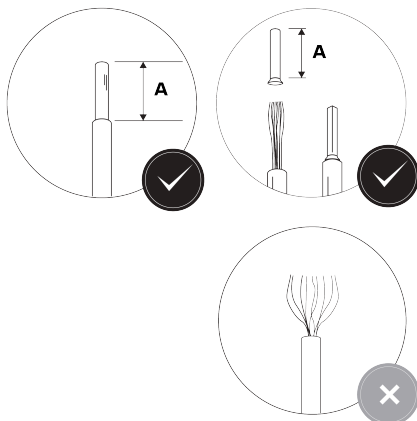
4. Feed the power cable into the charging station using bottom cable entry A or top cable entry B. Route the power cable to the connection points. Leave sufficient length to strip and connect the wires.



## 5. Strip the wire ends of the power cable:

- For an RCBO, A = 12 mm
- For a terminal block, A = 18 mm

When stranded wires are used, install wire end sleeves and apply a square crimp for optimal fit into the RCBO and the PE terminal block.



## 6. For a station with a built-in RCBO: Connect the power cable as follows:

**⚠ WARNING**

Incorrect connection of the power wires can result in the risk of electric shock, and thus cause damage to the charging station, and injury or death.

- Make sure that the power wires are securely connected.

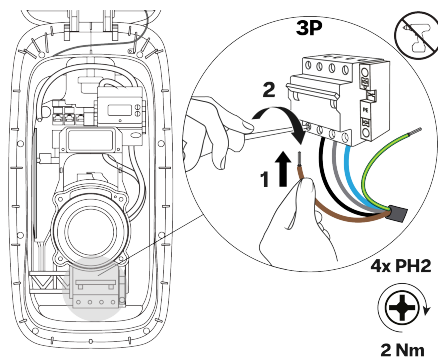
**i Note**

Connect the wires in accordance with the power supply wiring schematics in [Power supply requirements on page 15](#).

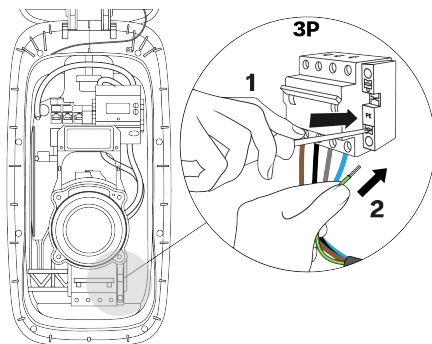
**i Note**

Type B RCBOs are installed upside down in the charging stations.

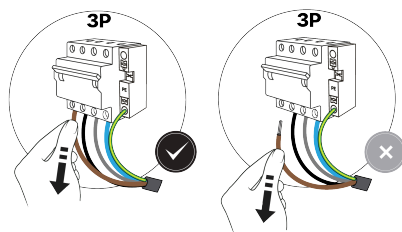
- a. Connect the wires of the power cable to the RCBO. Tighten the screws to secure the wires.



- b. Connect the PE wire of the power cable to the PE terminal block.



- c. Pull each wire to check that each wire is securely connected.



7. For a station with terminal blocks: Connect the power cable as follows:

**⚠ WARNING**

Incorrect connection of the power wires can result in the risk of electric shock, and thus cause damage to the charging station, and injury or death.

- Make sure that the power wires are securely connected.

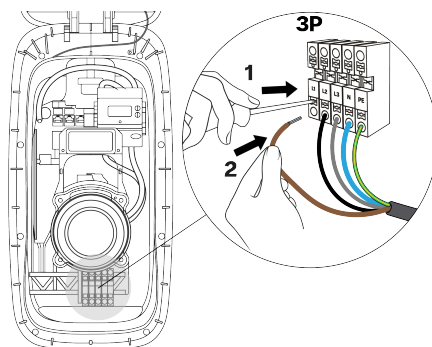
**i Note**

Connect the wires in accordance with the power supply wiring schematics in [Power supply requirements on page 15](#).

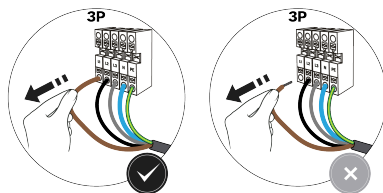
**i Note**

The illustrations show a 3-phase with neutral connection.

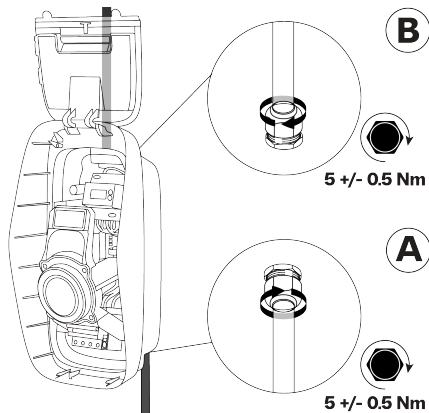
- a. Connect the wires of the power cable to the terminal blocks.



- b. Pull each wire to check that each wire is securely connected.



8. Tighten the cable gland to secure the power cable and to maintain the IP code for the charging station.



## 4.5. Charging station communication

Communication cable entry is only through the left cable gland in the bottom of the charging station. A maximum of four communication cables can enter the charging station through the gland.

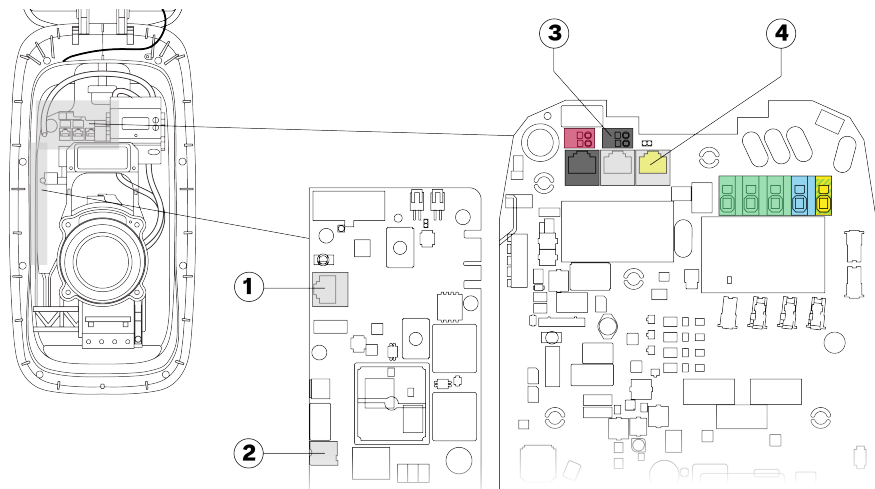
There are three options to connect the charging station to the Internet:

- Ethernet (recommended option)
- Wi-Fi (see [Configuration on page 40](#))
- Cellular (SIM card)

### Communication connections and components

#### **i** Note

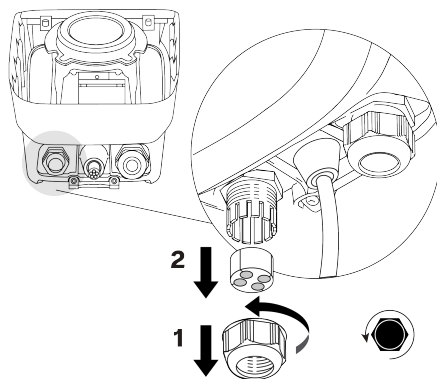
The communication connections and components used depend on the model of the charging station and the required functionality.



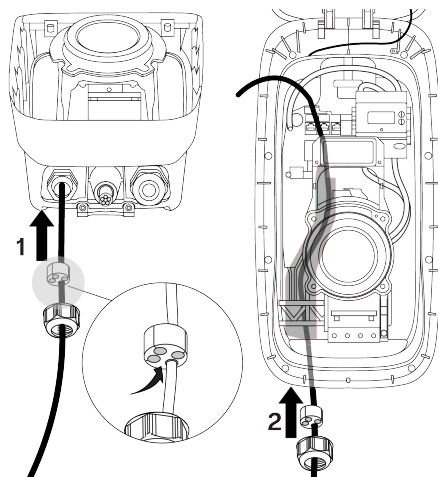
1. Ethernet socket for wired internet connection
2. Nano-SIM card slot for cellular internet connection
3. Terminals for active power control (only for Germany)
4. CT IN socket for dynamic load balancing

#### 4.5.1. Route communication cables

1. Remove the cable gland nut and seal from the left cable gland.



2. Feed the required communication cables through the cable gland nut and seal, then through the left cable gland in the bottom of the charging station. Feed the cables through the cable channel to the top of the charging station.



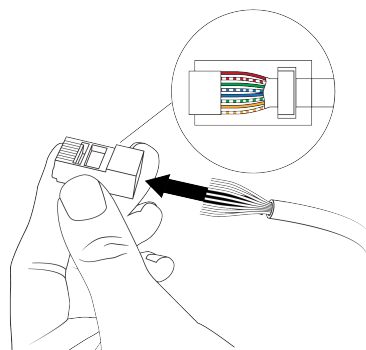
#### 4.5.2. Optional: Connect Ethernet cable for Internet

##### **i** Note

Use any network cable of Cat5 and above (Cat5, Cat5e, Cat6), with twisted pair wires.

- The use of shielded network cable is recommended but not mandatory.
- If a shielded cable is used, do not ground the shield.
- For outdoor installations, use a UV-stabilized network cable.
- Network cables can have a pre-installed RJ45 plug, or the RJ45 plug can be installed before or after routing the network cable into the charging station.

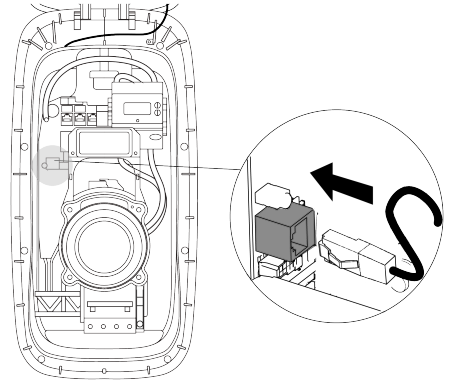
1. If an RJ45 plug is not pre-installed, install an RJ45 plug on the network cable.





## 4. Installation instructions

2. Connect the network cable RJ45 plug to the Ethernet socket on the communication board.

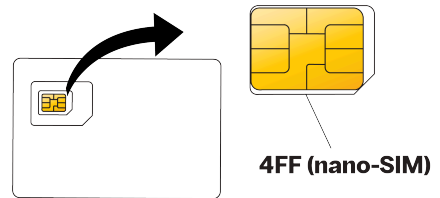


### 4.5.3. Optional: Install SIM card for Internet

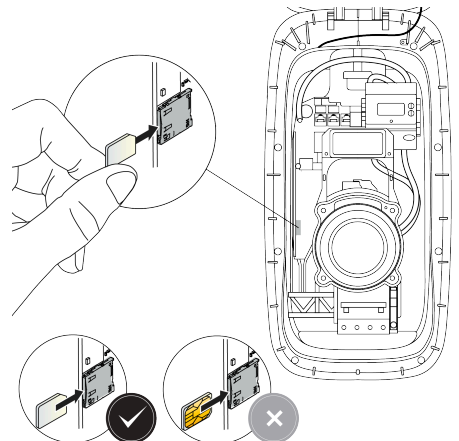
**Note**

Only certain SIM cards are supported.

1. Remove the 4FF (nano-SIM) SIM card from its card.



2. Push in and lock the 4FF (nano-SIM) SIM card in the slot in the communication board. The SIM card contacts must face the communication board.



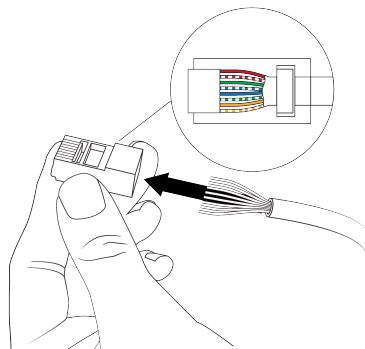
#### 4.5.4. Optional: Connect dynamic load balancing cable

##### Note

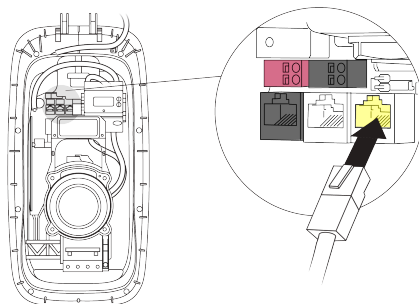
Use any network cable of Cat5 and above (Cat5, Cat5e, Cat6), with twisted pair wires.

- The use of shielded network cable is recommended but not mandatory.
- If a shielded cable is used, do not ground the shield.
- For outdoor installations, use a UV-stabilized network cable.
- Network cables can have a pre-installed RJ45 plug, or the RJ45 plug can be installed before or after routing the network cable into the charging station.

1. If an RJ45 plug is not pre-installed, install an RJ45 plug on the network cable.



2. Connect the network cable RJ45 plug to the CT IN socket.



#### 4.5.5. Only for applicable countries: Connect remote power control cable

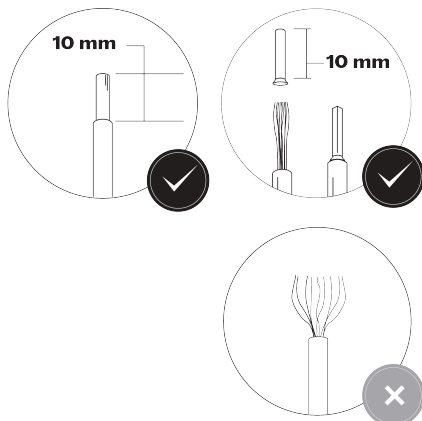
The terminal blocks accept a wire gauge in the following range:

- Solid wire: maximum 1.5 mm<sup>2</sup>.
- Stranded wire with ferrule (without plastic sleeve): maximum 1.5 mm<sup>2</sup>.

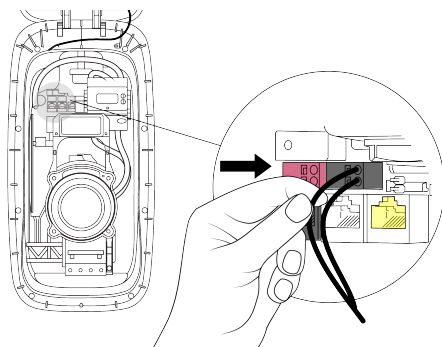
Use double-insulated cable that is resistant to temperatures of up to 90 °C.

#### 4. Installation instructions

- Strip the wire ends of the active power control cable.  
When stranded wires are used, install ferrules (without plastic sleeves) and apply a square crimp for optimal fit into the terminal blocks.



- Connect the active power control wires to the black terminal block (digital input 1).



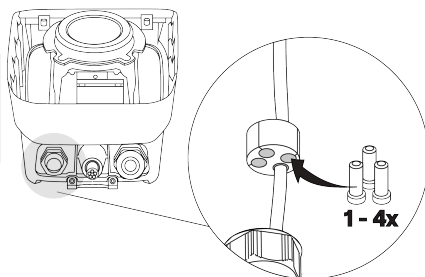
- Connect the other end of the active power control cable to a DSO control device with normally-open (NO) contacts.

#### 4.5.6. Tighten the cable gland

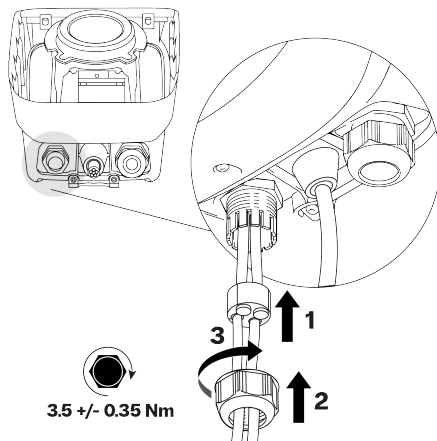
- Install blanking plugs in the unused entries in the cable gland seal.

##### **⚠ CAUTION**

Make sure that blanking plugs are in place in the unused entry points in the cable gland to maintain the IP code of the charging station.



2. Move the cable gland seal up into the cable gland, then tighten the cable gland to secure the network cables and blanking plugs.



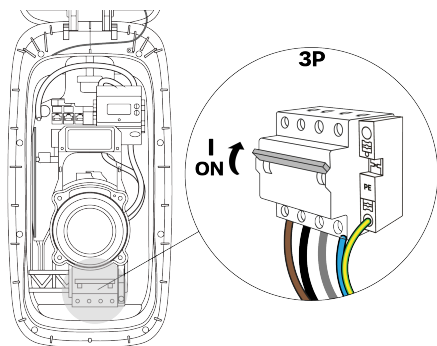
#### 4.6. Install the charging station covers

1. For a station with a built-in RCBO: In the charging station, make sure that the RCBO is switched on.

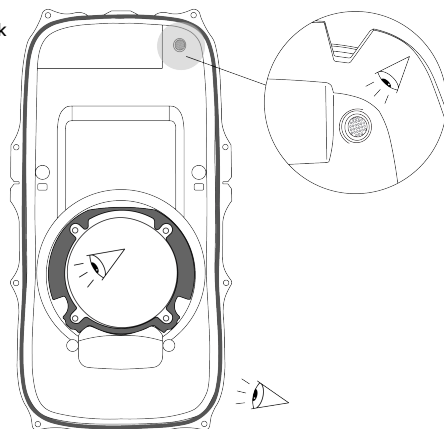


##### Note

Type B RCBOs are installed upside down in the charging stations. If the charging station has a Type B RCBO, the on and off directions are reversed.



2. Before installation, check the inner cover as follows:
  - a. On the inside, check that the inner cover seal and the center seal are clean and free of damage. Check that the venting membrane is secure and free of damage.

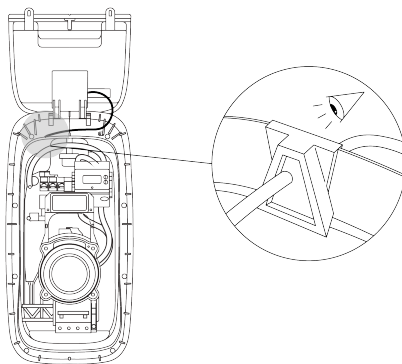


#### 4. Installation instructions

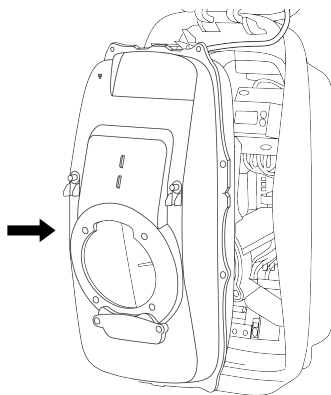
- b. On the outside, check that the three venting holes are not blocked by water, dust, or debris.



- 3. On the charging station, check that the feed-through seal for the display cable is correctly installed.



- 4. Install the inner cover as follows:
  - a. Engage the bottom of the cover below the center hole, then push the top of the cover into position.



- b. Tighten 12 security Torx T20 captive screws in the order shown to secure the inner cover.

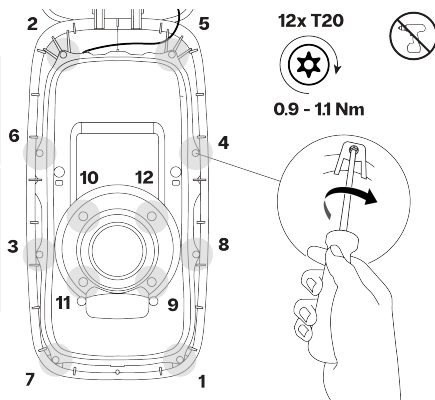
**⚠ CAUTION**

Risk of water ingress. Rain and moisture can enter the charging station if the screws are not tightened in the correct order.

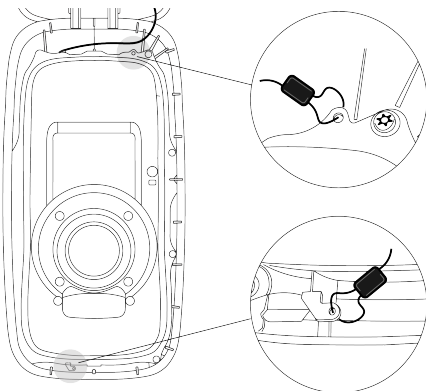
**⚠ CAUTION**

Using a power screwdriver with a high torque can damage the screws and components.

- Use only a low-torque screwdriver with the correct torque setting.



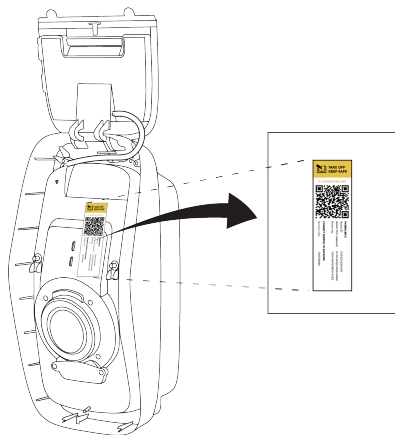
- c. Optional: Install two tamper-evident seals on the top right and bottom left corners of the inner cover.



5. Remove the sticker containing the charging station-specific information from the inner cover. Store the sticker with the charging station documentation. The information on the sticker is required during configuration.

**⚠ CAUTION**

To prevent unauthorized access to the charging station settings, do not leave the sticker with the charging station.



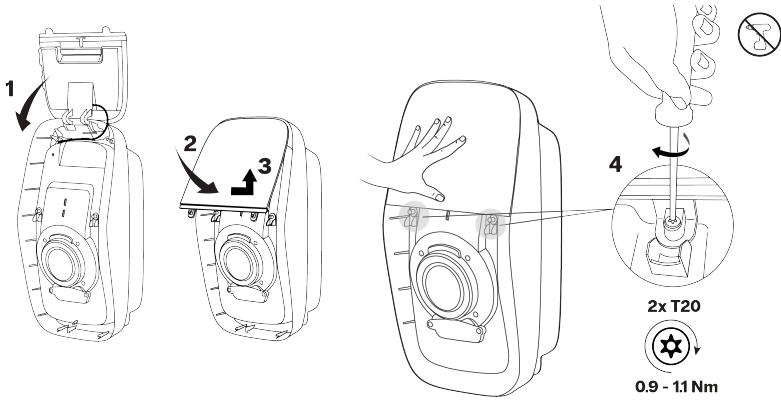
6. Install the display cover and the front cover as follows:

- a. Close the display cover and hold it closed. Secure the display cover using two security Torx T20 captive screws.

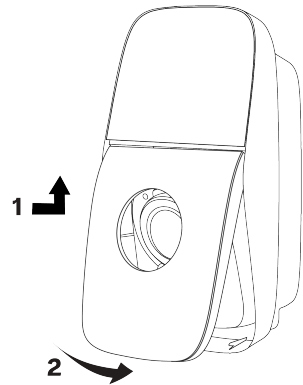
**⚠ CAUTION**

Using a power screwdriver with a high torque can damage the screws and components.

- Use only a low-torque screwdriver with the correct torque setting.



- b. Engage the top edge of the front cover under the bottom edge of the display cover, then rotate the cover down to align the lower screw hole.

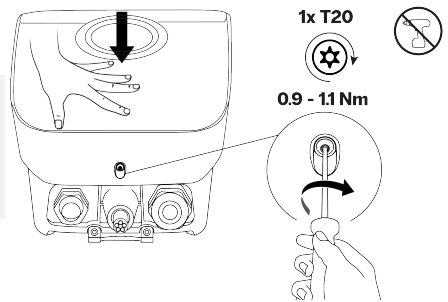


- c. Push the front cover against the spring. Tighten the security Torx T20 captive screw to secure the front cover on the charging station.

**⚠ CAUTION**

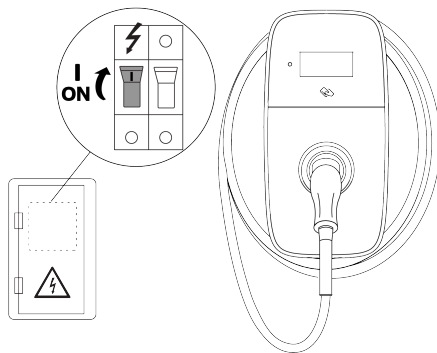
Using a power screwdriver with a high torque can damage the screws and components.

- Use only a low-torque screwdriver with the correct torque setting.



- Loosely wind the charging cable around the charging station for storage, and place the charging plug in the plug holder.

Switch on power to the charging station. The LED ring shows spinning white to indicate that the charging station is booting.



The charging station is now fully installed. The LED ring shows white, blinking on and off two times, to indicate that configuration can be started.

## 4.7. Configuration

For the charging station to function, it must be connected to the Internet. Once connected, it is recommended to activate the charging station on a Charging Management Platform (CMP) to fully benefit from all the charging station features and online support.

Configuration must be completed before the charging station can be used.

### 4.7.1. Configure the charging station

#### WARNING

Risk of electric shock, which can cause severe injuries or death. Only a qualified electrician is permitted to use the EVBox Install app to configure the charging station.

- Download and install EVBox Install App on your smartphone or tablet.



- Open EVBox Install App and follow the instructions in the app.

The charging station-specific information required for station configuration is on the sticker that was removed during installation.





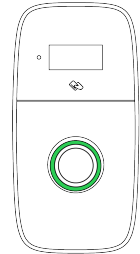
3. Using EVBox Install App, set the following key settings to ensure that the charging station operates safely:
  - Maximum charging current.
  - Internet connectivity.
  - Other configuration settings.

#### 4.7.2. Optional: Activate the charging station with CMP

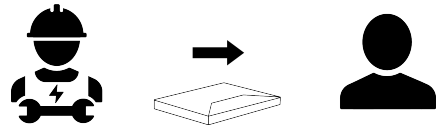
For an online charging station, the user must activate the charging station with the Charging Management Platform (CMP) on the CMP website or by using the CMP-specific app. Contact the Charging Point Operator (CPO) for details about the charging station activation procedure.

#### 4.7.3. Ready for use

The charging station is ready to charge an EV when the covers are installed on the charging station, the commissioning is completed, and the LED ring shows steady green



Hand over all documentation to the owner. The owner must retain all documentation delivered with the charging station in a safe place for the entire life cycle of the product.



## 5. User instructions

### DANGER

Not following the user instructions given in this manual will result in the risk of electric shock, which will cause severe injury or death.

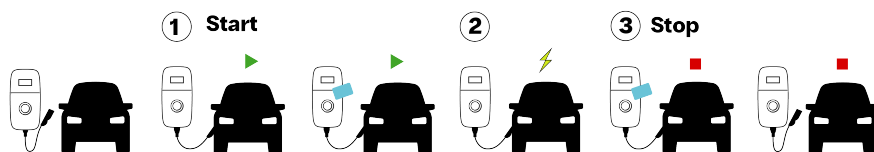
- Read the safety precautions and the user instructions in this manual before using the charging station.
- If you are unsure about how to use the charging station, contact your reseller for more information.

### 5.1. Start and stop a charging session

#### Note

Charging session instructions are also shown on the display.

1. Start charging:
  - Take the plug from the charging station dock, then fully unwind the charging cable from around the charging station.
  - Connect the charging cable to your vehicle.
  - If you use a charge card or key fob, hold it in front of the reader on the charging station to start charging.\*
2. Your vehicle is charging.
3. Stop charging:
  - If you use a charge card or key fob\*\*, hold it in front of the reader on the charging station to stop charging.\*
  - Disconnect the charging cable from your vehicle.
  - Wind the charging cable around the charging station, then place the plug into the dock.



\* When the charging station is configured to only accept charge cards or key fobs.

\*\* You must use the same charge card or key fob that you used to start the charging session.

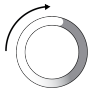







## 5.2. Status indication


### Note

The status of the charging station is also shown on the display.

### Note

Some features and status indications are not available on all models.

LED ring	Color	State description
	White (spinning)	Charging station is starting, or software is updating.
	White (blinking)	Charging station is waiting for configuration using EVBox Install App.
	Green (constant)	Idle. Charging station is ready to charge.
	Red (constant)	Authentication not accepted. Indication changes to Green after 5 seconds.
	Blue (constant)	<ul style="list-style-type: none"> <li>Charging station is waiting for vehicle.</li> <li>Charging is paused.</li> </ul>
	Blue (filling from bottom)	The vehicle is charging.
	Green (blinking)	The charging session is complete. The vehicle can be disconnected from the charging station.
	Orange (constant)	Charging is slow or paused because of high temperature. Charging will resume automatically.

LED ring	Color	State description
	Orange (blinking)	Charging session has failed. Disconnect the vehicle and try again.

### 5.3. Maintenance by user

The user of the charging station is responsible for the condition of the charging station, whereby both the law regarding the safety of persons, animals, and property must be observed, as well as the installation regulations in force in the country of use. Have the charging station and its installation inspected by a qualified electrician on a regular basis and in compliance with installation regulations applicable in your country.

#### DANGER

Extensive exposure of the charging station to water will result in the risk of electric shock, which will cause severe injury or death.

- Do not direct powerful jets of water toward or onto the charging station.
- Do not put the charging plug into any liquid.

#### CAUTION

Do not use aggressive chemical cleaners or solvents to clean the charging station.

1. Remove dirt and natural organic matter from the outside of the charging station using a damp soft cloth. Make sure that the display, the LED ring and the light sensor are clean.
2. Visually check the charging station, the charging cable and the charging plug. If you suspect that the charging station, cable or plug are damaged or dirty, contact a qualified electrician to repair or replace the damaged components.
3. Gently pull on the charging station to make sure it is still securely installed. Make sure that the station outer cover is secure. If the charging station or the cover is loose, contact a qualified electrician to correctly re-install the station.

### 5.4. Log in to the charging station

Using a Wi-Fi enabled smartphone, tablet, or laptop, the user can log in to the charging station to change settings such as Wi-Fi, and view the software licenses. For instructions, see [help.evbox.com](http://help.evbox.com).


## 6. Troubleshooting


#### DANGER

Servicing and repair of this charging station by a non-qualified person will result in the risk of electric shock, which will cause severe injury or death.

- Only a qualified electrician is permitted to service or repair the charging station.
- The user must not attempt to service or repair the charging station as it does not contain user-serviceable parts.

### 6.1. Error indication

LED ring	Color	State description	Action
	Red (constant)	An error has occurred.	Follow the instructions shown on the display.

LED ring	Color	State description	Action
	Off	The power supply has failed.	Check the power supply to the station. Reset the MCB or RCD in the power supply cabinet. For a station with a built-in RCBO, check if the RCBO is open (see <a href="#">Access the RCBO on page 44</a> ).

**Note**

Some error states are solved by switching the power off and on again.

- For stations without a built-in RCBO, switch the power off and on again at the power supply cabinet.
- For stations with a built-in RCBO, switch the power off and on again using the RCBO

(see [Access the RCBO on page 44](#)).

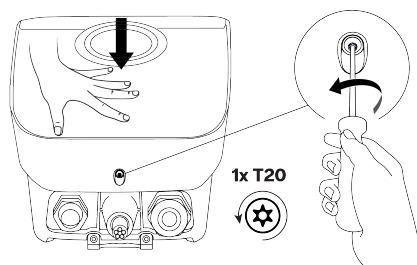
## 6.2. Access the RCBO

This procedure is only applicable for charging stations that have an built-in RCBO. The RCBO is accessible through an access cover located on the inner cover. Before starting this procedure, make sure that power is being supplied to the charging station.

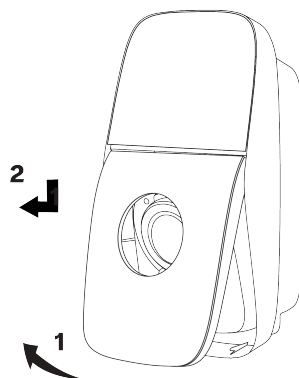
**Note**

All security Torx T20 screws are captive. Do not fully remove the captive screws from the charging station.

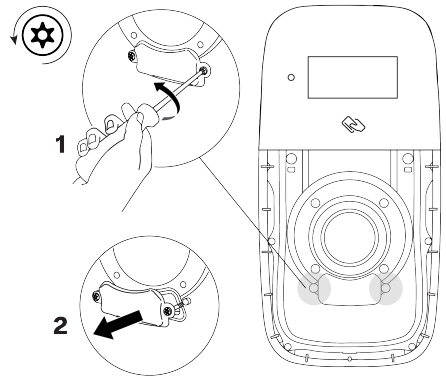
1. If an EV is connected to the charging station, disconnect the EV.
2. Push the front cover against the spring, then loosen one security Torx T20 captive screw that secures the front cover on the charging station.



3. Rotate the front cover up, then disengage the top edge of the front cover from under the bottom edge of the display cover.



4. Loosen two security Torx T20 captive screws. Remove the RCBO cover from the inner cover.

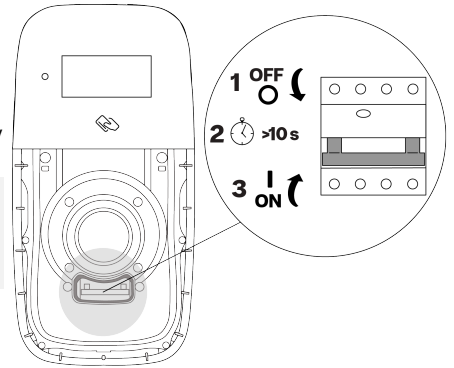


5. To switch the charging station off and then on again, switch off the RCBO, wait 10 seconds, then switch on the RCBO.

The LED ring shows spinning white to indicate that the charging station is booting. The charging station is ready to charge an EV when the LED ring shows steady green.

**Note**

Type B RCBOs are installed upside down in the charging stations. If the charging station has a Type B RCBO, the on and off directions are reversed.

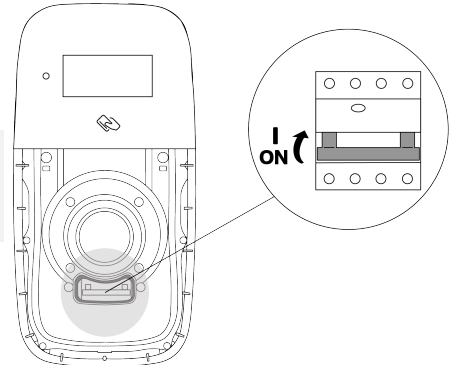


6. For an open RCBO, move the RCBO switch down.

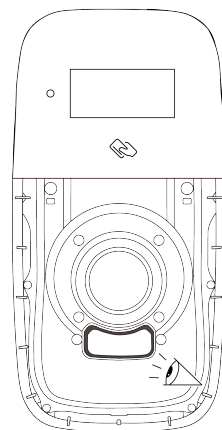
The LED ring shows spinning white to indicate that the charging station is booting. The charging station is ready to charge an EV when the LED ring shows constant green.

**Note**

Type B RCBOs are installed upside down in the charging stations. If the charging station has a Type B RCBO, the on and off directions are reversed.



7. Check that the seal on the inner cover is clean and free of damage.

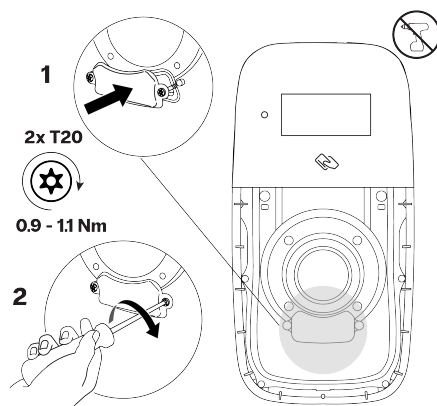


8. Install the RCBO cover on the inner cover. Tighten two security Torx T20 captive screws.

**⚠ CAUTION**

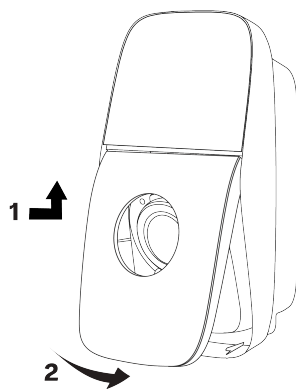
Using a power screwdriver with a high torque can damage the screws and components.

- Use only a low-torque screwdriver with the correct torque setting.



9. Install the front cover as follows:

- a. Engage the top edge of the front cover under the bottom edge of the display cover, then rotate the cover down to align the lower screw hole.

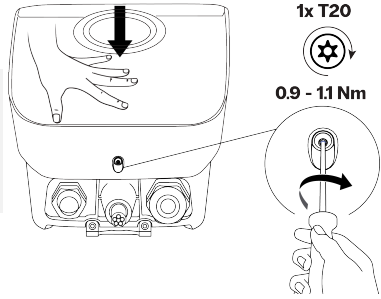


- b. Push the front cover against the spring. Tighten the security Torx T20 captive screw to secure the front cover on the charging station.

**⚠ CAUTION**



Using a power screwdriver with a high torque can damage the screws and components.

- Use only a low-torque screwdriver with the correct torque setting.



## 7. Decommissioning

Decommission and recycle the charging station in accordance with the applicable local disposal regulations.

	Do not dispose of this charging station in household waste. Instead, dispose of this charging station at a local collection point for electric/electronic devices in order to enable recycling and thus avoid negative and hazardous impacts on the environment. Ask your city or local authorities for respective addresses.
	Recycling of materials saves raw materials and energy and makes a major contribution to conserving the environment.



FR

Cet appareil  
et ses accessoires  
se recyclent

À DÉPOSER  
EN MAGASINÀ DÉPOSER  
EN DÉCHÈTERIE

OU

Points de collecte sur [www.quefairedemesdechets.fr](http://www.quefairedemesdechets.fr)  
Privilégiez la réparation ou le don de votre appareil !

## 8. Appendix

### 8.1. Glossary

Abbreviation	Meaning
1P	1-phase power supply (input and output). The station rating is shown on the bottom of the station.
3P	3-phase power supply (input and output). The station rating is shown on the bottom of the station.
AC	Alternating Current.
CMP	Charging Management Platform. The backend platform that links a charging station to the CPO.
CPO	Charging Point Operator. The owner and/or operator of the charging station installation.
DSO	Distribution System Operator. The operator responsible for the electrical power supply network.
ESD	Electrostatic discharge.
EV	Electric vehicle.
IK	Impact protection.
IP	Ingress Protection.
RF	Radio Frequency communication.
LAN	Local Area Network.
LED	Light Emitting Diode.
MCB	Miniature Circuit Breaker.
OCPP	Open Charge Point Protocol.
PE	Protective earth or ground.
RCBO	Residual Current Breaker with Over-Current.

Abbreviation	Meaning
RCD	Residual Current Device.

## 8.2. EU Declaration of Conformity

EVBox B.V. declares that the radio equipment type EVBox Liviqo is in compliance with Directive 2014/53/EU. The full text of the EU Declaration of Conformity is available at [help.evbox.com](http://help.evbox.com).

### Regulatory Information

Technology	Frequency bands	Max. output power
GSM 900	890 MHz – 915 MHz	27.77 dBm
GSM 1800	1710 MHz – 1785 MHz	24.77 dBm
LTE Band 3	1710 MHz – 1785 MHz	28.48 dBm
LTE Band 8	880 MHz – 915 MHz	28.48 dBm
LTE Band 20	832 MHz – 862 MHz	28.48 dBm
LTE Band 28	703 MHz – 748 MHz	28.48 dBm
WLAN (802.11b/g/n)	2412 MHz – 2484 MHz	16.79 dBm
WLAN (802.11a/n/ac)	5150 MHz – 5250 MHz	16.63 dBm
WLAN (802.11a/n/ac)	5725 MHz – 5850 MHz	11.46 dBm
RFID	13.56 MHz	19.00 dBm



# EVBox Liviqo

## Cable



# Indholdsfortegnelse

1. Indledning	53
1.1. Vejledningens omfang	53
1.2. Symboler, der anvendes i denne vejledning	53
1.3. Ikoner, der anvendes i denne vejledning	53
1.4. Certificering og overensstemmelse	54
2. Sikkerhed	54
2.1. Sikkerhedsregler	54
2.2. Forholdsregler i forbindelse med flytning og opbevaring	56
3. Produktfunktioner	57
3.1. Beskrivelse	57
3.2. Tekniske specifikationer	57
3.3. Leverede komponenter	59
4. Installationsvejledning	59
4.1. Forberedelse af installation	59
4.1.1. Plan for installation	59
4.1.2. Nødvendige værktøjer	61
4.1.3. Strømforsyningskrav	61
4.1.4. Valgfrit: Load Management	64
4.1.5. Valgfrit: Klynge belastningsudligning.	64
4.1.6. Kun for gældende lande: Fjernbetjening af strømmen via DSO	66
4.2. Udpakning	66
4.3. Installer vægbeslaget og ladestationen	68
4.4. Tilslut strømkablet	70
4.5. Ladestationskommunikation	76
4.5.1. Lægning af kommunikationskabler	77
4.5.2. Valgfrit: Forbind ethernetkabel til internet	78
4.5.3. Valgfrit: Installer sim-kort til internet	79
4.5.4. Valgfrit: Tilslut et dynamisk Load Management-netværkskabel	80
4.5.5. Kun for gældende lande: Tilslut kabel til fjernbetjening af strømstyring	80
4.5.6. Stram kabelpakningen	81
4.6. Monter covers til ladestationen	82
4.7. Konfiguration	86
4.7.1. Konfigurer ladestationen	86
4.7.2. Valgfrit: Aktiver ladestationen med CMP	87
4.7.3. Klar til brug	87
5. Brugervejledninger	87
5.1. Start og stop af en ladesession	87
5.2. Statusindikation	88
5.3. Vedligeholdelse udført af brugeren	89
5.4. Log ind på ladestationen	89
6. Fejlfinding	89
6.1. Fejlindikation	89
6.2. Tilgå RCBO	90
7. Nedlukning	93
8. Tillæg	93
8.1. Ordliste	93



# 1. Indledning

Denne installations- og brugervejledning fortæller dig, hvordan du installerer ladestationen og gør den klar til brug. Du skal læse sikkerhedsoplysningerne grundigt, før du starter.

## 1.1. Vejledningens omfang

Vejledningen til installation og konfiguration i denne manual er beregnet til kvalificerede installatører, som kan vurdere arbejdet og identificere potentielle farer.

Anvisningerne til brugere er beregnet til brugere af ladestationer.

Opbevar al dokumentation, der er leveret sammen med ladestationen, på et sikkert sted i hele produktets livscyklus. Videresend al dokumentation til alle efterfølgende ejere eller brugere af produktet.

Alle EVBox-vejledninger kan downloades fra [evbox.com/manuals](http://evbox.com/manuals).

### Ansvarsfraskrivelse

Dette dokument er kun udarbejdet til informationsformål og udgør ikke et bindende tilbud eller en kontrakt med EVBox. EVBox har udarbejdet dette dokument efter dets bedste viden. Der gives ingen udtrykkelig eller underforstået garanti for fuldstændigheden, nøjagtigheden, pålideligheden eller egnetheden til specifikt formål med dets indhold og de produkter og tjenester, der præsenteres deri. Specifikationer og ydelsesdata indeholder gennemsnitlige værdier inden for eksisterende specifikationstolerancer, og kan ændres uden forudgående varsel. EVBox afviser udtrykkeligt ethvert ansvar for enhver direkte eller indirekte skade, i bredeste forstand, der opstår fra eller relateret til brugen eller fortolkningen af dette dokument.

© EVBox. Alle rettigheder forbeholdt. EVBox-navnet og EVBox-logoet er varemærker tilhørende EVBox B.V eller et af dets datterselskaber. Ingen del af dette dokument må ændres, reproduceres, behandles eller distribueres i nogen som helst form eller på nogen som helst måde uden forudgående skriftlig tilladelse fra EVBox.

EVBox Manufacturing B.V.

Kabelweg 47

1014 BA Amsterdam

Nederlandene

[help.evbox.com](http://help.evbox.com)

## 1.2. Symboler, der anvendes i denne vejledning

### Symboler, der anvendes i denne vejledning

#### FARE!

Angiver en nært forestående farlig situation med et højt risikoniveau, som, hvis faren ikke undgås, vil medføre dødsfald eller alvorlig personskade.

#### ADVARSEL

Angiver en potentielt farlig situation med et moderat risikoniveau, som, hvis advarslen ikke efterleves, kan medføre dødsfald eller alvorlig personskade.

#### PAS PÅ

Angiver en potentielt farlig situation med et mellemhøjt risikoniveau, som, hvis forsigtighedsadvarslen ikke efterleves, kan medføre let eller moderat personskade eller beskadigelse af udstyret.

#### Bemærk

Bemærkningerne indeholder nyttige forslag eller henvisninger til oplysninger, der ikke er indeholdt i denne vejledning.

1., a. eller i. Handling, der skal udføres i den angivne rækkefølge.

## 1.3. Ikoner, der anvendes i denne vejledning



Vælg en funktion



Installatør



Bruger



Kontroller visuelt



Kun til brug på et tørt sted



Brug ikke en elektrisk skruetrækker



Vekselstrømforsyning

## 1.4. Certificering og overensstemmelse

	Ladestationen er blevet CE-certificeret af producenten, og bærer CE-mærket. Den relevante overensstemmelseserklæring kan fås fra producenten.
	Elektriske og elektroniske apparater, herunder tilbehør, skal bortskaffes adskilt fra det almindelige husholdningsaffald.
	Genanvendelse af materialer sparer råvarer og energi og bidrager i høj grad til at bevare miljøet.



FR

Cet appareil et ses accessoires se recyclent

À DÉPOSER EN MAGASIN

À DÉPOSER EN DÉCHÈTERIE

OU

Points de collecte sur [www.quefairede mesdechets.fr](http://www.quefairede mesdechets.fr)  
Privilégiez la réparation ou le don de votre appareil !

### Bemærk

Se [EU-overensstemmelseserklæring på side 94](#) for overensstemmelseserklæringen for dette produkt.

## 2. Sikkerhed

### 2.1. Sikkerhedsregler

#### FARE!

Hvis installationsinstruktionerne og instruktionerne til brugeren i denne vejledning ikke følges, vil det føre til risiko for elektrisk stød, som vil medføre alvorlig personskade eller dødsfald.

- Læs denne vejledning, før du installerer eller bruger ladestationen.

#### FARE!

Installation, servicering, reparation eller flytning af denne ladestation, udført af en ikke-kvalificeret person, vil medføre risiko for elektrisk stød, hvilket kan medføre alvorlig personskade eller dødsfald.

- Det er kun en kvalificeret elektriker, der har tilladelse til at installere, servicere, reparere og flytte ladestationen.
- Brugen må ikke forsøge at servicere eller reparere ladestationen, fordi den ikke indeholder dele, der må serviceres af brugeren.
- Lokal lovgivning kan være gældende og kan variere afhængigt af området eller landet, produktet bruges i. Den kvalificerede elektriker skal altid sikre, at ladestationen er installeret i henhold til lokale regler.

#### FARE!

Arbejde på elektriske installationer uden de korrekte forholdsregler vil resultere i risiko for elektrisk stød, der kan forårsage alvorlige kvæstelser eller dødsfald.

- Sluk for indgangseffekten, før du installerer ladestationen.
- Tænd ikke for ladestationen, hvis den ikke er helt indstillet eller ikke er sikker.
- Installer ikke en ladestation, der er defekt eller har en synlig fejl.

#### FARE!

Hvis ladestationen udsættes for vand i større omfang, er der risiko for elektrisk stød, hvilket kan medføre alvorlig personskade eller død.

- Ret ikke kraftige vandstråler mod eller på ladestationen.
- Anbring ikke ladekontakten i nogen form for væske.

### **FARE!**

Brug af ladestationen, når den er beskadiget eller slidt, er der risiko for elektrisk stød, hvilket kan medføre alvorlig personskade eller død.

- Betjening af ladestationen, hvis strømforsyningen, kabinettet eller et EV-stik er ødelagt, revnet, åbent eller viser andre tegn på skader.
- Betjen ikke ladestationen, hvis et ladekabel er flosset, har brudt isolering eller viser andre tegn på skade.
- I tilfælde af fare og/eller uheld skal strømforsyningen til ladestationen straks afbrydes.
- Kontakt din installatør, hvis du har mistanke om, at ladestationen er beskadiget.

### **ADVARSEL**

Installation af ladestationen under våde miljøforhold (f.eks. regn eller tåge) kan resultere i risiko for elektrisk stød og beskadigelse af produktet, hvilket kan forårsage alvorlige kvæstelser eller dødsfald.

- Installer eller åbn ikke ladestationen i våde miljøforhold (f.eks. regn eller tåge).

### **ADVARSEL**

Forkert brug af ladestationen kan medføre risiko for elektrisk stød, som kan forårsage personskade eller dødsfald.

- Kontrollér altid, at ladekontaktens kontaktområde er fri for snavs og fugt, før en ladesession startes.
- Sørg for, at ladekablet er placeret således, at det ikke bliver trådt på, snublet over, kørt over eller på anden måde udsættes for stor kraft eller beskadigelse. Hvor det er relevant, skal du sørge for, at ladekablet er korrekt opbevaret, når det ikke er i brug. Sørg for, at ladekablets kontakt ikke rører jorden.
- Træk kun i ladestikkets greb og aldrig i selve ladekablet.
- Hold ladestationen, ladekablet og stikket væk fra varmekilder, snavs og vand.
- Brug ikke spræng- eller brandfarlige stoffer nær ladestationen.

### **ADVARSEL**

Brug af adaptere, konverteringsadaptere eller forlængerledninger med ladestationen kan medføre tekniske inkompatibiliteter og kan medføre beskadigelse af ladestationen, hvilket kan medføre personskade eller dødsfald.

- Denne ladestation må kun bruges til at oplade kompatible elektriske køretøjer. Se specifikationerne for ladestationen i denne vejledning vedrørende oplysninger herom.
- Se dit køretøjs brugervejledning for at kontrollere, om dit køretøj er kompatibelt.

### **ADVARSEL**

At udsætte ladestationen eller ladekablet for varme eller brændbare stoffer kan resultere i beskadigelse af ladestationen, hvilket kan forårsage personskade eller død.

- Sørg for, at ladestationen og ladekablet aldrig kommer i kontakt med varme.
- Brug ikke spræng- eller brandfarlige stoffer nær ladestationen.

### **ADVARSEL**

Brug af ladestationen under forhold, der ikke er specificeret i denne vejledning, kan resultere i beskadigelse af ladestationen, hvilket kan forårsage personskade eller død.

- Brug kun ladestationen under de driftsbetingelser, der er specificeret i denne vejledning.

### **ADVARSEL**

Arbejde på elektriske installationer uden brug af personlige værnemidler kan medføre risiko for personskade.

- Brug personlige værnemidler, såsom øjenværn, snitbestandige handsker og skridsikre sikkerhedssko for at forhindre personskade.

**⚠ ADVARSEL**

I tilfælde af brand kan manglende overholdelse af instruktionerne om brandslukning medføre øget fare, hvilket kan medføre personskade eller død.

- Når det er sikkert at gøre det, skal den elektriske forsyning til det udstyr, der brænder eller er truet af brand, afbrydes.
- Brug ikke vand til at slukke brand i elektriske installationer og udstyr, der har en aktiv strømforsyning.
- Hvis du vil slukke en brand i en ladestation, skal du bruge en brandslukker, der er godkendt til brug på elektrisk udstyr med en nominal spænding på op til 1 kV.

**⚠ PAS PÅ**

Opladning af et køretøj, mens ladekablet ikke er helt rullet ud, kan medføre overophedning af kablet, hvilket kan beskadige ladestationen.

- Før du tilslutter ladekablet til køretøjet, skal du rulle ladekablet helt ud, så det ikke har overlappende løkker.

**⚠ PAS PÅ**

Hvis fingre sættes ind i, eller andre ting efterlades i kontakten (f.eks. under rengøring), kan det forårsage personskade eller beskadigelse af ladestationen.

- Stik ikke fingrene ind i kontaktens åbning.
- Lad ikke ting sidde i kontaktens åbning.

**⚠ PAS PÅ**

Manglende forholdsregler mod ESD (elektrostatisk afladning) kan beskadige elektroniske komponenter i ladestationen.

- Tag de nødvendige forholdsregler mod ESD, før du berører elektroniske komponenter.

**⚠ PAS PÅ**

Hvis du ikke aktiverer firmwareopdateringer for denne ladestation eller deaktiverer, fravælger eller på anden måde undlader at installere tilgængelige firmwareopdateringer, kan det medføre, at ladestationen støder på problemer, fungerer med fejl og er mere udsat for sikkerheds- eller sikkerhedsrisici.

## 2.2. Forholdsregler i forbindelse med flytning og opbevaring

Overhold de følgende retningslinjer ved flytning og opbevaring af ladestationen:

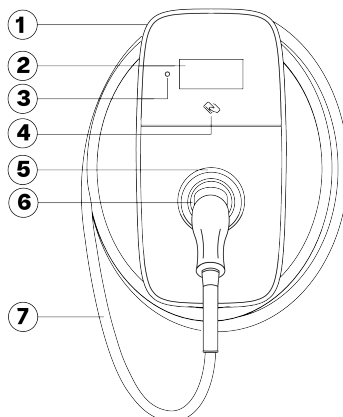
- Løft aldrig ladestationen i ladekablet.
- Afbryd indgangseffekten, før du fjerner ladestationen i forbindelse med opbevaring eller flytning.
- Transporter og opbevar kun ladestationen i originalemballagen. Der påtages intet ansvar for skader, der opstår, når produktet transporteres i emballage der ikke er standard.
- Opbevar ladestationen i et tørt miljø inden for de temperatur- og fugtighedsintervaller, som er angivet i de tekniske specifikationer. (se [Tekniske specifikationer på side 57](#)).



## 3. Produktfunktioner

### 3.1. Beskrivelse

- Ladestation**  
Ladestationen forsyner elbilen (EV) sikkert med elektrisk strøm fra nettet.
- Skærm**  
Skærmen viser brugeren de nødvendige trin og viser oplysninger om ladesessionen.
- Lys- og nærhedssensor**  
Lysensoren måler lysintensiteten til automatisk at justere lysstyrken på displayet og LED-ringene. Nærhedssensoren aktiverer displayet, så snart en person er tæt på ladestationen.
- RFID-læser**  
Dette er området, hvor du kan scanne dit ladekort eller din nøglebrik for at starte eller stoppe en ladesession.
- LED-ring**  
LED-ringene angiver status for ladestationen.
- Dock**  
Docken holder stikket til ladekablet, når ladekablet ikke er i brug.
- Ladekabel**  
Ladekablet forbinder ladestationen med EV'en. Ladekablet opbevares tæt på stationen, når kablet ikke er i brug.



### 3.2. Tekniske specifikationer

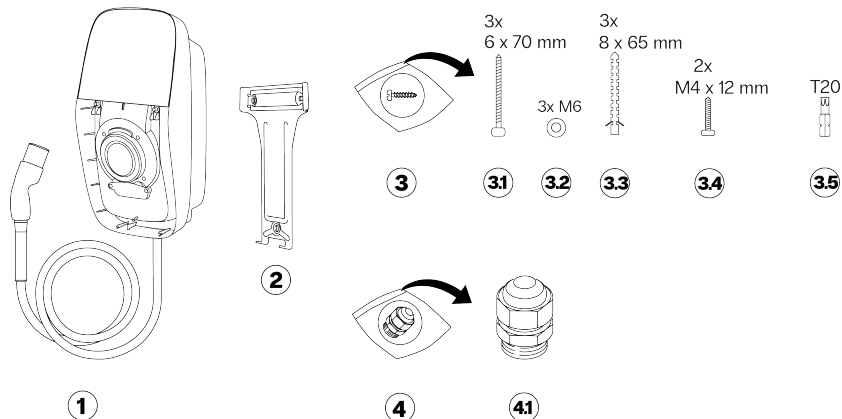
Funktion	Beskrivelse
<b>Elektriske egenskaber</b>	
Maksimal ladehastighed	Op til 22 kW (3-fase, 32 A) <b>i Bemærk</b> Belastningsreduktion kan forekomme. Ladehastigheden afhænger af faktorer som behovet fra EV, den tilgængelige strømforsyning og omgivende temperatur.
Ladetilstand	Tilstand 3 (IEC 61851-1)
Fastgjort ladekabel	Type 2-stik (IEC 62196-1, IEC 62196-2)
Længde af ladekabel	6 m
kWh måler	MID-godkendt med klasse B nøjagtighed (EN-50470) Eichrecht-kompatibel måler <sup>(1)</sup>
Indgangskapacitet	6 – 32 A konfigurerer 1-fase, 230 V ±10 %, maksimalt 32 A ±6 %, 50/60 Hz 3-fase, 400 V ±10 %, maksimalt 32 A ±6 %, 50/60 Hz
Diameter af strømkablets hylster	12 til 25 mm
Ledningsføring af strømkabel	Fast ledning: maksimalt 16 mm <sup>2</sup> Snoet ledning med samling (uden plastikhætte): højst 10 mm <sup>2</sup>
Nominal spænding impuls kan modstå (U <sub>imp</sub> )	4000 V

Funktion	Beskrivelse
Nominel isoleringsspænding (U <sub>i</sub> )	250 V AC (fase til jord) 450 V AC (fase til fase)
Lækstrømsdetektering	Udløsningsstider- og grænser er i overensstemmelse med IEC 61851-1:2017 Cl. 8.5. (Ifølge IEC 62955:2018 tabel 2). Se <a href="#">Strømforsyningskrav på side 61</a> . RCBO: Type A eller type B
<b>Miljø- og sikkerhedsklasse</b>	
Driftstemperaturinterval	-30 °C til +50 °C
Interval for opbevaringstemperatur	-40 °C til +80 °C
Luftfugtighed (ikke-kondenserende)	5 % til 95 %
Maksimal installationshøjde	2000 m over havets overflade
Bilagskoder	IP55 (IEC 60529), IK10 (IEC 62262)
Sikkerhedsklasse	Sikkerhedsklasse I og overspænding Kategori III
Makromiljøets forureningsgrad	Forureningsgrad 3
Klassificering for elektromagnetisk kompatibilitet (EMC)	Miljø A og Miljø B (i overensstemmelse med IEC 61439-1)
Mekanisk resistens for stationær montering	Høj resistens
<b>Opkobling</b>	
Autorisation	RFID-læser eller ved hjælp af en app
Wi-fi	2,4/5 GHz
Lokalt områdenetværk	Ethernet
Mobilkommunikation	4G LTE-M (2G-reserve understøttet)
Kommunikationsprotokol	OCPP 2.0.1
Smart ladningsfunktioner	Dynamisk Load Management, Load Management i klynger, EEBus-kompatibel, ISO 15118 (hardwareklar)
<b>Fysiske egenskaber</b>	
Dimensioner (B x H x D)	256 x 508 x 211 mm
Vægt	Cirka 8,4 kg
Kabinetmateriale	Makrolon RE® med lavt kulstofindhold
HMI	5" 800 x 480 WVGA IPS LCD, LED-ring, buzzer, autorisation
<b>Certificering og overensstemmelse</b>	
Indgangseffekt af strømforsyning	EV-forsyningsudstyr, der er permanent forbundet til vekselstrøms forsyningsnettet
Strømforsyning udgangseffekt	AC EV-forsyningsudstyr
Normale miljøforhold	Indendørs- og udendørsbrug
Adgang	Udstyr til lokationer med ubegrænset adgang
Udstyrstype	Stationært udstyr der enten er væg- eller stangmonteret

<sup>(1)</sup>Valgfrit.

### 3.3. Leverede komponenter

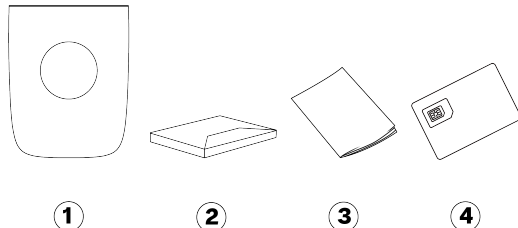
#### Komponenter i ladestationsboksen



- 1 Ladestation med ladekabel
- 2 Vægbeslag
- 3 Installationsæt
- 3.1 Panelskruer, 6 x 70 mm, T20, 3x
- 3.2 Pakninger, M6, 3x

- 3.3 Vægstik, 8 x 65 mm, 3x
- 3.4 Skruer, M4 x 12 mm, T20, 2x
- 3.5 Torx bit, T20 sikkerhed
- 4 Kabelpakningssæt
- 4.1 Kabelpakning, 12-20 mm, med forsegling og blokeringsstik

#### Komponenter i coverboksen



- 1 Frontcover
- 2 Velkomstpakke (valgfri)
- 3 Installations- og brugervejledning
- 4 Sim-kort (valgfrit)

## 4. Installationsvejledning

### 4.1. Forberedelse af installation

#### 4.1.1. Plan for installation

Følgende anbefalinger hjælper dig med at planlægge installationen af ladestationen.

#### Vælg placering

- Anbring ladestationen på en placering, hvor den ikke er udsat for direkte sollys og mulig beskadigelse udefra, hvis det kan lade sig gøre.
- Væggen skal have en flad struktur og skal kunne holde til en belastning på mindst 100 kg.
- Der skal være mindst 300 mm fri plads rundt om ladestationen.
- Placeringen må ikke føre til, at ladekablet får tydelige bøjninger.
- Strømkablet kan sættes i ladestationen fra toppen eller bunden. Den nederste kabelgennemføring A kan anvendes hvor som helst. Den øverste kabelgennemføring B må kun anvendes på et område, hvor der ikke

er risiko for at blive udsat for regn eller fugt.

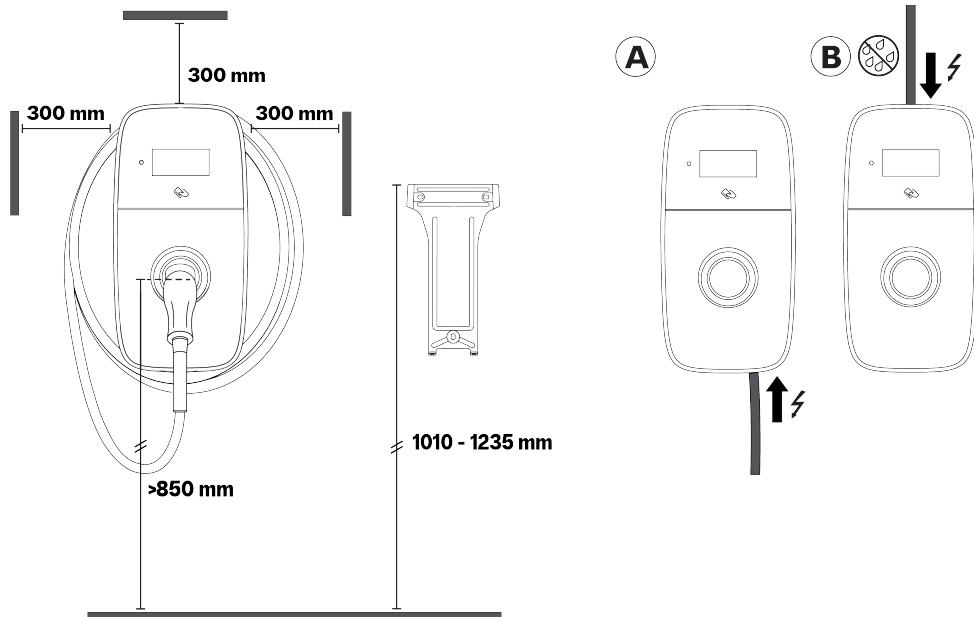
**⚠ PAS PÅ**

Risiko for indtrængende vand, når den øverste kabelgennemføring B anvendes udendørs. Over en længere periode kan der trænge regn og fugt ind i ladestationen langs strømkablet, hvilket kan beskadige ladestationen.

- Kommunikationskablet kan kun føres ind gennem bunden af ladestationen.

**i Bemærk**

Følgende illustration viser den lavest anbefalede monteringshøjde. Overhold og følg de lokale regler for tilgængelighed.

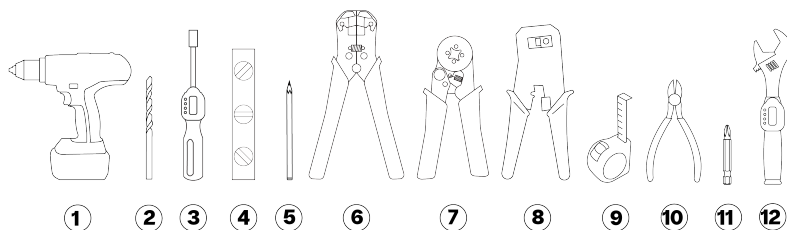


### Tjekliste før installation

Før du starter installationen af ladestationen, skal du kontrollere følgende:

- Installationen vil være i overensstemmelse med IEC 60364 og al gældende lokal lovgivning.
- Alle nødvendige tilladelser er indhentet fra den lokale myndighed, der har jurisdiktion.
- Den eksisterende elektriske belastning er blevet beregnet for at finde ladestationens maksimale driftsspænding.
- For en ladestation uden RCBO, er en miniaturekredsløbsafbryder (MCB) og en fejlstrømsenhed (RCD) er installeret opstrøms og har de anbefalede klassifikationer. Se [Strømforsyningskrav på side 61](#).
- Der er blevet ført et strømforsyningskabel af korrekt specifikation til installationsområdet, og kablet er tilstrækkeligt langt til, at ledningerne kan afisoleres og tilsluttes.
- Strømforsyningskablet vil forblive inden for sin bøjningsradius under og efter installationen.
- De anbefalede værktøjer er tilgængelige på stedet. Se [Nødvendige værktøjer på side 61](#).
- Stikkene, skrueerne og boret, der bruges til at installere ladestationen, er velegnede til vægkonstruktionen.
- Hvis der bruges en klyngeopsætning, skal den korrekte faserækkefølge planlægges, og kravene opfyldes. Se [Valgfri: Klynge belastningsudligning, på side 64](#).

## 4.1.2. Nødvendige værktøjer



- |   |   |
|---|---|
| 1. Bor  | 7. Værktøj til krympning af klemring        |
| 2. Bor til murværk, 8 mm (5/16 tommer).         | 8. Ledningsaftrækker og crimpværktøj (RJ45) |
| 3. Momentskruetrækker med bitholder, 0,5 – 3 Nm | 9. Målebånd                                 |
| 4. Vaterpas-niveau                              | 10. Skæreværktøj                            |
| 5. Blyant                                       | 11. Skruetrækkerbit, PH2                    |
| 6. Afisoleringstang (strømkabel)                | 12. Momentnøgle, 3 – 6 Nm                   |

## 4.1.3. Strømforsyningskrav

**FARE!**

Hvis ladestationen tilsluttes en strømforsyning, som ikke er angivet i dette afsnit, vil det føre til inkompatibilitet ved installationen, samt risiko for elektrisk stød, hvilket kan føre til beskadigelse af ladestationen, personskade eller dødsfald.

- Tilslut kun ladestationen i en konfiguration, der er specificeret i dette afsnit.

Jordingssystem	TN-S- og TNC-S-systemer	PE-kabel.
	TT-system IT-system	Jordforbindelsens elektrode, installeres separat (selv-installeret).
Indgangseffekt (fase)	1-fase	230 V $\pm$ 10 %, op til 32 A $\pm$ 6 %, 50/60 Hz.
	3-fase	400 V $\pm$ 10 %, op til 32 A $\pm$ 6 %, 50/60 Hz.
Miniatureafbryder (Miniature Circuit Breaker, MCB)	<ul style="list-style-type: none"> <li>• Udløsningskarakteristik: Type C.</li> <li>• MCB'ens udløsningsstrøm kan falde, hvis den omgivende temperatur i strømforsyningskabet bliver høj. Overvej potentielle højere omgivende temperaturer, når du vælger MCB-specifikationer.</li> <li>• Ikke påkrævet for stationer med en RCBO.</li> </ul>	
	<p><b>i Bemærk</b></p> <ul style="list-style-type: none"> <li>• Installationen, herunder MCB'en, skal være i overensstemmelse med IEC 60364 og al gældende lokal lovgivning.</li> <li>• MCB'en skal tilsvare ladestationens strømstyrkeindstillingerne og den maksimale spænding, der er tilgængelig for ladestationen i overensstemmelse med MCB-producentens specifikationer.</li> <li>• MCB'ens maksimale I<sub>t</sub>-værdi må ikke overstige 75000 A<sup>2</sup>s.</li> </ul>	

RCD (Reststrømsenhed)	<ul style="list-style-type: none"> <li>RCD strømstyrkemærkning: Fastsættelsen skal svare til strømstyrken på ladestationen.</li> <li>Standardinstallationer:             <ul style="list-style-type: none"> <li>I Frankrig skal RCD være en type B med en mærkestrøm på 20 A eller 40 A og have maksimal 30 mA AC lækstrømsdetektion.</li> <li>I andre lande skal fejlstrømsafbryderen være en type A, F eller B med en mærkestrøm på 20 A, 32 A eller 40 A og have maksimal 30 mA AC lækstrømsdetektion.</li> </ul> </li> <li>EV Ready-installationer: RCD'en skal være en Type A+, høj immunitet (f.eks.: HPI, SI, HI, KV osv., afhængigt af RCD-producenten).</li> <li>Ikke påkrævet for stationer med en RCBO.</li> </ul> <p><b>i Bemærk</b></p> <ul style="list-style-type: none"> <li>Installationen, herunder RCD'en, skal være i overensstemmelse med IEC 60364 og al gældende lokal lovgivning.</li> <li>Ladestationen har intern DC-lækagesporing med udløsningstider- og grænser er i overensstemmelse med IEC 61851-1:2017 Cl. 8.5. (Ifølge IEC 62955:2018 tabel 2).</li> </ul>
--------------------------	---

### Strømforsynings ledningsføring

Tabellerne nedenfor beskriver, hvordan du tilslutter strømforsyningen til ladestationen, afhængigt af strømforsyningstype og stationens konfiguration.

#### **⚠ ADVARSEL**

Tilslutning af en IT-strømforsyning (uden neutral) til en indbygget type A RCBO kan beskadige ladestationen og dermed forårsage personskade eller dødsfald.

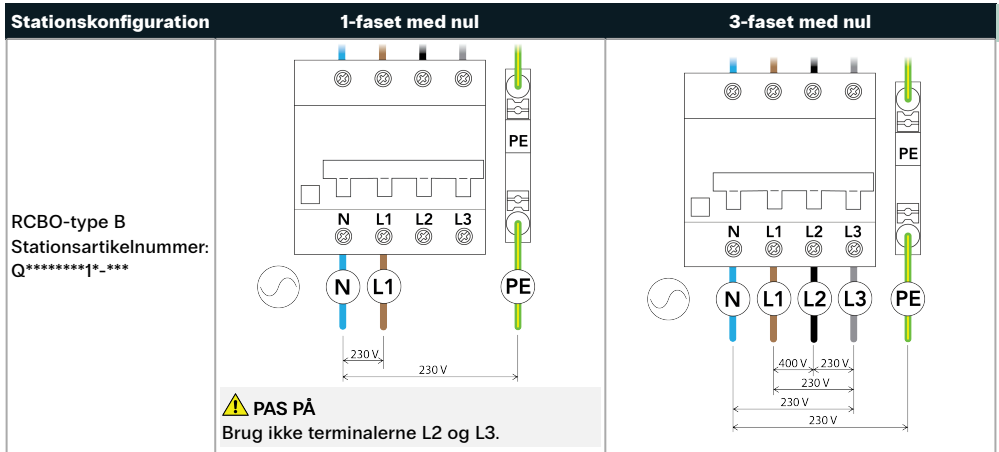
- Der må kun tilsluttes en TN eller TT 3-faset strømforsyning (med neutral) til en type A RCBO.

### TN- og TT-strømforsyning til RCBO

#### **i Bemærk**

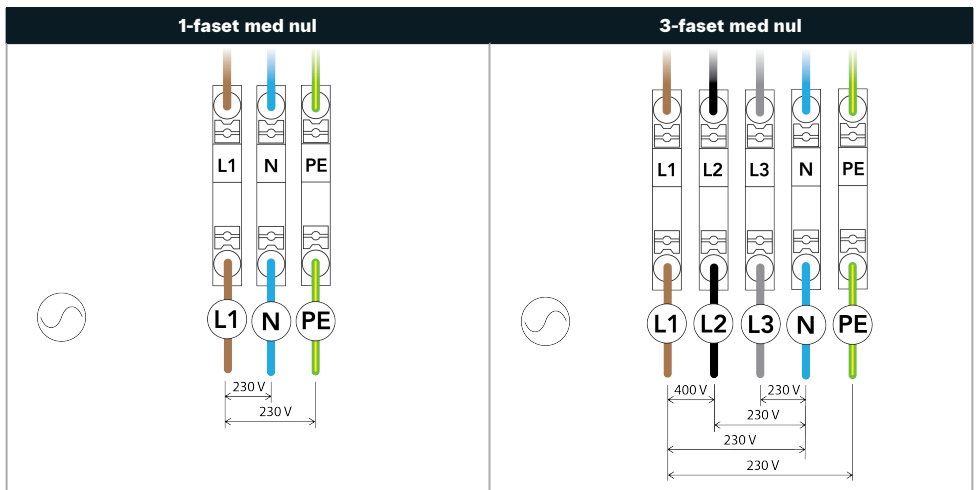
Dette afsnit gælder kun for stationer med indbygget RCBO.

Stationskonfiguration	1-faset med nul	3-faset med nul
RCBO-type A Stationsartikelnummer: Q*****G*..***	<p><b>⚠ PAS PÅ</b></p> <p>Ikke understøttet. Tilslut ikke en enfaset forsyning til en station med en 3-faset plus nul RCBO.</p>	



**TN- og TT-strømforsyning**

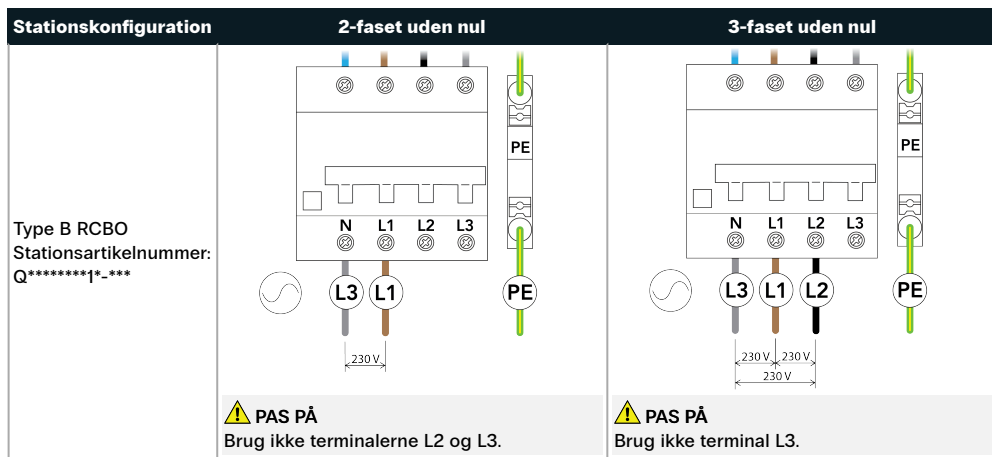
**i Bemærk**  
 Dette afsnit gælder kun for stationer uden indbygget RCBO.



**IT-strømforsyning (uden nul) til RCBO**

**⚠ PAS PÅ**  
 Sørg for, at lokale regler tillader installation af denne ladestation på et IT-net uden nul. Sørg for, at elbilen er kompatibel med denne type installation.

**i Bemærk**  
 Dette afsnit gælder kun for stationer med indbygget RCBO.



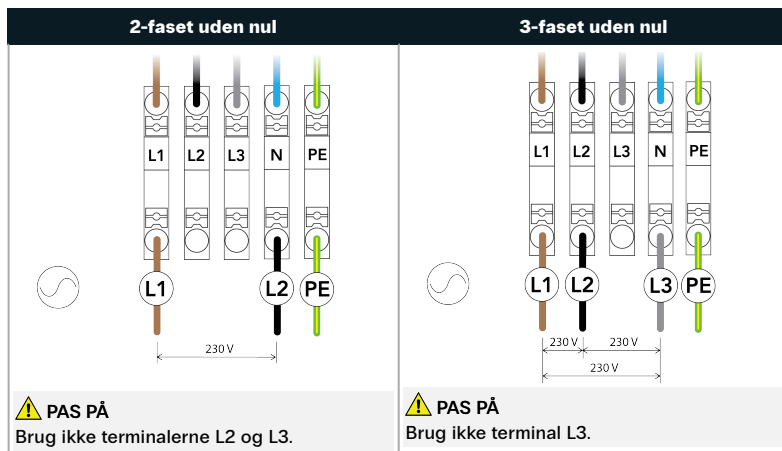
### IT-strømforsyning (uden nul)

#### ⚠ PAS PÅ

Sørg for, at lokale regler tillader installation af denne ladestation på et IT-net uden nul. Sørg for, at elbilen er kompatibel med denne type installation.

#### ℹ Bemærk

Dette afsnit gælder kun for stationer uden indbygget RCBO.



### 4.1.4. Valgfrit: Load Management

Et dynamisk Load Management, der overvåger strømforbruget for alle elektriske apparater, der bruger den samme strømkilde, leverer et styresignal til ladestationen for at regulere den strøm, som stationen bruger, så det samlede strømforbrug fra strømkilden sikkert afbalanceres inden for forudindstillede grænser. I en klyngeinstallation regulerer den tilsluttede ladestation de øvrige ladestationer, der er tilsluttet i klyngen.

Dynamic Load Management kræver et trådbaseret input fra et system til registrering af load management (se [Ladestationskommunikation på side 76](#)).

### 4.1.5. Valgfri: Klynge belastningsudligning.

En klyngebelastnings-udligningsinstallation består af flere ladestationer forbundet i en klynge. En klynge gør det muligt at etablere et smart-netværk på tværs af hele klyngen for at optimere strømforbruget. Enhver station kan



bruges som den tilsluttede station i klyngen. Klyngen er opsat ved hjælp af EVBox Install App. For korrekt belastningsudligning skal en klynge tilsluttes et enkelt strømforsyningskredsløb.

Load Management i klynger kræver, at hver station i klyngen er forbundet til det samme lokale netværk (LAN) ved hjælp af Ethernet-forbindelsen (se [Ladestationskommunikation på side 76](#)).

### Krav til load management i klynger

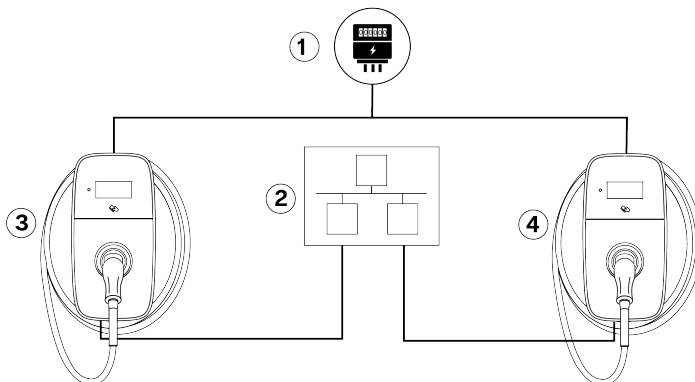
Ethernet-kontakt	<ul style="list-style-type: none"> <li>• IPv6-support</li> <li>• ikke administreret</li> <li>• Antal porte: Antallet af porte skal være lig med eller større end antallet af opladere, der er tilsluttet klyngen.</li> <li>• RJ45-port</li> <li>• 100 Mbps eller mere</li> <li>• Statisk multicasting: Deaktiveret</li> <li>• Dynamisk multicasting (MLD-snooping): Deaktiveret</li> </ul> <div style="background-color: #f0f0f0; padding: 5px;"> <p><b>i Bemærk</b></p> <ul style="list-style-type: none"> <li>◦ I store klynger kan to eller flere switches kombineres i samme netværk.</li> <li>◦ En ekstra port er påkrævet, hvis kontakten bruges til internetforbindelse.</li> </ul> </div>
Kabler	<ul style="list-style-type: none"> <li>• CAT5</li> <li>• Længde: 100 m maksimal længde for hver klyngeknodepunkt</li> </ul>

### Tilslutningsdiagram

Følgende diagram beskriver, hvordan flere ladestationer er tilsluttet i en klynge.

#### **i Bemærk**

Diagrammet omfatter ikke ladestationens internetforbindelse. Ladestationens internetforbindelse kan konfigureres ved hjælp af mobilt internet, Wi-Fi eller Ethernet.



1. Strømforsyning
2. Ethernet-kontakt

3. AC-oplader 1
4. AC-oplader N

### Faserotation

For at undgå overbelastning af den første fase ved enfasede elektriske køretøjer skal faserækkefølgen for hver ladestation, der tilsluttes en 3-faset forsyning i en strømdelingsinstallation, konfigureres ved hjælp af EVBox Install App.

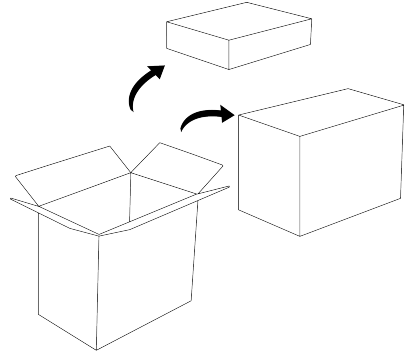
### 4.1.6. Kun for gældende lande: Fjernbetjening af strømmen via DSO

I henhold til de tekniske tilslutningsregler VDE-AR-N-4100:2019-04 Cl. 10.6.4 skal en ladestation med en samlet nominel effekt på mere end 12 kVA have en grænseflade til fjernstyring af strømmen for at muliggøre fjernafbrydelse af stationen af distributionssystemoperatøren (DSO). Denne ladestation kan tilsluttes via kabel til en DSO-enhed opstrøms, der er udstyret med et normalt åbent (NO) relæ. Når relæet lukker, går stationen ind i en suspenderet tilstand, og opladningen sættes på pause. Opladningen genoptages, når relæet åbnes. Se [Kun for gældende lande: Tilslut kabel til fjernbetjening af strømstyring på side 80](#) vedrørende instruktioner til kabeltilslutning.

Registrering hos DSO er påkrævet.

## 4.2. Udpakning

1. Åbn forsendelseskassen. Fjern coverboksen og ladestationens boks.

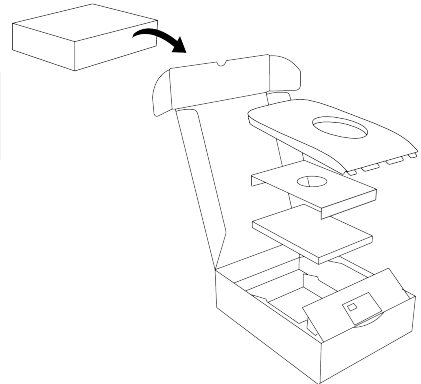


2. Åbn coverboksen. Find frontcoveret, velkomstpakken (valgfrit), dokumentationen til ladestationen samt simkortet (valgfrit).



#### Bemærk

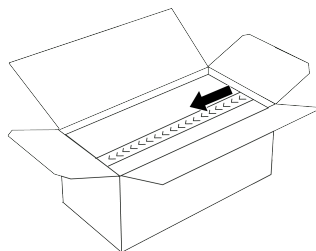
For at undgå skader skal frontcoveret forblive i emballagen indtil installationen.



#### 4. Installationsvejledning

3. Åbn stationsboksen.

DA

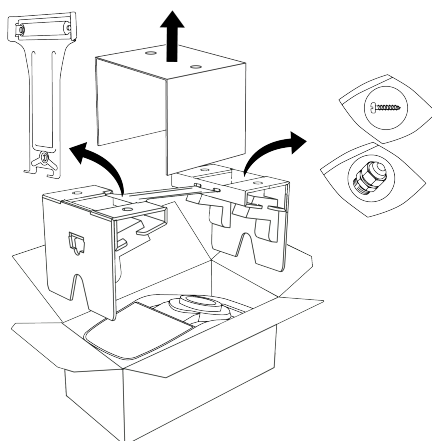


4. Fjern de tre fyldninger af pap, vægbeslaget og installationssettene.



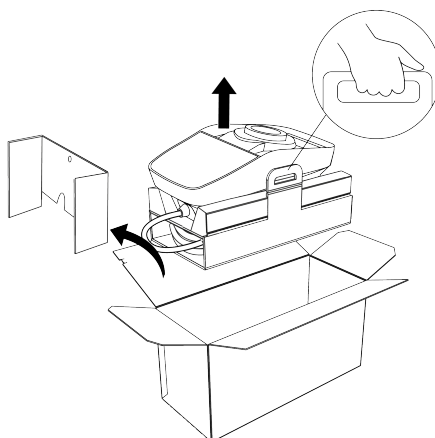
#### Bemærk

For at undgå skader skal ladestationen og kablet forblive i emballagen indtil installation.

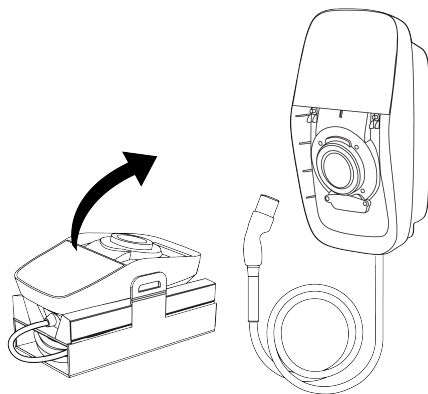


5. Når stationen kan installeres på vægbeslaget, skal du tage ladestationen ud af emballagen på følgende måde:

- a. Fjern papindsatsen, og løft papemballagen med ladestationen og kablet ud af boksen med ladestationen.



- b. Tag ladestationen og ladekablet op af emballagen.

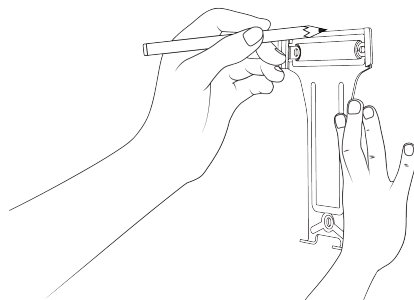


### 4.3. Installer vægbeslaget og ladestationen

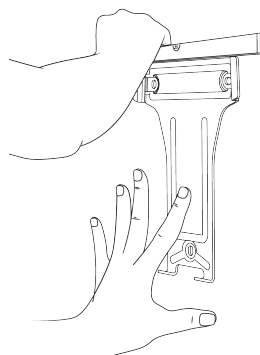
#### **⚠ PAS PÅ**

Følg anbefalingerne i [Plan for installation på side 59](#), når du vælger placering og monteringshøjde for ladestationen, og når du vælger en indføring af strømkabel.

1. Installer vægbeslagene på følgende måde:
  - a. Marker højden af vægbeslagets overside.

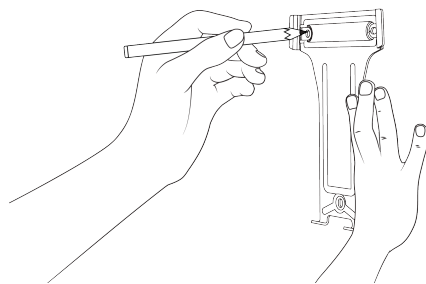


- b. Hold vægbeslaget mod væggen, og niveller den med vaterpasset.



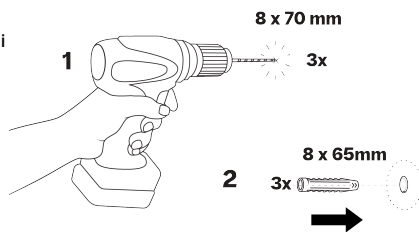
## 4. Installationsvejledning

- c. Marker de tre skruepunkter på væggen. Fjern vægbeslaget.

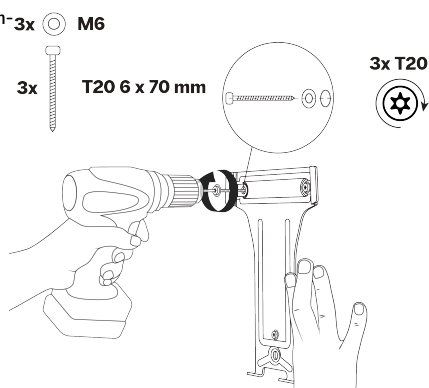


DA

- d. Der bores et 8 mm hul med en dybde på 70 mm i hvert skruepunkt. Monter en 8 x 65 mm vægplug i hvert hul.

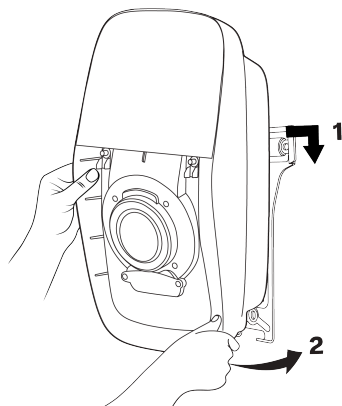


- e. Installer vægbeslaget ved hjælp af T20 6 x 70 mm-3x M6 skrue og M6-pakninger.



2. Installer ladestationen som følger:

- a. Sæt ladestationen i indgreb med toppen af vægbeslaget, og drej derefter ladestationen nedad for at justere de to nederste skruehuller.

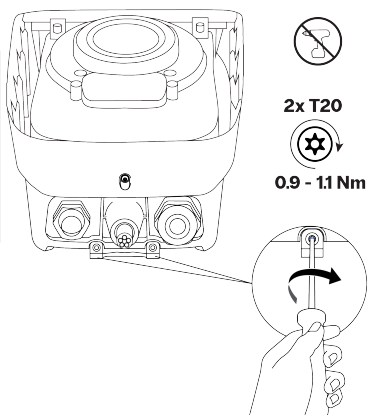


- b. Installer to sikkerhedsskruer Torx T20 for at fastgøre ladestationen til vægbeslaget.

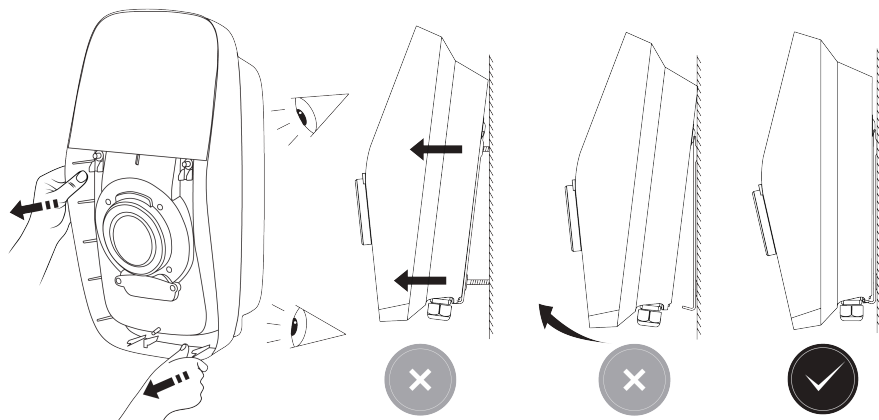
**⚠ PAS PÅ**

Brug af en skruetrækker med et højt drejningsmoment kan beskadige skrueerne og komponenterne.

- Anvend kun en skruetrækker med lavt drejningsmoment med den korrekte momentindstilling.



- c. Træk forsigtigt i ladestationen for at sikre, at den er sikkert fastgjort til vægbeslaget og til væggen.



#### 4.4. Tilslut strømkablet

Ladestationen har to udskiftelige kabelpakning:

- Den installerede kabelpakning er beregnet til et strømkabel med en kappeditiameter på 13 til 25 mm.

## 4. Installationsvejledning

- Kabelpakningen er beregnet til et strømkabel med en kappediameter på 12 til 20 mm.

Terminalerne accepterer følgende ledningstykkelser:

- Fast ledning: maksimalt 16 mm<sup>2</sup>.
- Snoet ledning med samlering (uden plastikhætte): højst 10 mm<sup>2</sup>.

Strømkablet kan sættes i ladestationen fra toppen eller bunden. Den nederste kabelgennemføring A kan anvendes hvor som helst. Den øverste kabelgennemføring B må kun anvendes på et område, hvor der ikke er risiko for at blive udsat for regn eller fugt.

### PAS PÅ

Følg anbefalingerne i [Plan for installation på side 59](#), når du skal vælge indføringspunktet for strømkablet til ladestationen.

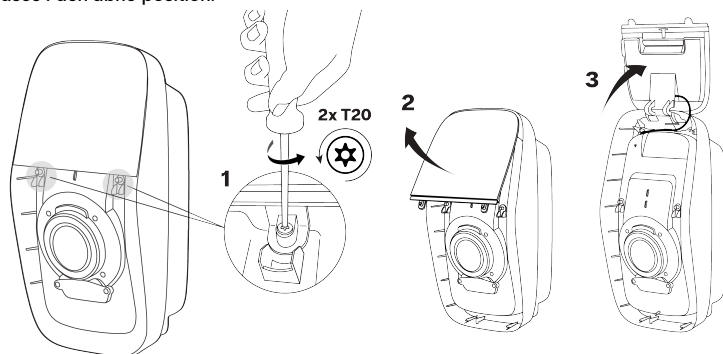
### Bemærk

Kommunikationskablet kan kun føres ind gennem bunden af ladestationen.

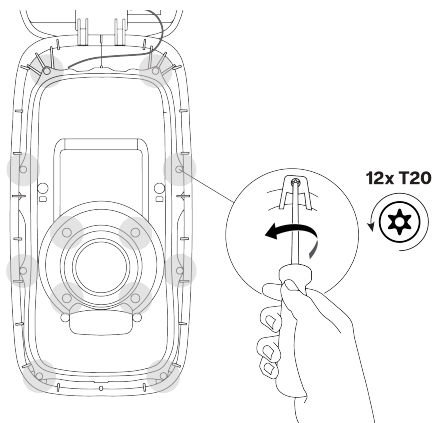
### Bemærk

Alle Torx T20-sikkerhedsskruer er ufravigelige. Du må ikke fjerne de ufravigelige skruer fuldstændigt fra ladestationen.

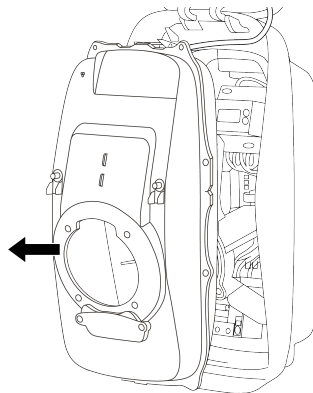
1. Fjern det inderste cover på følgende måde:
  - a. Løsn de to Torx T20-sikkerhedsskruer, der fastgør skærmcoveret. Åbn skærmcoveret helt, så det låses i den åbne position.



- b. Løsn de 12 Torx Security T20-skruer, der fastgør det indvendige cover.

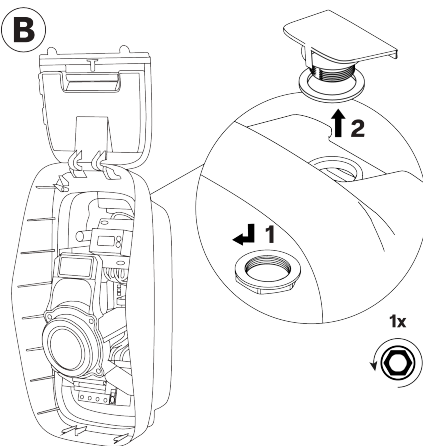


- c. Fjern det inderste cover.

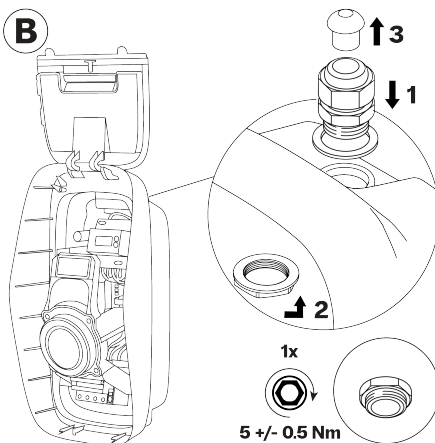


2. For øverste indgang B: Forbered topindgangen til strømkablet som følger:

- a. Fjern møtrikken, der fastgør øverste indgangcover. Fjern coveret. Behold møtrikken til brug på kabelpakningen. Opbevar coveret i emballagen.



- b. Monter kabelpakningen og tætningen i den øverste indføring. Monter og spænd møtrikken. Fjern blindproppen fra kabelpakningen, og gem den til senere brug.





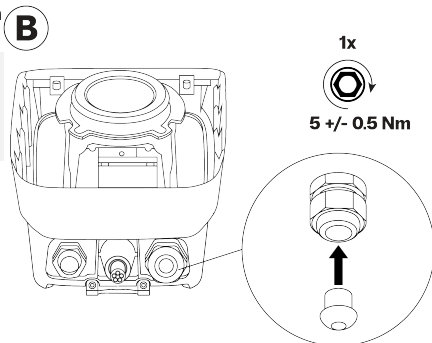
#### 4. Installationsvejledning

DA

- c. Monter blindproppen i den ubrugte åbning i bunden af ladestationen.

**⚠ PAS PÅ**

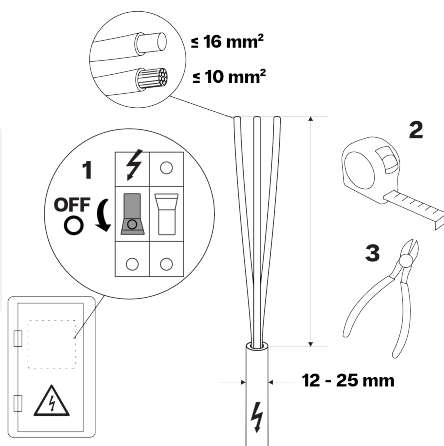
Sørg for, at blindproppen er monteret i kabelgennemføringen for at bevare IP-koden for ladestationen.



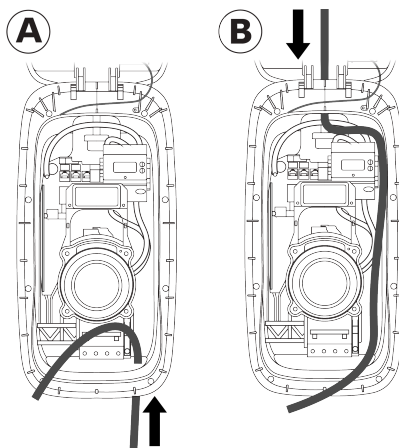
3. Klip strømkablet over og afisolér den ydre kappe, så kablet og dets ledninger har en tilstrækkelig længde til at forbinde til RCBO- og PE-terminalblokkene i ladestationen. Hvis det er nødvendigt kan ekstra isolation installeres på de enkelte ledninger.

**⚠ PAS PÅ**

For at beskytte Separated Extra Low Voltage-kredsløb (SELV) må de afisolerede enkeltisolerede ledninger ikke røre ved komponenterne på hovedkortet. Installer efter behov dobbeltisolering på de enkelte ledninger, for eksempel ved brug af krympeslange eller isoleringshætte.



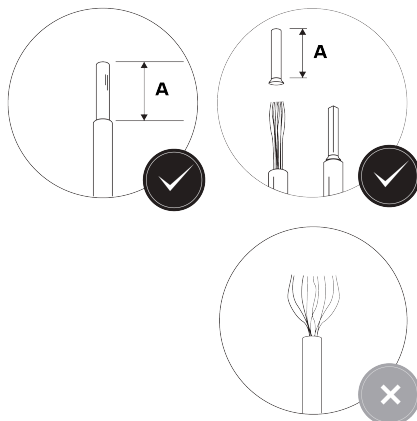
4. Før strømkablet ind i ladestationen ved hjælp af den nederste kabelindgang A eller den øverste kabelindgang B. Før strømkablet til forbindelsespunkterne. Lad der være tilstrækkelig længde til at afisolere og forbinde ledningerne.



## DA 5. Afisolér strømkablets ledningsender:

- For en RCBO, A = 12 mm
- For en klemrække, A = 18 mm

Når der bruges trådede ledninger, monteres der ledning og bøsninger, og anvend en kvadratisk krympning for optimal tilpasning til RCBO- og PE-klemrækkerne.



## 6. For en station med en indbygget RCBO: Tilslut strømkablet på følgende måde:

**⚠ ADVARSEL**

Forkert tilslutning af strømledningerne kan resultere i risiko for elektrisk stød og dermed forårsage skader på ladestationen samt personskade eller død.

- Sørg for, at strømledningerne er sikkert forbundet.

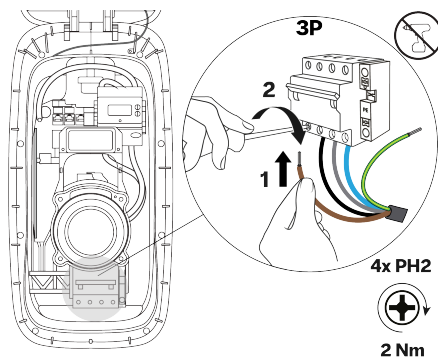
**ℹ Bemærk**

Tilslut ledningerne i overensstemmelse med strømforsyningens ledningsskema i [Strømforsyningskrav på side 61](#).

**ℹ Bemærk**

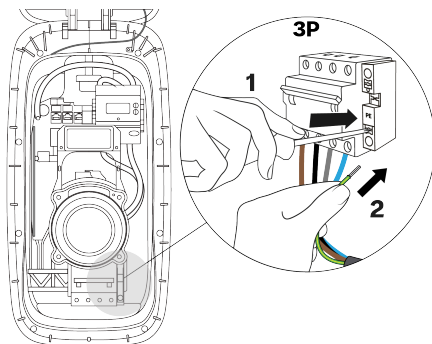
Type B-RCBO'er er omvendt installeret i ladestationerne (dvs. på hovedet).

- a. Tilslut strømkablets ledninger til RCBO'en. Stram skruerne for at fastgøre ledningerne.

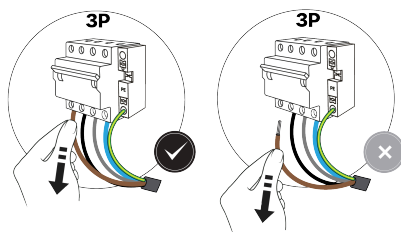


## 4. Installationsvejledning

- b. Tilslut PE-ledningen fra strømkablet til PE-klemrækken.



- c. Træk i hver ledning for at kontrollere, at hver ledning er forsvarligt forbundet.



7. For en station med klemrækker: Tilslut strømkablet på følgende måde:

### ⚠ ADVARSEL

Forkert tilslutning af strømledningerne kan resultere i risiko for elektrisk stød og dermed forårsage skader på ladestationen samt personskade eller død.

- Sørg for, at strømledningerne er sikkert forbundet.

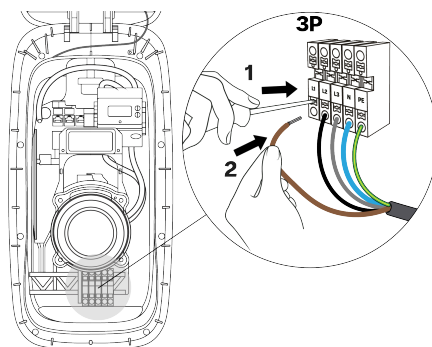
### ℹ Bemærk

Tilslut ledningerne i overensstemmelse med strømforsynings ledningskema i [Strømforsyningskrav på side 61](#).

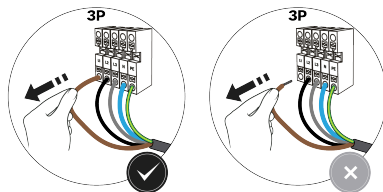
### ℹ Bemærk

Illustrationerne viser en 3-fase med neutral forbindelse.

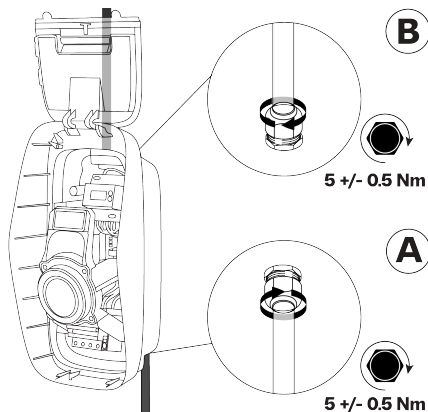
- a. Tilslut strømkablets ledninger til terminalblokkene.



- b. Træk i hver ledning for at kontrollere, at hver ledning er forsvarligt forbundet.



8. Spænd kabelforskrningen for at fastgøre strømkablet og for at bevare IP-koden for ladestationen.



## 4.5. Ladestationskommunikation

Kommunikationskablet kan kun føres ind gennem den venstre kabelgennemføring i bunden af ladestationen. Der kan maksimalt komme fire kommunikationskabler ind i ladestationen gennem pakningen.

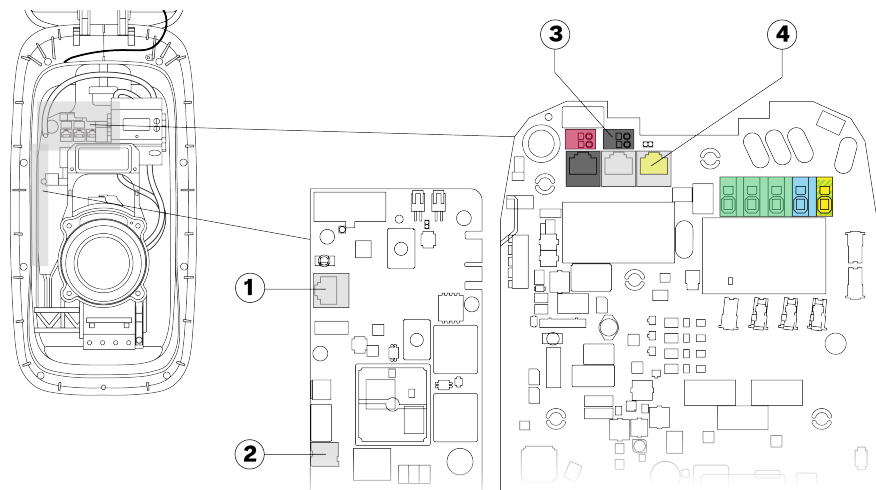
Der er tre muligheder for at forbinde ladestationen til internettet:

- Ethernet (anbefalet indstilling)
- Wi-fi (se [Konfiguration på side 86](#))
- Mobil (sim-kort)

### Kommunikationsforbindelser- og komponenter

#### **i** Bemærk

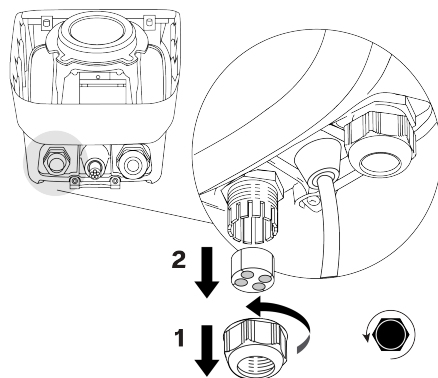
De anvendte kommunikationsforbindelser- og komponenter afhænger af ladestationens model og den nødvendige funktionalitet.



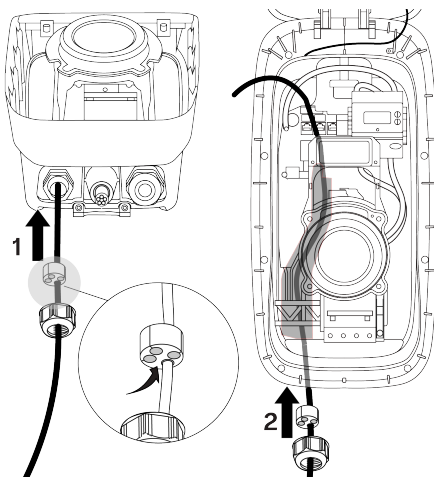
1. Ethernet-udtag til ledningsforbundet internetforbindelse
2. Nano-sim-kortslet til internetforbindelse via mobilt internet
3. Terminaler til styring af aktiv effekt (kun for Tyskland)
4. CT IN-fatning til dynamisk belastningsbalancering

### 4.5.1. Lægning af kommunikationskabler

1. Fjern kabelpakningens møtrik og tætning fra venstre kabelpakning.



2. Før de nødvendige kommunikationskabler gennem kabelpakningen og forsegl, og før dem derefter gennem den venstre kabelpakning i bunden af ladestationen. Før kablerne gennem kabelkanalen til toppen af ladestationen.



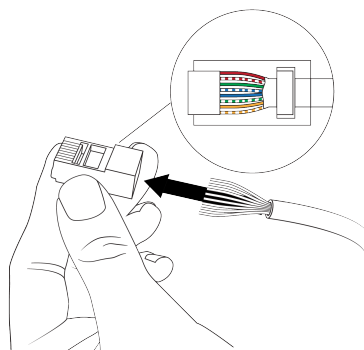
#### 4.5.2. Valgfrit: Forbind ethernetkabel til internet

##### **i** Bemærk

Brug et hvilket som helst netværkskabel fra Cat5 og derover (Cat5, Cat5e, Cat6) med parsnoede ledninger.

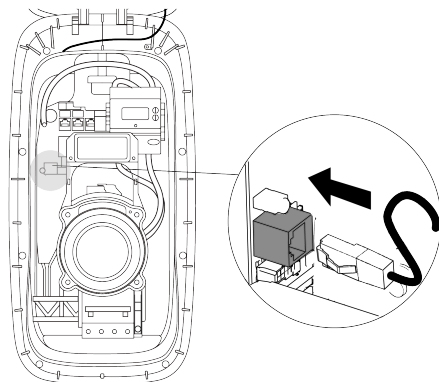
- Det anbefales at bruge et skærmet netværkskabel, men det er ikke obligatorisk.
- Hvis et skærmet kabel anvendes, må skjoldet ikke jordforbindes.
- Brug et UV-stabiliseret netværkskabel til udendørs installationer.
- Netværkskabler kan have et forudinstalleret RJ45-stik, eller RJ45-stikket kan installeres før eller efter føring af netværkskablet ind i ladestationen.

1. Hvis et RJ45-stik ikke er forudinstalleret, skal du installere et RJ45-stik på netværkskablet.



## 4. Installationsvejledning

2. Tilslut netværkskablets RJ45 stik til ethernet-stikket på kommunikationskortet.



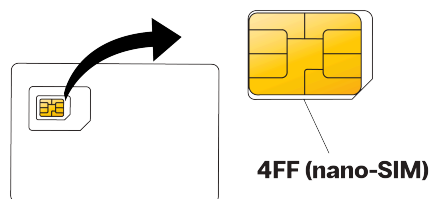
DA

### 4.5.3. Valgfrit: Installer sim-kort til internet

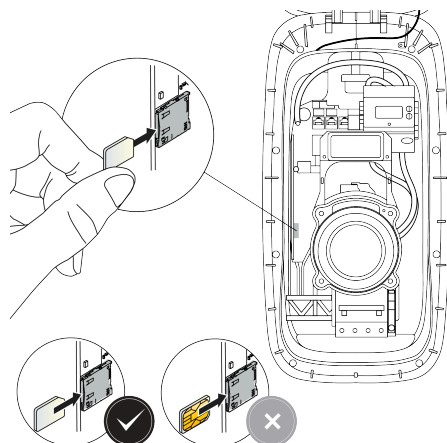
#### Bemærk

Kun særlige sim-kort er understøttet.

1. Fjern 4FF (nano-sim) sim-kortet fra dets kort.



2. Skub 4FF-simkortet (nano-SIM) og lås det i åbningen i kommunikationskortet. Sim-kortets kontakter skal vende mod kommunikationskortet.



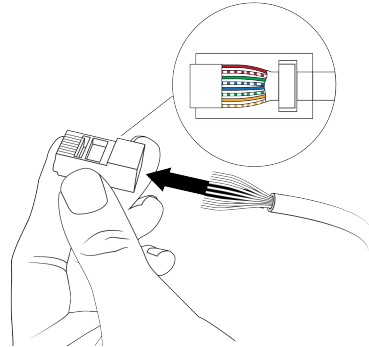
#### 4.5.4. Valgfrit: Tilslut et dynamisk Load Management-netværkskabel

##### **Bemærk**

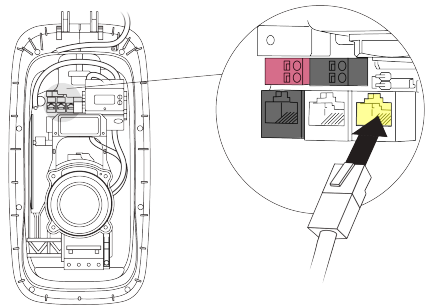
Brug et hvilket som helst netværkskabel fra Cat5 og derover (Cat5, Cat5e, Cat6) med parsnoede ledninger.

- Det anbefales at bruge et skærmet netværkskabel, men det er ikke obligatorisk.
- Hvis et skærmet kabel anvendes, må skjoldet ikke jordforbindes.
- Brug et UV-stabiliseret netværkskabel til udendørs installationer.
- Netværkskabler kan have et forudinstalleret RJ45-stik, eller RJ45-stikket kan installeres før eller efter føring af netværkskablet ind i ladestationen.

1. Hvis et RJ45-stik ikke er forudinstalleret, skal du installere et RJ45-stik på netværkskablet.



2. Tilslut netværkskablets RJ45-stik til CT IN-stikket.



#### 4.5.5. Kun for gældende lande: Tilslut kabel til fjernbetjening af strømstyring

Klemrækken accepterer følgende ledningstykkelser:

- Fast ledning: maksimalt 1,5 mm<sup>2</sup>.
- Snoet ledning med samlering (uden plastikhætte): højst 1,5 mm<sup>2</sup>.

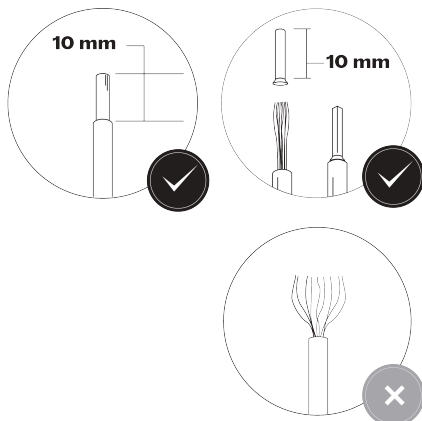
Brug dobbeltisoleret kabel, der kan tåle temperaturer på op til 90 °C.



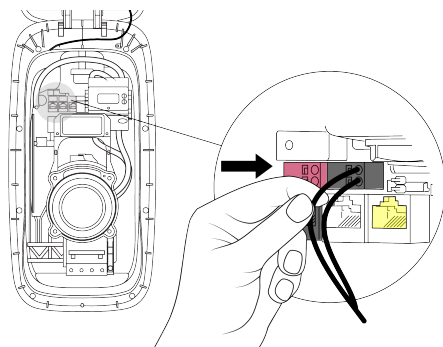
## 4. Installationsvejledning

1. Afisolér ledningsenderne af kablet til den aktive strømstyring.

Når der anvendes snoede ledninger, skal du installere ferrules (uden plastikhylstre) og anvende en firkantet crimpning for at opnå optimal pasform i klemmerne.



2. Tilslut ledningerne til den aktive strømstyring til den sorte klemrække (digital indgang 1).



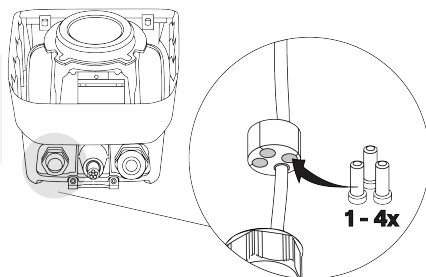
3. Tilslut den anden ende af det aktive strømstyringskabel til en DSO-styringsenhed med normalt åbne (NO) kontakter.

### 4.5.6. Stram kabelpakningen

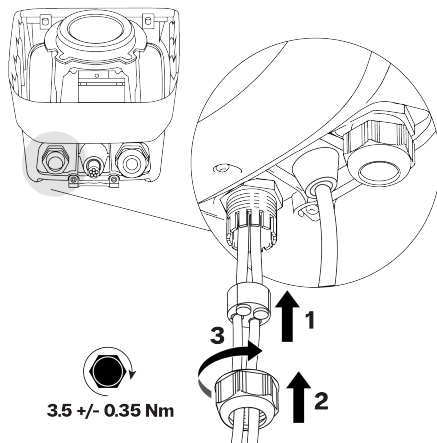
1. Installer blindpropper i de ubrugte indgange i kabelpakningens tætning.

#### ⚠ PAS PÅ

Sørg for, at blindpropper er på plads i de ubrugte indgangspunkter i kabelpakningen for at opretholde ladestationens IP-kode.



2. Flyt kabelforskrningen op i kabelpakningen, og stram derefter kabelpakningen for at fastgøre netværkskablerne og blindpropperne.



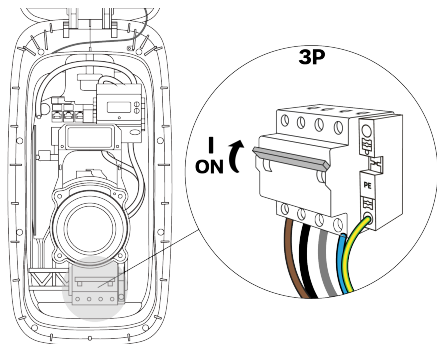
#### 4.6. Monter covers til ladestationen

1. For en station med en indbygget RCBO: Sørg for, at RCBO'en er tændt i ladestationen.



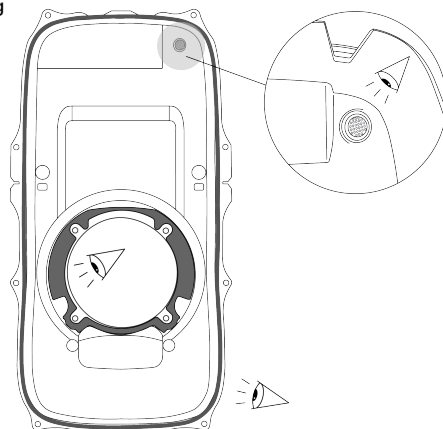
##### Bemærk

Type B-RCBO'er er omvendt installeret i ladestationerne (dvs. på hovedet). Hvis ladestationen har en Type B-RCBO, er tænd- og sluk-retningerne omvendt.



2. Før installationen skal du kontrollere det indre cover således:

- a. Kontroller på indersiden, at den indre cover-tætning og midterforseglingen er rene og ubeskadigede. Kontroller, at ventilationsmembranen sidder fast og er ubeskadiget.



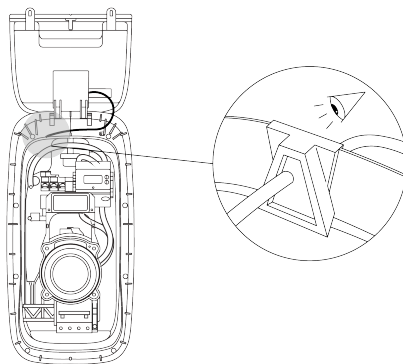
#### 4. Installationsvejledning

- b. På ydersiden skal du kontrollere, at de tre udluftningshuller ikke er blokeret af vand, støv eller snavs.

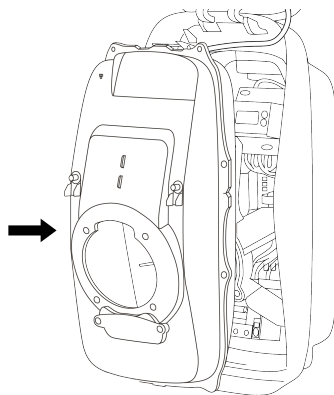


DA

- 3. Kontroller på ladestationen, at forseglingen til skærnkablet er korrekt monteret.



- 4. Installer indvendigt cover som følger:
  - a. Indsæt bunden af dækslet under det midterste hul, og tryk derefter toppen af dækslet ind i position.



- b. Spænd de 12 sikkerhedsskruer til Torx T20 i den viste rækkefølge for at fastgøre det indvendige cover.

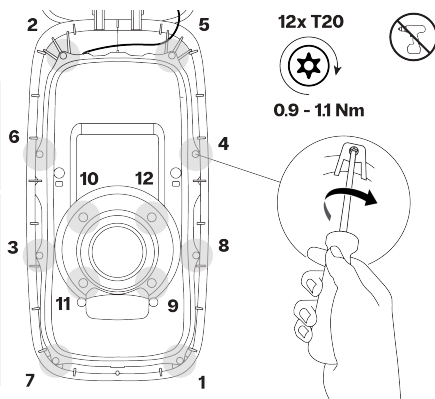
**⚠ PAS PÅ**

Risiko for vandindtrængning. Regn og fugt kan trænge ind i ladestationen, hvis skruerne ikke spændes i den rigtige rækkefølge.

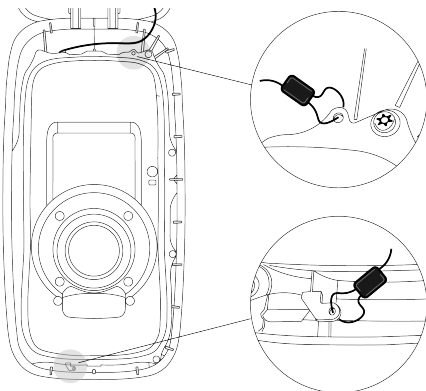
**⚠ PAS PÅ**

Brug af en skruetrækker med et højt drejningsmoment kan beskadige skruerne og komponenterne.

- Anvend kun en skruetrækker med lavt drejningsmoment med den korrekte momentindstilling.



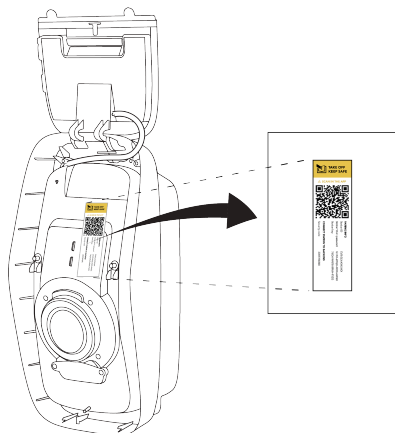
- c. Valgfrit: Installer to manipulationssikre forseglinger i øverste højre og nederste venstre hjørne på det indre dæksel.



5. Fjern klistermærket, der indeholder de specifikke oplysninger om ladestationen, fra det indvendige cover. Opbevar mærkaten sammen med dokumentationen til ladestationen. Oplysningerne på etiketten er påkrævet under konfigurationen.

**⚠ PAS PÅ**

For at forhindre uautoriseret adgang til ladestationens indstillinger må du ikke efterlade etiketten sammen med ladestationen.



6. Installer skærmcover og frontcover som følger:

## 4. Installationsvejledning

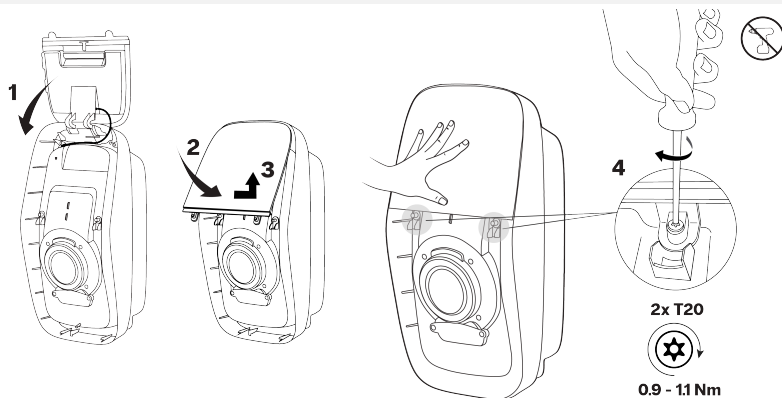
DA

- a. Luk skærmcoveret, og hold det lukket. Fastgør skærmcoveret med to Torx T20-sikkerhedsskruer.

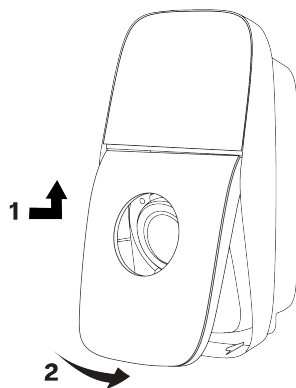
**⚠ PAS PÅ**

Brug af en skruetrækker med et højt drejningsmoment kan beskadige skruerne og komponenterne.

- Anvend kun en skruetrækker med lavt drejningsmoment med den korrekte momentindstilling.



- b. Sæt den øverste kant af frontcoveret ind under den nederste kant af skærmcoveret, og roter derefter coveret nedad for at tilpasse det nederste skruehul.

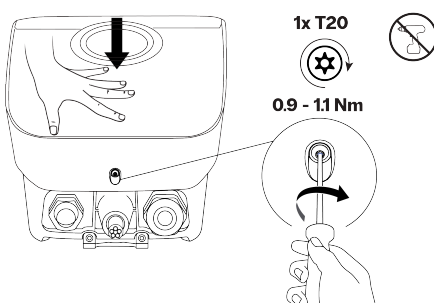


- c. Skub frontcoveret mod fjederen. Spænd Torx T20-sikkerhedsskruen for at fastgøre frontdækslet på ladestationen.

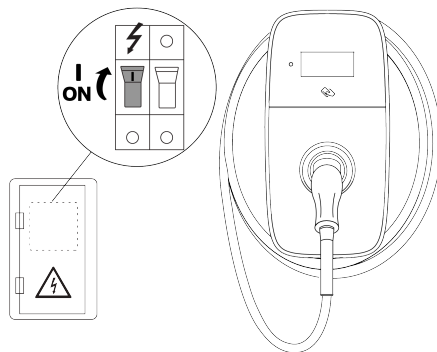
**⚠ PAS PÅ**

Brug af en skruetrækker med et højt drejningsmoment kan beskadige skruerne og komponenterne.

- Anvend kun en skruetrækker med lavt drejningsmoment med den korrekte momentindstilling.



7. Sno løst ladekablet rundt om ladestationen ved opbevaring og sæt ladestikket i stikkontaktens holder. Tænd for strømmen til ladestationen. LED-ringen lyser hvidt for at indikere, at ladestationen er ved at starte op.



Ladestationen er nu helt installeret. LED-ringen lyser hvidt og blinker to gange for at angive, at konfigurationen kan startes.

## 4.7. Konfiguration

For at ladestationen kan fungere skal den være forbundet til internettet. Når den er tilsluttet, anbefales det at aktivere ladestationen på en Charging Management Platform (CMP) for fuldt ud at drage fordel af alle ladestationens funktioner og online support.

Konfigurationen skal være gennemført, før ladestationen kan tages i brug.

### 4.7.1. Konfigurer ladestationen

#### ADVARSEL

Risiko for elektrisk stød, hvilket kan medføre alvorlig personskade eller dødsfald. Kun en kvalificeret elektriker har tilladelse til at bruge EVBox Install-appen til at konfigurere ladestationen.

1. Hent og installer EVBox Install App på din smartphone eller tablet.



2. Åbn EVBox Install App og følg instruktionerne i appen. De specifikke oplysninger om ladestationen, der kræves til stationskonfiguration, befinder sig på mærkaten, der fjernes under installationen.



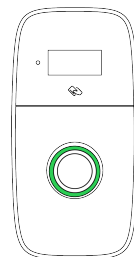
3. Brug EVBox Install App til at indstille følgende nøgleindstillinger for at sikre, at ladestationen fungerer sikkert:
  - Maksimal ladestrøm.
  - Internetforbindelse.
  - Andre konfigurationsindstillinger.

### 4.7.2. Valgfrit: Aktiver ladestationen med CMP

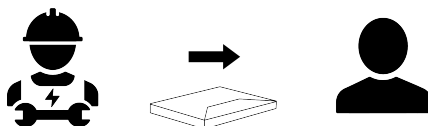
For en online ladestation skal brugeren aktivere ladestationen med Charging Management Platformen (CMP'en) eller på CMP-webstedet eller ved hjælp af den CMP-specifikke app. Kontakt ladepunktsoperatøren (CPO) vedrørende oplysninger om ladestationens aktiveringsprocedure.

### 4.7.3. Klar til brug

Ladestationen er klar til at oplade en elbil, når coverne er monteret på ladestationen, idriftsættelsen er afsluttet, og LED-ringen viser konstant grønt.



Overdrag al dokumentation til ejeren. Ejeren skal opbevare al dokumentation, der er leveret sammen med ladestationen, på et sikkert sted i hele produktets livscyklus.



## 5. Brugervejledninger

### ⚠ FARE!

Hvis instruktionerne til brugeren i denne vejledning ikke følges, vil det føre til risiko for elektrisk stød, som vil medføre alvorlig personskade eller dødsfald.

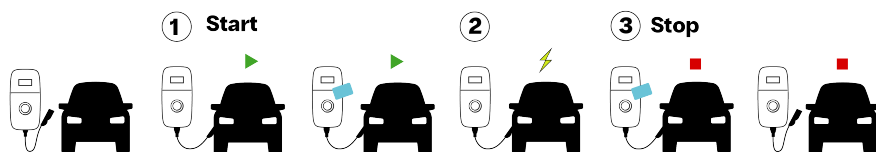
- Læs sikkerhedsforanstaltningerne og brugervejledningen i denne manual, før du bruger ladestationen.
- Hvis du er usikker på, hvordan du bruger ladestationen, kan du kontakte din forhandler for at få flere oplysninger.

## 5.1. Start og stop af en ladesession

### i Bemærk

Der vises også instruktioner om opladning på displayet.

1. Start af opladning:
  - Tag stikket ud af docken til ladestationen, og træk derefter ladekablet helt ud af ladestationen.
  - Tilslut ladekablet til dit køretøj.
  - Hvis du bruger et ladekort eller en nøglebrik, skal du holde den foran læseren på ladestationen for at starte opladningen.\*
2. Dit køretøj oplades.
3. Stop på opladning:
  - Hvis du anvender et ladekort eller en nøglebrik \*\*, skal du holde det hen foran læseren på ladestationen for at stoppe opladningen.\*
  - Afbryd ladekablet fra dit køretøj.
  - Sno ladekablet omkring ladestationen, og sæt derefter stikket i docken.



\* Når ladestationen er konfigureret til udelukkende at acceptere ladekort eller nøglebrikker.

\*\* Du skal bruge det samme ladekort eller nøglebrik, som du brugte til at starte ladesessionen.

## 5.2. Statusindikation

### **i** Bemærk

Ladestationens status bliver også vist på displayet.

### **i** Bemærk

Nogle funktioner og statusindikationer er ikke tilgængelige på alle modeller.

LED-ring	Farve	Tilstandsbeskrivelse
	Hvid (spinder)	Ladestationen starter, eller softwaren opdateres.
	Hvid (blinker)	Ladestationen venter på konfiguration ved hjælp af EVBox Install App.
	Grøn (konstant)	Ledig. Ladestationen er klar til brug.
	Rød (konstant)	Autentifikation ikke accepteret. Indikatoren skifter til grøn efter 5 sekunder.
	Blå (konstant)	<ul style="list-style-type: none"> <li>Ladestationen venter på køretøjet.</li> <li>Opladning sat på pause.</li> </ul>
	Blå (fyld fra bunden)	Køretøjet oplades.
	Grøn (blinker)	Ladesessionen er afsluttet. Køretøjet kan frakobles fra ladestationen.
	Orange (konstant)	Opladningen er langsom eller er sat på pause på grund af høj temperatur. Opladningen genoptages automatisk.



LED-ring	Farve	Tilstandsbeskrivelse
	Orange (blinker)	Opladning mislykkedes. Afbryd forbindelsen til køretøjet, og prøv igen.

### 5.3. Vedligeholdelse udført af brugeren

Brugeren af ladestationen er ansvarlig for ladestationens stand, hvorved både loven om personers, dyrs og ejendommers sikkerhed samt de i brugslandet gældende installationsforskrifter skal overholdes. Få ladestationen og dens installation eftersat af en kvalificeret elektriker med jævne mellemrum og i overensstemmelse med de gældende installationsbestemmelser i dit land.

#### FARE!

Hvis ladestationen udsættes for vand i større omfang, er der risiko for elektrisk stød, hvilket kan medføre alvorlig personskade eller død.

- Ret ikke kraftige vandstråler mod eller på ladestationen.
- Anbring ikke ladekontakten i nogen form for væske.

#### PAS PÅ

Brug ikke aggressive kemiske rengørings- eller opløsningsmidler til at rengøre ladestation.

1. Fjern snavs og naturligt organisk materiale fra ydersiden af ladestationen med en fugtig blød klud. Sørg for, at displayet, LED-ringen og lyssensoren er rene.
2. Kontroller visuelt ladestationen, ladekablet og ladestikket. Hvis du har mistanke om, at ladestationen, kablet eller stikket er beskadiget eller snavset, skal du kontakte en kvalificeret elektriker for at reparere eller udskifte de beskadigede komponenter.
3. Træk forsigtigt i ladestationen for at sikre, at den stadig er forsvarligt monteret. Sørg for, at stationens ydre cover er sikkert. Hvis ladestationen eller coveret er løst, skal du kontakte en kvalificeret elektriker for at geninstallere stationen korrekt.

### 5.4. Log ind på ladestationen

Ved hjælp af en smartphone, tablet eller bærbar computer med wi-fi kan brugeren logge ind på ladestationen for at ændre indstillinger som f.eks. wi-fi og se softwarelicenserne. Se [help.evbox.com](http://help.evbox.com) for at få vejledning.

## 6. Fejlfinding


#### FARE!

Servicering og reparation af denne ladestation, udført af en ikke-kvalificeret person, vil medføre risiko for elektrisk stød, hvilket kan medføre alvorlig personskade eller dødsfald.

- Det er kun en kvalificeret elektriker, der har tilladelse til at servicere og reparere ladestationen.
- Brugeren må ikke forsøge at servicere eller reparere ladestationen, fordi den ikke indeholder dele, der må serviceres af brugeren.

### 6.1. Fejlindikation

LED-ring	Farve	Tilstandsbeskrivelse	Handling
	Rød (konstant)	Der er opstået en fejl.	Følg instruktionerne på skærmen.

LED-ring	Farve	Tilstandsbeskrivelse	Handling
	Fra	Strømforsyningen har svigtet.	Kontroller strømforsyningen til stationen. Nulstil MCB'en eller RCD'en i strømforsyningskabet. For en station med indbygget RCBO skal du kontrollere, om RCBO'en er åben (se <a href="#">Tilgå RCBO på side 90</a> ).

**i Bemærk**

Nogle fejltilstande kan løses ved at slukke og tænde for strømmen igen.

- For stationer uden indbygget RCBO skal du slukke for strømmen og tænde den igen ved strømforsyningskabet.
- For stationer med indbygget RCBO skal du slukke for strømmen og tænde den igen ved hjælp af RCBO'en (se [Tilgå RCBO på side 90](#)).

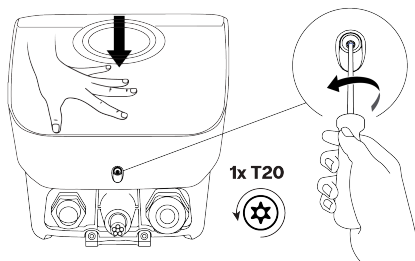
## 6.2. Tilgå RCBO

Denne procedure gælder kun for ladestationer, der har en indbygget RCBO. Der er adgang til RCBO'en via et adgangsdæksel på det indre dæksel. Før du starter denne fremgangsmåde, skal du sikre dig, at der er strøm til ladestationen.

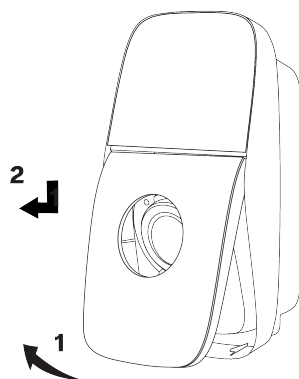
**i Bemærk**

Alle Torx T20-sikkerhedsskruer er ufravigelige. Du må ikke fjerne de ufravigelige skruer fuldstændigt fra ladestationen.

1. Hvis en EV er tilsluttet ladestationen, skal du frakoble EV'en.
2. Skub frontcoveret mod fjederen, og løs derefter en Torx T20-sikkerhedsskrue, der fastgør frontcoveret på ladestationen.



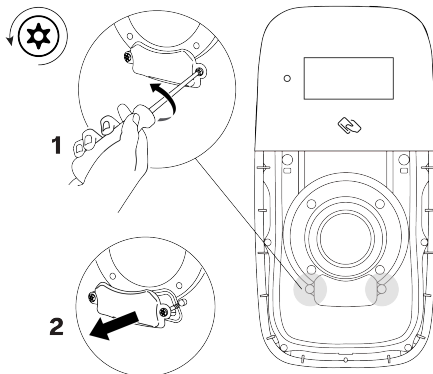
3. Drej frontcoveret opad, og fjern så frontcoverets øverste kant fra under skærmcoverets nederste kant.



## 6. Fejlfinding

4. Løs de to Torx T20 sikkerhedsskruer. Fjern RCBO-coveret fra det indre cover.

2x T20

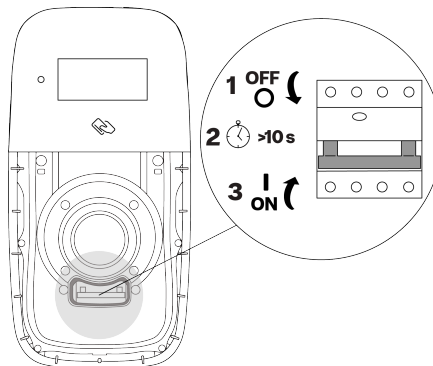


5. For at slukke og tænde for ladestationen igen skal du slukke for RCBO'en, vente 10 sekunder og derefter tænde for RCBO'en igen.

LED-ringen lyser hvidt for at indikere, at ladestationen er ved at starte op. Ladestationen er klar til at oplade en EV, når LED-ringen viser grønt.

### **i** Bemærk

Type B-RCBO'er er omvendt installerede i ladestationerne (dvs. på hovedet). Hvis ladestationen har en Type B-RCBO, er tænd- og sluk-retningerne omvendt.

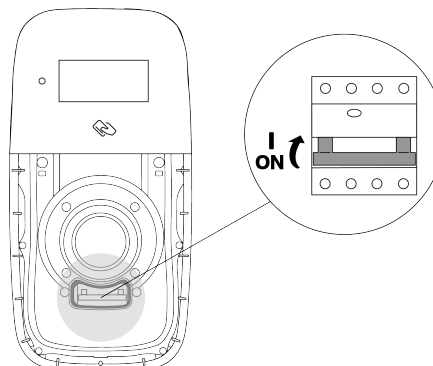


6. Hvis der er tale om en åben RCBO skal du flytte RCBO-kontakten ned.

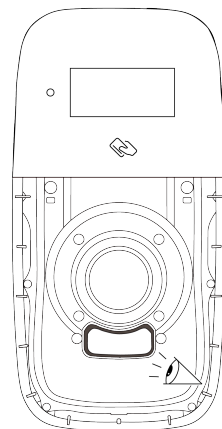
LED-ringen lyser hvidt for at indikere, at ladestationen er ved at starte op. Ladestationen er klar til at oplade en EV, når LED-ringen viser grønt.

### **i** Bemærk

Type B-RCBO'er er omvendt installerede i ladestationerne (dvs. på hovedet). Hvis ladestationen har en Type B-RCBO, er tænd- og sluk-retningerne omvendt.



7. Kontroller, at forseglingen på det indre cover er ren og ubeskadiget.

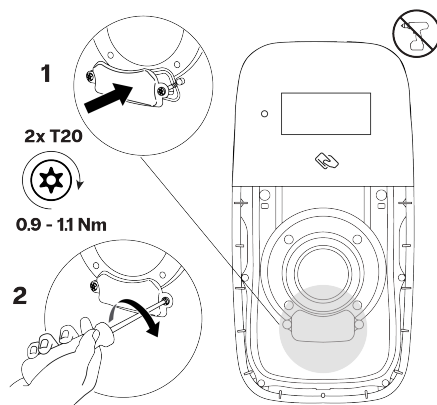


8. Monter RCBO-coveret på det indre cover. Tilspænd de to Torx T20-sikkerhedsskruer.

**⚠ PAS PÅ**

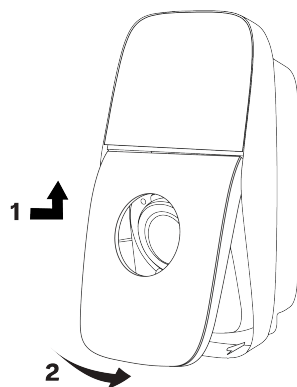
Brug af en skruetrækker med et højt drejningsmoment kan beskadige skruerne og komponenterne.

- Anvend kun en skruetrækker med lavt drejningsmoment med den korrekte momentindstilling.



9. Installer frontcover som følger:

- a. Sæt den øverste kant af frontcoveret ind under den nederste kant af skærmcoveret, og roter derefter coveret nedad for at tilpasse det nederste skruelihul.



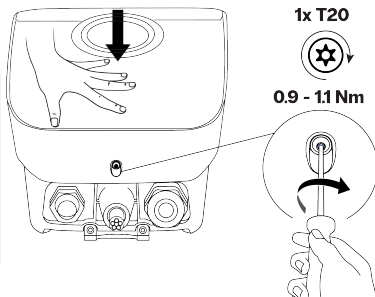
## 7. Nedlukning

- b. Skub frontcoveret mod fjederen. Spænd Torx T20-sikkerhedsskruen for at fastgøre frontdækslet på ladestationen.

### ⚠ PAS PÅ



Brug af en skruetrækker med et højt drejningsmoment kan beskadige skrueene og komponenterne.

- Anvend kun en skruetrækker med lavt drejningsmoment med den korrekte momentindstilling.



## 7. Nedlukning

Tag ladestationen ud af drift, og genbrug den i overensstemmelse med de gældende lokale regler for bortskaffelse.

	Smid ikke denne ladestation i husholdningsaffaldet. Bortskaf i stedet denne ladestation på en lokal genbrugsstation for elektriske/elektroniske enheder for at muliggøre genbrug og dermed undgå negative og farlige påvirkninger af miljøet. Spørg dit byråd eller lokale myndigheder om de respektive adresser.
	Genanvendelse af materialer sparer råvarer og energi og bidrager i høj grad til at bevare miljøet.



FR

Cet appareil et ses accessoires se recyclent

À DÉPOSER EN MAGASIN



À DÉPOSER EN DÉCHÈTERIE



OU

Points de collecte sur [www.quefairedemesdechets.fr](http://www.quefairedemesdechets.fr)  
Privilégiez la réparation ou le don de votre appareil !

## 8. Tillæg

### 8.1. Ordliste

Forkortelse	Betydning
1P	1-faset strømforsyning (indgang og udgang). Stationsvurderingen vises i bunden af stationen.
3P	3-faset strømforsyning (indgang og udgang). Stationsvurderingen vises i bunden af stationen.
AC	Vekselstrøm.
CMP	Charging Management Platform. Backend-plattformen, der forbinder en ladestation til CPO'en.
CPO	Ladepunktoperatør. Ejeren og/eller operatøren af installationen af ladestationen.
DSO	Distributionssystemoperatør. Den operatør, der er ansvarlig for elforsyningsnettet.
ESD	Elektrostatisk afladning.
EV	Elektrisk køretøj.
IK	Stødbeskyttelse.
IP	Indtrængningsbeskyttelse.
RF	Kommunikation med radiofrekvens.
LAN	Lokalt områdenetværk.
LED	Lysdiode (LED).
MCB	Miniaturekredsafbryder (MCB).
OCPP	Open Charge Point Protocol (åben ladepunktsprotokol).
PE	Beskyttelsesjord eller jordforbindelse.

Forkortelse	Betydning
RCBO	Fejlstrømsafbryder med overstrømsbeskyttelse.
RCD	Fejlstrømsafbryder (RCD).

## 8.2. EU-overensstemmelseserklæring

EVBox B.V. erklærer, at radioudstyrets type EVBox Liviqo er i overensstemmelse med direktiv 2014/53/EU. Den fulde tekst af EU-overensstemmelseserklæringen er tilgængelig på [help.evbox.com](http://help.evbox.com).

Lovgivningsmæssige oplysninger

Teknologi	Frekvensbånd	Maks. udgangseffekt
GSM 900	890 MHz – 915 MHz	27,77 dBm
GSM 1800	1710 MHz – 1785 MHz	24,77 dBm
LTE Band 3	1710 MHz – 1785 MHz	28,48 dBm
LTE Band 8	880 MHz – 915 MHz	28,48 dBm
LTE Band 20	832 MHz – 862 MHz	28,48 dBm
LTE Band 28	703 MHz – 748 MHz	28,48 dBm
WLAN (802.11b/g/n)	2412 MHz – 2484 MHz	16,79 dBm
WLAN (802.11a/n/ac)	5150 MHz – 5250 MHz	16,63 dBm
WLAN (802.11a/n/ac)	5725 MHz – 5850 MHz	11,46 dBm
RFID	13,56 MHz	19,00 dBm

# EVBox Liviqo

## Cable





1. Einführung	99
1.1. Umfang des Handbuchs	99
1.2. In diesem Handbuch verwendete Symbole	99
1.3. In diesem Handbuch verwendete Zeichen	100
1.4. Zertifizierung und Konformität	100
2. Sicherheit	100
2.1. Sicherheitshinweise	100
2.2. Vorsichtsmaßnahmen für Transport und Lagerung	102
3. Produktmerkmale	103
3.1. Beschreibung	103
3.2. Technische Spezifikationen	103
3.3. Gelieferte Komponenten	105
4. Montage- und Installationsanleitungen	105
4.1. Vorbereitung der Montage und Installation	105
4.1.1. Planung der Montage und Installation	105
4.1.2. Benötigte Werkzeuge	107
4.1.3. Anforderungen an die Stromversorgung	107
4.1.4. Optional: Dynamisches Lastmanagement	110
4.1.5. Optional: Cluster-Lastmanagement	111
4.1.6. Nur für zutreffende Länder: Leistungs-Fernregelung durch VNB	112
4.2. Auspacken	112
4.3. Wandhalterung und Ladestation montieren	114
4.4. Stromversorgungskabel anschließen	116
4.5. Ladestationkommunikation	122
4.5.1. Kommunikationskabel verlegen	123
4.5.2. Optional: Ethernet-Kabel für Internet anschließen	124
4.5.3. Optional: SIM-Karte für Internet installieren	125
4.5.4. Optional: Kabel für das dynamische Lastmanagement anschließen	126
4.5.5. Nur für zutreffende Länder: Kabel für Leistungs-Fernregelung anschließen	126
4.5.6. Kabelverschraubung festziehen	127
4.6. Abdeckungen der Ladestation montieren	128
4.7. Konfiguration	132
4.7.1. Ladestation konfigurieren	132
4.7.2. Optional: Ladestation an der CMP aktivieren	133
4.7.3. Betriebsbereit	133
5. Bedienhinweise	133
5.1. Einen Ladevorgang starten und beenden	133
5.2. Statusanzeige	134
5.3. Wartung durch den Benutzer	135
5.4. Anmelden an der Ladestation	135
6. Fehlerbehebung	136
6.1. Fehleranzeige	136
6.2. Zugang zum FI/LS-Schalter	136
7. Außerbetriebnahme	139
8. Anhang	139
8.1. Glossar	139



# 1. Einführung

Dieses Installations- und Benutzerhandbuch beschreibt, wie Sie die Ladestation installieren und betriebsbereit machen. Lesen Sie zunächst sorgfältig alle Sicherheitshinweise durch.

## 1.1. Umfang des Handbuchs

Die Installations- und Konfigurationsanweisungen in diesem Handbuch sind für qualifizierte Installateure gedacht, welche die notwendigen Arbeiten nachvollziehen und mögliche Gefahren erkennen können.

Das Benutzerhandbuch ist für die Benutzer der Ladestation bestimmt.

Bewahren Sie alle mit der Ladestation gelieferten Unterlagen während des gesamten Lebenszyklus des Produkts an einem sicheren Ort auf. Geben Sie alle Unterlagen an nachfolgende Eigentümer oder Benutzer des Produkts weiter.

Alle EVBox-Handbücher können heruntergeladen werden von [evbox.com/manuals](http://evbox.com/manuals).

### Haftungsausschluss

Das vorliegende Dokument wurde ausschließlich zu Informationszwecken verfasst und stellt weder ein bindendes Angebot von noch eine bindenden Vertrag mit EVBox dar. Die in dem Dokument gemachten Angaben entsprechen dem aktuellen Wissensstand von EVBox. Es wird keine (ausdrückliche oder stillschweigende) Gewähr für die Vollständigkeit, Genauigkeit, Zuverlässigkeit oder Gebrauchseignung der Inhalte und der dargestellten Produkte und Dienstleistungen gegeben. Spezifikationen und Leistungsdaten enthalten Durchschnittswerte innerhalb bestehender Spezifikationsgrenzen und können ohne vorherige Ankündigung geändert werden. EVBox lehnt ausdrücklich jegliche Haftung für direkte oder indirekte Schäden im weitesten Sinne ab, die sich aus der Verwendung oder Auslegung dieses Dokuments ergeben.

© EVBox. Alle Rechte vorbehalten. Der Name EVBox und das EVBox-Logo sind Handelsmarken der EVBox B.V. oder eines ihrer Tochterunternehmen. Dieses Dokument darf ohne die schriftliche Genehmigung von EVBox weder ganz noch in Teilen in jeglicher Form oder auf jegliche Weise geändert, vervielfältigt, verarbeitet oder verteilt werden.

EVBox Manufacturing B.V.  
Kabelweg 47  
1014 BA Amsterdam  
Niederlande  
[help.evbox.com](http://help.evbox.com)

## 1.2. In diesem Handbuch verwendete Symbole

### In diesem Handbuch verwendete Symbole

#### GEFAHR

Weist auf eine unmittelbare Gefahrensituation mit hohem Risikograd hin, die, wenn sie nicht vermieden wird, zu Tod oder schweren Verletzungen führen wird.

#### WARNUNG

Weist auf eine potentielle Gefahrensituation mit moderatem Risikograd hin, die bei Missachtung der Warnung zu Tod oder schweren Verletzungen führen kann.

#### ACHTUNG

Weist auf eine potentielle Gefahrensituation mit mittlerem Risikograd hin, die bei Missachtung des Warnhinweises zu leichten bis mittelschweren Verletzungen oder Schäden an der Ausrüstung führen kann.

#### Anmerkung

Hinweise enthalten hilfreiche Vorschläge oder Verweise auf Informationen, die nicht in diesem Handbuch enthalten sind.

- 1., a. oder i. Handlungen sind in der angegebenen Reihenfolge auszuführen.

### 1.3. In diesem Handbuch verwendete Zeichen



Eine Funktion auswählen



Installateur



Benutzer



Sichtprüfung durchführen



Nur an einem trockenen Ort verwenden



Keinen Akkuschrauber verwenden



Wechselstromversorgung

### 1.4. Zertifizierung und Konformität

	Die Ladestation wurde vom Hersteller CE-zertifiziert und trägt das CE-Logo. Die entsprechende Konformitätserklärung können Sie beim Hersteller erhalten.
	Elektrische und elektronische Geräte, einschließlich Zubehör, müssen getrennt vom allgemeinen Hausmüll entsorgt werden.
	Das Recycling von Materialien spart Rohstoffe und Energie und leistet einen großen Beitrag zum Umweltschutz.



FR

Cet appareil et ses accessoires se recyclent

À DÉPOSER EN MAGASIN



À DÉPOSER EN DÉCHÈTERIE



OU

Points de collecte sur [www.quefairedemesdechets.fr](http://www.quefairedemesdechets.fr)  
Privilégiez la réparation ou le don de votre appareil !

#### Anmerkung

Siehe [EU-Konformitätserklärung auf Seite 140](#) für die Konformitätserklärung für dieses Produkt.

## 2. Sicherheit

### 2.1. Sicherheitshinweise

#### GEFAHR

Bei Nichtbeachtung der in diesem Handbuch enthaltenen Montage- und Bedienungshinweise besteht die Gefahr eines Stromschlags, der zu schweren Verletzungen oder zum Tod führt.

- Lesen Sie sich dieses Handbuch vor Montage und Betrieb der Ladestation sorgfältig durch.

#### GEFAHR

Bei Montage, Installation, Wartung, Reparatur und Verlegung dieser Ladestation durch eine nicht qualifizierte Person besteht die Gefahr eines Stromschlags, der zu schweren Verletzungen oder zum Tod führt.

- Die Ladestation darf nur von einer qualifizierten Elektrofachkraft installiert, gewartet, repariert und versetzt werden.
- Der Benutzer darf die Ladestation weder warten noch selbst reparieren, da die Ladestation keine vom Benutzer zu wartenden Komponenten enthält.
- Je nach Region oder Land der Nutzung können abweichende örtliche Bestimmungen gelten. Der Elektrofachkraft muss immer sicherstellen, dass die Ladestation gemäß den örtlichen Vorschriften installiert wird.

#### GEFAHR

Arbeiten an elektrischen Anlagen ohne entsprechende Vorsichtsmaßnahmen bergen die Gefahr eines Stromschlags, der zu schweren Verletzungen oder zum Tod führt.

- Schalten Sie die Stromversorgung aus, bevor Sie die Ladestation installieren.
- Schalten Sie die Ladestation nicht ein, solange sie nicht vollständig installiert oder gesichert ist.
- Installieren Sie keine fehlerhafte bzw. erkennbar defekte Ladestation.

### **GEFAHR**

Wird die Ladestation größeren Wassermengen ausgesetzt, besteht die Gefahr eines Stromschlags, der schwere oder tödliche Verletzungen verursacht.

- Setzen Sie die Ladestation keinem starken Wasserstrahl aus.
- Tauchen Sie niemals den Ladestecker in Flüssigkeiten ein.

### **GEFAHR**

Beim Betrieb der Ladestation in beschädigtem oder abgenutztem Zustand besteht die Gefahr eines Stromschlags, der zu schweren Verletzungen oder zum Tod führt.

- Betreiben Sie die Ladestation nicht, wenn die Stromversorgungskomponenten, das Gehäuse oder ein EV-Stecker defekt, gerissen oder offen sind oder andere Anzeichen einer Beschädigung aufweisen.
- Betreiben Sie die Ladestation nicht, wenn ein Ladekabel ausgefranst oder seine Isolierung beschädigt ist, oder wenn es andere Anzeichen einer Beschädigung aufweist.
- Bei Gefahr und/oder einem Unfall muss unverzüglich die Stromversorgung zur Ladestation getrennt werden.
- Wenden Sie sich an Ihren Installateur, wenn Sie den Verdacht haben, dass die Ladestation beschädigt ist.

### **WARNUNG**

Wird die Ladestation bei feuchten Umgebungsbedingungen (wie Regen oder Nebel) installiert, besteht die Gefahr eines Stromschlags und einer Beschädigung des Produkts, was schwere oder tödliche Verletzungen zur Folge haben kann.

- Installieren oder öffnen Sie die Ladestation nicht bei feuchten Umgebungsbedingungen (wie Regen oder Nebel).

### **WARNUNG**

Bei unsachgemäßer Verwendung der Ladestation besteht die Gefahr eines Stromschlags, der zu Verletzungen oder zum Tod führen kann.

- Stellen Sie vor Beginn jedes Ladevorgangs sicher, dass die Kontaktfläche des Ladesteckers frei von Schmutz und Feuchtigkeit ist.
- Stellen Sie sicher, dass das Ladekabel so verlegt ist, dass niemand darauf treten, darüber stolpern bzw. über das Kabel fahren kann und es auf keine andere Weise übermäßiger Kräfteinwirkung oder Beschädigungen ausgesetzt wird. Achten Sie darauf, das nicht mehr benutzte Ladekabel korrekt zu verstauen und stellen Sie sicher, dass der Ladestecker nicht auf dem Boden aufliegt.
- Ziehen Sie den Ladestecker nur am Handgriff des Ladesteckers und niemals am Ladekabel selbst.
- Halten Sie die Ladestation, das Ladekabel sowie den Ladestecker fern von Wärmequellen, Schmutz und Wasser.
- Verwenden Sie in der Nähe der Ladestation keine explosiven oder entflammaren Substanzen.

### **WARNUNG**

Schließen Sie keine Adapter, Konverter oder Kabelverlängerungen an der Ladestation an, da dies zu Kompatibilitätsproblemen führen und Schäden an der Ladestation verursachen kann, die möglicherweise zu Verletzungen oder zum Tod führen.

- Nutzen Sie diese Ladestation ausschließlich zum Aufladen von Elektrofahrzeugen, die damit kompatibel sind. Weitere Einzelheiten entnehmen Sie bitte den technischen Daten der Ladestation im Installationshandbuch der Ladestation.
- Entnehmen Sie der Bedienungsanleitung Ihres Fahrzeugs, ob Ihr Fahrzeug entsprechend kompatibel ist.

### **WARNUNG**

Werden Ladestation oder Ladekabel Wärmequellen oder brennbaren Substanzen ausgesetzt, kann es zu Schäden an der Ladestation kommen, die möglicherweise zu Verletzungen oder zum Tod führen.

- Stellen Sie sicher, dass Ladestation und Ladekabel nie in Kontakt mit Wärmequellen kommen.
- Verwenden Sie in der Nähe der Ladestation keine explosiven oder entflammaren Substanzen.

**⚠️ WARNUNG**

Die Verwendung der Ladestation unter Bedingungen, die nicht in diesem Handbuch aufgeführt sind, kann zu Schäden an der Ladestation führen, die wiederum zu Verletzungen oder zum Tod führen können.

- Verwenden Sie die Ladestation nur unter den in diesem Handbuch angegebenen Betriebsbedingungen.

**⚠️ WARNUNG**

Bei Arbeiten an elektrischen Anlagen ohne persönliche Schutzausrüstung besteht möglicherweise Verletzungsgefahr.

- Tragen Sie persönliche Schutzausrüstung wie Augenschutz, schnittfeste Handschuhe und rutschfeste Sicherheitsschuhe, um Verletzungen vorzubeugen.

**⚠️ WARNUNG**

Im Brandfall können bei Nichtbeachtung der Hinweise zur Brandbekämpfung zusätzliche Risiken entstehen, die zu Verletzungen oder zum Tod führen können.

- Wenn dies sicher durchgeführt werden kann, lassen Sie die Stromzufuhr zu der brennenden oder durch einen Brand gefährdeten Anlage trennen.
- Verwenden Sie kein Wasser, um Brände an elektrische Anlagen und Geräten zu löschen, die nicht vom Stromnetz getrennt worden sind.
- Verwenden Sie zum Löschen einer Ladestation einen Feuerlöscher, der für die Verwendung an elektrischen Anlagen mit einer Nennspannung von 1 kV ausgelegt ist.

**⚠️ ACHTUNG**

Das Laden eines Fahrzeugs mit einem nicht vollständig abgerollten Ladekabel kann zu einer Überhitzung des Kabels und damit zur Beschädigung der Ladestation führen.

- Wickeln Sie das Ladekabel vollständig ab, damit es keine überlappenden Schleifen mehr enthält, bevor Sie es an das Fahrzeug anschließen.

**⚠️ ACHTUNG**

Wenn Sie Finger in den Steckeranschluss stecken oder andere Gegenstände darin zurücklassen (beispielsweise bei der Reinigung), kann das zu Verletzungen oder Schäden an der Ladestation führen.

- Stecken Sie nicht Ihre Finger in den Steckeranschluss.
- Lassen Sie keine Gegenstände im Steckeranschluss liegen.

**⚠️ ACHTUNG**

Werden keine Vorkehrungen gegen elektrostatische Entladung (ESD) getroffen, kann dies zu Schäden an elektronischen Bauteilen der Ladestation führen.

- Ergreifen Sie deswegen die notwendigen Vorsichtsmaßnahmen gegen ESD, bevor Sie elektronische Bauteile berühren.

**⚠️ ACHTUNG**

Werden Firmware-Aktualisierungen für diese Ladestation nicht aktiviert oder verfügbare Firmware-Aktualisierungen deaktiviert, abgelehnt oder anderweitig nicht installiert, kann dies in der Ladestation zu Problemen und Funktionsstörungen führen und die Ladestation anfälliger für Sicherheitsrisiken machen.

## 2.2. Vorsichtsmaßnahmen für Transport und Lagerung

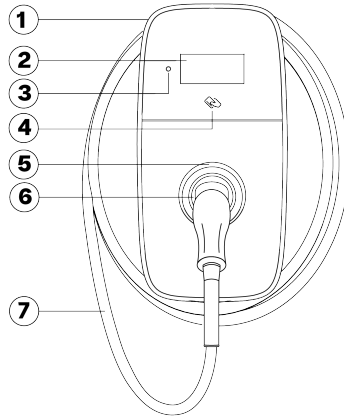
Befolgen Sie beim Transport und bei der Lagerung der Ladestation folgende Punkte:

- Heben Sie die Ladestation niemals an ihrem Ladekabel an.
- Trennen Sie die Stromversorgung, bevor Sie die Ladestation zur Lagerung oder zum Transport an einen anderen Standort demontieren.
- Transportieren und lagern Sie die Ladestation nur in deren Originalverpackung. Für Schäden, die durch den Transport des Produkts in einer anderen Verpackung entstehen, kann keine Haftung übernommen werden.
- Lagern Sie die Ladestation an einem trockenen Ort, dessen Temperatur und Luftfeuchtigkeit innerhalb der in den technischen Daten angegebenen Bereiche liegt (siehe [Technische Spezifikationen auf Seite 103](#)).

## 3. Produktmerkmale

### 3.1. Beschreibung

1. **Ladestation**  
Die Ladestation versorgt das Elektrofahrzeug (EV) sicher mit Strom aus dem Netz.
2. **Display**  
Das Display führt den Benutzer durch die erforderlichen Aktionen und zeigt Informationen zum Ladevorgang an.
3. **Lichtsensord und Näherungssensor**  
Der Lichtsensor misst die Lichtstärke und passt die Helligkeit des Displays und des LED-Rings automatisch an. Der Näherungssensor schaltet das Display ein, wenn sich eine Person der Ladestation nähert.
4. **RFID-Lesegerät**  
In diesem Bereich scannen Sie Ihre Ladekarte oder Ihren Schlüsselanhänger, um einen Ladevorgang zu starten oder zu beenden.
5. **LED-Ring**  
Der LED-Ring zeigt den Status der Ladestation an.
6. **Aufnahme**  
Der Stecker des Ladekabels wird in der Aufnahme aufbewahrt, wenn das Ladekabel nicht verwendet wird.
7. **Ladekabel**  
Das Ladekabel verbindet die Ladestation mit dem EV. Das Ladekabel wird zum Verstauen um die Station gewickelt, wenn es nicht verwendet wird.



### 3.2. Technische Spezifikationen

Merkmal	Beschreibung
<b>Elektrische Eigenschaften</b>	
Maximale Ladeleistung	Bis zu 22 kW (3 Phasen, 32 A) <b>i Anmerkung</b> Leistungsreduzierung möglich. Die Ladeleistung hängt von Faktoren wie Ladebedarf des Elektrofahrzeugs, verfügbarer Stromversorgung und Umgebungstemperatur ab.
Lademodus	Mode 3 (IEC 61851-1)
Fest angeschlossenes Ladekabel	Type-2-Stecker (IEC 62196-1, IEC 62196-2)
Ladekabellänge	6 m
kWh-Zähler	MID-zertifiziert mit Klasse-B-Genauigkeit (EN-50470) Eichrechtkonformer Zähler <sup>(1)</sup>
Anschlusswerte	6–32 A konfigurierbar 1-phasig, 230 V ±10 %, maximal 32 A ±6 %, 50/60 Hz 3-phasig, 400 V ±10 %, maximal 32 A ±6 %, 50/60 Hz
Außendurchmesser des Stromversorgungskabels	12 bis 25 mm

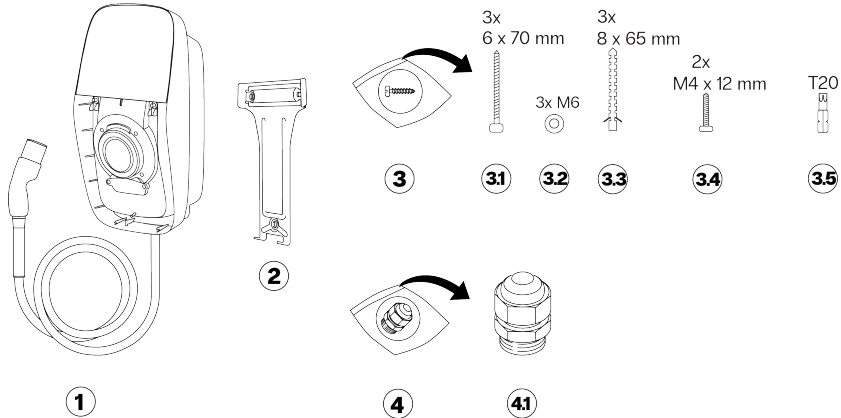
Merkmale	Beschreibung
Leiterquerschnitt des Stromversorgungskabels	Massivdraht: maximal 16 mm <sup>2</sup> Litze mit Endhülse (keine Kunststoffhülse): maximal 10 mm <sup>2</sup>
Bemessungsstoßspannung ( <i>U<sub>imp</sub></i> )	4000 V
Bemessungsisolationsspannung ( <i>U<sub>i</sub></i> )	250 V AC (Phase-Erde) 450 V AC (Phase-Phase)
Ableitstromerkennung	Auslösezeiten und -grenzen entsprechen IEC 61851-1:2017 Cl. 8.5 (in Übereinstimmung mit IEC 62955:2018 Tabelle 2). Siehe <a href="#">Anforderungen an die Stromversorgung auf Seite 107</a> . FI/LS-Schalter: Typ A oder Typ B
<b>Umgebungsbedingungen und Schutzklasse</b>	
Betriebstemperaturbereich	-30 °C bis +50 °C
Lagertemperaturbereich	-40 °C bis +80 °C
Feuchtigkeit (nicht kondensierend)	5 % bis 95 %
Maximale Aufstellhöhe	2000 m über dem Meeresspiegel
Gehäuse-Schutzart	IP55 (IEC 60529), IK10 (IEC 62262)
Schutzklasse	Schutzklasse I und Überspannungskategorie III
Verschmutzungsgrad der Makroumgebung	Verschmutzungsgrad 3
Klassifizierung hinsichtlich Elektromagnetischer Verträglichkeit (EMV)	Umgebung A und Umgebung B (in Übereinstimmung mit IEC 61439-1)
Mechanische Festigkeit der ortsfesten Baugruppe	Hohe Festigkeit
<b>Vernetzung</b>	
Autorisierung	RFID-Lesegerät oder mittels App
WLAN	2,4/5 GHz
Lokales Netzwerk (LAN)	Ethernet
Mobilfunkkommunikation	4G LTE-M (2G als Rückfallebene unterstützt)
Kommunikationsprotokoll	OCPP 2.0.1
Intelligente Ladefunktionen	Dynamisches Lastmanagement, Cluster-Lastmanagement, EEBus-konform, ISO 15118 (hardwareseitig vorbereitet)
<b>Physikalische Eigenschaften</b>	
Abmessungen (B x H x T)	256 x 508 x 211 mm
Gewicht	Ca. 8,4 kg
Gehäusematerial	Kohlenstoffarmes Makrolon RE <sup>o</sup>
HMI	5" 800 x 480 WVGA IPS LCD, LED-Ring, Summer, Autorisierung
<b>Zertifizierung und Konformität</b>	
Stromversorgungseingang	EV-Versorgungseinrichtung, fest verbunden mit Wechselstrom-Versorgungsnetz
Stromversorgungsaustritt	EV-Wechselstrom-Versorgungseinrichtung
Normale Umgebungsbedingungen	Einsatz im Innen- und Außenbereich
Zugang	Gerät für Standorte mit freiem Zugang
Gerätetyp	Ortsfestes Gerät zur Wand- oder Mastmontage

<sup>(1)</sup>Optional.



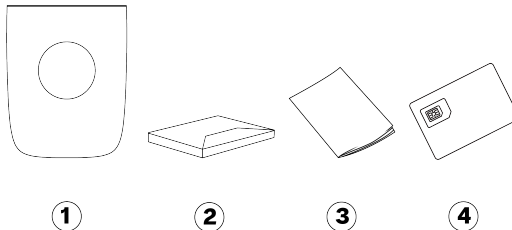
### 3.3. Gelieferte Komponenten

#### Komponenten im Karton der Ladestation



- |   |  |
|---|--|
| <p>1 Ladestation mit Ladekabel<br/>                 2 Wandhalterung<br/>                 3 Montagesatz<br/>                 3.1 Spaxschrauben, 6 x 70 mm, T20, 3 Stück<br/>                 3.2 Unterlegscheiben, M6, 3 Stück</p> | <p>3.3 Wanddübel, 8 x 65 mm, 3 Stück<br/>                 3.4 Schrauben, M4 x 12 mm, T20, 2 Stück<br/>                 3.5 Torx-Bit, T20 Security<br/>                 4 Kabelverschraubungssatz<br/>                 4.1 Kabelverschraubung, 12–20 mm mit Dichtung und Blindstopfen</p> |
|---|--|

#### Komponenten im Karton mit der Abdeckung



- |  |  |
|--|--|
| <p>1 Frontabdeckung<br/>                 2 Willkommenspaket (optional)</p> | <p>3 Installations- und Benutzerhandbuch<br/>                 4 SIM-Karte (optional)</p> |
|--|--|

## 4. Montage- und Installationsanleitungen

### 4.1. Vorbereitung der Montage und Installation

#### 4.1.1. Planung der Montage und Installation

Die folgenden Empfehlungen dienen als Anleitung für die Planung der Installation der Ladestation.

##### Standortwahl

- Bringen Sie die Ladestation, soweit möglich, so an, dass sie keiner direkten Sonneneinstrahlung ausgesetzt bzw. vor äußerer Beschädigung geschützt ist.
- Die Wand muss eben sein und eine Last von mindestens 100 kg tragen können.
- Rund um die Ladestation muss ein Freiraum von mindestens 300 mm gegeben sein.
- Der Standort muss so gewählt werden, dass das Ladekabel nicht abgeknickt wird.
- Das Stromversorgungskabel kann der Ladestation von oben oder unten zugeführt werden. Die untere Kabeleinführung A ist für alle Standorte geeignet. Die obere Kabeleinführung B darf nur dort verwendet

werden, wo sie nicht mit Regen oder Feuchtigkeit in Berührung kommen kann.

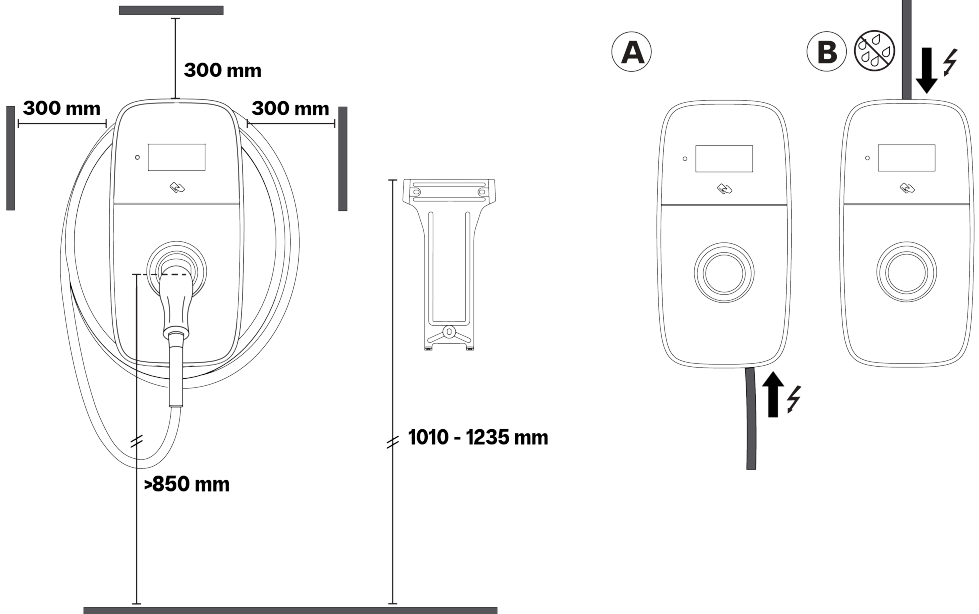
### ⚠ ACHTUNG

Gefahr von Wassereintritt bei Verwendung der oberen Kabeleinführung B im Außenbereich. Mit der Zeit können Regen und Feuchtigkeit entlang des Stromversorgungskabels in die Ladestation eindringen, wodurch die Ladestation beschädigt werden kann.

- Kommunikationskabel werden ausschließlich von unten in die Ladestation eingeführt.

### i Anmerkung

Die nachfolgende Abbildung zeigt die minimal empfohlene Montagehöhe. Beachten und befolgen Sie die örtlichen Vorschriften zur Barrierefreiheit.

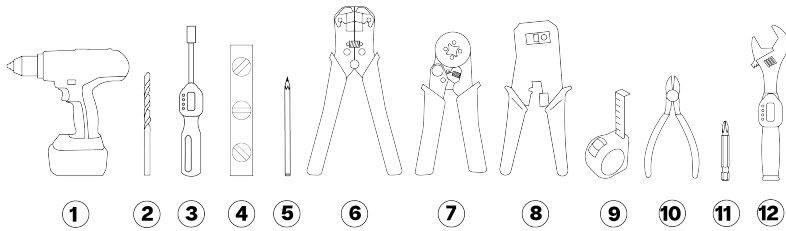


## Checkliste vor Montage und Installation

Überprüfen Sie bitte Folgendes, bevor Sie mit der Montage und Installation der Ladestation beginnen:

- Die Installation erfolgt in Übereinstimmung mit der Norm DIN IEC 60364 und den geltenden örtlichen Vorschriften.
- Alle erforderlichen Genehmigungen wurden von der zuständigen örtlichen Behörde eingeholt.
- Die vorhandene elektrische Last wurde berechnet, um den maximalen Betriebsstrom für die Ladeanlage zu bestimmen.
- Bei einer Ladestation ohne FI/LS-Schalter sind ein Leitungsschutzschalter (LS-Schalter) und ein Fehlerstrom-Schutzschalter (FI-Schalter) vorgeschaltet und weisen die erforderlichen Nennwerte auf. Siehe [Anforderungen an die Stromversorgung auf Seite 107](#).
- Das Stromversorgungskabel mit der richtigen Spezifikation ist zum Installationsbereich verlegt worden, und es ist genügend Kabellänge vorhanden, um die Drähte abzuisolieren und anzuschließen.
- Die Biegetoleranz des Stromversorgungskabels wird während und nach der Installation eingehalten.
- Die empfohlenen Werkzeuge sind vor Ort verfügbar. Siehe [Benötigte Werkzeuge auf Seite 107](#).
- Die Dübel, Schrauben und Bohrer, die zur Montage der Ladestation verwendet werden, sind für den Wandaufbau geeignet.
- Bei der Verwendung eines Clusters wurde die richtige Phasenfolge geplant und die Anforderungen werden erfüllt. Siehe [Optional: Cluster-Lastmanagement auf Seite 111](#).

4.1.2. Benötigte Werkzeuge



- |  |                                     |
|--|-------------------------------------|
| 1. Bohrmaschine                                      | 7. Aderendhülsenzange               |
| 2. Steinbohrer, 8 mm (5/16 in)                       | 8. Abisolier- und Crimpzange (RJ45) |
| 3. Drehmomentschraubendreher mit Bithalter, 0,5–3 Nm | 9. Maßband                          |
| 4. Wasserwaage                                       | 10. Seitenschneider                 |
| 5. Bleistift   | 11. Schraubendreher-Bit, PH2        |
| 6. Abisolierzange (Stromversorgungskabel)            | 12. Drehmomentschlüssel, 3–6 Nm     |

4.1.3. Anforderungen an die Stromversorgung

**⚠ GEFAHR**

Ein Anschluss der Ladestation an das Stromnetz, der anders als in diesem Abschnitt beschrieben ausgeführt wird, führt zu einer Inkompatibilität der Installation und zur Gefahr eines Stromschlags, der die Ladestation beschädigt und zu Verletzungen oder zum Tod führt.

- Schließen Sie die Ladestation nur in einer Konfiguration an, die in diesem Abschnitt vorgegeben ist.

Erdungssystem	TN-S- und TNC-S-Netze	PE-Kabel.
	TT-System IT-System	Erdungselektrode, separat installiert (in Eigenleistung zu installieren).
Eingangsspannung (Phase)	1-phasig	230 V ±10 %, bis zu 32 A ±6 %, 50/60 Hz.
	3-phasig	400 V ±10 %, bis zu 32 A ±6 %, 50/60 Hz.
LS-Schalter (Leitungsschutzschalter)	<ul style="list-style-type: none"> <li>• Auslösecharakteristik: Typ C.</li> <li>• Der Auslösestrom des LS-Schalters kann bei hohen Umgebungstemperaturen im Verteilerschrank der Stromversorgung abnehmen. Berücksichtigen Sie bei der Auslegung des LS-Schalters möglicherweise auftretende höhere Umgebungstemperaturen.</li> <li>• Nicht erforderlich bei Stationen mit eingebautem FI/LS-Schalter (RCBO).</li> </ul> <p><b>i Anmerkung</b></p> <ul style="list-style-type: none"> <li>• Die Installation, einschließlich dem Leitungsschutzschalter, müssen der Norm DIN IEC 60364 und den geltenden örtlichen Vorschriften entsprechen.</li> <li>• Der LS-Schalter muss, in Übereinstimmung mit den Herstellerangaben des LS-Schalters, entsprechend den Stromstärkeinstellungen der Ladestation und dem maximalen Strom, der für die Ladestation zur Verfügung gestellt wird, ausgewählt werden.</li> <li>• Der maximale I<sup>2</sup>t-Wert des LS-Schalters darf 75 000 A<sup>2</sup>s nicht übersteigen.</li> </ul>	

DE

FI-Schalter  
(Fehlerstrom-  
Schutzeinrichtung)

- Bemessungsstrom des FI-Schalters: Der Bemessungsstrom muss der Stromstärke der Ladestation entsprechen.
- Standardinstallationen:
  - Für Frankreich muss der FI-Schutzschalter ein Typ-B-Schalter mit einem Nennstrom von 20 A oder 40 A sein und einen maximalen AC-Ableitstrom von 30 mA erkennen können.
  - In anderen Ländern muss der FI-Schutzschalter vom Typ A, F oder B mit einem Nennstrom von 20 A, 32 A oder 40 A sein und über eine AC-Ableitstromerkennung von maximal 30 mA verfügen.
- EV Ready-Installationen: Der FI-Schalter muss vom Typ A+ mit hoher Störfestigkeit sein (beispielsweise: HPI, SI, HI, KV usw., je nach Hersteller des FI-Schalters).
- Nicht erforderlich bei Stationen mit eingebautem FI/LS-Schalter (RCBO).

**i Anmerkung**

- Die Installation, einschließlich FI-Schalter, muss in Übereinstimmung mit der Norm DIN IEC 60364 und den geltenden örtlichen Vorschriften erfolgen.
- Die Ladestation hat eine interne Gleichstrom-Fehlerstromerkennung, deren Auslösezeiten und -grenzen der IEC 61851-1:2017 Cl. 8.5 (in Übereinstimmung mit IEC 62955:2018 Tabelle 2) entsprechen.

**Stromversorgung anschließen**

Die nachfolgenden Tabellen stellen dar, wie die Stromversorgung an die Ladestation anzuschließen ist, abhängig von der Art der Stromversorgung und der Konfiguration der Station.

**⚠ WARNUNG**

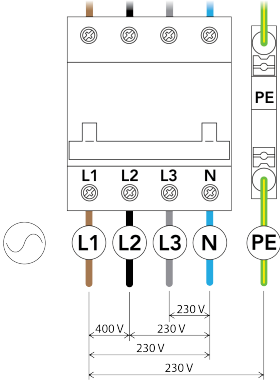
Der Anschluss einer IT-Stromversorgung (ohne Neutralleiter) an einen eingebauten FI/LS-Schalter vom Typ A kann zu einer Beschädigung der Ladestation führen, die Verletzungen oder den Tod zur Folge haben kann.

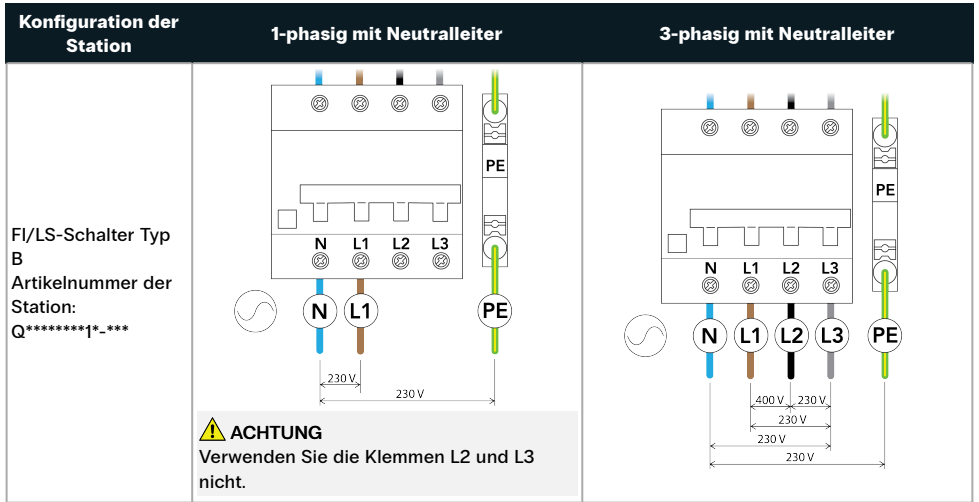
- Schließen Sie nur eine dreiphasige TN- oder TT-Stromversorgung (mit Neutralleiter) an einen eingebauten FI/LS-Schalter vom Typ A an.

**TN- und TT-Stromversorgungsnetz zum FI/LS-Schalter**

**i Anmerkung**

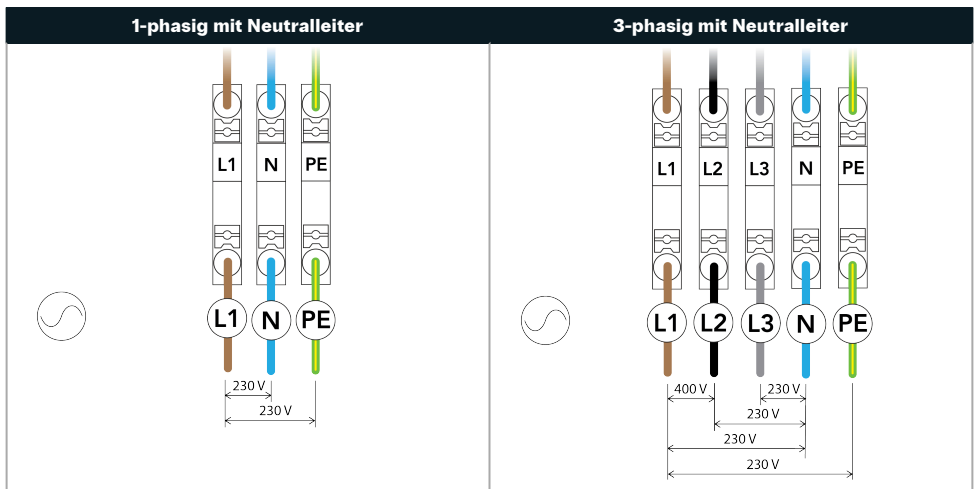
Dieser Abschnitt gilt nur für Stationen mit einem eingebauten FI/LS-Schalter.

Konfiguration der Station	1-phasig mit Neutralleiter	3-phasig mit Neutralleiter
FI/LS-Schalter Typ A Artikelnummer der Station: Q*****8*.***	<p><b>⚠ ACHTUNG</b></p> <p>Nicht unterstützt. Schließen Sie eine einphasige Stromversorgung nicht an eine Station mit einem 3-phasigen FI/LS-Schalter mit Neutralleiter an.</p>	



TN- und TT-Stromversorgungsnetz

**i Anmerkung**  
 Dieser Abschnitt gilt nur für Stationen ohne eingebauten FI/LS-Schalter.



IT-Stromversorgung (ohne Neutraleiter) an FI/LS-Schalter

**⚠ ACHTUNG**  
 Stellen Sie sicher, dass die örtlichen Vorschriften die Installation dieser Ladestation in einem IT-Netz ohne Neutraleiter zulassen. Vergewissern Sie sich, dass das Elektrofahrzeug mit dieser Art der Installation kompatibel ist.

**i Anmerkung**  
 Dieser Abschnitt gilt nur für Stationen mit einem eingebauten FI/LS-Schalter.

DE

Konfiguration der Station	2-phasig ohne Neutralleiter	3-phasig ohne Neutralleiter
FI/LS-Schalter Typ B Artikelnummer der Station: Q*****1*_***		
	<p><b>⚠ ACHTUNG</b> Verwenden Sie die Klemmen L2 und L3 nicht.</p>	<p><b>⚠ ACHTUNG</b> Verwenden Sie nicht die Klemme L3.</p>

**IT-Stromversorgungsnetz (ohne Neutralleiter)**

**⚠ ACHTUNG**  
Stellen Sie sicher, dass die örtlichen Vorschriften die Installation dieser Ladestation in einem IT-Netz ohne Neutralleiter zulassen. Vergewissern Sie sich, dass das Elektrofahrzeug mit dieser Art der Installation kompatibel ist.

**i Anmerkung**  
Dieser Abschnitt gilt nur für Stationen ohne eingebauten FI/LS-Schalter.

2-phasig ohne Neutralleiter	3-phasig ohne Neutralleiter
<p><b>⚠ ACHTUNG</b> Verwenden Sie die Klemmen L2 und L3 nicht.</p>	<p><b>⚠ ACHTUNG</b> Verwenden Sie nicht die Klemme L3.</p>

**4.14. Optional: Dynamisches Lastmanagement**

Ein System zum dynamischen Lastmanagement überwacht den Stromverbrauch aller Elektrogeräte, die dieselbe Stromquelle nutzen. Die übermittle ein Steuersignal an die Ladestation, um die Stromzufuhr von der Station zum Fahrzeug zu regeln, so dass der Gesamtstromverbrauch an der Stromquelle innerhalb vorgegebener Grenzen bleibt. In einer Cluster-Installation regelt die vernetzte Ladestation die anderen im Cluster angeschlossenen Ladestationen.

Dynamisches Lastmanagement erfordert ein kabelgebundenes Eingangssignal von einem Lastmanagement-

Erkennungssystem (siehe [Ladestationkommunikation auf Seite 122](#)).

#### 4.1.5. Optional: Cluster-Lastmanagement

Eine Installation mit Cluster-Lastmanagement besteht aus mehreren Ladestationen, die in einem Cluster (einer Gruppe) verbunden sind. Ein Cluster ermöglicht den Aufbau eines intelligenten Stromnetzes über den gesamten Cluster hinweg, um den Stromverbrauch zu optimieren. Jede beliebige Station eines Clusters kann als vernetzte Station verwendet werden. Der Cluster wird mit EVBox Install App eingerichtet. Um ein ordnungsgemäßes Lastmanagement zu gewährleisten, müssen alle Stationen im Cluster an demselben Versorgungsstromkreis angeschlossen werden.

Das Cluster-Lastmanagement erfordert, dass jede Station im Cluster über die Ethernet-Verbindung mit demselben lokalen Netzwerk (LAN) verbunden ist (siehe [Ladestationkommunikation auf Seite 122](#)).

#### Anforderungen an das Cluster-Lastmanagement

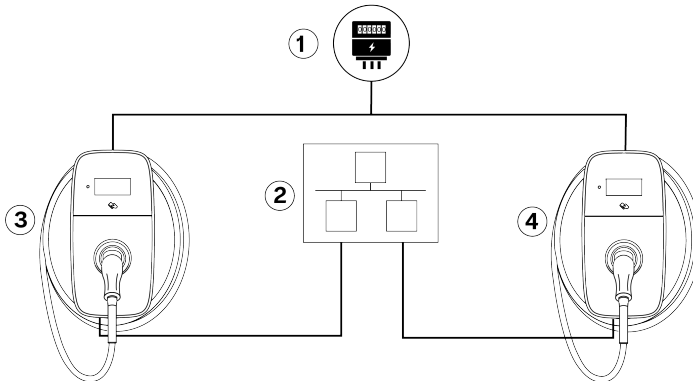
Ethernet-Switch	<ul style="list-style-type: none"> <li>• IPv6-Unterstützung</li> <li>• Nicht verwaltet</li> <li>• Anzahl der Anschlüsse: Die Anzahl der Anschlüsse muss gleich oder größer sein als die Anzahl der an den Cluster angeschlossenen Ladegeräte.</li> <li>• RJ45-Anschluss</li> <li>• 100 Mbps oder höher</li> <li>• Statisches Multicasting: Deaktiviert</li> <li>• Dynamisches Multicasting (MLD-Snooping): Deaktiviert</li> </ul> <div style="background-color: #f0f0f0; padding: 5px; margin-top: 10px;"> <p><b>i Anmerkung</b></p> <ul style="list-style-type: none"> <li>◦ Bei großen Clustern können zwei oder mehr Switches im selben Netzwerk kombiniert werden.</li> <li>◦ Ein zusätzlicher Anschluss ist erforderlich, wenn der Switch für eine Internetverbindung verwendet wird.</li> </ul> </div>
Kabel	<ul style="list-style-type: none"> <li>• CAT5</li> <li>• Länge: 100 m maximale Länge für jeden Clusterknoten</li> </ul>

#### Anschlusschema

Die folgende Abbildung zeigt, wie mehrere Ladestationen in einem Cluster verbunden werden.

**i Anmerkung**

Die Abbildung zeigt nicht die Internetverbindung der Ladestation. Die Internetverbindung der Ladestation kann über Mobilfunk, WLAN oder Ethernet hergestellt werden.



1. Stromversorgung

3. AC-Ladegerät 1

## 2. Ethernet-Switch

## 4. AC-Ladegerät N

DE

**Phasenrotation**

Um eine Überlastung der ersten Phase durch einphasige Elektrofahrzeuge zu vermeiden, muss die Phasenfolge für jede Ladestation, die an eine dreiphasige Versorgung in einer Power-Sharing-Installation angeschlossen wird, mit dem EVBox Install App eingerichtet werden.

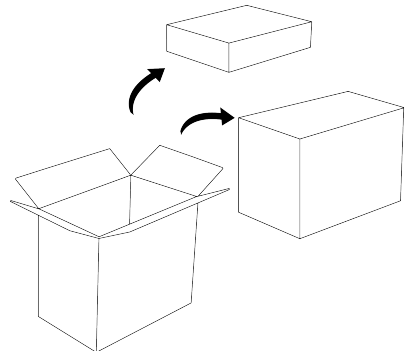
**4.1.6. Nur für zutreffende Länder: Leistungs-Fernregelung durch VNB**

Gemäß den Technischen Anschlussregeln der VDE-AR-N-4100:2019-04 Cl. 10.6.4 muss eine Ladestation mit einer Gesamtnennleistung über 12 kVA mit einer Schnittstelle zur Leistungs-Fernregelung ausgestattet sein, das eine Fernabschaltung der Ladestation durch den Verteilernetzbetreiber (VNB) ermöglicht. Diese Ladestation kann per Kabel an ein vorgeschaltetes VNB-Gerät angeschlossen werden, das mit einem Relais mit Arbeitskontakten (NO-Relais) ausgestattet ist. Wenn das Relais schließt, schaltet die Ladestation in einen Standby-Zustand und der Ladevorgang wird angehalten. Der Ladevorgang wird fortgesetzt, wenn das Relais öffnet. Siehe [Nur für zutreffende Länder: Kabel für Leistungs-Fernregelung anschließen auf Seite 126](#) für Anleitungen zum Anschluss der Kabel.

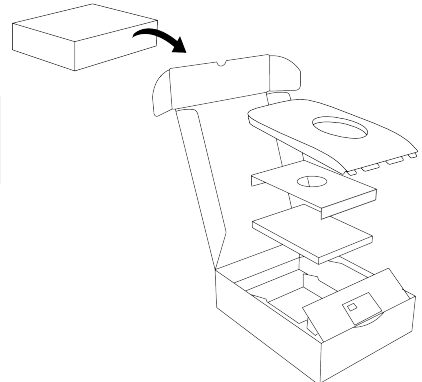
Eine Registrierung beim VNB ist erforderlich.

**4.2. Auspacken**

1. Öffnen Sie den Versandkarton. Entnehmen Sie dann den Karton mit der Abdeckung und den Karton mit der Ladestation.



2. Öffnen Sie den Karton mit der Abdeckung. Suchen Sie die Frontabdeckung, das Willkommenspaket (optional), die Unterlagen für die Ladestation und die SIM-Karte (optional).

**i Anmerkung**

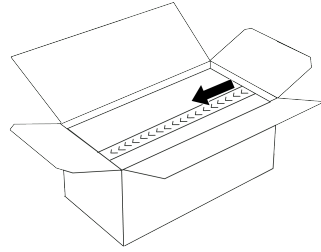
Um Beschädigungen zu verhindern, belassen Sie die Frontabdeckung bis zur Montage in der Verpackung.



#### 4. Montage- und Installationsanleitungen

3. Öffnen Sie den Karton mit der Station.

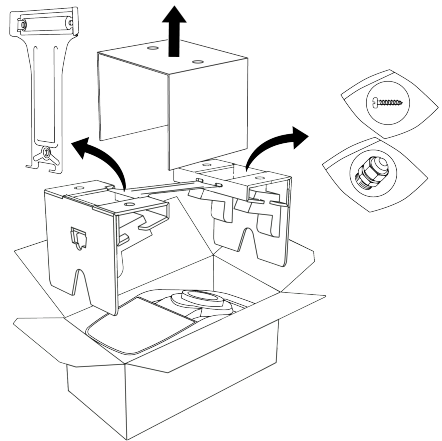
DE



4. Entfernen Sie die drei Kartoneinlagen, die Wandhalterung und die Montagesätze.

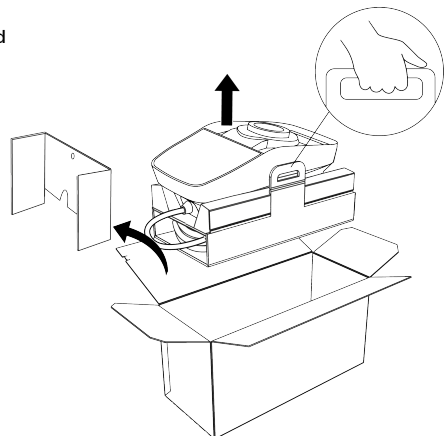
**i Anmerkung**

Um Beschädigungen zu verhindern, belassen Sie die Ladestation und das Kabel bis zur Montage in der Verpackung.

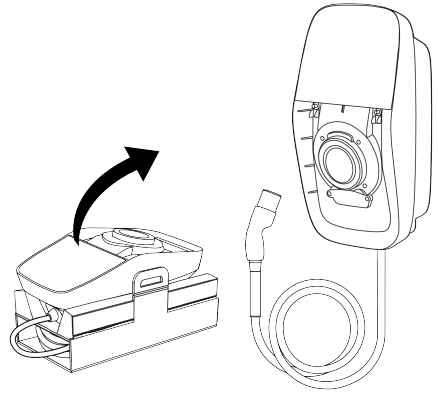


5. Wenn die Station an der Wandhalterung montiert werden kann, nehmen Sie die Ladestation wie folgt aus der Verpackung:

- a. Entfernen Sie den Kartoneinsatz und heben Sie dann die Kartonverpackung mit der Ladestation und dem Kabel aus dem Stationskarton.



- b. Nehmen Sie die Ladestation und das Ladekabel aus der Verpackung heraus.

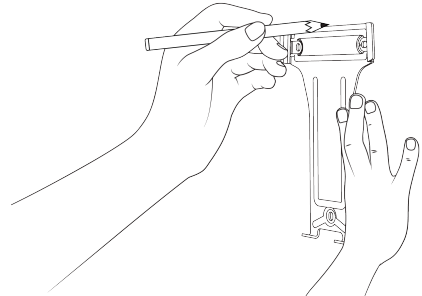


### 4.3. Wandhalterung und Ladestation montieren

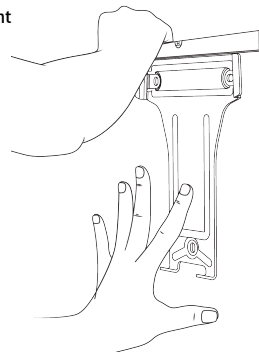
#### **⚠ ACHTUNG**

Befolgen Sie bei der Auswahl des Standorts und der Installationshöhe für die Ladestation sowie bei der Auswahl der Einführung für das Stromversorgungskabel die Empfehlungen in [Planung der Montage und Installation auf Seite 105](#).

1. Montieren Sie die Wandhalterung wie folgt:
  - a. Markieren Sie die Höhe der Oberkante der Wandhalterung.

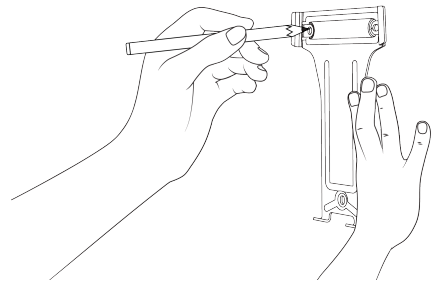


- b. Halten Sie die Wandhalterung an die Wand und richten Sie sie mit einer Wasserwaage waagrecht aus.



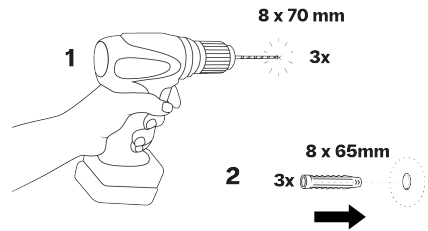
#### 4. Montage- und Installationsanleitungen

- c. Markieren Sie die drei Schraubenlöcher an der Wand. Nehmen Sie anschließend die Wandhalterung wieder ab.

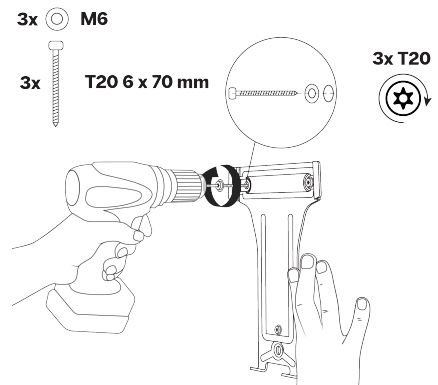


DE

- d. Bohren Sie an jeder Schraubstelle ein 8 mm Loch bis zu einer Tiefe von 70 mm. Setzen Sie in jedes Loch einen 8 x 65 mm Wanddübel ein.

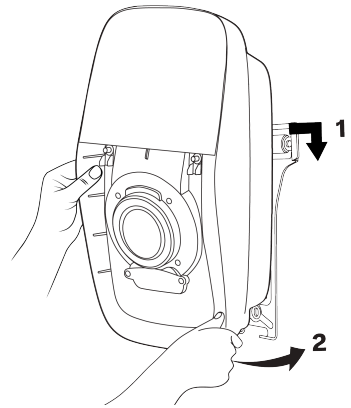


- e. Befestigen Sie die Wandhalterung mit drei Schrauben T20 6 x 70 mm und Unterlegscheiben M6.



2. Montieren Sie die Ladestation wie folgt:

- a. Rasten Sie die Ladestation an der Oberkante der Wandhalterung ein. Schwenken Sie dann die Ladestation nach unten und richten Sie sie auf die beiden unteren Schraubenlöcher aus.

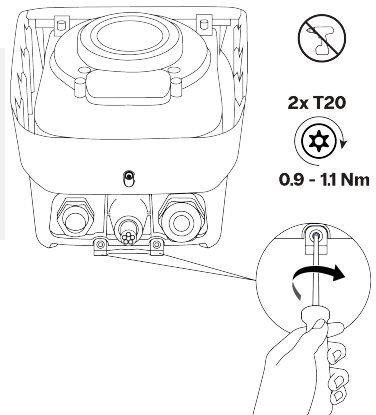


- b. Schrauben Sie die Ladestation mit zwei Torx-Schrauben T20 Security an der Wandhalterung fest.

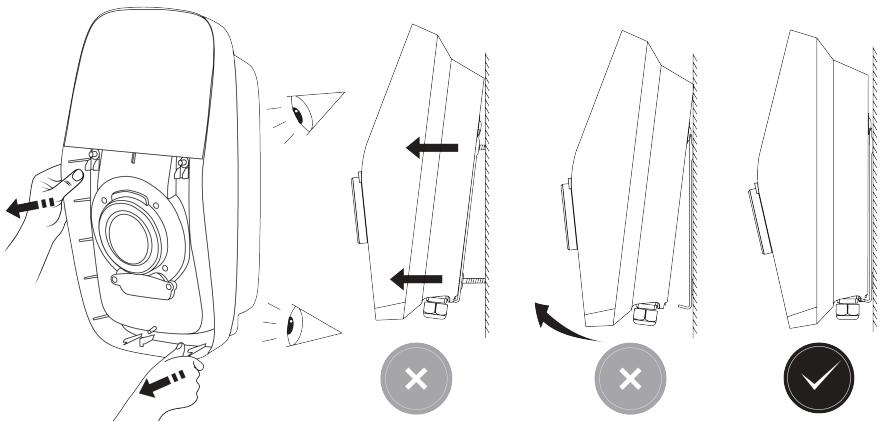
**⚠ ACHTUNG**

Die Verwendung eines Akkuschraubers mit hohem Drehmoment kann die Schrauben und Komponenten beschädigen.

- Verwenden Sie nur einen Schraubendreher mit niedrigem Drehmoment und der richtigen Drehmomenteinstellung.



- c. Ziehen Sie leicht an der Ladestation, um zu überprüfen, dass sie sicher an der Wandhalterung und der Wand befestigt ist.



#### 4.4. Stromversorgungskabel anschließen

Die Ladestation hat zwei austauschbare Kabelverschraubungen:

#### 4. Montage- und Installationsanleitungen

- Die installierte Kabelverschraubung ist für ein Stromversorgungskabel mit einem Manteldurchmesser von 13 bis 25 mm.
- Der Kabelverschraubungssatz ist für ein Stromversorgungskabel mit einem Manteldurchmesser von 12 bis 20 mm.

Die Klemmen können folgende Drahtquerschnitte aufnehmen:

- Massivdraht: maximal 16 mm<sup>2</sup>.
- Litze mit Endhülse (keine Kunststoffhülse): maximal 10 mm<sup>2</sup>.

Das Stromversorgungskabel kann der Ladestation von oben oder unten zugeführt werden. Die untere Kabeleinführung A ist für alle Standorte geeignet. Die obere Kabeleinführung B darf nur dort verwendet werden, wo sie nicht mit Regen oder Feuchtigkeit in Berührung kommen kann.

#### **⚠ ACHTUNG**

Befolgen Sie die Empfehlungen in [Planung der Montage und Installation auf Seite 105](#), wenn Sie den Stromversorgungskabel-Einführungspunkt für die Ladestation auswählen.

#### **i Anmerkung**

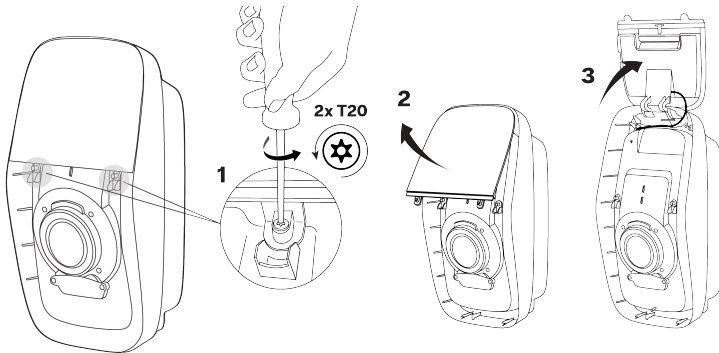
Kommunikationskabel werden ausschließlich von unten in die Ladestation eingeführt.

#### **i Anmerkung**

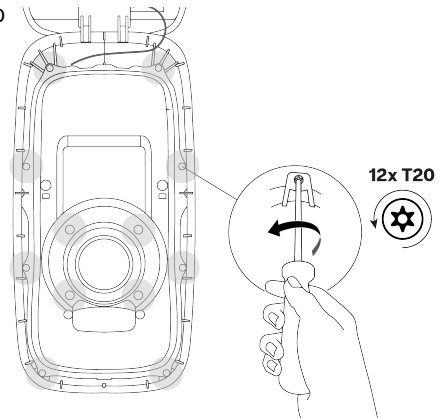
Alle Torx-Schrauben T20 Security sind unverlierbar. Entfernen Sie die unverlierbaren Schrauben nicht vollständig aus der Ladestation.

#### 1. Entfernen Sie die innere Abdeckung wie folgt:

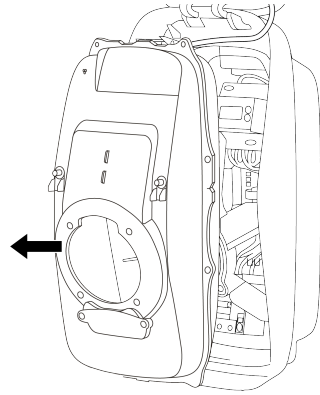
- Lösen Sie die zwei unverlierbaren Torx-Schrauben T20 Security, mit denen die Display-Abdeckung befestigt ist. Öffnen Sie die Display-Abdeckung vollständig, sodass sie in der geöffneten Position einrastet.



- Lösen Sie die 12 unverlierbaren Torx-Schrauben T20 Security, mit denen die innere Abdeckung befestigt ist.



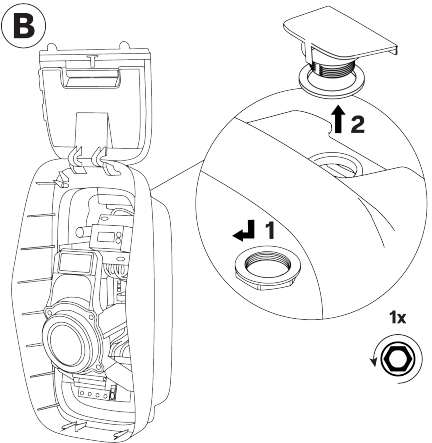
- c. Entfernen Sie die innere Abdeckung.



2. Für Kabeleinführung oben: Bereiten Sie die obere Einführung wie folgt für das Stromversorgungskabel vor:

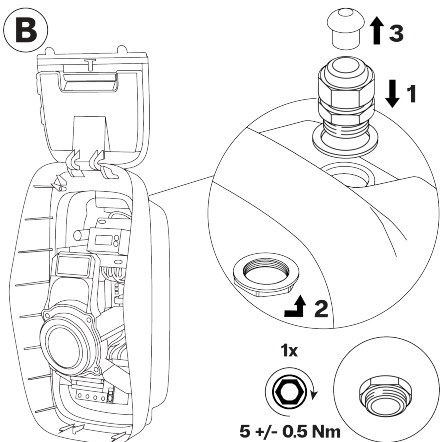
- a. Entfernen Sie die Mutter, mit der die Abdeckung an der oberen Einführung befestigt ist. Entfernen Sie die Abdeckung.

Bewahren Sie die Mutter zur Verwendung an der Kabelverschraubung auf. Legen Sie die Abdeckung in die Verpackung.



- b. Bauen Sie die Kabelverschraubung mit Dichtung in die obere Einführung ein. Montieren Sie die Mutter und ziehen Sie diese an.

Entfernen Sie den Blindstopfen von der Kabelverschraubung und bewahren Sie ihn für eine spätere Verwendung auf.

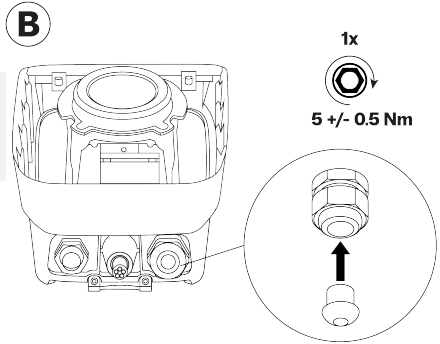


## 4. Montage- und Installationsanleitungen

- c. Installieren Sie den Blindstopfen in der unbenutzten Kabelverschraubung an der Unterkante der Ladestation.

### ⚠ ACHTUNG

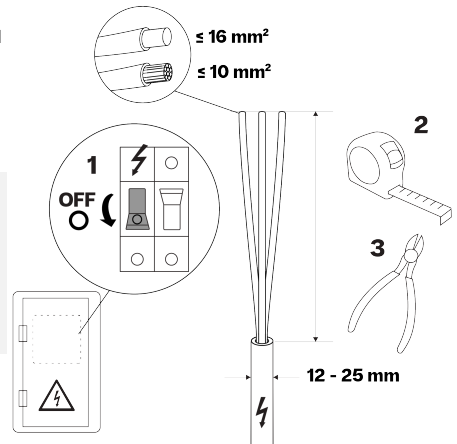
Stellen Sie sicher, dass der Blindstopfen in der Kabelverschraubung installiert ist, um die IP-Schutzart der Ladestation zu gewährleisten.



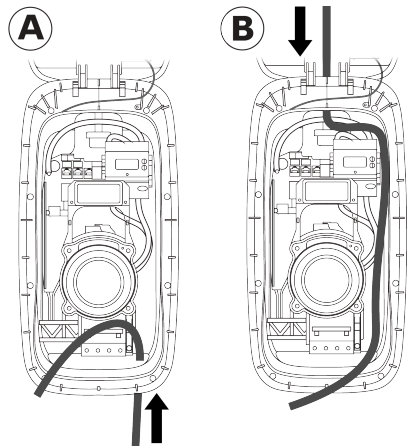
3. Schneiden Sie das Stromversorgungskabel ab und entfernen Sie den Außenmantel, sodass das Kabel und seine Adern ausreichend lang sind, um sie an die FI/LS-Schalter- und die PE-Klemmleiste in der Ladestation anschließen zu können. Bringen Sie bei Bedarf an den einzelnen Adern zusätzliche Isolierung an.

### ⚠ ACHTUNG

Um Stromkreise mit Sicherheitskleinspannung (SELV) zu schützen, dürfen die abisolierten, einfach isolierten Drähte die Komponenten auf der Hauptplatine nicht berühren. Installieren Sie bei Bedarf eine doppelte Isolierung an den einzelnen Adern, beispielsweise Schrumpfschläuche oder Isolierhülsen.



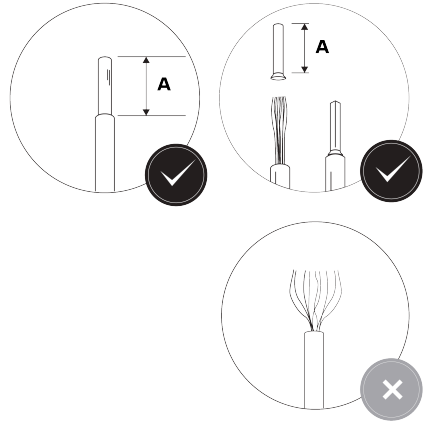
4. Führen Sie das Stromversorgungskabel an der unteren Kabeleinführung A oder der oberen Kabeleinführung B in die Ladestation ein. Führen Sie das Stromversorgungskabel zu den Anschlusspunkten. Lassen Sie genügend Länge zum Abisolieren und Anschließen der Leitungen.



5. Isolieren Sie die Aderenden des Stromversorgungskabels ab:

- Für einen FI/LS-Schalter ist A = 12 mm
- Für eine Klemmleiste ist A = 18 mm

Versehen Sie bei Verwendung von Litzendrähten die Adern mit Aderendhülsen und quetschen Sie diese für einen optimalen Sitz in FI/LS-Schalter und PE-Klemmleiste mit einer Crimpzange quadratisch auf.



6. Bei einer Station mit eingebautem FI/LS-Schalter: Schließen Sie das Stromversorgungskabel wie folgt an:

**⚠️ WARNUNG**

Bei einem unsachgemäßen Anschluss der Adern des Stromversorgungskabels besteht die Gefahr eines Stromschlags, der Schäden an der Ladestation verursacht und zu Verletzungen oder zum Tod führen kann.

- Stellen Sie sicher, dass die Adern des Stromversorgungskabels fest angeschlossen sind.

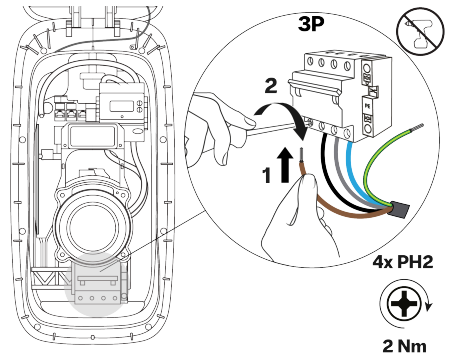
**📌 Anmerkung**

Schließen Sie die Leitungen gemäß den Verdrahtungsplänen für die Stromversorgung in [Anforderungen an die Stromversorgung auf Seite 107](#) an.

**📌 Anmerkung**

FI/LS-Schalters des Typs B werden verkehrt herum in die Ladestationen eingebaut.

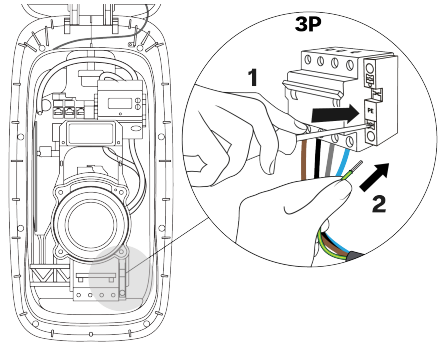
- a. Schließen Sie die Adern des Stromversorgungskabels an den FI/LS-Schalter an. Ziehen Sie die Schrauben zur Sicherung der einzelnen Adern an.



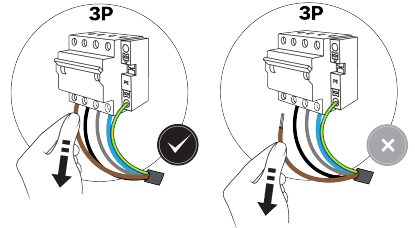


#### 4. Montage- und Installationsanleitungen

- b. Schließen Sie den PE-Leiter des Stromversorgungskabels an der PE-Klemmleiste an.



- c. Ziehen Sie an jeder Leitung, um zu prüfen, ob jede Leitung sicher angeschlossen ist.



7. Für eine Station mit Klemmleisten: Schließen Sie das Stromversorgungskabel wie folgt an:

**⚠️ WARNUNG**

Bei einem unsachgemäßen Anschluss der Adern des Stromversorgungskabels besteht die Gefahr eines Stromschlags, der Schäden an der Ladestation verursacht und zu Verletzungen oder zum Tod führen kann.

- Stellen Sie sicher, dass die Adern des Stromversorgungskabels fest angeschlossen sind.

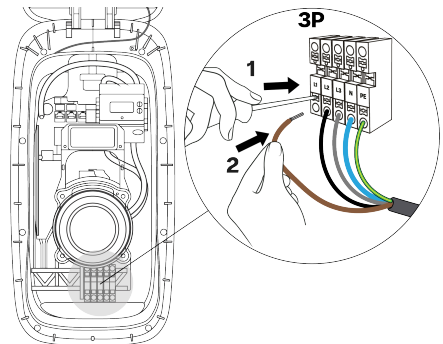
**i Anmerkung**

Schließen Sie die Leitungen gemäß den Verdrahtungsplänen für die Stromversorgung in [Anforderungen an die Stromversorgung auf Seite 107](#) an.

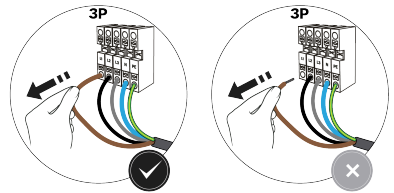
**i Anmerkung**

Die Abbildungen zeigen einen 3-phasigen Anschluss mit Neutralleiter.

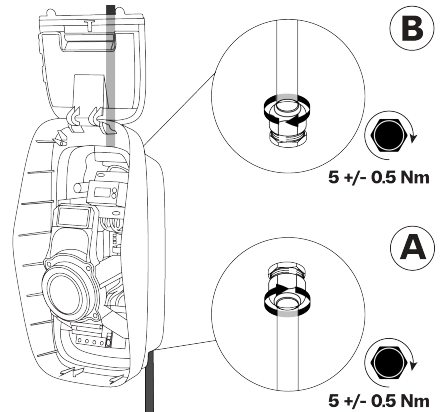
- a. Schließen Sie die Adern des Stromversorgungskabels an die Klemmleisten an.



- b. Ziehen Sie an jeder Leitung, um zu prüfen, ob jede Leitung sicher angeschlossen ist.



8. Ziehen Sie die Kabelverschraubung fest, um das Stromversorgungskabel zu sichern und die IP-Schutzart der Ladestation zu gewährleisten.



## 4.5. Ladestationkommunikation

Kommunikationskabel werden ausschließlich über die linke Kabelverschraubung auf der Unterseite der Ladestation eingeführt. Durch diese Verschraubung können maximal vier Kommunikationskabel in die Ladestation eingeführt werden.

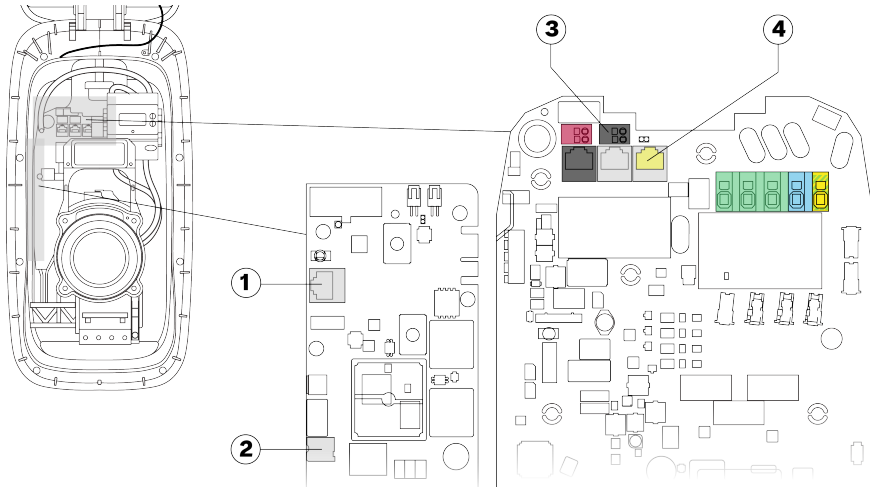
Es stehen drei Optionen zur Verfügung, um die Ladestation mit dem Internet zu verbinden:

- Ethernet (empfohlene Option)
- WLAN (siehe [Konfiguration auf Seite 132](#))
- Mobilfunk (SIM-Karte)

### Kommunikationsanschlüsse und -komponenten

#### **i** Anmerkung

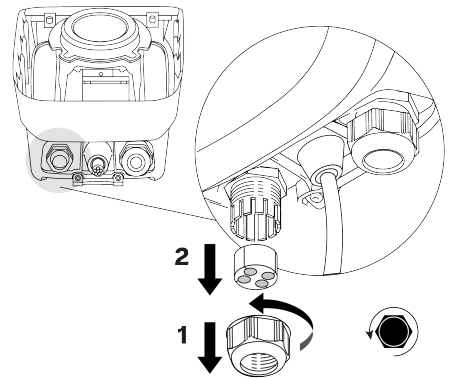
Die verwendeten Kommunikationsanschlüsse und -komponenten hängen vom Modell der Ladestation und der erforderlichen Funktionalität ab.



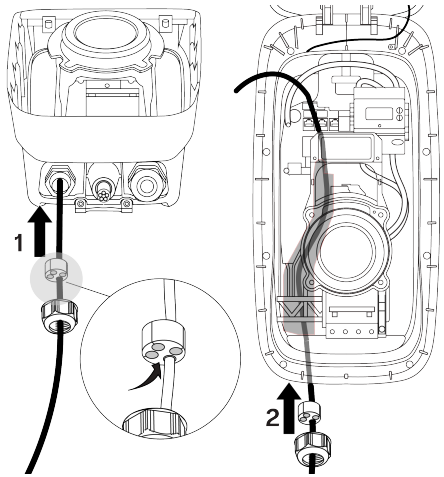
1. Ethernet-Buchse für kabelgebundene Internetverbindung
2. Nano-SIM-Kartensteckplatz für mobile Internetverbindung
3. Klemmen für die aktive Leistungsregelung (nur für Deutschland)
4. CT IN-Buchse für dynamisches Lastmanagement

### 4.5.1. Kommunikationskabel verlegen

1. Entfernen Sie die Mutter und die Dichtung von der linken Kabelverschraubung.



2. Führen Sie die erforderlichen Kommunikationskabel durch Mutter und Dichtung der Kabelverschraubung und dann durch die linke Kabelverschraubung unten an der Ladestation. Führen Sie in der Ladestation die Kabel durch den Kabelkanal nach oben.



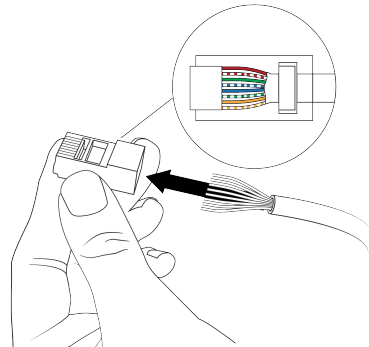
#### 4.5.2. Optional: Ethernet-Kabel für Internet anschließen

##### **i** Anmerkung

Verwenden Sie ein beliebiges Netzwerkkabel der Kategorie Cat5 und höher (Cat5, Cat5e, Cat6) mit verdrehten Adernpaaren.

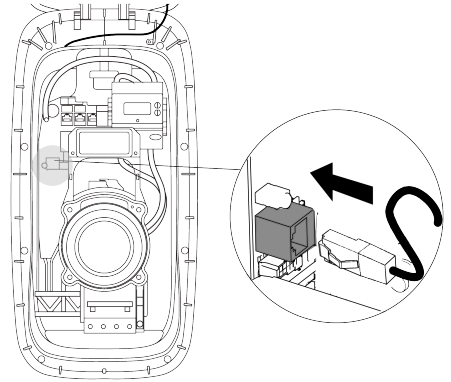
- Die Verwendung abgeschirmter Netzwerkkabel wird empfohlen, ist aber nicht zwingend erforderlich.
- Wenn ein abgeschirmtes Kabel verwendet wird, darf die Abschirmung nicht geerdet werden.
- Verwenden Sie für Installationen im Außenbereich ein UV-beständiges Netzwerkkabel.
- Netzwerkkabel werden entweder mit einem vorinstallierten RJ45-Stecker geliefert oder der RJ45-Stecker muss vor Ort installiert werden, bevor oder nachdem das Netzwerkkabel in die Ladestation eingeführt wurde.

1. Installieren Sie einen RJ45-Stecker am Netzwerkkabel, wenn kein RJ45-Stecker vorinstalliert ist.



#### 4. Montage- und Installationsanleitungen

2. Stecken Sie den RJ45-Stecker des Netzkabels in die Ethernet-Buchse an der Kommunikationsplatine.



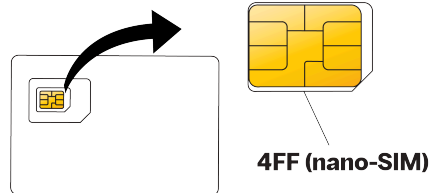
DE

#### 4.5.3. Optional: SIM-Karte für Internet installieren

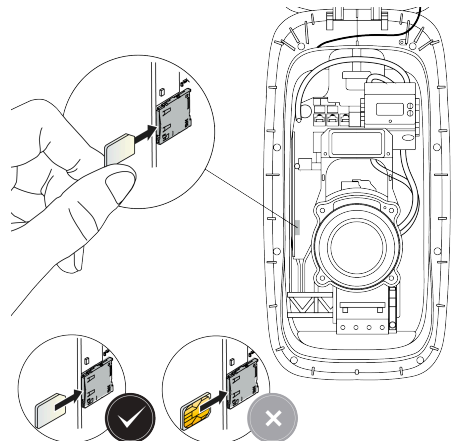
##### Anmerkung

Es werden nur bestimmte SIM-Karten unterstützt.

1. Entnehmen Sie die SIM-Karte der Größe 4FF (Nano-SIM) aus ihrer Trägerkarte.



2. Schieben Sie die SIM-Karte der Größe 4FF (Nano-SIM) in den Steckplatz auf der Kommunikationsplatine, bis sie einrastet. Die Kontakte der SIM-Karte müssen zur Kommunikationsplatine weisen.



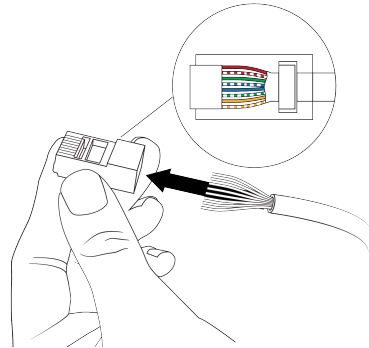
## 4.5.4. Optional: Kabel für das dynamische Lastmanagement anschließen

**i** Anmerkung

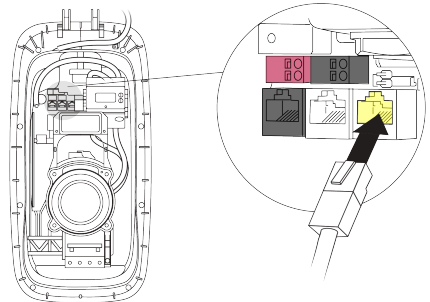
Verwenden Sie ein beliebiges Netzwerkkabel der Kategorie Cat5 und höher (Cat5, Cat5e, Cat6) mit verdrehten Adernpaaren.

- Die Verwendung abgeschirmter Netzwerkkabel wird empfohlen, ist aber nicht zwingend erforderlich.
- Wenn ein abgeschirmtes Kabel verwendet wird, darf die Abschirmung nicht geerdet werden.
- Verwenden Sie für Installationen im Außenbereich ein UV-beständiges Netzwerkkabel.
- Netzwerkkabel werden entweder mit einem vorinstallierten RJ45-Stecker geliefert oder der RJ45-Stecker muss vor Ort installiert werden, bevor oder nachdem das Netzwerkkabel in die Ladestation eingeführt wurde.

1. Installieren Sie einen RJ45-Stecker am Netzwerkkabel, wenn kein RJ45-Stecker vorinstalliert ist.



2. Stecken Sie den RJ45-Stecker des Netzwerkkabels in die Buchse CT IN.



## 4.5.5. Nur für zutreffende Länder: Kabel für Leistungs-Fernregelung anschließen

Die Klemmleisten können folgende Drahtquerschnitte aufnehmen:

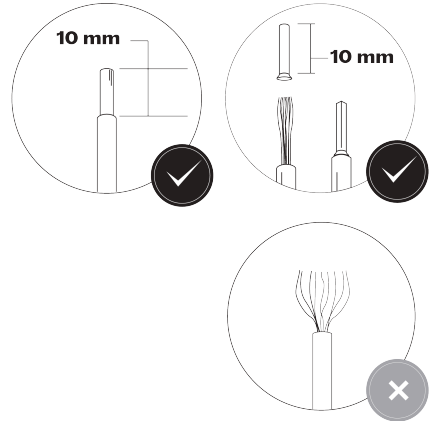
- Massivdraht: maximal 1,5 mm<sup>2</sup>.
- Litze mit Endhülse (keine Kunststoffhülse): maximal 1,5 mm<sup>2</sup>.

Verwenden Sie doppelt isoliertes Kabel, das für Temperaturen bis 90 °C ausgelegt ist.

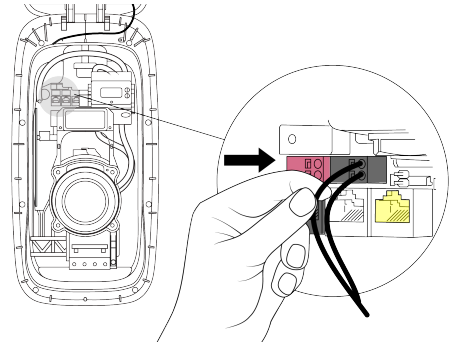
#### 4. Montage- und Installationsanleitungen

1. Isolieren Sie die Aderenden des Kabels für die aktive Leistungsregelung ab.

Versehen Sie bei Verwendung von Litzendrähten die Adern mit Endhülsen (keine Kunststoffhülsen) und quetschen Sie diese für einen optimalen Sitz in den Klemmleisten mit einer Crimpzange quadratisch auf.



2. Schließen Sie die Leitungen für die aktive Leistungsregelung an der schwarzen Klemmleiste (Digitaleingang 1) an.



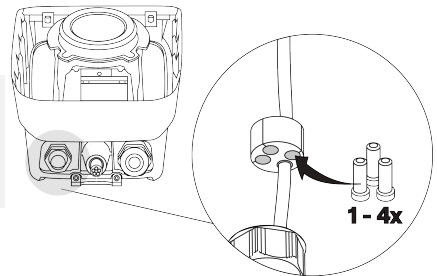
3. Schließen Sie das andere Ende des Kabels für die aktive Leistungsregelung an ein VNB-Steuerggerät mit Arbeitskontakten (Schließer – NO) an.

#### 4.5.6. Kabelverschraubung festziehen

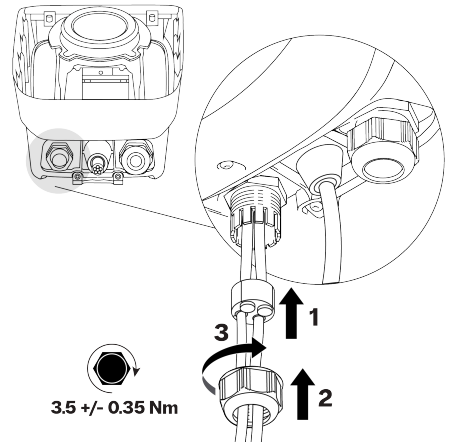
1. Setzen Sie Blindstopfen in nicht verwendete Einführöffnungen der Dichtung der Kabelverschraubung ein.

##### **⚠ ACHTUNG**

Stellen Sie sicher, dass die ungenutzten Einführungen der Kabelverschraubung mit Blindstopfen versehen sind, um die IP-Schutzart der Ladestation zu gewährleisten.



2. Schieben Sie die Dichtung nach oben in die Kabelverschraubung und ziehen Sie die Kabelverschraubung anschließend fest, um die Netzkabel und Blindstopfen zu sichern.

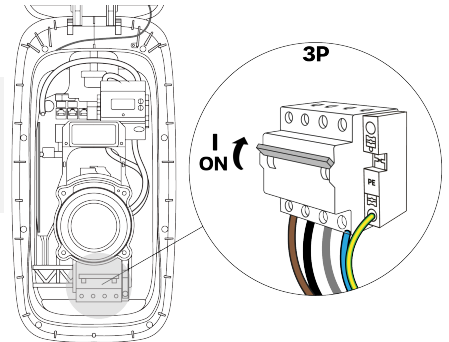


#### 4.6. Abdeckungen der Ladestation montieren

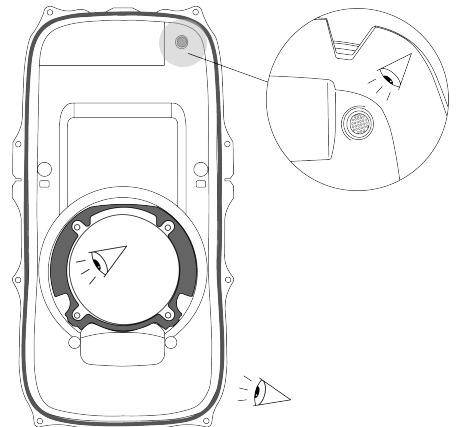
1. Bei einer Station mit eingebautem FI/LS-Schalter: Vergewissern Sie sich, dass in der Ladestation der FI/LS-Schalter eingeschaltet ist.

**i Anmerkung**

FI/LS-Schalter des Typs B werden verkehrt herum in die Ladestationen eingebaut. Wenn die Ladestation über einen FI/LS-Schalter vom Typ B verfügt, sind die Ein- und Ausschaltrichtungen umgekehrt.



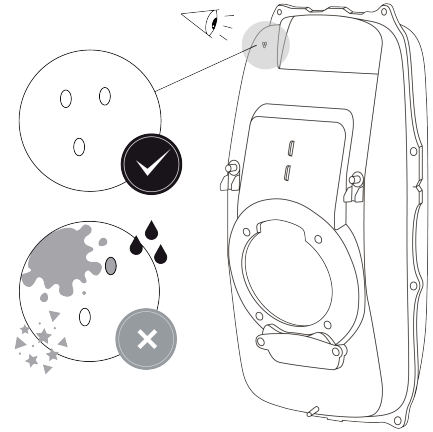
2. Überprüfen Sie vor der Installation die innere Abdeckung wie folgt:
- a. Überprüfen Sie auf der Innenseite, dass die Dichtung der inneren Abdeckung und die Dichtung in der Mitte sauber und nicht beschädigt sind. Prüfen Sie, ob die Entlüftungsmembran fest sitzt und unbeschädigt ist.





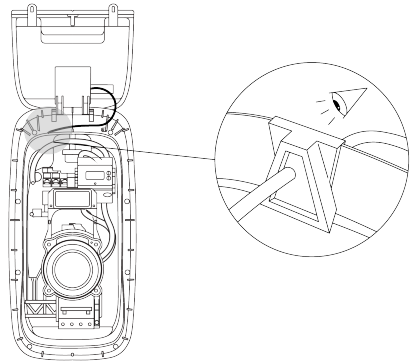
#### 4. Montage- und Installationsanleitungen

- b. Überprüfen Sie auf der Außenseite, dass die drei Entlüftungsöffnungen nicht durch Wasser, Staub oder Fremdkörper verstopft sind.

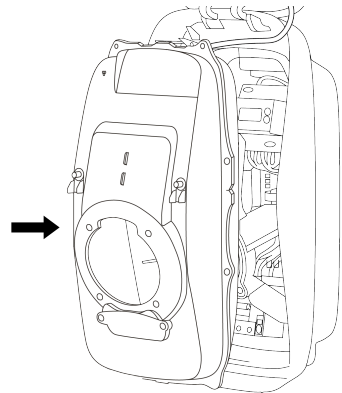


DE

- 3. Überprüfen Sie an der Ladestation, ob die Durchführungsdichtung für das Displaykabel korrekt installiert ist.



- 4. Montieren Sie die innere Abdeckung wie folgt:
  - a. Rasten Sie die Unterkante der Abdeckung unterhalb des mittleren Lochs ein und drücken Sie dann die Oberkante der Abdeckung in Position.



#### 4. Montage- und Installationsanleitungen

- b. Ziehen Sie die 12 unverlierbaren Torx-Schrauben T20 Security in der dargestellten Reihenfolge fest, um die innere Abdeckung zu befestigen.

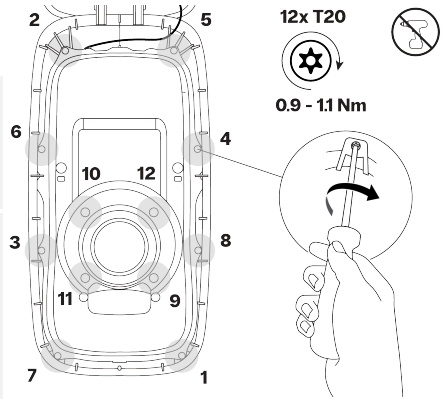
**⚠ ACHTUNG**

Gefahr von Wassereintrich. Wenn die Schrauben nicht in der korrekten Reihenfolge festgezogen werden, können Regen und Feuchtigkeit in die Ladestation eindringen.

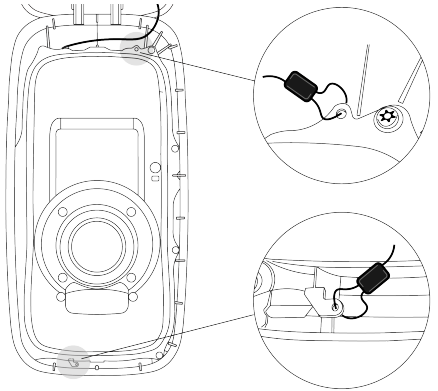
**⚠ ACHTUNG**

Die Verwendung eines Akkuschaubers mit hohem Drehmoment kann die Schrauben und Komponenten beschädigen.

- Verwenden Sie nur einen Schraubendreher mit niedrigem Drehmoment und der richtigen Drehmomenteinstellung.



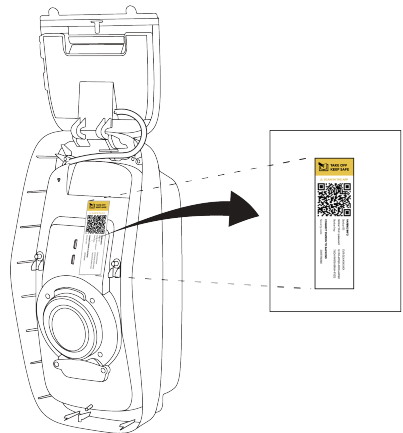
- c. Optional: Bringen Sie zwei Sicherheitssiegel an der oberen rechten und unteren linken Ecke der Innenabdeckung an.



5. Entfernen Sie den Aufkleber mit den ladestationsspezifischen Angaben von der inneren Abdeckung. Bewahren Sie den Aufkleber mit den Unterlagen der Ladestation auf. Die Angaben auf dem Aufkleber werden zur Konfigurierung benötigt.

**⚠ ACHTUNG**

Um einen unbefugten Zugriff auf die Einstellungen der Ladestation zu vermeiden, darf der Aufkleber nicht an der Ladestation verbleiben.



6. Montieren Sie die Display-Abdeckung und Frontabdeckung wie folgt:

## 4. Montage- und Installationsanleitungen

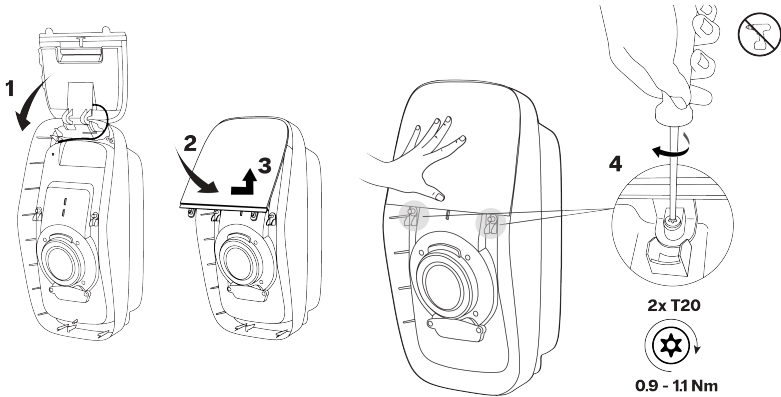
DE

- a. Schließen Sie die Display-Abdeckung und halten Sie sie geschlossen. Befestigen Sie die Display-Abdeckung mit zwei unverlierbaren Torx-Schrauben T20 Security.

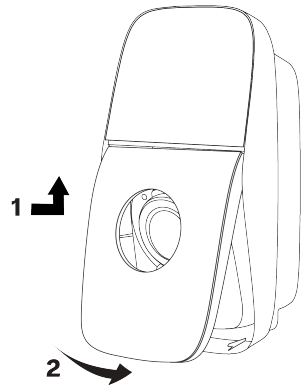
**⚠ ACHTUNG**

Die Verwendung eines Akkuschraubers mit hohem Drehmoment kann die Schrauben und Komponenten beschädigen.

- Verwenden Sie nur einen Schraubendreher mit niedrigem Drehmoment und der richtigen Drehmomenteinstellung.



- b. Rasten Sie die Oberkante der Frontabdeckung unter der Unterkante der Display-Abdeckung ein und schwenken Sie die Abdeckung dann nach unten, um das untere Schraubenloch auszurichten.

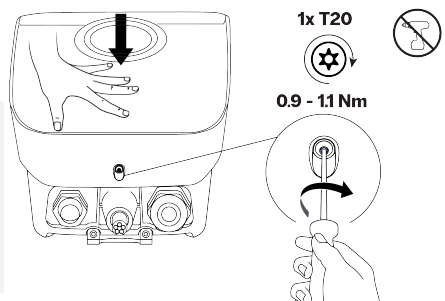


- c. Drücken Sie die Frontabdeckung gegen die Feder. Ziehen Sie die unverlierbare Torx T20-Sicherheitsschraube an, um die Frontabdeckung der Ladestation zu sichern.

**⚠ ACHTUNG**

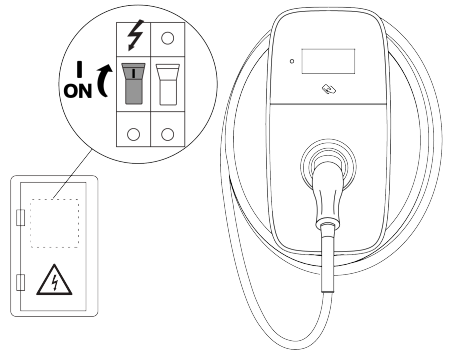
Die Verwendung eines Akkuschraubers mit hohem Drehmoment kann die Schrauben und Komponenten beschädigen.

- Verwenden Sie nur einen Schraubendreher mit niedrigem Drehmoment und der richtigen Drehmomenteinstellung.



7. Wickeln Sie zur Aufbewahrung das Ladekabel locker um die Ladestation, und stecken Sie den Ladestecker in die Steckerhalterung.

Schalten Sie die Stromversorgung der Ladestation ein. Der LED-Ring leuchtet drehend weiß, um anzuzeigen, dass die Ladestation hochgefahren wird.



Die Ladestation ist damit vollständig installiert. Der LED-Ring leuchtet weiß und blinkt zweimal auf und ab, um anzuzeigen, dass die Konfiguration gestartet werden kann.

## 4.7. Konfiguration

Damit die Ladestation funktioniert, muss sie mit dem Internet verbunden sein. Wenn sie verbunden ist, sollte die Ladestation auf einer Lademanagement-Plattform (CMP) aktiviert werden, um alle Funktionen der Ladestation und den Online-Support vollständig nutzen zu können.

Die Konfigurierung muss abgeschlossen sein, um die Ladestation nutzen zu können.

### 4.7.1. Ladestation konfigurieren

#### **⚠️ WARNUNG**

Stromschlaggefahr, die zu schweren Verletzungen oder zum Tod führen kann. Nur eine Elektrofachkraft darf die App EVBox Install für die Konfiguration der Ladestation verwenden.

1. Laden Sie EVBox Install App auf Ihr Smartphone oder Tablet herunter und installieren Sie diese.



2. Öffnen Sie EVBox Install App und folgen Sie den Anweisungen in der App.

Die für die Konfiguration der Ladestation erforderlichen Informationen befinden sich auf dem Aufkleber, der bei der Installation entfernt wurde.



## 5. Bedienungshinweise

3. Stellen Sie mithilfe von EVBox Install App die folgenden wichtigen Parameter ein, um den sicheren Betrieb der Ladestation zu gewährleisten:
  - Maximaler Ladestrom.
  - Internetverbindung.
  - Andere Konfigurationseinstellungen.

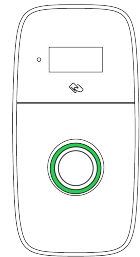
DE

### 4.7.2. Optional: Ladestation an der CMP aktivieren

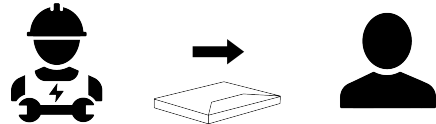
Online-Ladestationen müssen vom Benutzer über die CMP-Website oder die spezifische CMP-App auf der Lademanagement-Plattform (CMP) aktiviert werden. Wenden Sie sich an den Ladepunktbetreiber (CPO), um Details zur Aktivierung der Ladestation zu erhalten.

### 4.7.3. Betriebsbereit

Die Ladestation ist zum Aufladen eines Elektrofahrzeugs bereit, wenn die Abdeckungen an der Ladestation montiert sind, die Inbetriebnahme abgeschlossen ist und der LED-Ring dauerhaft grün leuchtet



Übergeben Sie alle Unterlagen an den Eigentümer. Der Eigentümer muss alle mit der Ladestation gelieferten Unterlagen während des gesamten Lebenszyklus des Produkts an einem sicheren Ort aufbewahren.



## 5. Bedienungshinweise

### GEFAHR

Bei Nichtbeachtung der in diesem Handbuch enthaltenen Anwehnderhinweise besteht die Gefahr eines Stromschlags, der zu schweren Verletzungen oder zum Tod führt.

- Lesen Sie vor Benutzung der Ladestation die in diesem Handbuch enthaltenen Sicherheitsvorkehrungen und Anwehnderhinweise.
- Bei etwaigen Unsicherheiten hinsichtlich der Verwendung der Ladestation wenden Sie sich bitte an Ihren Vertriebspartner.

### 5.1. Einen Ladevorgang starten und beenden

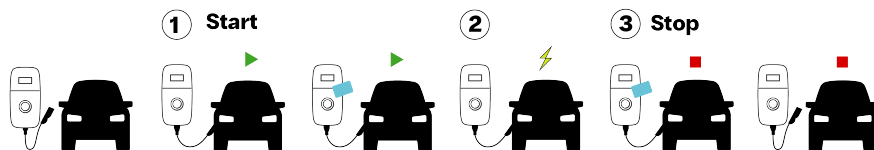
#### Anmerkung

Anweisungen zum Ladevorgang werden ebenfalls am Display angezeigt.

1. Laden starten:
  - Nehmen Sie den Stecker aus der Aufnahme an der Ladestation heraus und wickeln Sie dann das Ladekabel vollständig von der Ladestation ab.
  - Verbinden Sie das Ladekabel mit Ihrem Fahrzeug.
  - Wenn Sie eine Ladekarte oder einen Schlüsselanhänger verwenden, halten Sie die Karte/den Anhänger vor das Lesegerät an der Ladestation, um den Ladevorgang zu starten.\*
2. Ihr Fahrzeug wird aufgeladen.

## 3. Laden beenden:

- Wenn Sie eine Ladekarte oder einen Schlüsselanhänger\*\* verwenden, halten Sie diese vor das Lesegerät der Ladestation, um den Ladevorgang zu stoppen.\*
- Trennen Sie das Ladekabel von Ihrem Fahrzeug.
- Wickeln Sie das Ladekabel um die Ladestation und stecken Sie dann den Stecker in die Aufnahme.



\* Wenn die Ladestation so konfiguriert ist, dass sie nur Ladekarten oder Schlüsselanhänger akzeptiert.

\*\* Sie müssen dieselbe Ladekarte oder denselben Schlüsselanhänger verwenden, die/den Sie zum Starten des Ladevorgangs verwendet haben.

## 5.2. Statusanzeige




**i** Anmerkung

Der Status der Ladestation wird ebenfalls auf dem Display angezeigt.

**i** Anmerkung

Einige Funktionen und Statusanzeigen sind nicht an allen Modellen verfügbar.

LED-Ring	Farbe	Statusbeschreibung
	Weiß (drehend)	Die Ladestation wird hochgefahren oder die Software wird aktualisiert.
	Weiß (blinkend)	Die Ladestation wartet auf die Konfigurierung mittels EVBox Install App.
	Grün (konstant)	Bereitschaftsmodus. Die Ladestation ist bereit zum Laden.
	Rot (konstant)	Authentifizierung nicht akzeptiert. Die Anzeige wechselt nach 5 Sekunden zu Grün.
	Blau (konstant)	<ul style="list-style-type: none"> <li>• Die Ladestation wartet auf ein Fahrzeug.</li> <li>• Ladevorgang angehalten.</li> </ul>
	Blau (von unten nach oben pulsierend)	Das Fahrzeug wird aufgeladen.

LED-Ring	Farbe	Statusbeschreibung
	Grün (blinkend)	Der Ladevorgang ist abgeschlossen. Das Fahrzeug kann von der Ladestation getrennt werden.
	Orange (konstant)	Der Ladevorgang ist langsam oder wegen hoher Temperatur unterbrochen. Der Ladevorgang wird automatisch fortgesetzt.
	Orange (blinkend)	Ladevorgang ist fehlgeschlagen. Trennen Sie das Fahrzeug von der Station und versuchen Sie es erneut.

### 5.3. Wartung durch den Benutzer

Der Benutzer der Ladestation ist für den Zustand der Ladestation verantwortlich, wobei sowohl die Gesetzgebung hinsichtlich der Sicherheit von Personen, Tieren und Eigentum beachtet werden muss als auch die im Land der Nutzung geltenden Installationsvorschriften. Lassen Sie die Ladestation und ihre Installation regelmäßig von einer qualifizierten Elektrofachkraft und in Übereinstimmung mit den Installationsvorschriften Ihres Landes überprüfen.

#### GEFAHR

Wird die Ladestation größeren Wassermengen ausgesetzt, besteht die Gefahr eines Stromschlags, der schwere oder tödliche Verletzungen verursacht.

- Setzen Sie die Ladestation keinem starken Wasserstrahl aus.
- Tauchen Sie niemals den Ladestecker in Flüssigkeiten ein.

#### ACHTUNG

Reinigen Sie die Ladestation nicht mit aggressiven Reinigungskemikalien oder Lösungsmitteln.

1. Entfernen Sie Schmutz und natürliche organische Stoffe mit einem feuchten weichen Tuch von der Außenseite der Ladestation. Stellen Sie sicher, dass das Display, der LED-Ring und der Lichtsensor sauber sind.
2. Führen Sie eine Sichtprüfung der Ladestation, des Ladekabels und des Ladesteckers durch. Wenn Sie vermuten, dass Ladestation, Ladekabel oder Ladestecker beschädigt oder verschmutzt sind, wenden Sie sich an eine qualifizierte Elektrofachkraft, um beschädigte Komponenten reparieren oder austauschen zu lassen.
3. Ziehen Sie leicht an der Ladestation, um zu überprüfen, dass sie immer noch sicher installiert ist. Überprüfen Sie, dass die äußere Abdeckung der Station fest angebracht ist. Wenn die Ladestation oder die Abdeckung lose ist, wenden Sie sich an eine qualifizierte Elektrofachkraft, um die Station wieder ordnungsgemäß installieren zu lassen.

### 5.4. Anmelden an der Ladestation

Mit einem WLAN-fähigen Smartphone, Tablet oder Laptop kann sich der Benutzer an der Ladestation anmelden, um Einstellungen wie WLAN zu ändern und die Softwarelizenzen einzusehen. Anweisungen hierzu finden Sie unter [help.evbox.com](http://help.evbox.com).


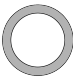
## 6. Fehlerbehebung

### GEFAHR

Wartung und Reparatur dieser Ladestation durch eine nicht qualifizierte Person birgt die Gefahr eines Stromschlags, der zu schweren Verletzungen oder zum Tod führt.

- Die Wartung und Reparatur der Ladestation ist ausschließlich einer qualifizierten Elektrofachkraft vorbehalten.
- Der Benutzer darf die Ladestation weder warten noch selbst reparieren, da die Ladestation keine vom Benutzer zu wartenden Komponenten enthält.

### 6.1. Fehleranzeige

LED-Ring	Farbe	Statusbeschreibung	Abhilfe
	Rot (konstant)	Es ist ein Fehler aufgetreten.	Folgen Sie den Anweisungen auf dem Display.
	Aus	Die Stromversorgung ist ausgefallen.	Überprüfen Sie die Stromversorgung der Station. Schalten Sie den LS-Schalter oder FI-Schalter im Verteilerschrank wieder ein. Prüfen Sie bei einer Station mit eingebautem FI/LS-Schalter, ob der FI/LS-Schalter ausgeschaltet ist (siehe <a href="#">Zugang zum FI/LS-Schalter auf Seite 136</a> ).

### Anmerkung

Einige Fehlerzustände werden durch Aus- und Wiedereinschalten der Stromversorgung behoben.

- Bei Stationen ohne eingebauten FI/LS-Schalter schalten Sie den Strom am Stromversorgungsschrank aus und wieder ein.
- Bei Stationen mit eingebautem FI/LS-Schalter schalten Sie den Strom mit dem FI/LS-Schalter aus und wieder ein

(siehe [Zugang zum FI/LS-Schalter auf Seite 136](#)).

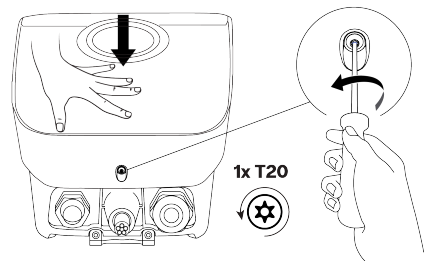
### 6.2. Zugang zum FI/LS-Schalter

Dieses Verfahren gilt nur für Ladestationen, die über einen eingebauten FI/LS-Schalter verfügen. Der FI/LS-Schalter ist über einen Servicedeckel zugänglich, der sich auf der inneren Abdeckung befindet. Stellen Sie vor Beginn sicher, dass die Ladestation mit Strom versorgt wird.

### Anmerkung

Alle Torx-Schrauben T20 Security sind unverlierbar. Entfernen Sie die unverlierbaren Schrauben nicht vollständig aus der Ladestation.

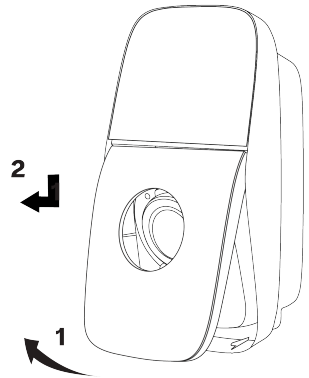
1. Falls ein EV an die Ladestation angeschlossen ist, trennen Sie das EV.
2. Drücken Sie die Frontabdeckung gegen die Feder und lösen Sie dann eine unverlierbare Torx-Schraube T20 Security, mit der die Frontabdeckung an der Ladestation befestigt ist.



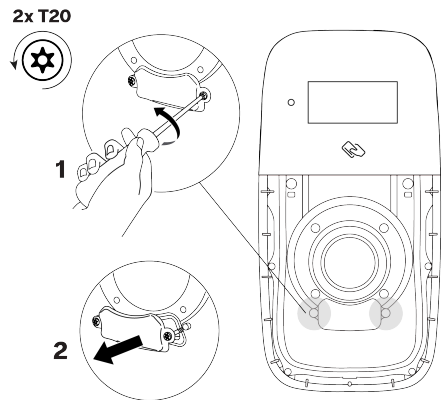


## 6. Fehlerbehebung

- Schwenken Sie die Frontabdeckung nach oben und entriegeln Sie dann die Oberkante der Frontabdeckung unter der Unterkante der Display-Abdeckung.



- Lösen Sie zwei unverlierbare Torx-Schrauben T20 Security. Entfernen Sie die FI/LS-Schalter-Abdeckung von der inneren Abdeckung.

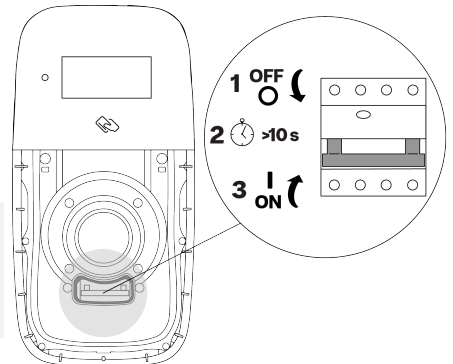


- Um die Ladestation aus- und wieder einzuschalten, schalten Sie den FI/LS-Schalter aus, warten Sie 10 Sekunden und schalten Sie dann den FI/LS-Schalter ein.

Der LED-Ring leuchtet drehend weiß, um anzuzeigen, dass die Ladestation hochgefahren wird. Die Ladestation ist zum Laden eines Elektrofahrzeugs bereit, wenn der LED-Ring dauerhaft grün leuchtet.

### Anmerkung

FI/LS-Schalter des Typs B werden verkehrt herum in die Ladestationen eingebaut. Wenn die Ladestation über einen FI/LS-Schalter vom Typ B verfügt, sind die Ein- und Ausschaltrichtungen umgekehrt.

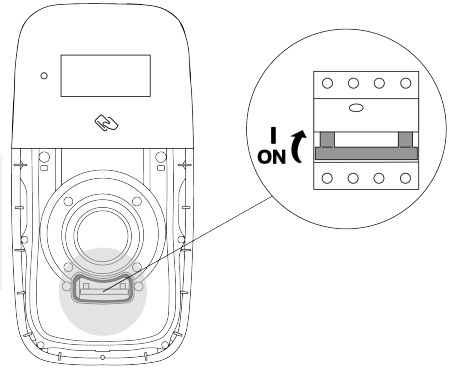


6. Um den FI/LS-Schalter auszuschalten, schwenken Sie den FI/LS-Schalter-Schalter nach unten.

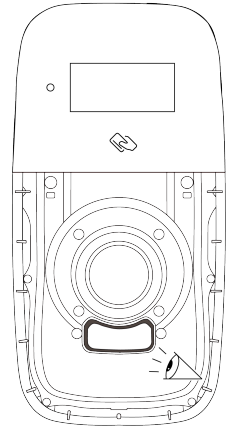
Der LED-Ring leuchtet drehend weiß, um anzuzeigen, dass die Ladestation hochgefahren wird. Die Ladestation ist zum Laden eines EV bereit, wenn der LED-Ring konstant grün leuchtet.

**i Anmerkung**

FI/LS-Schalter des Typs B werden verkehrt herum in die Ladestationen eingebaut. Wenn die Ladestation über einen FI/LS-Schalter vom Typ B verfügt, sind die Ein- und Ausschaltrichtungen umgekehrt.



7. Überprüfen Sie, dass die Dichtung an der inneren Abdeckung sauber und nicht beschädigt ist.

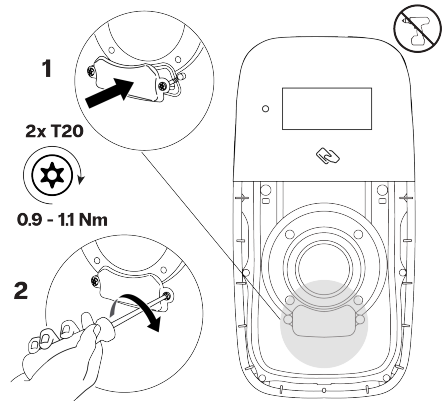


8. Installieren Sie die FI/LS-Schalter-Abdeckung auf der inneren Abdeckung. Ziehen Sie zwei unverlierbare Torx-Schrauben T20 Security an.

**⚠ ACHTUNG**

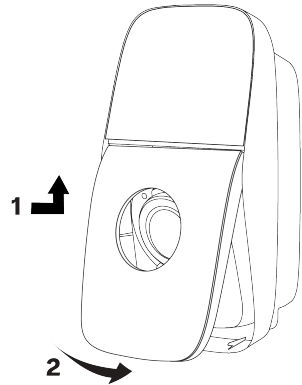
Die Verwendung eines Akkuschraubers mit hohem Drehmoment kann die Schrauben und Komponenten beschädigen.

- Verwenden Sie nur einen Schraubendreher mit niedrigem Drehmoment und der richtigen Drehmomenteinstellung.

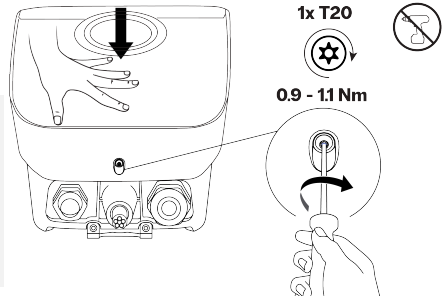


9. Montieren Sie die Frontabdeckung wie folgt:

- a. Rasten Sie die Oberkante der Frontabdeckung unter der Unterkante der Display-Abdeckung ein und schwenken Sie die Abdeckung dann nach unten, um das untere Schraubenloch auszurichten.



- b. Drücken Sie die Frontabdeckung gegen die Feder. Ziehen Sie die unverlierbare Torx T20-Sicherheitsschraube an, um die Frontabdeckung der Ladestation zu sichern.



**⚠ ACHTUNG**

Die Verwendung eines Akkuschaubers mit hohem Drehmoment kann die Schrauben und Komponenten beschädigen.

- Verwenden Sie nur einen Schraubendreher mit niedrigem Drehmoment und der richtigen Drehmomenteinstellung.

## 7. Außerbetriebnahme

Die Ladestation muss nach der Außerbetriebnahme den geltenden örtlichen Entsorgungsvorschriften entsprechend der Wiederverwertung zugeführt werden.

	<p>Die Ladestation darf nicht mit dem Hausmüll entsorgt werden. Diese Ladestation muss stattdessen zur Wiederverwertung an einer lokalen Sammelstelle für Elektro- und Elektronikaltgeräte abgegeben werden, um negative und gefährliche Auswirkungen auf die Umwelt zu vermeiden. Entsprechende Adressen erfragen Sie bitte bei Ihrer Gemeinde oder den örtlichen Behörden.</p>
	<p>Das Recycling von Materialien spart Rohstoffe und Energie und leistet einen großen Beitrag zum Umweltschutz.</p>

**FR**  
Cet appareil et ses accessoires se recycle

À DÉPOSER EN MAGASIN    À DÉPOSER EN DÉCHÈTERIE

OU

Points de collecte sur [www.quefairedemesdechets.fr](http://www.quefairedemesdechets.fr)  
Privilégiez la réparation ou le don de votre appareil !

## 8. Anhang

### 8.1. Glossar

Abkürzung	Bedeutung
1P	1-Phasen-Stromversorgung (Ein- und Ausgang). Die Nennwerte der Ladestation werden unten an der Ladestation angezeigt.

Abkürzung	Bedeutung
3P	3-Phasen-Stromversorgung (Ein- und Ausgang). Die Nennwerte der Ladestation werden unten an der Ladestation aufgezeigt.
AC	Wechselstrom.
CMP	Charging Management Platform (Lademanagement-Plattform, CMP). Dient als Back-End-Plattform für eine Verbindung zwischen Ladestation und CPO.
CPO	Charging Point Operator (Ladepunktbetreiber). Eigentümer und/oder Betreiber der Ladestation.
VNB	Verteilernetzbetreiber. Der Betreiber, der für das elektrische Stromversorgungsnetz verantwortlich ist.
ESD	Elektrostatische Entladung.
EV	Electric vehicle (Elektrofahrzeug).
IK	Stoßfestigkeit.
IP	Eindringenschutz.
RF	Radio Frequency communication (Hochfrequenzkommunikation).
LAN	Lokales Netzwerk (LAN).
LED	Light Emitting Diode (Leuchtdiode)
MCB (LS-Schalter)	Miniature Circuit Breaker (Leitungsschutzschalter).
Ocpp	Open Charge Point Protocol (Freier Ladepunkt-Kommunikationsstandard).
PE	Schutzerde (PE) oder Erdung.
FI/LS-Schalter	Fehlerstrom-Schutzschalter mit Überstromschutz.
RCD (FI-Schalter)	Residual Current Device (Fehlerstrom-Schutzeinrichtung).

## 8.2. EU-Konformitätserklärung

EVBox B.V. erklärt, dass die Funkanlage vom Typ EVBox Liviqo die Anforderungen der Richtlinie 2014/53/EU erfüllt. Der vollständige Text der EU-Konformitätserklärung ist unter [help.evbox.com](http://help.evbox.com) verfügbar.

### Regulatorische Informationen

Technologie	Frequenzbänder	Max. Ausgangsleistung
GSM 900	890 MHz – 915 MHz	27,77 dBm
GSM 1800	1710 MHz – 1785 MHz	24,77 dBm
LTE Band 3	1710 MHz – 1785 MHz	28,48 dBm
LTE Band 8	880 MHz – 915 MHz	28,48 dBm
LTE Band 20	832 MHz – 862 MHz	28,48 dBm
LTE Band 28	703 MHz – 748 MHz	28,48 dBm
WLAN (802.11b/g/n)	2412 MHz – 2484 MHz	16,79 dBm
WLAN (802.11a/n/ac)	5150 MHz – 5250 MHz	16,63 dBm
WLAN (802.11a/n/ac)	5725 MHz – 5850 MHz	11,46 dBm
RFID	13,56 MHz	19,00 dBm

# EVBox Liveiqo

## Cable



# Contenido

1. Introducción	145
1.1. Alcance del manual	145
1.2. Símbolos que se utilizan en este manual	145
1.3. Iconos que se utilizan en este manual	145
1.4. Certificación y cumplimiento	146
2. Seguridad	146
2.1. Precauciones de seguridad	146
2.2. Precauciones para el transporte y el almacenamiento	148
3. Características del producto	149
3.1. Descripción	149
3.2. Especificaciones técnicas	149
3.3. Componentes incluidos	151
4. Instrucciones de instalación	151
4.1. Antes de la instalación	151
4.1.1. Planificación de la instalación	151
4.1.2. Herramientas necesarias	153
4.1.3. Requisitos de la fuente de alimentación	153
4.1.4. Opcional: sistema de equilibrio de recarga	156
4.1.5. Opcional: equilibrio de recarga del clúster	156
4.1.6. Solo para los países aplicables: control remoto de la potencia para el DSO	158
4.2. Desembalaje	158
4.3. Instalación del soporte de pared y la estación de recarga	160
4.4. Conectar el cable de alimentación	162
4.5. Comunicación de la estación de recarga	168
4.5.1. Tendido de los cables de comunicación	169
4.5.2. Opcional: conectar el cable Ethernet para Internet	170
4.5.3. Opcional: instalar la tarjeta SIM para Internet	171
4.5.4. Opcional: conectar el cable del equilibrio de recarga dinámica	172
4.5.5. Solo para los países aplicables: conecte el cable de control remoto de la potencia	172
4.5.6. Apriete del pasamuros	173
4.6. Instalar las cubiertas de la estación de recarga	174
4.7. Configuración	178
4.7.1. Configurar la estación de recarga	178
4.7.2. Opcional: activar la estación de recarga con la CMP	179
4.7.3. Lista para su uso	179
5. Instrucciones de uso	179
5.1. Iniciar y detener una sesión de recarga	179
5.2. Indicación de estado	180
5.3. Mantenimiento por parte del usuario	181
5.4. Inicio de sesión de la estación de recarga	181
6. Resolución de problemas	182
6.1. Indicación de error	182
6.2. Acceso al RCBO	182
7. Desmontaje	185
8. Apéndice	185
8.1. Glosario	185

ES



# 1. Introducción

En este manual de instalación y de usuario, se describe cómo instalar la estación de recarga y prepararla para su uso. Lea detenidamente la información de seguridad antes de comenzar.

## 1.1. Alcance del manual

Las instrucciones de instalación y configuración descritas en este manual están destinadas exclusivamente a instaladores cualificados y con capacidad para evaluar el trabajo e identificar cualquier peligro potencial.

Las instrucciones del usuario están destinadas a los usuarios de la estación de recarga.

Conserve toda la documentación entregada con la estación de recarga en un lugar seguro durante todo el ciclo de vida del producto. Entregue toda la documentación a cualquier propietario o usuario posterior del producto.

Todos los manuales de EVBox se pueden descargar en [evbox.com/manuals](http://evbox.com/manuals).

### Descargo de responsabilidad

Este documento está redactado únicamente con fines informativos y no constituye una oferta o contrato vinculante con EVBox. EVBox ha recopilado este documento según su mejor saber y entender. No se otorga garantía expresa ni implícita por la integridad, precisión, fiabilidad o idoneidad para el propósito específico de su contenido y los productos y servicios que se presentan en él. La información del rendimiento y las especificaciones contienen valores promedio dentro de tolerancias existentes de especificación y están sujetas a cambios sin previa notificación. EVBox rechaza explícitamente cualquier responsabilidad por cualquier daño directo o indirecto, en el más amplio de los sentidos, que puedan surgir por parte de o relacionados con el uso o la interpretación de este documento.

© EVBox. Todos los derechos reservados. El nombre y el logotipo de EVBox son marcas comerciales de EVBox B.V o una de sus filiales. Ninguna parte de este documento podrá modificarse, reproducirse, procesarse ni distribuirse de ninguna forma ni por ningún medio sin el previo consentimiento por escrito de EVBox.

EVBox Manufacturing B.V.

Kabelweg 47

1014 BA Ámsterdam

Países Bajos

[help.evbox.com](http://help.evbox.com)

## 1.2. Símbolos que se utilizan en este manual

### Símbolos que se utilizan en este manual

#### PELIGRO

Indica una situación de peligro inminente con un alto nivel de riesgo que, en caso de no evitarse el peligro, causará lesiones graves o la muerte.

#### AVISO

Indica una situación de peligro potencial con un nivel de riesgo moderado que, en caso de no respetarse la advertencia, puede causar lesiones graves o la muerte.

#### PRECAUCIÓN

Indica una situación de peligro potencial con un nivel de riesgo medio que, en caso de no respetarse la precaución, puede causar lesiones menores o moderadas o daños al equipo.

#### Nota

Las notas contienen sugerencias útiles o referencias a información no contenida en este manual.

1., a. o i.      Acción que se debe seguir en el orden indicado.

## 1.3. Iconos que se utilizan en este manual



Elija una función



Instalador



Usuario



Comprobación visual



Solo para su uso en un lugar seco



No utilice un destornillador eléctrico



Fuente de alimentación de CA

ES

## 1.4. Certificación y cumplimiento

	El fabricante ha obtenido la certificación CE para la estación de recarga y lleva el logotipo correspondiente. El fabricante puede poner a su disposición la declaración de conformidad pertinente.
	Los aparatos eléctricos y electrónicos, incluidos sus accesorios, deben eliminarse por separado de los residuos sólidos urbanos generales.
	El reciclado de materiales permite ahorrar materias primas y energía y contribuye en gran medida a la conservación del medioambiente.



FR

Cet appareil et ses accessoires se recyclent

À DÉPOSER

EN MAGASIN

OU

À DÉPOSER

EN DÉCHÈTERIE

Points de collecte sur [www.quefairedemesdechets.fr](http://www.quefairedemesdechets.fr)  
Privilégiez la réparation ou le don de votre appareil !

### Nota

Consulte [Declaración de conformidad de la UE en la página 186](#) para ver la Declaración de conformidad de este producto.

## 2. Seguridad

### 2.1. Precauciones de seguridad

#### PELIGRO

Si no sigue las instrucciones de instalación y del usuario proporcionadas en este manual, correrá el riesgo de sufrir descargas eléctricas, lo que causará lesiones graves o la muerte.

- Lea este manual antes de instalar o utilizar la estación de recarga.

#### PELIGRO

La instalación, el mantenimiento, la reparación y el traslado de esta estación de recarga por parte de una persona no cualificada provocará el riesgo de descarga eléctrica, lo que puede causar lesiones graves o la muerte.

- La instalación, el mantenimiento, la reparación y el traslado de la estación de recarga solo pueden ser realizados por un electricista cualificado.
- El usuario no debe realizar ningún tipo de mantenimiento o reparación de la estación de recarga, ya que no contiene piezas que el usuario pueda reparar.
- Pueden ser aplicables determinadas normativas locales, que pueden variar en función de la región o el país en que se utilice. Un electricista cualificado debe asegurarse siempre de que la estación de recarga se instale de acuerdo con las normativas locales.

#### PELIGRO

Trabajar en instalaciones eléctricas sin las precauciones adecuadas provocará un riesgo de descarga eléctrica, lo que causará lesiones graves o la muerte.

- Antes de instalar la estación de recarga, desconecte la alimentación.
- No conecte la estación de recarga si no está completamente instalada y asegurada.
- No instale una estación de recarga que sea defectuosa o tenga un problema notable.

### PELIGRO

La exposición prolongada de la estación de recarga al agua provocará un riesgo de descarga eléctrica, que puede causar lesiones graves o la muerte.

- No utilice chorros de agua potentes sobre la estación de recarga ni en su interior.
- No introduzca el conector de recarga en ningún líquido.

### PELIGRO

El uso de la estación de recarga si está dañada o deteriorada provocará un riesgo de descarga eléctrica, que puede causar lesiones graves o la muerte.

- No utilice la estación de recarga si la fuente de alimentación, la caja o un conector EV están rotos, agrietados, abiertos o muestran cualquier otra indicación de daño.
- No utilice la estación de recarga si un cable de recarga está deshilachado, tiene un aislamiento roto o muestra cualquier otra indicación de daño.
- En caso de que se produzca una situación de peligro o un accidente, desconecte inmediatamente el suministro eléctrico a la estación de recarga.
- Póngase en contacto con su instalador, si sospecha que la estación de recarga está dañada.

### AVISO

Realizar la instalación de la estación de recarga en condiciones ambientales húmedas (por ejemplo, lluvia o niebla) puede provocar un riesgo de descarga eléctrica y daños al producto, lo que puede causar lesiones graves o la muerte.

- No instale ni abra la estación de recarga en condiciones ambientales húmedas (por ejemplo, lluvia o niebla).

### AVISO

El uso incorrecto de la estación de recarga supondrá un riesgo de descarga eléctrica, que puede causar lesiones o la muerte.

- Asegúrese de que el área de contacto del conector de recarga esté libre de suciedad y humedad antes de comenzar una sesión de recarga.
- Asegúrese de pasar el cable de recarga por un lugar seguro, donde nadie lo pise, oprima ni tropiece con él. Dicho cable debe estar exento de cualquier presión excesiva o fuerza que pueda dañarlo. Si corresponde, asegúrese de que el cable de recarga quede guardado correctamente cuando no esté en uso y de que el conector de recarga no toque el suelo.
- Tire siempre de la empuñadura del conector de recarga y nunca del cable de recarga.
- Mantenga la estación de recarga, el cable de recarga y el conector de recarga alejados de fuentes de calor, suciedad o agua.
- No manipule explosivos ni sustancias inflamables cerca de la estación de recarga.

### AVISO

El uso de adaptadores generales, adaptadores de conversión o alargadores con la estación de recarga puede ocasionar incompatibilidades técnicas y dañar la estación de recarga, lo que causará lesiones o la muerte.

- Esta estación de recarga se debe utilizar exclusivamente para la recarga de vehículos eléctricos compatibles. Para conocer más detalles, consulte las especificaciones de la estación de recarga en el manual de instalación de la estación.
- Consulte el manual del usuario de su vehículo para asegurarse de la compatibilidad.

### AVISO

La exposición de la estación de recarga o del cable de recarga a fuentes de calor o sustancias inflamables puede dañar la estación de recarga, lo que puede causar lesiones o la muerte.

- Asegúrese de que la estación de recarga y el cable de recarga no entren nunca en contacto con fuentes de calor.
- No manipule explosivos ni sustancias inflamables cerca de la estación de recarga.

**⚠ AVISO**

El uso de la estación de recarga en condiciones no especificadas en este manual puede provocar daños a la misma, lo que puede causar lesiones o la muerte.

- Utilice únicamente la estación de recarga bajo las condiciones de funcionamiento indicadas en este manual.

**⚠ AVISO**

Trabajar en instalaciones eléctricas sin utilizar el equipo de protección individual puede provocar riesgo de lesiones.

- Para evitar lesiones personales, utilice un equipo de protección individual, como protección para los ojos, guantes resistentes a los cortes y zapatos de seguridad antideslizantes.

**⚠ AVISO**

En caso de incendio, no seguir las instrucciones sobre extinción de incendios puede incrementar el peligro, lo que puede causar lesiones o la muerte.

- Cuando sea seguro hacerlo, desconecte el suministro eléctrico al equipo que se está quemando o está en peligro de incendio.
- No utilice agua para extinguir instalaciones y equipos eléctricos que tengan una fuente de alimentación activa.
- Para apagar una estación de recarga, utilice un extintor que esté especificado para uso en equipos eléctricos con una clasificación de hasta 1 kV.

**⚠ PRECAUCIÓN**

Si se recarga un vehículo eléctrico sin desenrollar por completo el cable de recarga, puede provocar un sobrecalentamiento del cable, lo que puede dañar la estación de recarga.

- Antes de conectar el cable de recarga al vehículo, desenróllelo por completo para comprobar que no tenga ningún bucle.

**⚠ PRECAUCIÓN**

No introduzca los dedos ni ningún otro objeto en el interior del puerto del conector (por ejemplo, durante la limpieza), ya que esto puede causar lesiones o daños a la estación de recarga.

- No introduzca los dedos en el interior del puerto del conector.
- No introduzca ningún objeto en el interior del puerto del conector.

**⚠ PRECAUCIÓN**

Si no se toman precauciones contra las ESD (descargas electrostáticas), se pueden dañar los componentes electrónicos de la estación de recarga.

- Tome las precauciones necesarias contra las ESD antes de tocar los componentes electrónicos.

**⚠ PRECAUCIÓN**

Si no se habilitan las actualizaciones de firmware para esta estación de recarga, o se inhabilitan, cancelan o no se instalan las actualizaciones de firmware disponibles, la estación de recarga puede tener problemas, funcionar con errores y ser más propensa a presentar riesgos de seguridad.

## 2.2. Precauciones para el transporte y el almacenamiento

Respete las directrices siguientes para transportar y almacenar la estación de recarga:

- No levante nunca la estación de recarga tirando del cable de recarga.
- Desconecte la corriente de entrada antes de retirar la estación de recarga para su almacenamiento o traslado.
- Transporte y almacene la estación de recarga exclusivamente en su embalaje original. No se acepta ninguna responsabilidad por daños si el producto no se transporta en un embalaje estándar.
- Almacene la estación de recarga en un ambiente seco y dentro de los intervalos de humedad y temperatura que se indican en las Especificaciones técnicas (consulte [Especificaciones técnicas en la página 149](#)).

## 3. Características del producto

### 3.1. Descripción

#### 1. Estación de recarga

La estación de recarga suministra energía eléctrica de forma segura de la red al vehículo eléctrico (VE).

#### 2. Pantalla

La pantalla guía al usuario a través de las acciones necesarias y muestra información sobre la sesión de recarga.

#### 3. Sensores de luz y de proximidad

El sensor de luz mide la intensidad de la luz para ajustar automáticamente el brillo de la pantalla y del anillo LED. El sensor de proximidad enciende la pantalla cuando se acerca una persona a la estación de recarga.

#### 4. Lector RFID

Esta es el área donde se escanea la tarjeta de recarga o el llavero de aproximación para iniciar o detener una sesión de recarga.

#### 5. Anillo LED

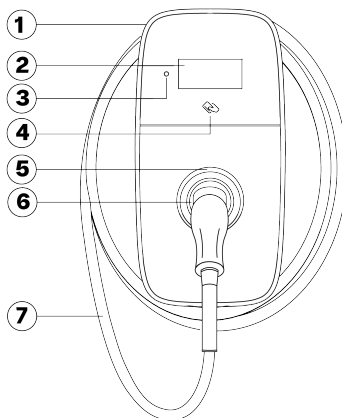
El anillo LED indica el estado de la estación de recarga.

#### 6. Base

La base sujeta el conector del cable de recarga cuando no se utiliza.

#### 7. Cable de recarga

El cable de recarga se conecta a la estación de recarga y al vehículo. El cable de recarga se guarda enrollándolo alrededor de la estación cuando no se utiliza.



### 3.2. Especificaciones técnicas

Característica	Descripción
<b>Propiedades eléctricas</b>	
Tasa de recarga máxima	Hasta 22 kW (trifásica, 32 A) <b>i</b> Nota Se puede producir una reducción de potencia. La tasa de recarga depende de factores como la demanda del VE, la fuente de alimentación disponible y la temperatura ambiente.
Modo de recarga	Modo 3 (IEC 61851-1)
Cable de recarga fijo	Conector de tipo 2 (IEC 62196-1, IEC 62196-2)
Longitud del cable de recarga	6 m
Contador de kWh	Homologado por MID con precisión de clase B (EN-50470) Contador conforme a la normativa Eichrecht <sup>(1)</sup>
Capacidad de entrada	Configurable de 6 a 32 A Monofásica, 230 V $\pm 10$ %, máximo 32 A $\pm 6$ %, 50/60 Hz Trifásica, 400 V $\pm 10$ %, máximo 32 A $\pm 6$ %, 50/60 Hz

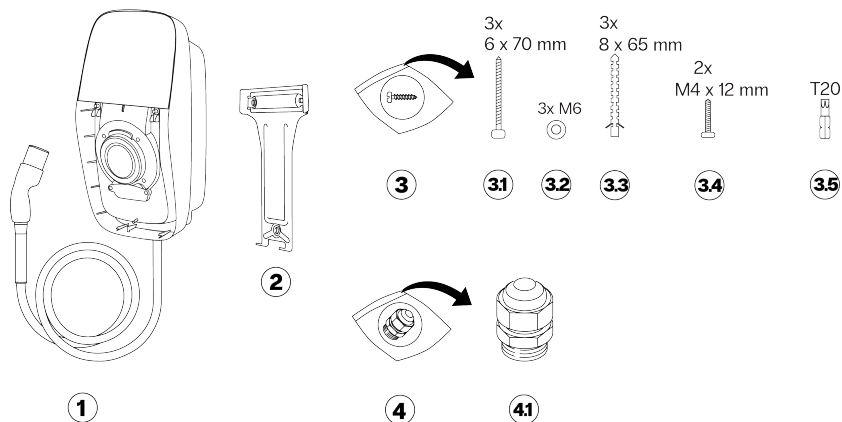
Característica	Descripción
Diámetro de la funda del cable de alimentación	De 12 a 25 mm
Calibre del filamento del cable de alimentación	Cable macizo: máximo 16 mm <sup>2</sup> Cable trenzado con férula (sin manguito de plástico): máximo 10 mm <sup>2</sup>
Tensión soportada de impulso nominal (U <sub>imp</sub> )	4000 V
Tensión de aislamiento nominal (U <sub>i</sub> )	250 V CA (fase a tierra) 450 V CA (fase a fase)
Detección de corriente de fuga	Los tiempos y límites de disparo cumplen con la norma IEC 61851-1:2017 Cl. 8.5. (de conformidad con la norma IEC 62955:2018 Tabla 2). Véase <a href="#">Requisitos de la fuente de alimentación en la página 153</a> . RCBO: Tipo A o B
<b>Clase de medioambiente y seguridad</b>	
Rango de temperatura de funcionamiento	De -30 °C a +50 °C
Rango de temperatura de almacenamiento	De -40 °C a +80 °C
Humedad (sin condensación)	Del 5 % al 95 %
Altitud máxima de instalación	2000 m sobre el nivel del mar
Códigos de la caja	IP55 (IEC 60529), IK10 (IEC 62262)
Clase de seguridad	Clase de seguridad I y categoría de sobretensión III
Grado de contaminación del macroentorno	Grado de contaminación 3
Clasificación de compatibilidad electromagnética (EMC)	Entorno A y Entorno B (de acuerdo con la norma IEC 61439-1)
Resistencia mecánica para montaje fijo	Alta resistencia
<b>Conectividad</b>	
Autorización	Lector RFID o mediante una aplicación
Wi-Fi	2,4/5 GHz
Red de área local	Ethernet
Comunicación móvil	4G LTE-M (compatible con 2G)
Protocolo de comunicación	OCPP 2.0.1
Características de la recarga inteligente	Sistema de equilibrio de recarga dinámica, equilibrio de recarga del clúster, compatible con EEBus, ISO 15118 (preparado para hardware)
<b>Características físicas</b>	
Dimensiones (An x Al x F)	256 x 508 x 211 mm
Peso	Aproximadamente 8,4 kg
Material de la carcasa	Makrolon RE® bajo en carbono
IHM	LCD IPS de 5" 800 x 480 WVGA, anillo LED, timbre, autorización
<b>Certificación y cumplimiento</b>	
Entrada de la fuente de alimentación	Equipo de alimentación de VE conectado permanentemente a la red de alimentación de CA
Salida de la fuente de alimentación	Equipo de alimentación de CA para VE
Condiciones ambientales normales	Uso en interiores y exteriores

Característica	Descripción
Acceso	Equipos para lugares con acceso no restringido
Tipo de equipo	Equipo fijo que va montado en la pared o en un poste

<sup>(1)</sup>Opcional.

### 3.3. Componentes incluidos

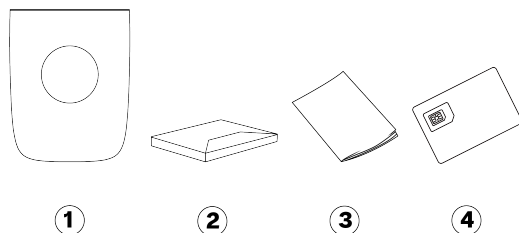
#### Componentes en la caja de la estación de recarga



- 1 Estación de recarga con cable de recarga
- 2 Soporte de pared
- 3 Kit de instalación
- 3.1 Tornillos para paneles, 6x70 mm, T20, 3x
- 3.2 Arandelas, M6, 3x

- 3.3 Tacos de pared, 8x65 mm, 3x
- 3.4 Tornillos, M4x12 mm, T20, 2x
- 3.5 Punta Torx, seguridad T20
- 4 Kit de pasamuros
- 4.1 Pasamuros, 12-20 mm, con junta y tapón ciego

#### Componentes en la caja de la cubierta



- 1 Cubierta delantera
- 2 Paquete de bienvenida (opcional)
- 3 Manual de instalación y de usuario
- 4 Tarjeta SIM (opcional)

## 4. Instrucciones de instalación

### 4.1. Antes de la instalación

#### 4.1.1. Planificación de la instalación

Las siguientes recomendaciones le ayudarán a planificar la instalación de la estación de recarga.

#### Elección de la ubicación

- Siempre que sea posible, sitúe la estación de recarga en un lugar no expuesto a la luz solar directa ni a

posibles daños externos.

- La pared debe tener una estructura plana y debe ser capaz de soportar una carga de al menos 100 kg.
- El espacio libre mínimo que debe haber alrededor de la estación de recarga es de 300 mm.
- La ubicación no debe ocasionar que el cable de recarga tenga curvas pronunciadas.
- El cable de alimentación puede entrar en la estación de recarga por arriba o por abajo. La entrada inferior del cable A se puede utilizar en cualquier lugar. La entrada superior del cable B solo debe utilizarse en un lugar donde no haya riesgo de exposición a la lluvia o la humedad.

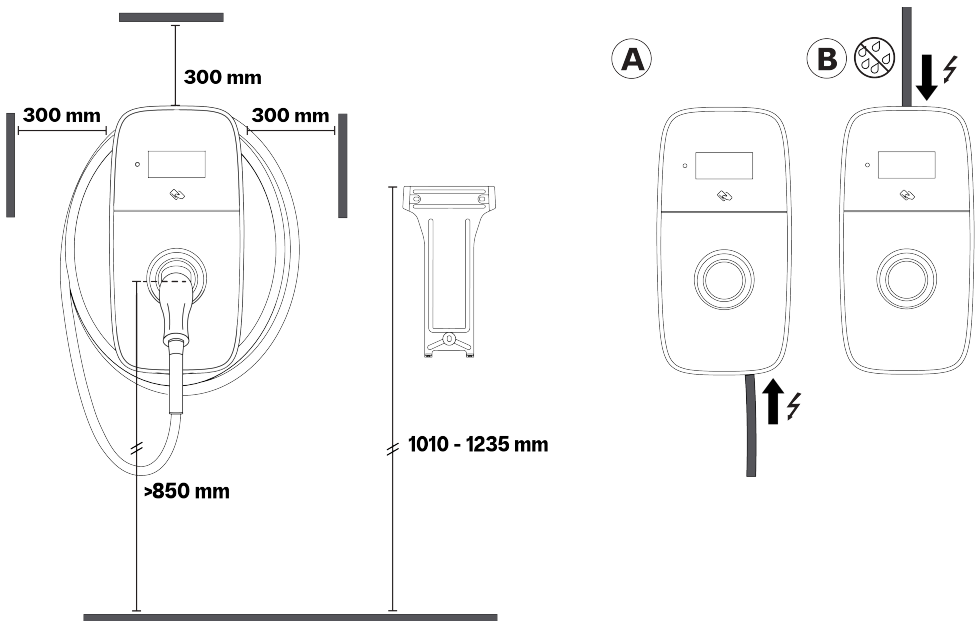
#### ⚠ PRECAUCIÓN

Riesgo de entrada de agua cuando se utiliza la entrada superior del cable B en el exterior. Con el paso del tiempo, la lluvia y la humedad pueden entrar en la estación de recarga por el cable de alimentación, lo que puede dañarla.

- El cable de comunicación solo puede entrar por la parte inferior de la estación de recarga.

#### 📌 Nota

La ilustración siguiente muestra la altura de instalación mínima recomendada. Observe y cumpla las normativas locales de accesibilidad.



### Lista de verificación previa a la instalación

Antes de comenzar la instalación de la estación de recarga, compruebe lo siguiente:

- La instalación se realizará de acuerdo con la norma IEC 60364 y cualquier normativa local vigente.
- Se han obtenido todos los permisos necesarios por parte de la autoridad local competente.
- Se ha calculado la carga eléctrica existente para poder determinar la máxima corriente de funcionamiento para la instalación de la estación de recarga.
- Si se trata de una estación de recarga sin RCBO, están instalados un minidisuntor (MCB) y un dispositivo de corriente residual (RCD) antes de la estación y tienen las clasificaciones recomendadas. Véase [Requisitos de la fuente de alimentación en la página 153](#).
- Se ha tendido el cable de la fuente de alimentación con las especificaciones correctas hasta el área de instalación y tiene longitud suficiente para pelar y conectar los filamentos.
- El cable de alimentación se mantendrá dentro de sus márgenes de curvatura durante y después de la instalación.
- Las herramientas recomendadas están disponibles en el sitio. Véase [Herramientas necesarias en la página](#)



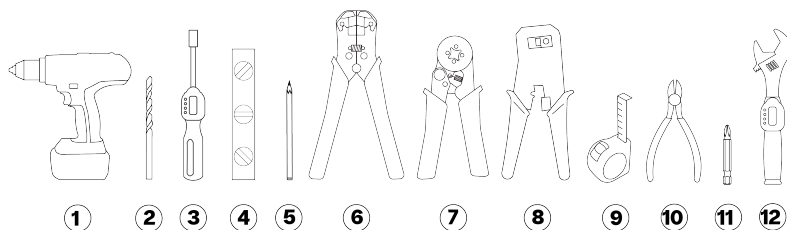
#### 4. Instrucciones de instalación

##### 153.

- Los tacos, tornillos y brocas que se utilizan para instalar la estación de recarga son adecuados para la estructura de la pared.
- Si se utiliza una configuración en clúster, se ha planificado el orden correcto de las fases y se cumplen los requisitos. Véase [Opcional: equilibrio de recarga del clúster en la página 156](#).

ES

#### 4.1.2. Herramientas necesarias



1. Taladro
2. Puntas de taladro para mampostería, 8 mm
3. Destornillador dinamométrico con portapuntas, de 0,5 a 3 Nm
4. Nivel de burbuja
5. Lápiz
6. Pelacables (cable de alimentación)
7. Herramienta de crimpado de férula
8. Pelacables y herramienta de crimpado (RJ45)
9. Cinta métrica
10. Cortadores de cables
11. Punta de destornillador, PH2
12. Llave dinamométrica, de 3 a 6 Nm

#### 4.1.3. Requisitos de la fuente de alimentación

##### **⚠ PELIGRO**

La conexión de la estación de recarga a un suministro eléctrico que no sea el especificado en esta sección puede hacer que la instalación sea incompatible y provocar un riesgo de descarga eléctrica, lo que puede causar daños a la estación de recarga y lesiones o la muerte.

- Conecte la estación de recarga exclusivamente con la configuración que se especifica en esta sección.

Sistema de puesta a tierra	Sistemas TN-S y TNC-S	Cable PE.
	Sistema TT Sistema IT	Electrodo de tierra, instalado por separado (autoinstalable).
Entrada de energía (fase)	Monofásica	230 V $\pm 10$ %, hasta 32 A $\pm 6$ %, 50/60 Hz.
	Trifásica	400 V $\pm 10$ %, hasta 32 A $\pm 6$ %, 50/60 Hz.
MCB (minidisyuntor)	<ul style="list-style-type: none"> <li>• Característica de disparo: tipo C.</li> <li>• La corriente de disparo del MCB puede disminuir si en el armario de la fuente de alimentación la temperatura ambiente es alta. Al elegir las especificaciones de MCB, tenga en cuenta las posibles temperaturas ambiente más altas.</li> <li>• No es necesario para estaciones con un RCBO integrado.</li> </ul> <p><b>📌 Nota</b></p> <ul style="list-style-type: none"> <li>• La instalación, incluido el MCB, se deberá realizar de acuerdo con la norma IEC 60364 y cualquier normativa local vigente.</li> <li>• El MCB debe coincidir con los ajustes de amperaje de la estación de recarga y la corriente máxima disponible para esta, de acuerdo con las especificaciones del fabricante del MCB.</li> <li>• El valor máximo <math>I^2t</math> del MCB no debe exceder de 75 000 A<sup>2</sup>s.</li> </ul>	

<p>RCD (dispositivo de corriente residual)</p>	<ul style="list-style-type: none"> <li>Clasificación de amperaje del RCD: la clasificación debe coincidir con el amperaje de la estación de recarga.</li> <li>Instalaciones estándar:             <ul style="list-style-type: none"> <li>Para Francia, el RCD debe ser de tipo B, con una corriente nominal de 20 A o 40 A y tener una detección de fugas de corriente CA de 30 mA como máximo.</li> <li>Para otros países, el RCD debe ser de tipo A, F o B, con una corriente nominal de 20 A, 32 A o 40 A y tener una detección de fugas de corriente CA de 30 mA como máximo.</li> </ul> </li> <li>Instalaciones EV Ready: el RCD debe ser de tipo A+, de alta inmunidad (por ejemplo: HPI, SI, HI, KV, etc., dependiendo del fabricante del RCD).</li> <li>No es necesario para estaciones con un RCBO integrado.</li> </ul> <p><b>Nota</b></p> <ul style="list-style-type: none"> <li>La instalación, incluido el RCD, se deberá realizar de acuerdo con la norma IEC 60364 y cualquier normativa local vigente.</li> <li>La estación de recarga tiene detección interna de fugas de CC, con tiempos y límites de disparo que cumplen con la norma IEC 61851-1:2017 Cl. 8.5. (de conformidad con la norma IEC 62955:2018 Tabla 2).</li> </ul>
--	---

### Cableado de la fuente de alimentación

En las tablas siguientes, se describe cómo conectar la fuente de alimentación a la estación de recarga, según el tipo de fuente de alimentación y la configuración de la estación.

#### **⚠** AVISO

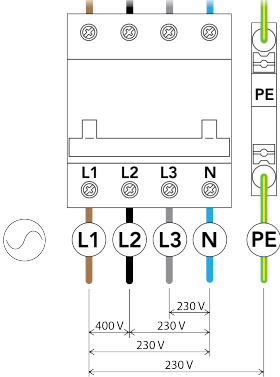
La conexión de una fuente de alimentación IT (sin neutro) a un RCBO de tipo A integrado puede provocar daños en la estación de recarga, lo que puede causar lesiones o la muerte.

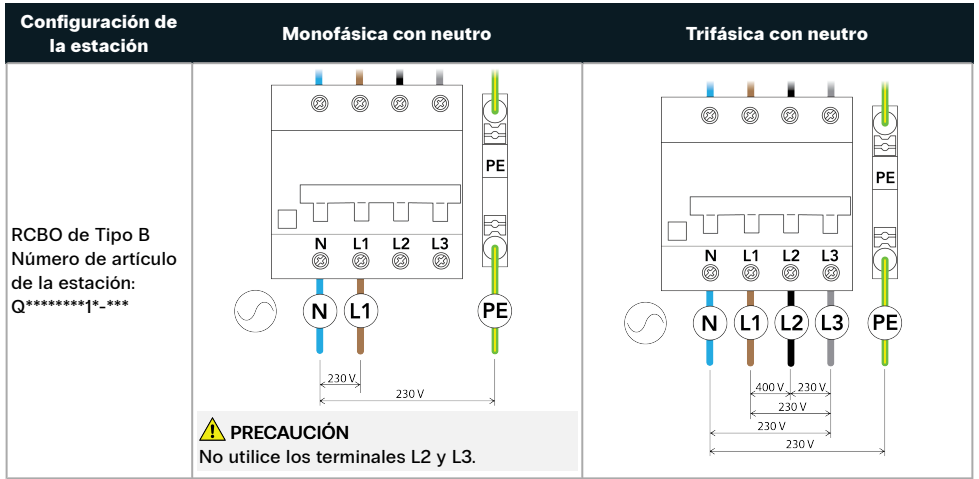
- Conecte únicamente una fuente de alimentación trifásica TN o TT (con neutro) a un RCBO de tipo A integrado.

### Fuentes de alimentación TN y TT al RCBO

#### **i** Nota

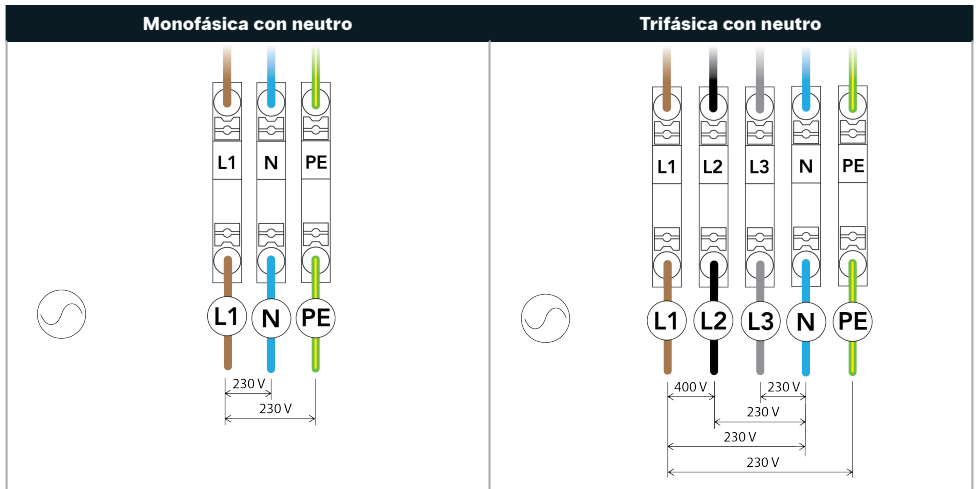
Esta sección solo es aplicable a las estaciones con RCBO integrado.

Configuración de la estación	Monofásica con neutro	Trifásica con neutro
<p>RCBO de Tipo A Número de artículo de la estación: Q*****B*.***</p>	<p><b>⚠</b> PRECAUCIÓN No compatible. No conecte una fuente monofásica a una estación con un RCBO trifásico más neutro.</p>	



Fuentes de alimentación TN y TT

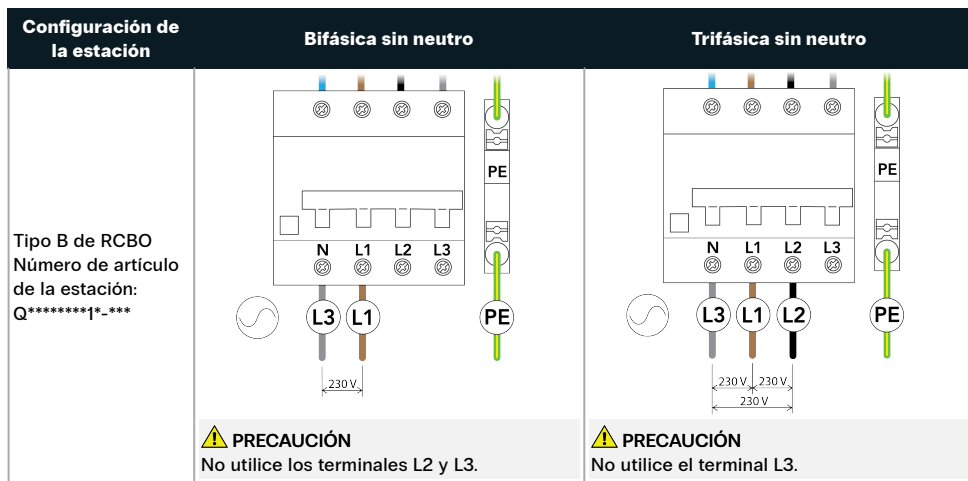
**i Nota**  
Esta sección solo es aplicable a las estaciones sin RCBO integrado.



Fuente de alimentación IT (sin neutro) al RCBO

**⚠ PRECAUCIÓN**  
Asegúrese de que la normativa local permita la instalación de esta estación de recarga en una red IT sin neutro. Asegúrese de que el VE sea compatible con este tipo de instalación.

**i Nota**  
Esta sección solo es aplicable a las estaciones con RCBO integrado.



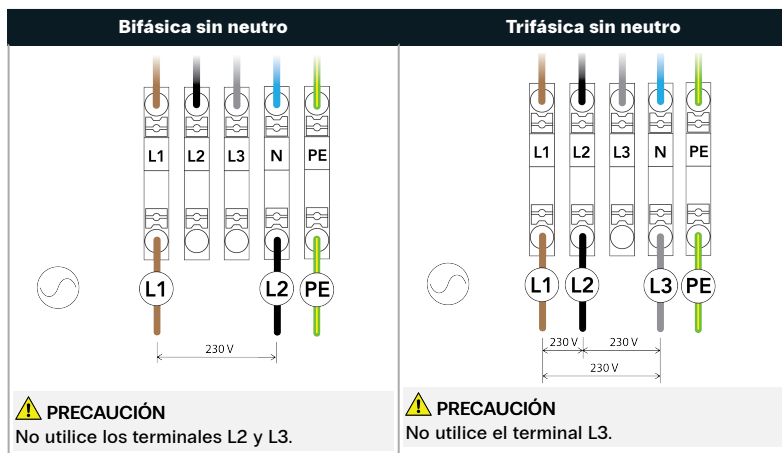
## Fuente de alimentación IT (sin neutro)

**⚠ PRECAUCIÓN**

Asegúrese de que la normativa local permita la instalación de esta estación de recarga en una red IT sin neutro. Asegúrese de que el VE sea compatible con este tipo de instalación.

**i Nota**

Esta sección solo es aplicable a las estaciones sin RCBO integrado.



## 4.1.4. Opcional: sistema de equilibrio de recarga

El sistema de equilibrio de recarga dinámica controla el consumo de energía de todos los aparatos eléctricos que utilizan la misma fuente de energía. El proporciona una señal de control a la estación de recarga para regular la energía que esta suministra al VE, lo que mantiene el consumo total de energía desde la fuente de alimentación dentro de los límites predefinidos. En una instalación de clúster, la estación de recarga conectada regula las demás estaciones de recarga conectadas en el clúster.

El sistema de equilibrio de recarga dinámica requiere una entrada cableada de un sistema de detección de equilibrio de recarga (véase [Comunicación de la estación de recarga en la página 168](#)).

## 4.1.5. Opcional: equilibrio de recarga del clúster

#### 4. Instrucciones de instalación

Una instalación clúster de equilibrio de recarga consta de varias estaciones de recarga conectadas en un clúster. Un clúster permite establecer una red inteligente en todos sus componentes para optimizar el uso de energía. Cualquier estación se puede utilizar como estación conectada en el clúster. El clúster se configura utilizando EVBox Install App. Para que el equilibrio de recarga sea correcto, el clúster debe estar conectado a un solo circuito de alimentación de energía.

ES

El sistema de equilibrio de recarga del clúster requiere que cada estación del clúster esté conectada a la misma red de área local (LAN) mediante la conexión Ethernet (véase [Comunicación de la estación de recarga en la página 168](#)).

#### Requisitos del sistema de equilibrio de recarga del clúster

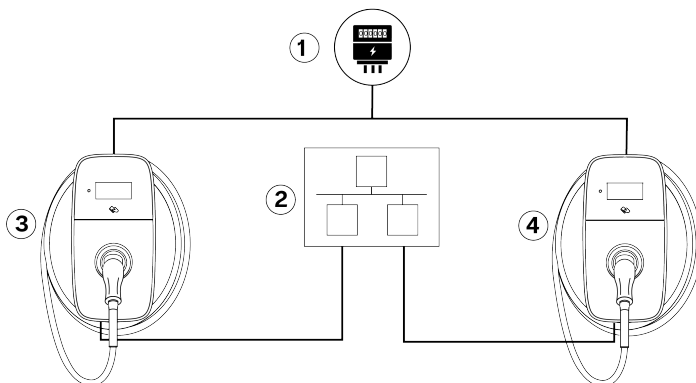
Commutador Ethernet	<ul style="list-style-type: none"><li>• Compatibilidad con IPv6</li><li>• No gestionado</li><li>• Número de puertos: el número de puertos debe ser igual o superior al número de cargadores conectados al clúster.</li><li>• Puerto RJ45</li><li>• 100 Mbps o superior</li><li>• Multidifusión estática: desactivada</li><li>• Multidifusión dinámica (snooping de MLD): desactivada</li></ul> <p><b>i Nota</b></p> <ul style="list-style-type: none"><li>◦ Para clústeres grandes, se pueden combinar dos o más conmutadores en la misma red.</li><li>◦ Si el conmutador se utiliza para la conexión a Internet, se necesita un puerto adicional.</li></ul>
Cables	<ul style="list-style-type: none"><li>• CAT5</li><li>• Longitud: 100 m de longitud máxima para cada nodo del clúster</li></ul>

#### Diagrama de conexión

En el siguiente diagrama se describe cómo se conectan varias estaciones de recarga en un clúster.

**i Nota**

El diagrama no incluye la conexión a Internet de la estación de recarga. La conexión a Internet de la estación de recarga puede establecerse mediante un teléfono móvil, Wi-Fi o Ethernet.



1. Fuente de alimentación
2. Conmutador Ethernet

3. Cargador de CA 1
4. Cargador de CA N

#### Rotación de fases

Para evitar la sobrecarga de la primera fase con vehículos eléctricos monofásicos, el orden de las fases de cada

estación de recarga que se conecte a un suministro trifásico en una instalación de distribución de energía debe configurarse con la EVBox Install App.

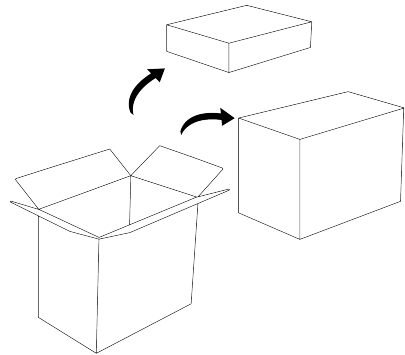
#### 4.1.6. Solo para los países aplicables: control remoto de la potencia para el DSO

De acuerdo con las Normas técnicas de conexión VDE-AR-N-4100:2019-04 Cl. 10.6.4, una estación de recarga con una potencia nominal de más de 12 kVA debe disponer de una interfaz de control remoto de la potencia que permita al operador del sistema de distribución (DSO, por sus siglas en inglés) apagar la estación. Esta estación de recarga se puede conectar por cable a un dispositivo de DSO de subida equipado con un relé de apertura normal (NO, por sus siglas en inglés). Cuando el relé se cierra, la estación entra en un modo de suspensión y la recarga se pausa. La recarga se reanuda cuando se abre el relé. Para consultar las instrucciones de conexión del cable, véase [Solo para los países aplicables: conecte el cable de control remoto de la potencia en la página 172](#).

Se requiere registro con el DSO.

## 4.2. Desembalaje

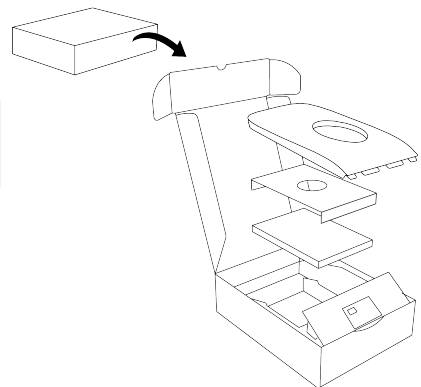
1. Abra la caja de envío. Saque la caja de la cubierta y la caja de la estación de recarga.



2. Abra la caja de la cubierta. Busque la cubierta delantera, el paquete de bienvenida (opcional), la documentación de la estación de recarga y la tarjeta SIM (opcional).

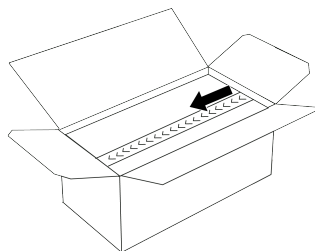
### **i** Nota

Para evitar daños, deje la cubierta delantera en su embalaje hasta la instalación.



#### 4. Instrucciones de instalación

3. Abra la caja de la estación.

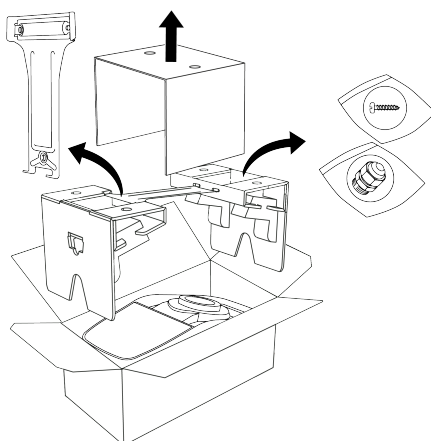


ES

4. Retire los tres cartones de relleno, el soporte de pared y los kits de instalación.

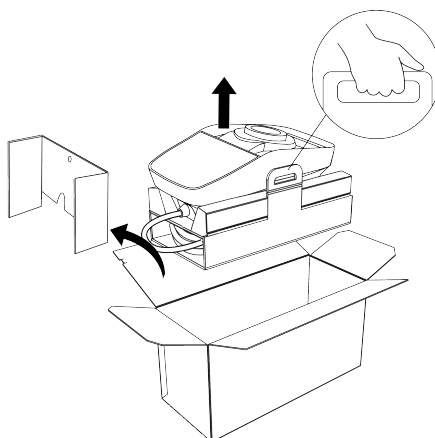
**i Nota**

Para evitar daños, deje la estación de recarga y el cable en su embalaje hasta la instalación.

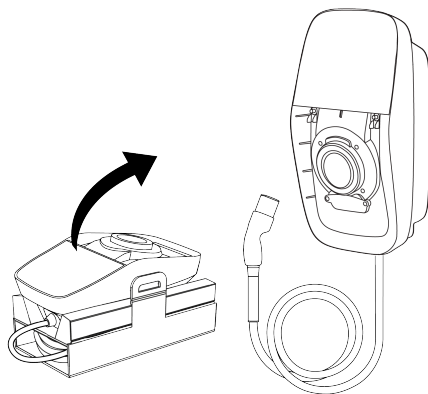


5. Cuando pueda instalarse la estación en el soporte de pared, retire el embalaje de la estación de recarga del siguiente modo:

- a. Retire el cartón de relleno y, a continuación, saque el embalaje de cartón con la estación de recarga y el cable de la caja de la estación.



- b. Retire el embalaje de la estación de recarga y del cable de recarga.

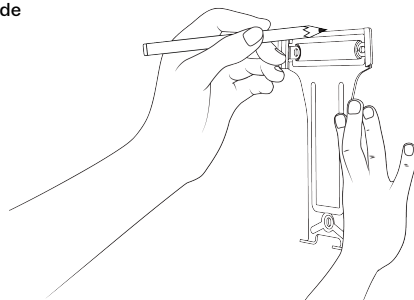


### 4.3. Instalación del soporte de pared y la estación de recarga

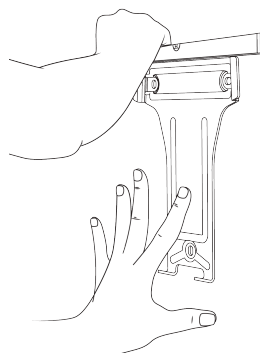
#### **⚠ PRECAUCIÓN**

Siga las recomendaciones indicadas en [Planificación de la instalación en la página 151](#) a la hora de elegir la ubicación y la altura de instalación de la estación de recarga, así como la entrada del cable de alimentación.

1. Instale el soporte de pared del modo siguiente:
  - a. Marque la altura de la parte superior del soporte de pared.



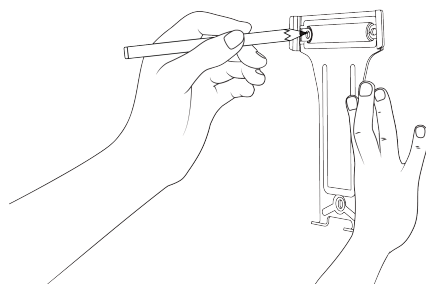
- b. Sostenga el soporte en la pared y nivélelo con un nivel de burbuja.





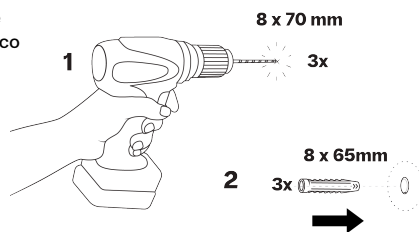
#### 4. Instrucciones de instalación

- c. Marque los tres puntos en la pared para los tornillos. Retire el soporte de pared.

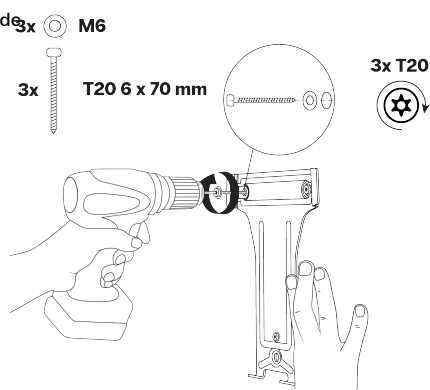


ES

- d. Perfore un orificio de 8 mm a una profundidad de 70 mm en cada punto de atornillado. Ponga un taco de 8 x 65 mm en cada orificio.

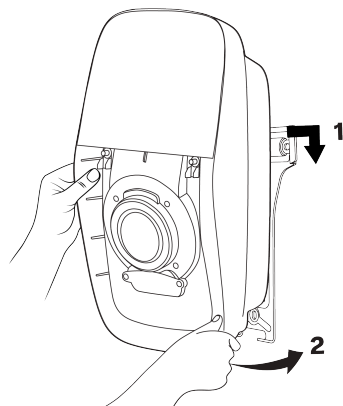


- e. Monte el soporte de pared con tres tornillos T20 de 6x70 mm y arandelas M6.



2. Instale la estación de recarga de la siguiente manera:

- a. Enganche la estación de recarga con la parte superior del soporte de pared y, a continuación, gírela hacia abajo para alinearla con los dos orificios para los tornillos inferiores.

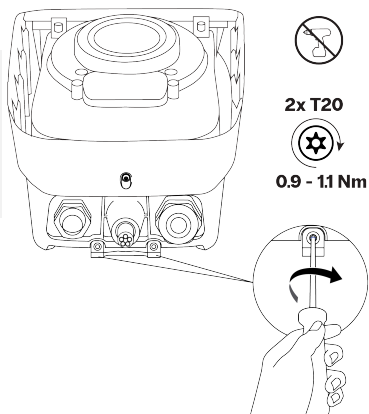


- b. Monte dos tornillos Torx T20 de seguridad para fijar la estación de recarga al soporte de pared.

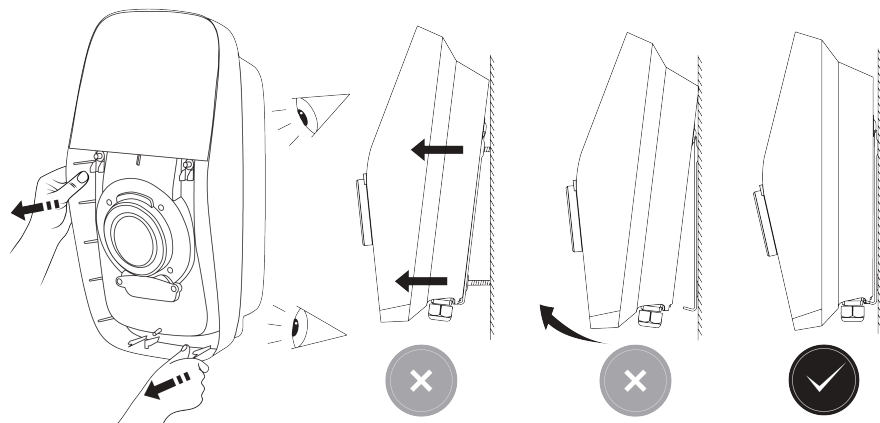
**⚠ PRECAUCIÓN**

El uso de un destornillador eléctrico con un par de apriete elevado puede dañar los tornillos y los componentes.

- Utilice únicamente un destornillador de par de apriete bajo con el ajuste correcto.



- c. Tire suavemente de la estación de recarga para asegurarse de que esté bien sujeta al soporte y a la pared.



#### 4.4. Conectar el cable de alimentación

La estación de recarga dispone de dos pasamuros intercambiables:

#### 4. Instrucciones de instalación

- El pasamuros instalado es para un cable de alimentación con un diámetro de funda de 13 a 25 mm.
- El kit de pasamuros es para un cable de alimentación con un diámetro de funda de 12 a 20 mm.

Los terminales aceptan un calibre de cable dentro del siguiente rango:

- Cable macizo: máximo 16 mm<sup>2</sup>.
- Cable trenzado con férula (sin manguito de plástico): máximo 10 mm<sup>2</sup>.

El cable de alimentación puede entrar en la estación de recarga por arriba o por abajo. La entrada inferior del cable A se puede utilizar en cualquier lugar. La entrada superior del cable B solo debe utilizarse en un lugar donde no haya riesgo de exposición a la lluvia o la humedad.

#### **⚠ PRECAUCIÓN**

Siga las recomendaciones indicadas en [Planificación de la instalación en la página 151](#) a la hora de seleccionar el punto de entrada del cable de alimentación para la estación de recarga.

#### **i Nota**

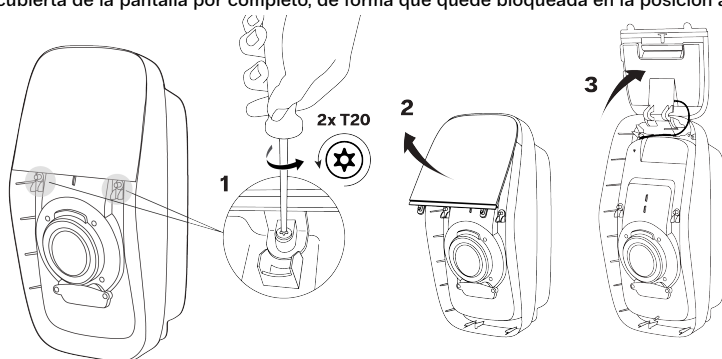
El cable de comunicación solo puede entrar por la parte inferior de la estación de recarga.

#### **i Nota**

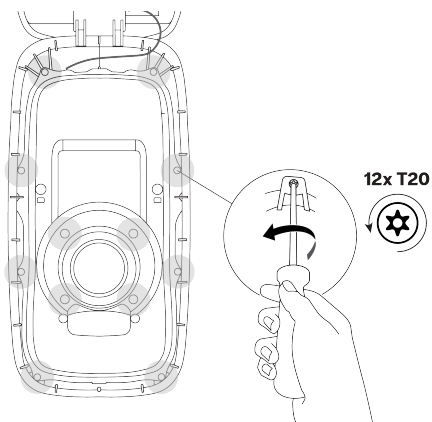
Todos los tornillos Torx T20 de seguridad son tornillos cautivos. No retire completamente los tornillos cautivos de la estación de recarga.

#### 1. Retire la cubierta interior de la siguiente manera:

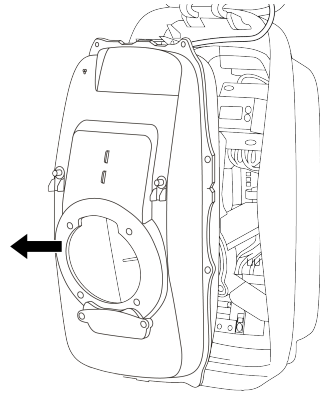
- a. Afloje los dos tornillos cautivos Torx T20 de seguridad que sujetan la cubierta de la pantalla. Abra la cubierta de la pantalla por completo, de forma que quede bloqueada en la posición abierta.



- b. Afloje los 12 tornillos cautivos Torx T20 de seguridad que sujetan la cubierta interior.

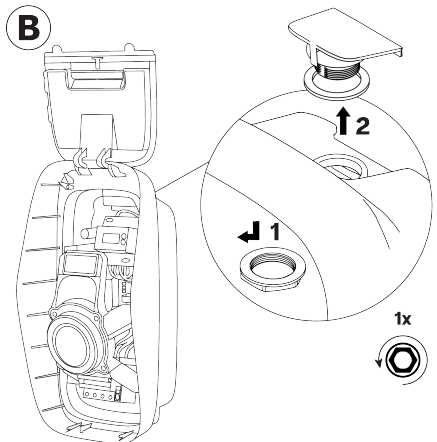


- c. Retire la cubierta interior.

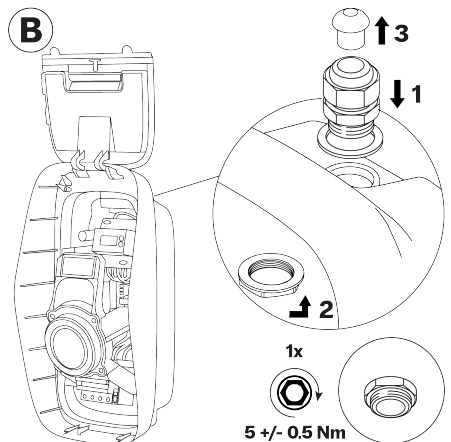


2. Para la opción de entrada superior del cable B: prepare la entrada superior para el cable de alimentación de la siguiente manera:

- a. Retire la tuerca que asegura la cubierta en el punto de entrada superior. Retire la cubierta. Guarde la tuerca para utilizarla en el pasamuros. Guarde la cubierta en el embalaje.



- b. Monte el pasamuros y la junta en la entrada superior. Monte y apriete la tuerca. Retire el tapón ciego del pasamuros y guárdelo para un uso posterior.

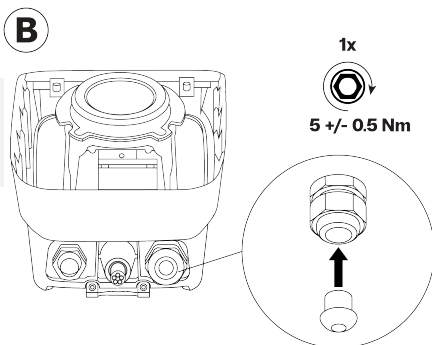


#### 4. Instrucciones de instalación

- c. Monte el tapón ciego en el pasamuros no utilizado que hay en la parte inferior de la estación de recarga.

##### **⚠ PRECAUCIÓN**

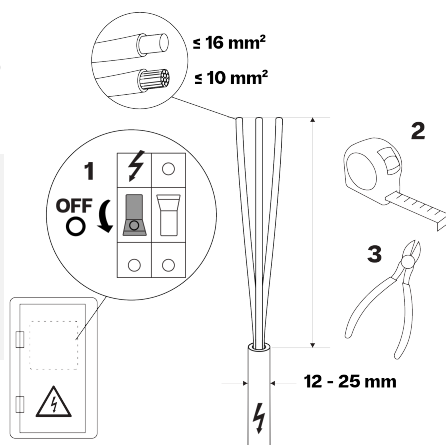
Asegúrese de montar el tapón ciego en el pasamuros para mantener el código IP de la estación de recarga.



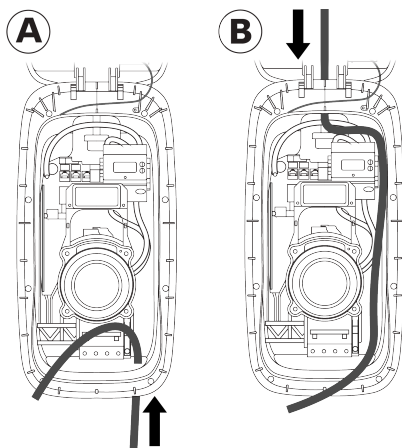
3. Corte el cable de alimentación y pele el revestimiento exterior de manera que el cable y los filamentos tengan la longitud suficiente para conectarlos al RCBO y al bloque de terminales PE de la estación de recarga. Si es necesario, ponga aislamiento adicional en cada cable.

##### **⚠ PRECAUCIÓN**

Para proteger los circuitos separados de tensión extra baja (SELV), los filamentos con aislamiento simple pelados no deben tocar los componentes de la placa principal. Cuando sea necesario, instale aislamiento doble en los cables individuales, por ejemplo, utilizando tubos termorretráctiles o manguitos aislantes.



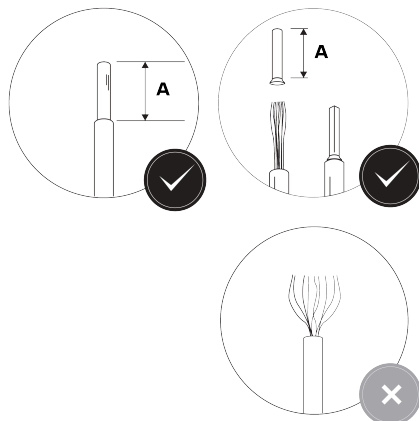
4. Introduzca el cable de alimentación en la estación de recarga utilizando la entrada inferior del cable A o la entrada superior del cable B. Lleve el cable de alimentación hasta los puntos de conexión. Deje una longitud suficiente para pelar y conectar los filamentos.



## 5. Pele los extremos del cable de alimentación:

- Para un RCBO, A = 12 mm
- Para un bloque de terminales, A = 18 mm

Cuando se utilicen cables trenzados, monte los manguitos de los extremos de los filamentos y aplique un engarce cuadrado para lograr un ajuste óptimo en el RCBO y el bloque de terminales.



## 6. Para una estación con un RCBO integrado: conecte el cable de alimentación de la siguiente manera:

**⚠ AVISO**

Una conexión incorrecta de los cables de alimentación puede provocar el riesgo de descarga eléctrica y, por lo tanto, causar daños a la estación de recarga y lesiones o la muerte.

- Asegúrese de que los cables de alimentación estén bien conectados.

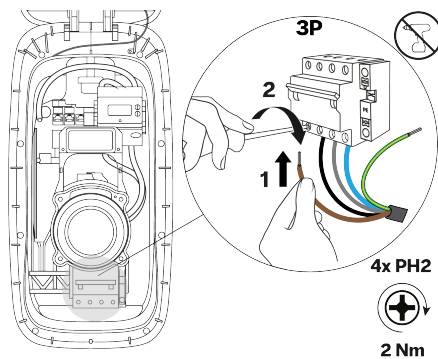
**i Nota**

Conecte los cables de acuerdo con los esquemas de cableado de la fuente de alimentación que se ofrecen en [Requisitos de la fuente de alimentación en la página 153](#).

**i Nota**

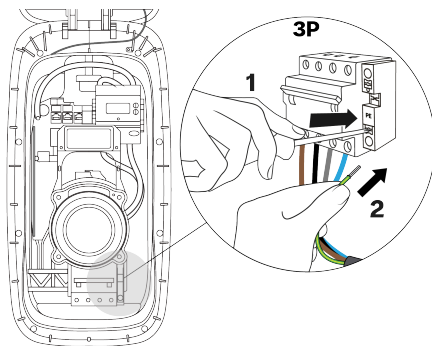
Los RCBO de tipo B se instalan boca abajo en las estaciones de recarga.

- a. Conecte los filamentos del cable de alimentación al RCBO. Apriete los tornillos para asegurar los filamentos.



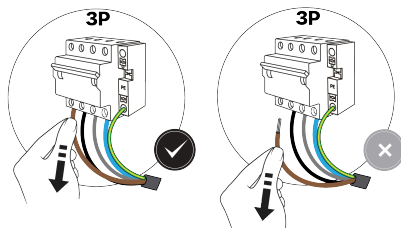
#### 4. Instrucciones de instalación

- b. Conecte el filamento de PE del cable de alimentación al bloque de terminales de PE.



ES

- c. Tire de cada filamento para comprobar si está bien conectado.



7. Para una estación con un bloque de terminales: conecte el cable de alimentación de la siguiente manera:

#### **⚠ AVISO**

Una conexión incorrecta de los cables de alimentación puede provocar el riesgo de descarga eléctrica y, por lo tanto, causar daños a la estación de recarga y lesiones o la muerte.

- Asegúrese de que los cables de alimentación estén bien conectados.

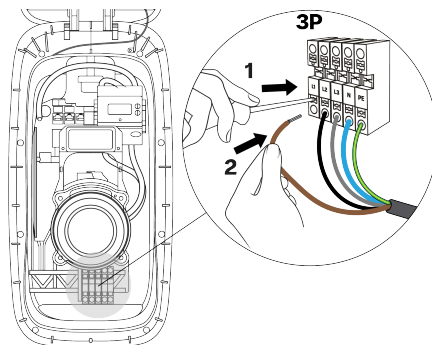
#### **i Nota**

Conecte los cables de acuerdo con los esquemas de cableado de la fuente de alimentación que se ofrecen en [Requisitos de la fuente de alimentación en la página 153](#).

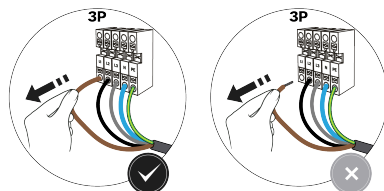
#### **i Nota**

La ilustración muestra una conexión trifásica con neutro.

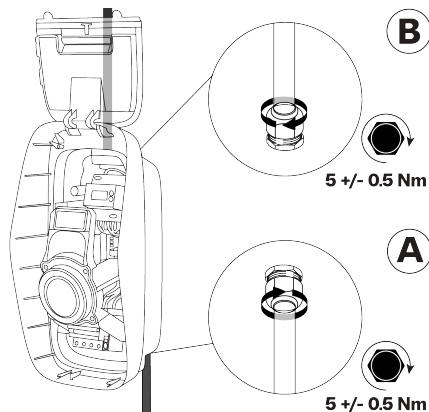
- a. Conecte los filamentos del cable de alimentación al bloque de terminales.



- b. Tire de cada filamento para comprobar si está bien conectado.



8. Apriete el pasamuros para fijar el cable de alimentación y mantener el código IP de la estación de recarga.



## 4.5. Comunicación de la estación de recarga

El cable de comunicación solo puede entrar por el pasamuros izquierdo que hay en la parte inferior de la estación de recarga. Solo pueden entrar cuatro cables de comunicación, como máximo, en la estación de recarga a través del pasamuros.

Para conectar la estación de recarga a Internet, hay tres opciones:

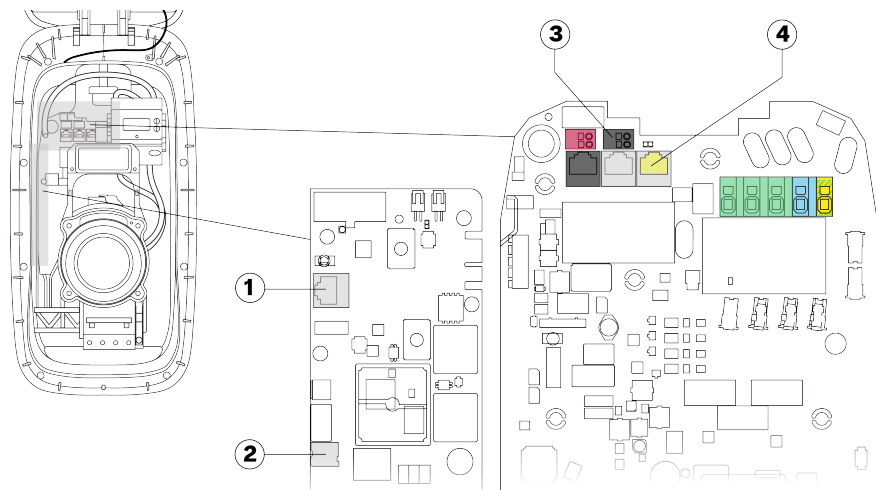
- Ethernet (opción recomendada)
- Wi-Fi (consulte [Configuración en la página 178](#))
- Móvil (tarjeta SIM)

### Componentes y conexiones de comunicación

#### Nota

Las conexiones de comunicación y los componentes utilizados dependen del modelo de la estación de recarga y de la funcionalidad requerida.

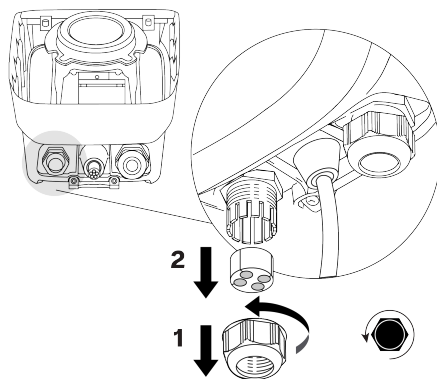




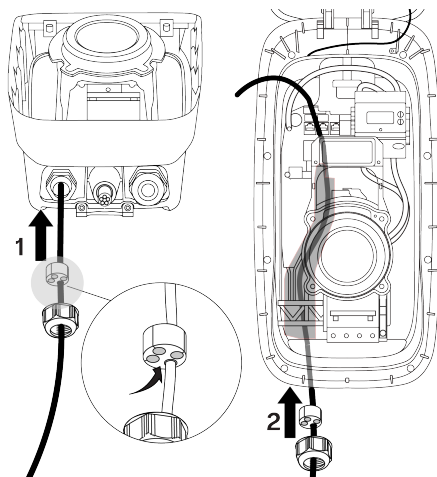
1. Toma Ethernet para la conexión a Internet por cable
2. Ranura para tarjeta Nano SIM para la conexión móvil a Internet
3. Terminales para control de la potencia activa (solo en Alemania)
4. Toma de entrada del TC para equilibrio de recarga dinámica

#### 4.5.1. Tendido de los cables de comunicación

1. Retire la tuerca del pasamuros y la junta del pasamuros izquierdo.



2. Pase los cables de comunicación necesarios a través de la tuerca y la junta del pasamuros y, a continuación, a través del pasamuros izquierdo que hay en la parte inferior de la estación de recarga. Pase los cables a través del conducto hasta la parte superior de la estación de recarga.



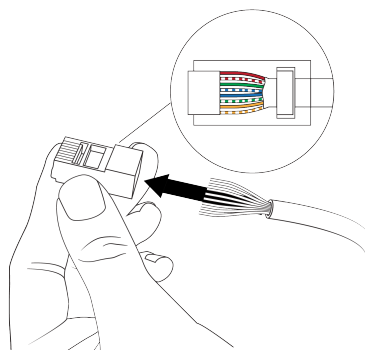
#### 4.5.2. Opcional: conectar el cable Ethernet para Internet

##### **i** Nota

Utilice cualquier cable de red Cat 5 y superior (Cat 5, Cat 5e, Cat 6) con cables de par trenzado.

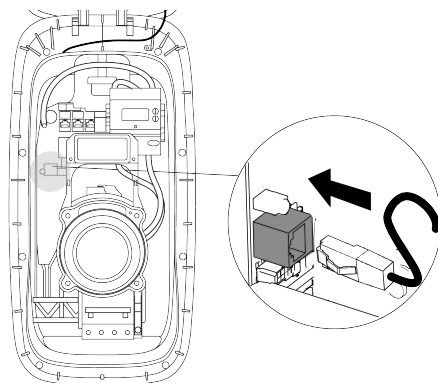
- Se recomienda, pero no es obligatorio, el uso de cable de red blindado.
- Si se utiliza un cable blindado, no conecte a tierra el blindaje.
- Para instalaciones en el exterior, utilice un cable de red resistente a los rayos UV.
- Los cables de red pueden tener un conector RJ45 preinstalado, o el conector RJ45 puede instalarse antes o después de colocar el cable de red en la estación de recarga.

1. Si no hay un conector RJ45 preinstalado, instale uno en el cable de red.



#### 4. Instrucciones de instalación

2. Conecte el conector RJ45 del cable de red a la toma Ethernet de la placa de comunicación.



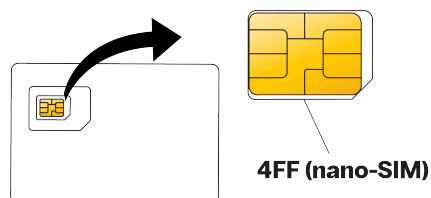
ES

#### 4.5.3. Opcional: instalar la tarjeta SIM para Internet

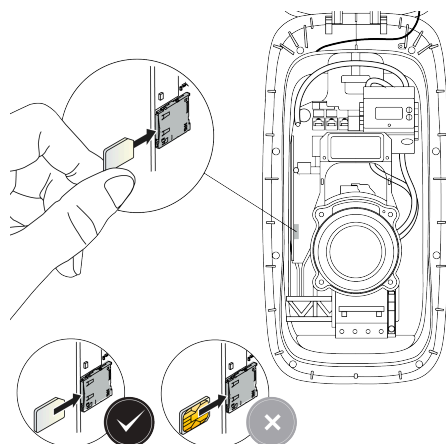
##### Nota

Solo se admiten determinadas tarjetas SIM.

1. Retire la tarjeta SIM 4FF (Nano SIM) de su tarjeta.



2. Empuje y bloquee la tarjeta SIM 4FF (Nano SIM) en la ranura de la placa de comunicación. Los contactos de la tarjeta SIM deben mirar hacia la placa de comunicación.



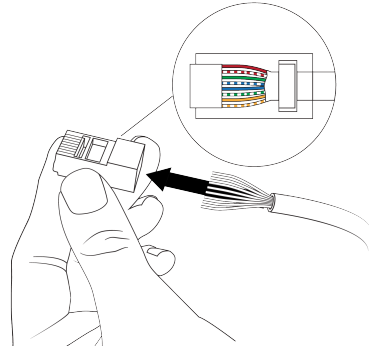
#### 4.5.4. Opcional: conectar el cable del equilibrio de recarga dinámica

##### **i** Nota

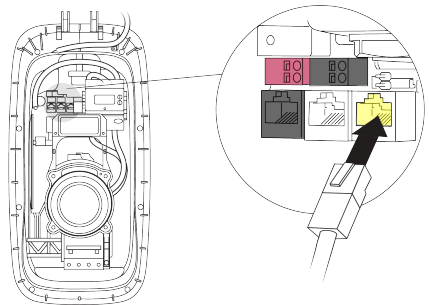
Utilice cualquier cable de red Cat 5 y superior (Cat 5, Cat 5e, Cat 6) con cables de par trenzado.

- Se recomienda, pero no es obligatorio, el uso de cable de red blindado.
- Si se utiliza un cable blindado, no conecte a tierra el blindaje.
- Para instalaciones en el exterior, utilice un cable de red resistente a los rayos UV.
- Los cables de red pueden tener un conector RJ45 preinstalado, o el conector RJ45 puede instalarse antes o después de colocar el cable de red en la estación de recarga.

1. Si no hay un conector RJ45 preinstalado, instale uno en el cable de red.



2. Conecte el conector RJ45 del cable de red a la toma CT IN.



#### 4.5.5. Solo para los países aplicables: conecte el cable de control remoto de la potencia

Los bloques de terminales aceptan un calibre de cable dentro del siguiente rango:

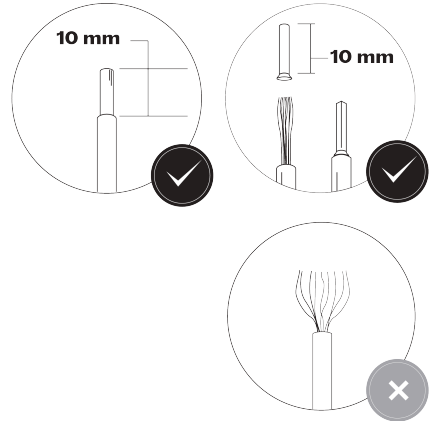
- Cable macizo: máximo 1,5 mm<sup>2</sup>.
- Cable trenzado con férula (sin manguito de plástico): máximo 1,5 mm<sup>2</sup>.

Utilice un cable de doble aislamiento que sea resistente a temperaturas de hasta 90 °C.

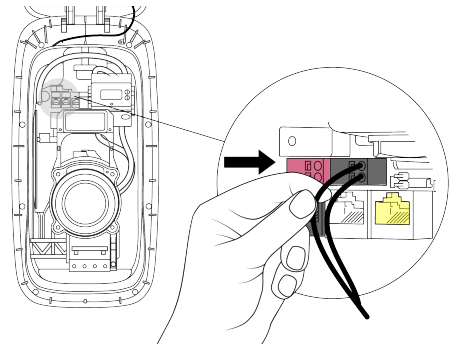
#### 4. Instrucciones de instalación

1. Pele los extremos del cable de control de la potencia activa.

Cuando se utilicen cables trenzados, monte las férulas (sin manguito de plástico) y aplique un engarce cuadrado para lograr un ajuste óptimo en los bloques de terminales.



2. Conecte los cables de control de la potencia activa al bloque de terminales negro (entrada digital 1).



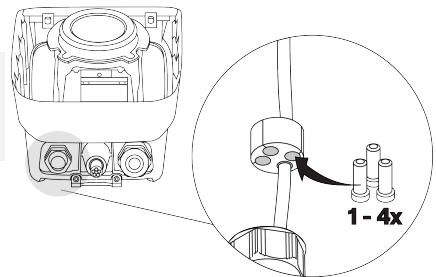
3. Conecte el otro extremo del cable de control de la potencia activa al dispositivo de control del DSO con contactos de apertura normal (NO).

#### 4.5.6. Apriete del pasamuros

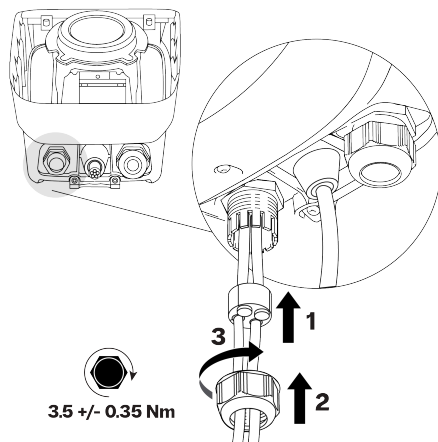
1. Coloque tapones ciegos en las entradas que no se utilicen en la junta del pasamuros.

##### PRECAUCIÓN

Para mantener el código IP de la estación de recarga, asegúrese de colocar tapones ciegos en los puntos de entrada del pasamuros que no se utilicen.



2. Desplace la junta del pasamuros hacia arriba en este y, a continuación, apriete el pasamuros para asegurar los cables de red y los tapones ciegos.

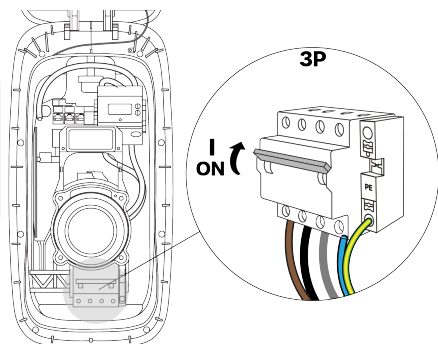


#### 4.6. Instalar las cubiertas de la estación de recarga

1. Para una estación con un RCBO integrado: en la estación de recarga, asegúrese de que el RCBO esté encendido.

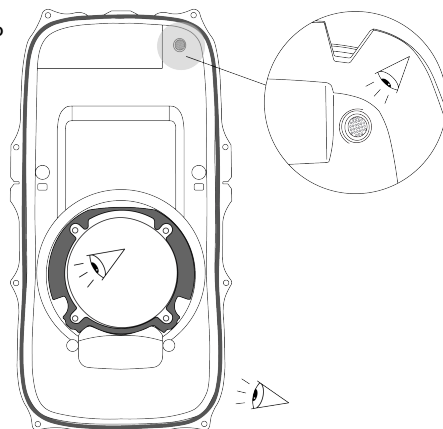
**i Nota**

Los RCBO de tipo B se instalan boca abajo en las estaciones de recarga. Si la estación de recarga tiene un RCBO de tipo B, las direcciones de encendido y apagado están invertidas.



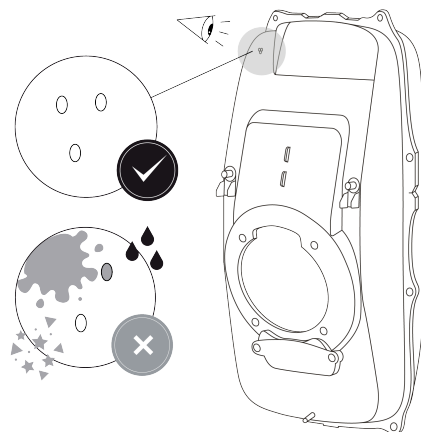
2. Antes de iniciar la instalación, compruebe la cubierta interior del siguiente modo:

- a. En la parte interior, compruebe que la junta de la cubierta interior y la junta central están limpias y no presentan daños. Compruebe que la membrana de ventilación está bien sujeta y no presenta daños.



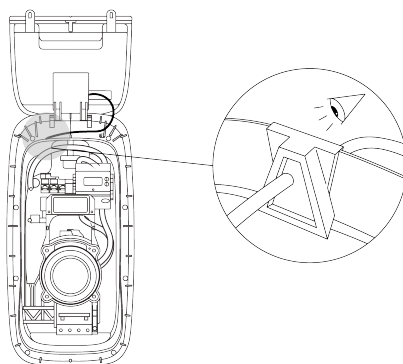
#### 4. Instrucciones de instalación

- b. En la parte exterior, compruebe que los tres orificios de ventilación no están bloqueados por agua, polvo o residuos.

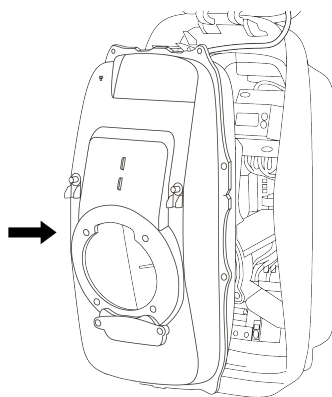


ES

3. En la estación de recarga, compruebe que la junta de paso del cable de la pantalla está montada correctamente.



4. Monte la cubierta interior de la siguiente manera:  
a. Enganche la parte inferior de la cubierta por debajo del orificio central y, a continuación, empuje la parte superior hasta su lugar.



- b. Para fijar la cubierta interior, apriete los 12 tornillos cautivos Torx T20 de seguridad en el orden que se muestra.

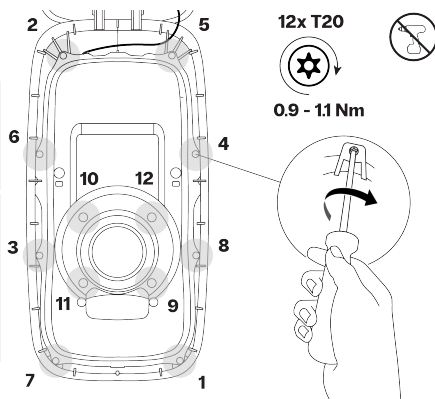
**⚠ PRECAUCIÓN**

Riesgo de entrada de agua. Si no se aprietan los tornillos en el orden correcto, pueden entrar la lluvia y la humedad en la estación de recarga.

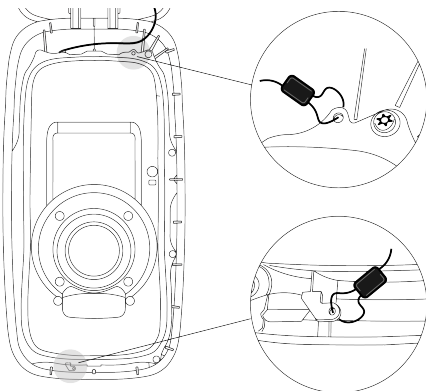
**⚠ PRECAUCIÓN**

El uso de un destornillador eléctrico con un par de apriete elevado puede dañar los tornillos y los componentes.

- Utilice únicamente un destornillador de par de apriete bajo con el ajuste correcto.



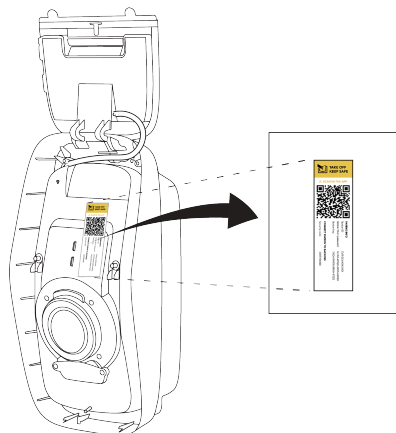
- c. Opcional: instale dos precintos de seguridad en la esquina superior derecha y la esquina inferior izquierda de la cubierta interior.



5. Retire la etiqueta que contiene la información específica de la estación de recarga de la cubierta interior. Guarde la etiqueta adhesiva con la documentación de la estación de recarga. La información de la etiqueta se necesita durante la configuración.

**⚠ PRECAUCIÓN**

Para evitar el acceso no autorizado a la configuración de la estación de recarga, no deje la etiqueta en ella.



6. Monte la cubierta de la pantalla y la cubierta delantera de la siguiente manera:



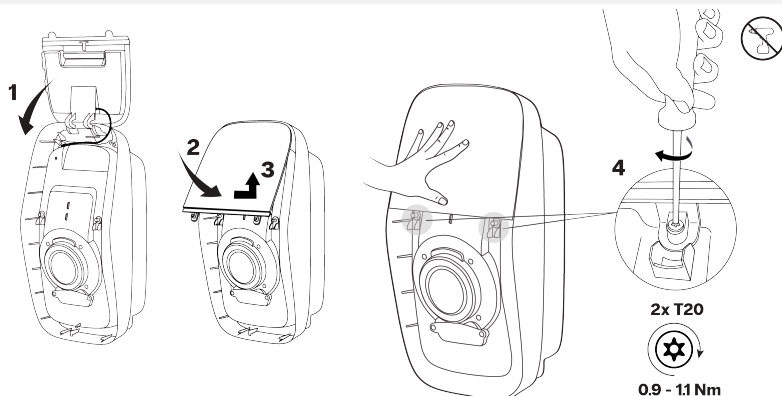
#### 4. Instrucciones de instalación

- a. Cierre la cubierta de la pantalla y manténgala cerrada. Fije la cubierta de la pantalla con los dos tornillos cautivos Torx T20 de seguridad.

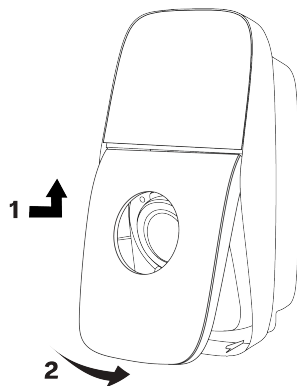
**⚠ PRECAUCIÓN**

El uso de un destornillador eléctrico con un par de apriete elevado puede dañar los tornillos y los componentes.

- Utilice únicamente un destornillador de par de apriete bajo con el ajuste correcto.



- b. Enganche el borde superior de la cubierta delantera por debajo del borde inferior de la cubierta de la pantalla y, a continuación, gírela hacia abajo para alinear el orificio del tornillo inferior.

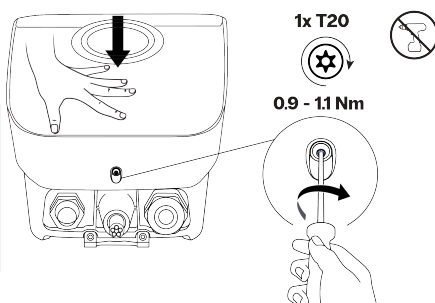


- c. Empuje la cubierta delantera contra el resorte. Apriete el tornillo cautivo Torx T20 de seguridad para fijar la cubierta delantera en la estación de recarga.

**⚠ PRECAUCIÓN**

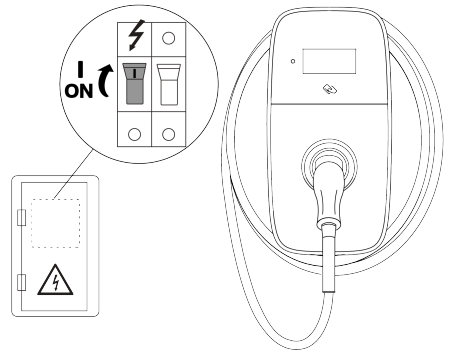
El uso de un destornillador eléctrico con un par de apriete elevado puede dañar los tornillos y los componentes.

- Utilice únicamente un destornillador de par de apriete bajo con el ajuste correcto.



7. Enrolle sin apretar el cable de recarga alrededor de la estación de recarga para guardarlo y coloque el conector de recarga en su soporte.

Conecte la alimentación a la estación de recarga. El anillo LED se muestra girando en blanco para indicar que la estación de recarga se está iniciando.



La estación de recarga ahora está completamente instalada. El anillo LED se muestra en blanco y parpadea dos veces para indicar que se puede iniciar la configuración.

## 4.7. Configuración

Para que funcione la estación de recarga, debe estar conectada a Internet. Una vez conectada, se recomienda activar la estación de recarga en una Plataforma de gestión de recarga (CMP) para beneficiarse al máximo de todas sus funciones y de la asistencia en línea.

Para poder utilizar la estación de recarga, es necesario completar la configuración.

### 4.7.1. Configurar la estación de recarga

#### AVISO

Existe riesgo de descarga eléctrica, lo que puede causar lesiones graves o la muerte. La aplicación EVBox Install para configurar la estación de recarga solo puede ser utilizada por un electricista cualificado.

1. Descargue e instale EVBox Install App en su smartphone o tableta.



2. Abra EVBox Install App y siga las instrucciones que aparecen en la aplicación.

La información específica de la estación de recarga requerida para su configuración se encuentra en la etiqueta que se retira durante la instalación.



## 5. Instrucciones de uso

3. Utilizando EVBox Install App, establezca los siguientes ajustes clave para garantizar que la estación de recarga funcione de manera segura:
  - Corriente de recarga máxima.
  - Conectividad a Internet.
  - Otros ajustes de configuración.

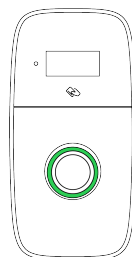
ES

### 4.7.2. Opcional: activar la estación de recarga con la CMP

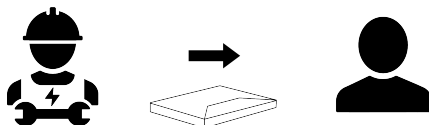
Para una estación de recarga en línea, el usuario debe activar la estación de recarga con la Plataforma de gestión de recarga (CMP), en el sitio web de la CMP, o utilizar la aplicación específica de la CMP. Póngase en contacto con el operador de punto de recarga (CPO) para obtener detalles sobre el procedimiento de activación de la estación de recarga.

### 4.7.3. Lista para su uso

La estación de recarga está lista para la recarga de un VE cuando tiene las cubiertas montadas, se ha completado la puesta en marcha y se muestra el anillo LED en verde fijo.



Entregue toda la documentación al propietario. El propietario debe conservar toda la documentación entregada con la estación de recarga en un lugar seguro durante todo el ciclo de vida del producto.



## 5. Instrucciones de uso

### PELIGRO

Si no se siguen las instrucciones del usuario proporcionadas en este manual, correrá el riesgo de sufrir descargas eléctricas, lo que puede causar lesiones graves o la muerte.

- Lea las medidas de seguridad y las instrucciones del usuario de este manual antes de utilizar la estación de recarga.
- Si no está seguro de cómo utilizar la estación de recarga, póngase en contacto con su distribuidor para obtener más información.

## 5.1. Iniciar y detener una sesión de recarga

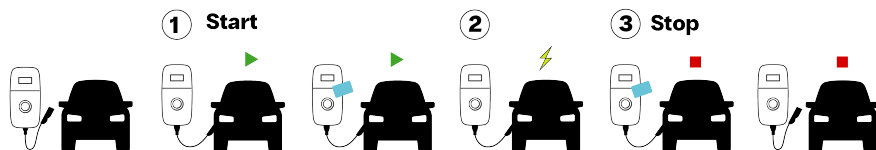
### Nota

Las instrucciones de la sesión de recarga también se muestran en la pantalla.

1. Iniciar la recarga:
  - Retire el conector de la base de la estación y desenrolle completamente el cable de recarga de alrededor de la estación de recarga.
  - Conecte el cable de recarga al vehículo.
  - Si utiliza una tarjeta de recarga o una llave remota, sujétela delante del lector de la estación de recarga para iniciar la recarga.\*
2. El vehículo se está recargando.

## 3. Detener la recarga:

- Si utiliza una tarjeta de recarga o una llave remota\*\*, sujétela delante del lector de la estación de recarga para detener la recarga.\*
- Desconecte el cable de recarga del vehículo.
- Enrolle el cable de recarga alrededor de la estación de recarga y, a continuación, coloque el conector en la base.



\* Si la estación de recarga está configurada para aceptar únicamente tarjetas de recarga o llaves remotas.

\*\* Debe utilizar la misma tarjeta de recarga o llave remota que haya utilizado para iniciar la sesión de recarga.

## 5.2. Indicación de estado




**i** Nota

El estado de la estación de recarga también se muestra en la pantalla.

**i** Nota

Algunas funciones e indicaciones de estado no están disponibles en todos los modelos.

Anillo LED	Color	Descripción del estado
	Blanco (girando)	Se está iniciando la estación de recarga o se está actualizando el software.
	Blanco (parpadeando)	La estación de recarga está esperando la configuración mediante EVBox Install App.
	Verde (fijo)	Inactiva. La estación de recarga está lista para recargar.
	Rojo (fijo)	Autenticación no aceptada. La indicación cambia a verde transcurridos 5 segundos.
	Azul (fijo)	<ul style="list-style-type: none"> <li>• La estación de recarga está esperando el vehículo.</li> <li>• Recarga en pausa.</li> </ul>
	Azul (rellenándose desde abajo)	El vehículo se está recargando.

Anillo LED	Color	Descripción del estado
	Verde (parpadeando)	La sesión de recarga ha finalizado. Puede desconectarse el vehículo de la estación de recarga.
	Naranja (fijo)	La recarga es lenta o se detiene debido a alta temperatura. La recarga se reanudará automáticamente.
	Naranja (parpadeando)	La sesión de recarga ha fallado. Desconecte el vehículo e inténtelo de nuevo.

### 5.3. Mantenimiento por parte del usuario

El usuario de la estación de recarga es responsable del estado de esta, de conformidad con las leyes relativas a la seguridad de las personas, los animales y los bienes inmuebles, y la normativa de instalación vigente en el país donde se vaya a utilizar la estación de recarga. Pida a un electricista cualificado que inspeccione la estación de recarga y su instalación periódicamente y de acuerdo con las normativas de instalación vigentes en su país.

#### PELIGRO

La exposición prolongada de la estación de recarga al agua provocará un riesgo de descarga eléctrica, que puede causar lesiones graves o la muerte.

- No utilice chorros de agua potentes sobre la estación de recarga ni en su interior.
- No introduzca el conector de recarga en ningún líquido.

#### PRECAUCIÓN

No utilice limpiadores químicos o disolventes agresivos para limpiar la estación de recarga.

1. Retire la suciedad y la materia orgánica natural del exterior de la estación de recarga con un paño suave húmedo. Asegúrese de que la pantalla, el anillo LED y el sensor de luz estén limpios.
2. Compruebe visualmente la estación de recarga, el cable de recarga y el conector de recarga. Si sospecha que la estación de recarga, el cable o el conector están dañados o sucios, póngase en contacto con un electricista cualificado para que repare o sustituya los componentes dañados.
3. Tire suavemente de la estación de recarga para asegurarse de que siga bien instalada. Asegúrese de que la cubierta exterior de la estación esté bien sujeta. Si la estación de recarga o la cubierta están sueltas, póngase en contacto con un electricista cualificado para volver a instalar la estación correctamente.

### 5.4. Inicio de sesión de la estación de recarga

Con un smartphone, tableta u ordenador portátil con Wi-Fi, el usuario puede iniciar sesión en la estación de recarga para cambiar ajustes como el Wi-Fi y ver las licencias de software. Para conocer las instrucciones, consulte [help.evbox.com](http://help.evbox.com).



## 6. Resolución de problemas

### PELIGRO

El mantenimiento y la reparación de la estación de recarga por parte de una persona no cualificada provocará el riesgo de descarga eléctrica, lo que causará lesiones graves o la muerte.

- El mantenimiento o la reparación de la estación de recarga solo pueden ser realizados por un electricista cualificado.
- El usuario no debe realizar ningún tipo de mantenimiento o reparación de la estación de recarga, ya que no contiene piezas que el usuario pueda reparar.

### 6.1. Indicación de error

Anillo LED	Color	Descripción del estado	Acción
	Rojo (fijo)	Se ha producido un error.	Siga las instrucciones que se muestran en la pantalla.
	Apagado	La fuente de alimentación ha fallado.	Compruebe la fuente de alimentación de la estación. Reinicie el MCB o el RCD en el armario de la fuente de alimentación. Para una estación con un RCBO integrado, compruebe si este está abierto (consulte <a href="#">Acceso al RCBO en la página 182</a> ).

### Nota

Algunos estados de error se solucionan desconectando y volviendo a conectar la alimentación.

- En las estaciones sin RCBO integrado, desconecte y vuelva a conectar la alimentación en el armario.
- En las estaciones con un RCBO integrado, desconecte y vuelva a conectar utilizando el RCBO (véase [Acceso al RCBO en la página 182](#)).

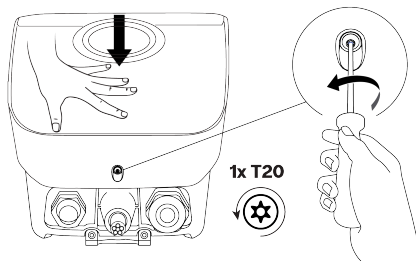
### 6.2. Acceso al RCBO

Este procedimiento solo es aplicable a las estaciones de recarga que tienen un RCBO integrado. Se puede acceder al RCBO a través de la cubierta de acceso situada en la cubierta interior. Antes de iniciar este procedimiento, asegúrese de que la estación de recarga recibe alimentación eléctrica.

### Nota

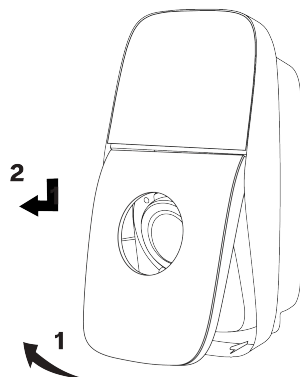
Todos los tornillos Torx T20 de seguridad son tornillos cautivos. No retire completamente los tornillos cautivos de la estación de recarga.

1. Si hay un vehículo eléctrico conectado a la estación de recarga, desconéctelo.
2. Empuje la cubierta delantera contra el resorte y, a continuación, afloje un tornillo Torx T20 de seguridad que fija la cubierta delantera en la estación de recarga.

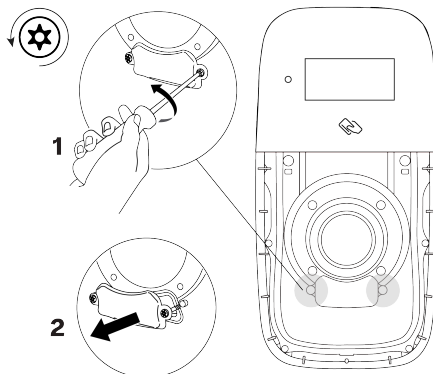


## 6. Resolución de problemas

3. Gire la cubierta delantera hacia arriba y, a continuación, desenganche el borde superior de debajo del borde inferior de la cubierta de la pantalla.



4. Afloje los dos tornillos cautivos Torx T20 de seguridad. 2x T20  
Retire la cubierta del RCBO de la cubierta interior.



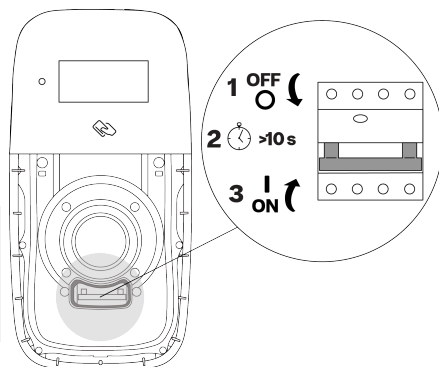
5. Para apagar y volver a encender la estación de recarga, apague el RCBO, espere 10 segundos y vuelva a encenderlo.

El anillo LED se muestra girando en blanco para indicar que la estación de recarga se está iniciando. La estación de recarga está lista para recargar un vehículo eléctrico cuando el anillo LED se ilumina en verde fijo.



### Nota

Los RCBO de tipo B se instalan boca abajo en las estaciones de recarga. Si la estación de recarga tiene un RCBO de tipo B, las direcciones de encendido y apagado están invertidas.



6. En caso de que el RCBO esté abierto, mueva el interruptor RCBO hacia abajo.

El anillo LED se muestra girando en blanco para indicar que la estación de recarga se está iniciando. La estación de recarga está lista para recargar un vehículo eléctrico cuando el anillo LED se ilumina en verde fijo.



**Nota**

Los RCBO de tipo B se instalan boca abajo en las estaciones de recarga. Si la estación de recarga tiene un RCBO de tipo B, las direcciones de encendido y apagado están invertidas.

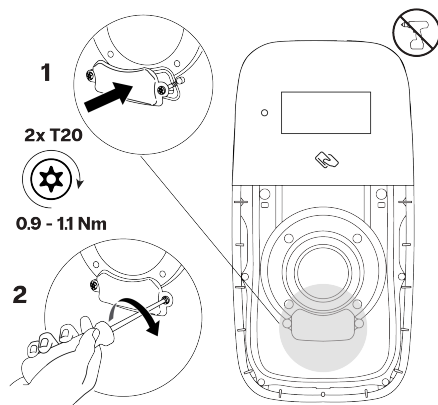
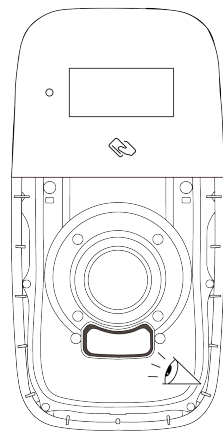
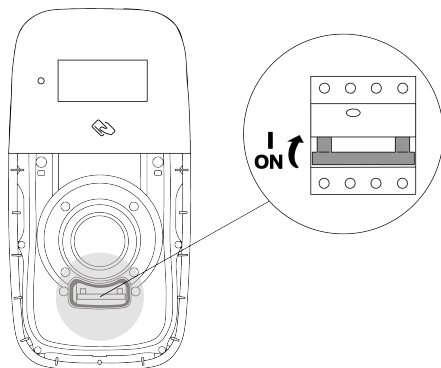
7. Compruebe que la junta de la cubierta interior está limpia y no presenta daños.

8. Monte la cubierta del RCBO en la cubierta interior. Apriete los dos tornillos cautivos Torx T20 de seguridad.

**⚠ PRECAUCIÓN**

El uso de un destornillador eléctrico con un par de apriete elevado puede dañar los tornillos y los componentes.

- Utilice únicamente un destornillador de par de apriete bajo con el ajuste correcto.

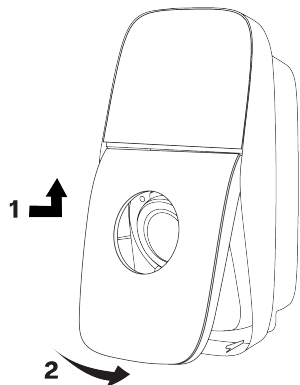


9. Monte la cubierta delantera de la siguiente manera:



## 7. Desmontaje

- a. Enganche el borde superior de la cubierta delantera por debajo del borde inferior de la cubierta de la pantalla y, a continuación, gírela hacia abajo para alinear el orificio del tornillo inferior.

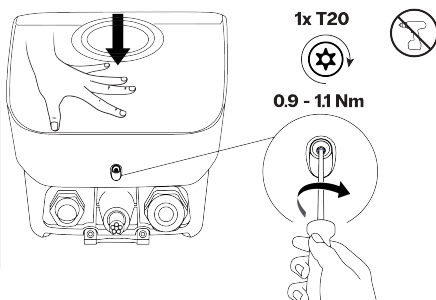


- b. Empuje la cubierta delantera contra el resorte. Apriete el tornillo cautivo Torx T20 de seguridad para fijar la cubierta delantera en la estación de recarga.

### PRECAUCIÓN



El uso de un destornillador eléctrico con un par de apriete elevado puede dañar los tornillos y los componentes.

- Utilice únicamente un destornillador de par de apriete bajo con el ajuste correcto.



## 7. Desmontaje

Desmunte y recicle la estación de recarga de acuerdo con las normativas locales de eliminación vigentes.

	No elimine esta estación de recarga con la basura doméstica. Esta estación de recarga se debe depositar en un punto local de recogida de dispositivos eléctricos/electrónicos para que pueda ser reciclada y evitar así un impacto negativo y peligroso en el medioambiente. Solicite las direcciones respectivas a las autoridades locales o de su ciudad.
	El reciclado de materiales permite ahorrar materias primas y energía y contribuye en gran medida a la conservación del medioambiente.



Points de collecte sur [www.quefairedemesdechets.fr](http://www.quefairedemesdechets.fr)  
Privilégiez la réparation ou le don de votre appareil !

## 8. Apéndice

### 8.1. Glosario

Abreviatura	Definición
1F	Fuente de alimentación monofásica (entrada y salida). La calificación de la estación se muestra en la parte inferior de esta.
3F	Fuente de alimentación trifásica (entrada y salida). La calificación de la estación se muestra en la parte inferior de esta.

Abreviatura	Definición
CA	Corriente alterna.
CMP	Plataforma de gestión de recarga (CMP). Es la plataforma backend que vincula una estación de recarga al CPO.
CPO	Operador de punto de recarga. Es el operador o el propietario de la instalación de la estación de recarga.
DSO	Operador del sistema de distribución. El operador responsable de la red de suministro eléctrico.
ESD	Descarga electrostática.
VE	Vehículo eléctrico.
IK	Protección contra impactos.
IP	Protección contra penetración.
RF	Comunicación por radiofrecuencia.
LAN	Red de área local.
LED	Diodo emisor de luz.
MCB	Minidisyuntor.
OCPP	Protocolo abierto de punto de recarga.
PE	Toma de tierra o masa de protección.
RCBO	Disyuntor de corriente residual con sobrecorriente.
RCD	Dispositivo de corriente residual.

## 8.2. Declaración de conformidad de la UE

EVBox B.V. declara que el tipo de equipo de radio EVBox Liviqo cumple con la Directiva 2014/53/UE. El texto completo de la Declaración de conformidad de la UE está disponible en [help.evbox.com](http://help.evbox.com).

### Información sobre normativas

Tecnología	Bandas de frecuencia	Potencia de salida máx.
GSM 900	890 MHz - 915 MHz	27,77 dBm
GSM 1800	1710 MHz - 1785 MHz	24,77 dBm
LTE banda 3	1710 MHz - 1785 MHz	28,48 dBm
LTE banda 8	880 MHz - 915 MHz	28,48 dBm
LTE banda 20	832 MHz - 862 MHz	28,48 dBm
LTE banda 28	703 MHz - 748 MHz	28,48 dBm
WLAN (802.11b/g/n)	2412 MHz - 2484 MHz	16,79 dBm
WLAN (802.11a/n/ac)	5150 MHz - 5250 MHz	16,63 dBm
WLAN (802.11a/n/ac)	5725 MHz - 5850 MHz	11,46 dBm
RFID	13,56 MHz	19,00 dBm

# EVBox Liviqo

## Cable



# Table des matières

1. Introduction	191
1.1. Portée du manuel	191
1.2. Symboles utilisés dans ce manuel	191
1.3. Icônes utilisées dans ce manuel	191
1.4. Certification et conformité	192
2. Sécurité	192
2.1. Mesures de sécurité	192
2.2. Précautions pour le déplacement et l'entreposage	194
3. Caractéristiques du produit	195
3.1. Description	195
3.2. Fiche technique	195
3.3. Composants fournis	197
4. Instructions d'installation	197
4.1. Préparation en vue de l'installation	197
4.1.1. Plan en vue de l'installation	197
4.1.2. Outils requis	199
4.1.3. Normes de l'alimentation électrique	199
4.1.4. Optionnel : équilibrage de charge dynamique	202
4.1.5. Optionnel : équilibrage de charge de groupe	202
4.1.6. Uniquement pour les pays applicables : contrôle de l'alimentation à distance par DSO	204
4.2. Déballage	204
4.3. Installer le support mural et la borne de recharge	206
4.4. Connecter le câble d'alimentation	208
4.5. Communication de la borne de recharge	214
4.5.1. Acheminer les câbles de communication	215
4.5.2. Optionnel : connectez le câble Ethernet pour internet	216
4.5.3. Optionnel : installer la carte SIM pour internet	217
4.5.4. Optionnel : connectez le câble d'équilibrage de charge dynamique	218
4.5.5. Uniquement pour les pays applicables : Connectez le câble de contrôle de l'alimentation à distance	218
4.5.6. Serrez le presse-étoupe	219
4.6. Installez les coques de la borne de recharge	220
4.7. Configuration	224
4.7.1. Configurez la borne de recharge.	224
4.7.2. Optionnel : activez la borne de recharge au CMP	225
4.7.3. Prêt à l'emploi	225
5. Instructions d'utilisateur	225
5.1. Commencez et arrêtez la session de recharge	225
5.2. Indication de l'état	226
5.3. Maintenance par l'utilisateur	227
5.4. Connectez-vous à la borne de recharge	227
6. Dépannage	228
6.1. Indication d'erreur	228
6.2. Accéder au RCBO	228
7. Mise hors service	231
8. Annexe	231

8.1. Glossaire  
8.2. Déclaration de conformité de l'UE

231  
232

# 1. Introduction

Ce manuel d'installation et d'utilisateur vous explique comment installer la borne de recharge et la rendre prête à l'emploi. Veuillez lire attentivement les consignes de sécurité avant de commencer.

## 1.1. Portée du manuel

Les instructions d'installation et de configuration contenues dans ce manuel sont destinées aux installateurs qualifiés qui peuvent évaluer le travail et identifier les dangers potentiels.

Les instructions d'utilisation sont destinées aux utilisateurs de la borne de recharge.

Conservez toute la documentation fournie avec la borne de recharge dans un endroit sûr pour toute la vie utile du produit. Transmettez tous les documents à tous les propriétaires ou utilisateurs successifs du produit.

Tous les manuels EVBox peuvent être téléchargés sur [evbox.com/manuals](https://evbox.com/manuals).

### Clause de non-responsabilité

Ce document est rédigé à titre d'information uniquement et ne constitue pas une offre ou un contrat contraignant avec EVBox. EVBox a composé ce document au mieux de sa connaissance. Aucune garantie expresse ou implicite n'est donnée concernant l'exhaustivité, l'exactitude, la fiabilité ou la pertinence à des fins spécifiques de ses contenus et des produits et services qu'il contient. Les spécifications et données de performance contiennent des valeurs moyennes dans la fourchette des tolérances de spécifications existantes et peuvent être modifiées sans notification préalable. EVBox décline expressément toute responsabilité pour tout dommage direct ou indirect, au sens le plus large, découlant de ou relatif à l'utilisation ou l'interprétation de ce document.

© EVBox. Tous droits réservés. Le nom EVBox et le logo EVBox sont des marques déposées d'EVBox B.V ou de l'une de ses filiales. Aucune partie de ce document ne peut être modifiée, reproduite, traitée ou distribuée sous quelque forme ou par quelque moyen que ce soit, sans l'autorisation écrite préalable d'EVBox.

EVBox Manufacturing B.V.

Kabelweg 47

1014 BA Amsterdam

Les Pays-Bas

[help.evbox.com](https://help.evbox.com)

## 1.2. Symboles utilisés dans ce manuel

### Symboles utilisés dans ce manuel

#### DANGER

Indique une situation dangereuse imminente à risque élevé qui, si elle n'est pas évitée, entraînera la mort ou des blessures graves.

#### AVERTISSEMENT

Indique une situation potentiellement dangereuse à risque modéré qui, si l'avertissement n'est pas respecté, peut entraîner la mort ou des blessures graves.

#### ATTENTION

Indique une situation potentiellement dangereuse à risque moyen qui, si la mise en garde n'est pas respectée, peut entraîner des blessures mineures ou modérées, ou des dégâts matériels.

#### Remarque

Les remarques contiennent des suggestions utiles ou des références à des informations n'étant pas contenues dans le présent manuel.

1., a. ou i. Action à suivre dans l'ordre indiqué.

## 1.3. Icônes utilisées dans ce manuel



Choisir une caractéristique



Installateur



Utilisateur



Vérifier à vue d'œil

Utiliser  
uniquement dans  
un emplacement  
secNe pas utiliser de  
tournevis  
électriqueAlimentation  
électrique CA

FR

## 1.4. Certification et conformité

	La borne de recharge a été certifiée CE par le fabricant et porte le logo CE. La déclaration de conformité correspondante peut être obtenue auprès du fabricant.
	Les équipements électriques et électroniques, ainsi que les accessoires, doivent être mis au rebut séparément des ordures ménagères.
	Le recyclage des matériaux permet de réutiliser des matières premières, conserve de l'énergie et contribue considérablement à protéger l'environnement.



FR

Cet appareil  
et ses accessoires  
se recyclentÀ DÉPOSER  
EN MAGASINÀ DÉPOSER  
EN DÉCHÈTERIE

OU

Points de collecte sur [www.quefairedemesdechets.fr](http://www.quefairedemesdechets.fr)  
Privilégiez la réparation ou le don de votre appareil !

### Remarque

Voir [Déclaration de conformité de l'UE à la page 232](#) pour la Déclaration de conformité pour ce produit.

## 2. Sécurité

### 2.1. Mesures de sécurité

#### DANGER

Les utilisateurs ne respectant pas les instructions d'installation et d'utilisation contenues dans le présent manuel s'exposent à un risque de choc électrique, qui entraînera des blessures graves, voire la mort.

- Lisez ce manuel avant toute installation ou utilisation de la borne de recharge.

#### DANGER

L'installation, l'entretien, la réparation et le déplacement de la borne de recharge par une personne non qualifiée impliquent un risque de choc électrique, qui entraînera des blessures graves, voire la mort.

- Seul un électricien qualifié est autorisé à installer, entretenir, réparer et réinstaller la borne de recharge.
- L'utilisateur ne doit pas essayer de réaliser l'entretien ou de réparer la borne de recharge, car elle contient des pièces ne pouvant pas être réparées par l'utilisateur.
- Des réglementations locales peuvent être applicables et varier en fonction de votre région ou pays d'utilisation. L'électricien qualifié doit toujours s'assurer que la borne de recharge est installée conformément aux réglementations locales.

#### DANGER

Toute intervention réalisée sur des installations électriques sans précautions adéquates entraînera un risque de choc électrique, qui provoquera des blessures graves, voire la mort.

- Coupez l'alimentation avant d'installer la borne de recharge.
- N'allumez pas la borne de recharge si elle n'est pas complètement installée ni fixée.
- N'installez pas de borne de recharge défectueuse ou ayant un problème notable.

#### DANGER

Si la borne de recharge est exposée de manière prolongée à l'eau, il existe un risque de choc électrique, qui entraînera des blessures graves, voire la mort.

- Ne nettoyez jamais la borne de recharge avec un jet d'eau sous pression.
- Ne plongez pas le pistolet de recharge dans du liquide.



### DANGER

L'utilisation de la borne de recharge lorsqu'elle est endommagée ou usée entraînera un risque de choc électrique, ce qui entraînera des blessures graves ou la mort.

- Ne faites pas fonctionner la borne de recharge si l'alimentation électrique, le boîtier ou un connecteur EV sont cassés, fissurés, ouverts, ou présentent d'autres signes d'endommagement.
- Ne faites pas fonctionner la borne de recharge si un câble de recharge est effiloché, que sa gaine est cassée, ou qu'il présente d'autres signes d'endommagement.
- En cas de danger et/ou d'accident, l'alimentation électrique de la borne de recharge doit être déconnectée immédiatement.
- Veuillez contacter votre installateur si vous soupçonnez que la borne de recharge est endommagée.

### AVERTISSEMENT

L'installation de la borne de recharge dans des conditions environnementales humides (par exemple, en cas de pluie ou de brouillard) peut entraîner un risque de choc électrique et endommager le produit, ce qui peut provoquer des blessures graves, voire la mort.

- N'installez ni n'ouvrez la borne de recharge lorsque les conditions environnementales sont humides (par exemple, en cas de pluie ou de brouillard).

### AVERTISSEMENT

L'utilisation incorrecte de la borne de recharge entraînera un risque de choc électrique, qui peut provoquer des blessures ou la mort.

- Assurez-vous que la zone de contact du pistolet de recharge est exempte d'impuretés et d'humidité avant de commencer une séance de recharge.
- Assurez-vous que le câble de recharge est positionné de manière à ce que personne ne puisse marcher, trébucher ou rouler dessus et qu'il ne soit pas endommagé ou qu'il ne subisse pas d'application de force excessive. Le cas échéant, assurez-vous que le câble de recharge est correctement rangé lorsqu'il n'est pas utilisé, en vous assurant que le pistolet de recharge ne touche pas le sol.
- Ne tirez le pistolet de recharge que par la poignée et jamais par le câble de recharge.
- Maintenez la borne de recharge, le câble de recharge et le pistolet de recharge à l'abri de la chaleur, de la saleté et de l'eau.
- N'utilisez pas de substances explosives ou inflammables à proximité de la borne de recharge.

### AVERTISSEMENT

L'utilisation d'adaptateurs, d'adaptateurs de conversion ou de rallonges électriques avec la borne de recharge peut entraîner des incompatibilités techniques et peut endommager la borne de recharge, ce qui peut provoquer des blessures, voire la mort.

- Utilisez cette borne de recharge pour recharger exclusivement des véhicules électriques compatibles. Référez-vous aux spécifications de la borne de recharge contenues dans le manuel d'installation de la borne de recharge pour plus de détails.
- Consultez le manuel de l'utilisateur de votre véhicule pour vérifier s'il est compatible.

### AVERTISSEMENT

L'exposition de la borne de recharge ou du câble de recharge à la chaleur ou à des substances inflammables peut endommager la borne de recharge, ce qui peut entraîner des blessures, voire la mort.

- Assurez-vous que la borne de recharge et le câble de recharge n'entrent jamais en contact avec de la chaleur.
- N'utilisez pas de substances explosives ou inflammables à proximité de la borne de recharge.

### AVERTISSEMENT

Si la borne de recharge est utilisée dans des conditions n'étant pas indiquées dans le présent manuel, la borne de recharge peut être endommagée et entraîner des blessures, voire la mort.

- N'utilisez la borne de recharge que dans les conditions de fonctionnement indiquées dans le présent manuel.

**⚠ AVERTISSEMENT**

Travailler sur des installations électriques sans équipement de protection individuelle peut entraîner des risques de blessures.

- Utilisez des équipements de protection individuelle, comme une protection oculaire, des gants résistants aux coupures et des chaussures de sécurité antidérapantes pour éviter les blessures personnelles.

**⚠ AVERTISSEMENT**

En cas d'incendie, le non-respect des instructions de lutte contre l'incendie peut entraîner un danger accru pouvant entraîner des blessures ou la mort.

- Lorsque vous pouvez le faire sans danger, débranchez l'alimentation électrique de l'équipement qui brûle ou qui est menacé par le feu.
- N'utilisez pas d'eau pour éteindre les flammes des installations électriques et des dispositifs sous tension.
- Pour éteindre les flammes d'une borne de recharge, utilisez un extincteur qui est conçu pour être utilisé sur un dispositif électrique ayant un indice allant jusqu'à 1 kV.

**⚠ ATTENTION**

Si le câble de recharge n'est pas complètement déroulé pendant la recharge d'un véhicule, il peut surchauffer et peut endommager la borne de recharge.

- Avant de connecter le câble de recharge au véhicule, déroulez complètement le câble de recharge afin qu'il n'y ait pas de boucles qui se chevauchent.

**⚠ ATTENTION**

L'introduction de doigts ou d'autres objets dans le port de branchement du pistolet (par exemple, pendant le nettoyage) peut provoquer des blessures ou peut endommager la borne de recharge.

- Ne mettez pas vos doigts dans le port de branchement du pistolet.
- Ne laissez pas d'objets dans le port de branchement du pistolet.

**⚠ ATTENTION**

Les composants électroniques de la borne de recharge peuvent être endommagés si des précautions ne sont pas prises contre les décharges électrostatiques (ESD).

- Prenez les précautions nécessaires contre ces décharges avant de toucher les composants électroniques.

**⚠ ATTENTION**

Si vous n'activez pas les mises à jour du micrologiciel de cette borne de recharge, ou si vous désactivez, refusez ou n'installez pas les mises à jour du micrologiciel disponibles, la borne de recharge peut rencontrer des problèmes, fonctionner avec des erreurs et être plus sujette à des risques de sécurité.

## 2.2. Précautions pour le déplacement et l'entreposage

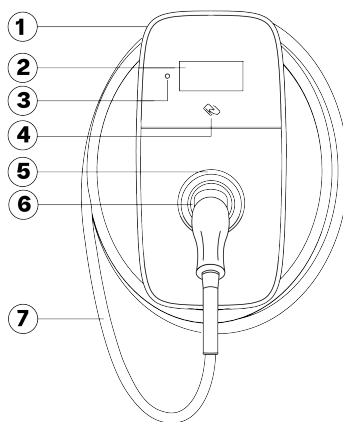
Suivez les directives ci-après pour déplacer et entreposer la borne de recharge :

- Ne jamais lever la borne de recharge en utilisant son câble de recharge.
- Coupez l'alimentation électrique avant de retirer la borne de recharge pour l'entreposer ou la déplacer.
- Transportez et entreposez la borne de recharge uniquement dans son emballage d'origine. Nous déclinons toute responsabilité en cas de dommages pouvant survenir alors que le produit n'est pas transporté dans un emballage standard.
- Entreposez la borne de recharge dans un environnement sec, dans les plages de température et d'humidité indiquées dans les caractéristiques techniques (see [Fiche technique à la page 195](#)).

## 3. Caractéristiques du produit

### 3.1. Description

1. **Borne de recharge**  
La borne de recharge alimente en toute sécurité le véhicule électrique (VE) en électricité à partir du réseau.
2. **Affichage**  
L'affichage guide l'utilisateur à travers les actions requises et affiche des informations sur la session de recharge.
3. **Capteur de lumière et capteur de proximité**  
Le capteur de lumière mesure l'intensité de lumière afin d'ajuster automatiquement la luminosité de l'affichage et de l'anneau LED. Le capteur de proximité allume l'affichage lorsqu'une personne se trouve à proximité de la borne de recharge.
4. **Lecteur RFID**  
C'est la zone où vous scannez votre carte de recharge ou votre porte-clés pour lancer ou arrêter une session de recharge.
5. **Anneau LED**  
L'anneau LED indique le statut de la borne de recharge.
6. **Station d'accueil**  
La station d'accueil maintient le pistolet du câble de recharge lorsque ce dernier n'est pas en cours d'utilisation.
7. **Câble de recharge**  
Le câble de recharge connecte la borne de recharge au VE. Le câble de recharge est rangé autour de la borne lorsqu'il n'est pas en cours d'utilisation.



### 3.2. Fiche technique

Caractéristique	Description
<b>Propriétés électriques</b>	
Indice de chargement maximum	Jusqu'à 22 kW (triphase, 32 A) <b>Remarque</b> Un déclassement peut se produire. Le taux de charge dépend de facteurs tels que la demande du VE, l'alimentation électrique disponible et la température ambiante.
Mode de recharge	Mode 3 (IEC 61851-1)
Câble de recharge fixe	Fiche de type 2 (IEC 62196-1, IEC 62196-2)
Longueur du câble de recharge	6 m
Compteur de kWh	Homologué MID avec une précision de classe B (EN-50470) Compteur conforme Eichrecht <sup>(1)</sup>

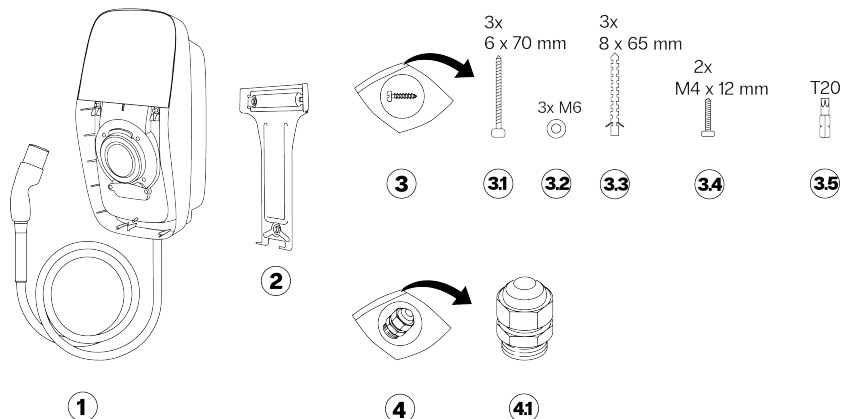
Caractéristique	Description
Capacité d'entrée	6 – 32 A configurable Monophasé, 230 V ± 10 %, maximum 32 A ± 6 %, 50/60 Hz Triphasé, 400 V ± 10 %, maximum 32 A ± 6 %, 50/60 Hz
Diamètre de gaine de câble d'alimentation	12 à 25 mm
Calibre du câble d'alimentation	Fil plein : maximum 16 mm <sup>2</sup> Toron avec bague (sans manchon en plastique) : maximum 10 mm <sup>2</sup>
Tension nominale de tenue aux chocs (U <sub>imp</sub> )	4 000 V
Tension d'isolation nominale (U <sub>i</sub> )	250 V CA (phase-terre) 450 V CA (phase-phase)
Détection de courant de fuite	Les temps et limites de déclenchement sont conformes à la norme CEI 61851-1:2017 Cl. 8.5. (conformément à CEI 62955:2018 Tableau 2). Voir <a href="#">Normes de l'alimentation électrique à la page 199</a> . RCBO : type A ou type B
<b>Type d'environnement et de sécurité</b>	
Plage de température de fonctionnement	De -30 °C à +50 °C
Plage de température de stockage	De -40 °C à +80 °C
Humidité (sans condensation)	De 5 % à 95 %
Altitude d'installation maximale	2000 m au-dessus du niveau de la mer
Codes de protection	IP55 (IEC 60529), IK10 (IEC 62262)
Type de sécurité	Classe de sécurité I et surtension Catégorie III
Degré de pollution du macro-environnement	Degré 3 de pollution
Classification de compatibilité électromagnétique (EMC)	Environnement A et environnement B (conformément à IEC 61439-1)
Résistance mécanique pour l'ensemble stationnaire	Haute résistance
<b>Connectivité</b>	
Autorisation	Lecteur RFID ou en utilisant une application
Wi-Fi	2,4/5 GHz
Réseau de zone locale	Ethernet
Communication cellulaire	4G LTE-M (fallback 2G pris en charge)
Protocole de communication	OCPP 2.0.1
Fonctions de charge intelligentes	Équilibrage de charge dynamique, équilibrage de charge en groupe, conforme à EEBus, ISO 15118 (prêt pour le matériel)
<b>Propriétés physiques</b>	
Dimensions (L x H x P)	256 x 508 x 211 mm
Poids	Environ 8,4 kg
Matériau du boîtier	Makrolon RE® à faible teneur en carbone
HMI	5" 800 x 480 WVGA IPS LCD, Anneau LED, Buzzer, Autorisation
<b>Certification et conformité</b>	
Entrée d'alimentation électrique	Équipement d'alimentation des VE connecté en permanence au réseau d'alimentation en courant alternatif
Sortie d'alimentation électrique	Équipement d'alimentation des VE en CA

Caractéristique	Description
Conditions environnementales normales	Utilisation interne et externe
Accès	Équipement pour emplacements avec accès non restreint
Type d'équipement	Équipement stationnaire, mural ou sur poteau

<sup>(1)</sup>Optionnel.

### 3.3. Composants fournis

#### Composants dans la boîte de borne de recharge



1 Borne de recharge avec câble de recharge

2 Support mural

3 Kit d'installation

3.1 Vis de panneau, 6x70 mm, T20, 3x

3.2 Rondelles, M6, 3x

3.3 Prises murales, 8 x 65 mm, 3x

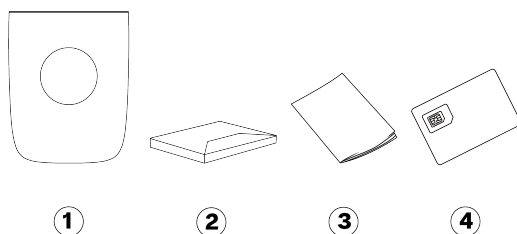
3.4 Vis, M4x12 mm, T20, 2x.

3.5 Embout Torx, sécurité T20

4 Kit de presse-étoupe

4.1 Presse-étoupe, de 12 à 20 mm, avec joint et bouchon d'obturation

#### Composants dans la boîte de coque



1 Coque avant

2 Pack de bienvenue (optionnel)

3 Manuel d'installation et d'utilisateur

4 Carte SIM (optionnelle)

## 4. Instructions d'installation

### 4.1. Préparation en vue de l'installation

#### 4.1.1. Plan en vue de l'installation

Les recommandations suivantes vous aident à planifier l'installation de la borne de recharge.

## Choix de l'emplacement

- Dans la mesure du possible, placez la borne de recharge dans un emplacement où elle ne sera pas exposée à un ensoleillement direct ni susceptible de subir des dommages externes.
- Le mur doit avoir une structure plate et pouvoir supporter une charge d'au moins 100 kg.
- L'espace vide minimum autour de la borne de recharge est de 300 mm.
- L'emplacement ne doit pas entraîner de courbures brusques du câble de recharge.
- Le câble d'alimentation peut entrer dans la borne de recharge par le haut ou par le bas. L'entrée de câble inférieure A peut être utilisée dans n'importe quel emplacement. L'entrée de câble supérieure B peut uniquement être utilisée dans un emplacement où il n'y a pas de risque d'exposition à la pluie ou à l'humidité.

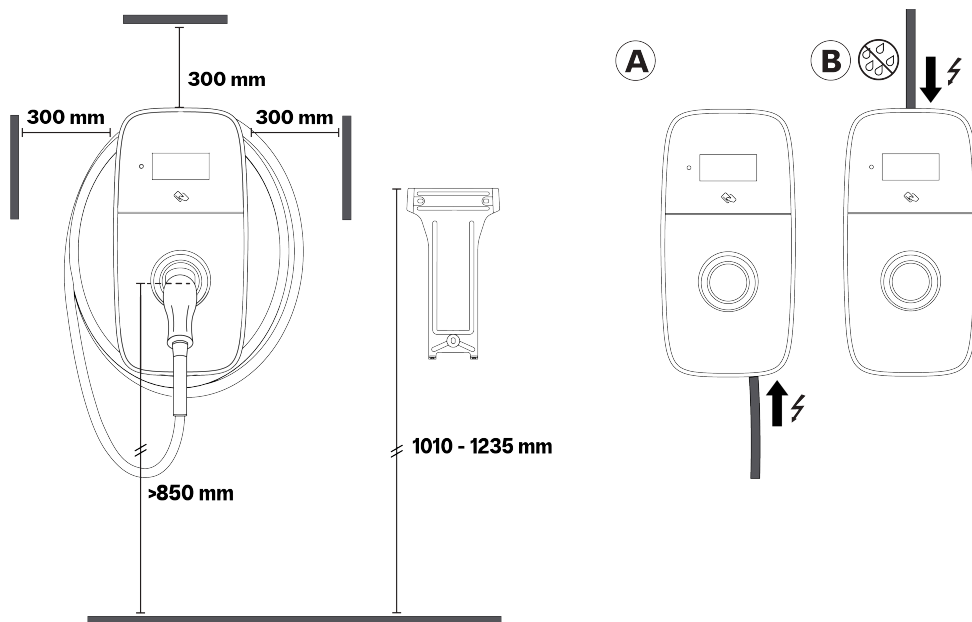
### ⚠ ATTENTION

Risque de pénétration d'eau lorsque l'entrée de câble supérieure B est utilisée à l'extérieur. Au cours d'une période prolongée, la pluie et l'humidité peuvent pénétrer dans la borne de recharge ainsi que dans le câble d'alimentation, ce qui pourrait endommager la borne de recharge.

- L'entrée du câble de communication se fait uniquement par le bas de la borne de recharge.

### ℹ Remarque

L'illustration suivante montre la hauteur d'installation minimale recommandée. Observez et respectez les réglementations locales en matière d'accessibilité.



## Liste de contrôle avant installation

Avant de démarrer l'installation de la borne de recharge, vérifiez ce qui suit :

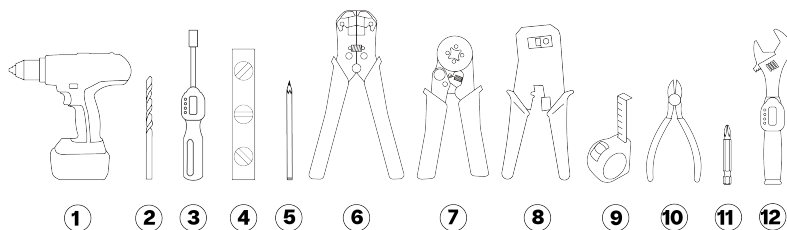
- L'installation sera conforme à la norme IEC 60364 et à toute réglementation locale applicable.
- Tous les permis nécessaires ont été obtenus auprès de l'autorité locale compétente.
- La charge électrique actuelle doit être calculée afin de connaître le courant de service maximal pour l'installation de la borne de recharge.
- Pour les bornes de recharge sans RCBO, un disjoncteur miniature (MCB) et un disjoncteur différentiel (RCD) sont installés en amont, et ont les valeurs nominales recommandées. Voir [Normes de l'alimentation électrique à la page 199](#).
- Le câble d'alimentation électrique répond à la spécification de la zone d'installation, et le câble est suffisamment long pour dénuder et raccorder les fils.
- Le câble d'alimentation demeure dans les limites de flexion pendant et après l'installation.

## 4. Instructions d'installation

- Les outils recommandés sont disponibles sur site. Voir [Outils requis à la page 199](#).
- Les chevilles, les vis et la mèche utilisés pour installer la borne de recharge sont adaptés à la structure murale.
- Si vous utilisez une configuration en groupe, l'ordre des phases correct est planifié et les exigences sont satisfaites. Voir [Optionnel : équilibrage de charge de groupe à la page 202](#).

FR

### 4.1.2. Outils requis



1. Perceuse
2. Mèche pour maçonnerie, 8 mm (5/16 in)
3. Tournevis dynamométrique avec porte-embout, 0,5 à 3 Nm
4. Niveau à bulle
5. Stylet
6. Pince à dénuder (câble d'alimentation)
7. Outil de sertissage par virole
8. Dénudeur et outil de sertissage (RJ45)
9. Mètre à ruban
10. Coupe-fil
11. Embout de tournevis, PH2
12. Clé dynamométrique, 3 à 6 Nm

### 4.1.3. Normes de l'alimentation électrique

#### DANGER

Un raccordement de la borne de recharge à l'alimentation électrique ne suivant pas les indications de cette section entraînera une incompatibilité de l'installation et un risque de choc électrique, ce qui endommagera la borne de recharge et causera des blessures, voire la mort.

- Ne raccordez la borne de recharge que selon une configuration décrite dans cette section.

Système de mise à la terre	Systèmes TN-S et TNC-S	Câble PE.
	Système TT Système IT	Électrode de masse installée séparément (auto-installée).
Entrée d'alimentation (phase)	Monophasé	230 V $\pm$ 10 %, jusqu'à 32 A $\pm$ 6 %, 50/60 Hz.
	Triphasé	400 V $\pm$ 10 %, jusqu'à 32 A $\pm$ 6 %, 50/60 Hz.
MCB (Disjoncteur miniature)	<ul style="list-style-type: none"> <li>• Caractéristique de déclenchement : Type C.</li> <li>• Le courant de déclenchement du MCB peut diminuer si la température ambiante dans l'armoire d'alimentation devient élevée. Tenez compte des températures ambiantes potentiellement plus élevées lors du choix des spécifications MCB.</li> <li>• Non requis pour les bornes avec RCBO intégré.</li> </ul> <p><b>Remarque</b></p> <ul style="list-style-type: none"> <li>• L'installation, y compris le MCB, sera conforme à la norme IEC 60364 et à toute réglementation locale applicable.</li> <li>• Le MCB doit correspondre aux paramètres d'ampérage de la borne de recharge et au courant maximal disponible pour la borne de recharge, conformément aux spécifications du fabricant du MCB.</li> <li>• La valeur I<sup>2</sup>t maximale du MCB ne doit pas dépasser 75 000 A<sup>2</sup>s.</li> </ul>	

RCD (dispositif de courant résiduel)	<ul style="list-style-type: none"> <li>• Valeur nominale RDC : La valeur nominale doit correspondre à l'ampérage de la borne de recharge.</li> <li>• Installations standard :             <ul style="list-style-type: none"> <li>◦ Pour la France, le RCD doit être de type B avec un courant nominal de 20 A ou 40 A et a une détection de courant de fuite CA maximum de 30 mA.</li> <li>◦ Pour les autres pays, le RCD doit être de type A, F ou B avec un courant nominal de 20 A, 32 A ou 40 A et a une détection de courant de fuite CA maximum de 30 mA.</li> </ul> </li> <li>• Installations EV Ready : Le RCD doit être de type A+, immunité haute (par exemple : HPI, SI, HI, KV, etc., en fonction du fournisseur RCD).</li> <li>• Non requis pour les bornes avec RCBO intégré.</li> </ul> <p><b>Remarque</b></p> <ul style="list-style-type: none"> <li>• L'installation, y compris le RCD, sera conforme à la norme IEC 60364 et à toute réglementation locale applicable.</li> <li>• La borne de recharge a une détection de fuite CC interne avec des temps et limites de déclenchement conformes à IEC 61851-1:2017 Cl. 8.5. (conformément à IEC 62955:2018 Tableau 2).</li> </ul>
--------------------------------------	---

### Câblage d'alimentation

Le tableau ci-dessous montre comment raccorder l'alimentation électrique à la borne de recharge, en fonction du type d'alimentation et de la configuration de la borne de recharge.

#### **⚠ AVERTISSEMENT**

La connexion d'une alimentation IT (sans raccordement neutre) à un RCBO intégré de type A peut causer des dommages à la borne de recharge, et par conséquent, provoquer des blessures ou le décès.

- Connectez uniquement une alimentation TN ou TT triphasée (avec raccordement neutre) à un RCBO intégré de type A.

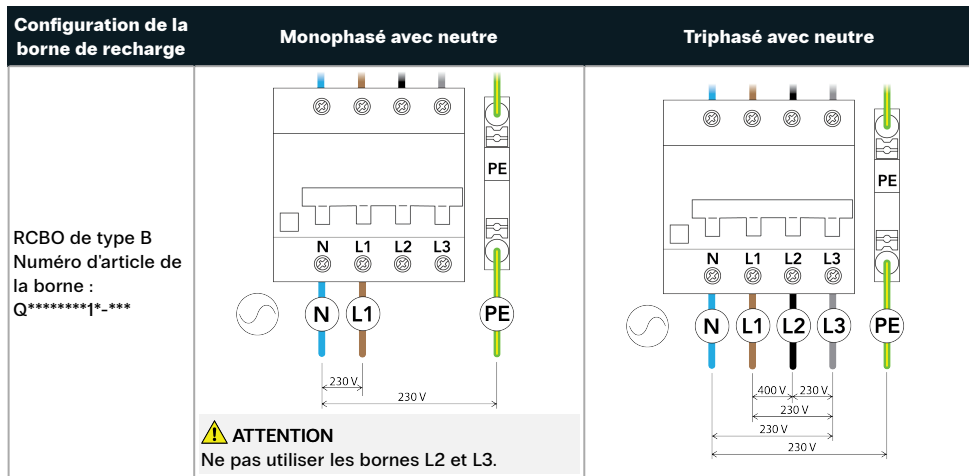
### Alimentation TN et TT vers RCBO

#### **i Remarque**

Cette section s'applique uniquement aux bornes avec RCBO intégré.

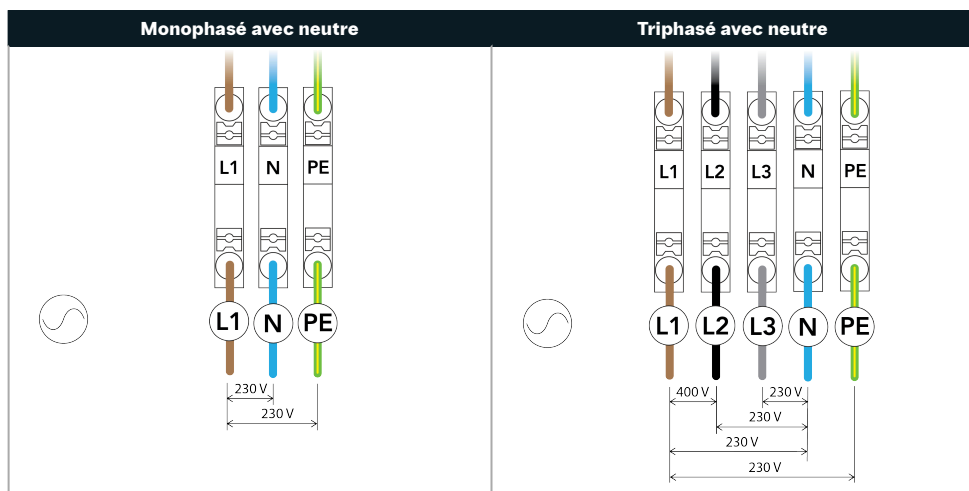
Configuration de la borne de recharge	Monophasé avec neutre	Triphasé avec neutre
RCBO de type A Numéro d'article de la borne : Q*****G*.***	<p><b>⚠ ATTENTION</b></p> <p>N'est pas pris en charge. Ne pas connecter une alimentation monophasée à une borne de recharge avec RCBO triphasé plus neutre.</p>	





### Alimentation TN et TT

**i Remarque**  
 Cette section s'applique uniquement aux bornes sans RCBO intégré.



### Alimentation IT (sans neutre) vers RCBO

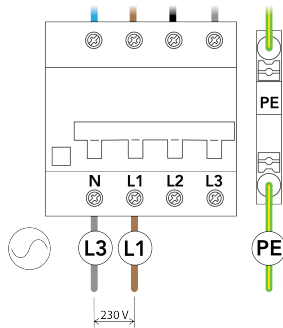
**⚠ ATTENTION**  
 Assurez-vous que la réglementation locale autorise l'installation de cette borne de recharge sur un réseau informatique sans neutre. Assurez-vous que le VE soit compatible avec ce type d'installation.

**i Remarque**  
 Cette section s'applique uniquement aux bornes avec RCBO intégré.

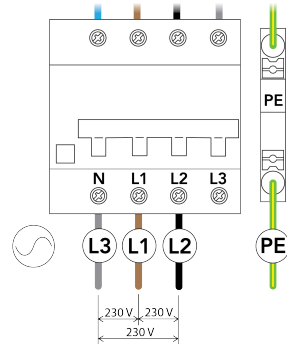
FR

**Configuration de la borne de recharge**
**Biphasé sans neutre**
**Triphasé sans neutre**

RCBO de type B  
Numéro d'article de la borne :  
Q\*\*\*\*\*1\*\_\*\*\*\*



**⚠ ATTENTION**  
Ne pas utiliser les bornes L2 et L3.



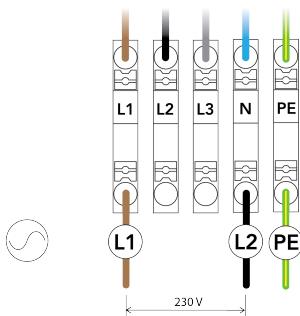
**⚠ ATTENTION**  
Ne pas utiliser la borne L3.

**Alimentation IT (sans neutre)**
**⚠ ATTENTION**

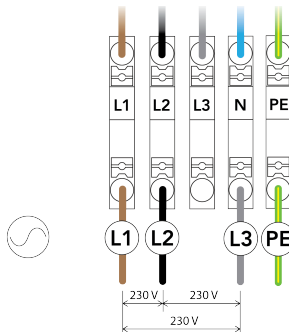
Assurez-vous que la réglementation locale autorise l'installation de cette borne de recharge sur un réseau informatique sans neutre. Assurez-vous que le VE soit compatible avec ce type d'installation.

**i Remarque**

Cette section s'applique uniquement aux bornes sans RCBO intégré.

**Biphasé sans neutre**
**Triphasé sans neutre**


**⚠ ATTENTION**  
Ne pas utiliser les bornes L2 et L3.



**⚠ ATTENTION**  
Ne pas utiliser la borne L3.

**4.1.4. Optionnel : équilibrage de charge dynamique**

Un système d'équilibrage de charge dynamique contrôlé la consommation électrique de tous les appareils électriques utilisant la même source d'alimentation. Le fournit un signal de commande à la borne de recharge pour réguler la puissance que la station fournit au VE, ce qui maintient la consommation électrique totale de la source d'alimentation dans des limites prédéfinies. Dans une installation en groupe, la borne de recharge connectée régule les autres bornes de recharge connectées dans le cluster.

L'équilibrage de charge dynamique nécessite une entrée câblée à partir d'un système de détection d'équilibrage de charge (voir [Communication de la borne de recharge à la page 214](#)).

**4.1.5. Optionnel : équilibrage de charge de groupe**

#### 4. Instructions d'installation

L'installation de l'équilibrage de charge de groupe comprend des bornes de recharge connectées en groupe. Un groupe permet d'établir un réseau intelligent sur l'ensemble du groupe afin d'optimiser l'utilisation de l'énergie. Chaque borne peut être utilisée comme borne connectée dans le groupe. Le groupe est configuré à l'aide de EVBox Install App. Pour l'équilibrage de charge correct, un groupe doit être connecté à un circuit d'alimentation unique.

L'équilibrage de charge de groupe nécessite que chaque borne du groupe soit connectée au même réseau local (LAN) par le biais d'une connexion Ethernet (voir [Communication de la borne de recharge à la page 214](#)).

FR

#### Exigences en matière d'équilibrage de charge du groupe

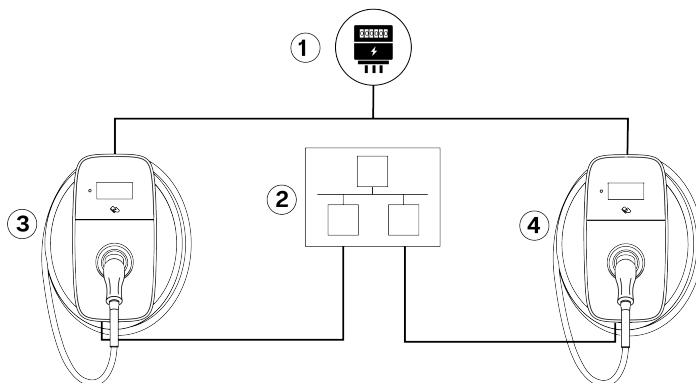
Commutateur Ethernet	<ul style="list-style-type: none"><li>• Prise en charge d'IPv6</li><li>• Non géré</li><li>• Nombre de ports : Le nombre de port doit être égal ou supérieur au nombre de chargeurs connectés au groupe.</li><li>• Port RJ45</li><li>• 100 Mb/s ou plus</li><li>• Multidiffusion statique : désactivée</li><li>• Multidiffusion dynamique (écoute MLD) : désactivée</li></ul> <p><b>i Remarque</b></p> <ul style="list-style-type: none"><li>◦ Pour les grands groupes, deux commutateurs ou plus peuvent être combinés dans le même réseau.</li><li>◦ Un port supplémentaire est requis si le commutateur est utilisé pour la connexion Internet.</li></ul>
Câbles	<ul style="list-style-type: none"><li>• CAT5</li><li>• Longueur : 100 m de longueur maximale pour chaque nœud de groupe</li></ul>

#### Diagramme de connexion

Le schéma suivant décrit comment plusieurs bornes de recharge sont connectées dans un groupe.

#### **i Remarque**

Le schéma n'inclut pas la connexion internet de la borne de recharge. La connexion Internet de la station de charge peut être configurée à l'aide d'un réseau cellulaire, Wi-Fi ou Ethernet.



1. Alimentation électrique
2. Commutateur Ethernet

3. Chargeur secteur 1
4. Chargeur secteur N

#### Rotation de phase

Pour éviter de surcharger la première phase avec des véhicules électriques monophasés, l'ordre des phases de

chaque borne de recharge qui se connecte à une alimentation triphasée dans une installation Power-Sharing doit être configuré à l'aide du EVBox Install App.

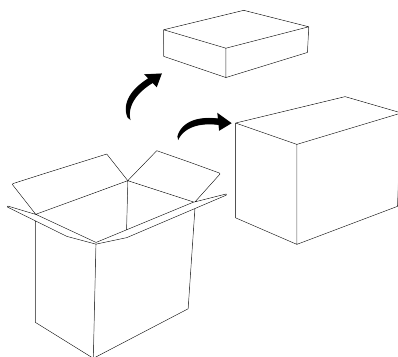
#### 4.1.6. Uniquement pour les pays applicables : contrôle de l'alimentation à distance par DSO

Selon les règles techniques de raccordement VDE-AR-N-4100:2019-04 Cl. 10.6.4, une borne de recharge d'une puissance nominale totale supérieure à 12 kVA doit disposer d'une interface de contrôle de l'alimentation à distance pour permettre l'arrêt à distance de la borne par le Distribution System Operator (DSO) (Opérateur de réseau de distribution). Cette borne de recharge peut être connectée par câble à un dispositif DSO en amont équipé d'un relais Normalement Ouvert (NO). Lorsque le relais se ferme, la borne entre dans un état suspendu et la recharge est en pause. La recharge reprend lorsque le relais s'ouvre. Voir [Uniquement pour les pays applicables : Connectez le câble de contrôle de l'alimentation à distance à la page 218](#) pour les instructions de raccordement de câble.

L'inscription auprès du DSO est obligatoire.

## 4.2. Déballage

1. Ouvrez la boîte d'expédition. Retirez le couvercle et la borne de recharge.

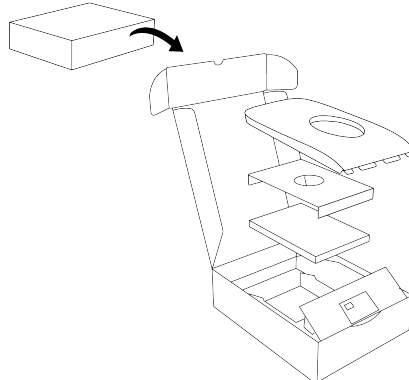


2. Ouvrez le couvercle. Trouvez la coque avant, le pack de bienvenue (en option), la documentation de la borne de recharge et la carte SIM (en option).



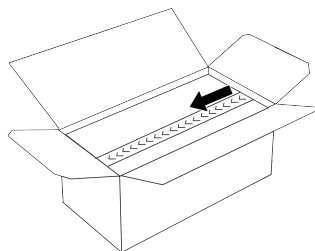
### Remarque

Pour éviter tout dommage, laissez la coque avant dans son emballage jusqu'à l'installation.



#### 4. Instructions d'installation

3. Ouvrez la boîte de la borne.

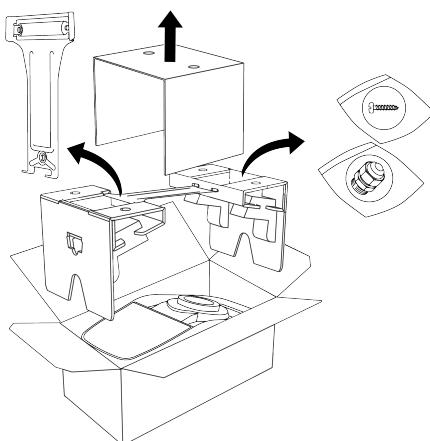


FR

4. Retirez les trois inserts en carton, le support mural et les kits d'installation.

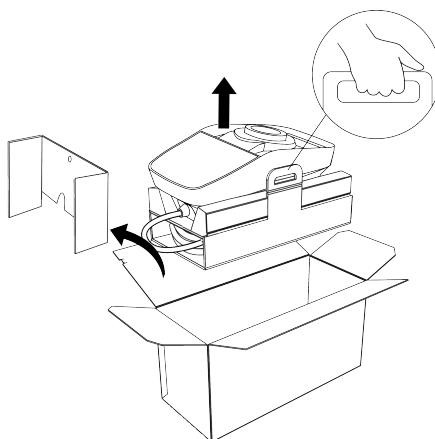
**i Remarque**

Pour éviter tout dommage, laissez la borne de recharge dans son emballage jusqu'à installation.

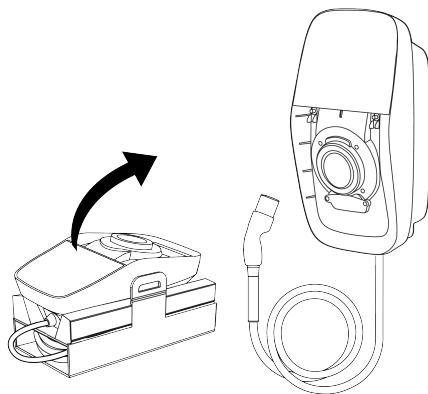


5. Lorsque la borne est prête à être installée sur le support mural, retirez la borne de recharge de l'emballage comme ci-après :

- a. Retirez l'insert en carton puis soulevez l'emballage en carton avec la borne de recharge et le câble de la boîte de la borne.



- b. Retirez la borne de recharge et le câble de recharge de l'emballage.

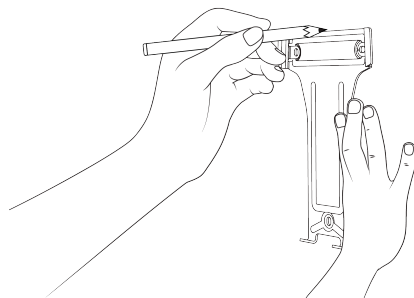


### 4.3. Installer le support mural et la borne de recharge

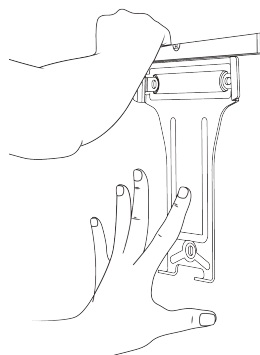
#### **⚠ ATTENTION**

Suivez les recommandations dans [Plan en vue de l'installation à la page 197](#) lors de la sélection de l'emplacement et de la hauteur d'installation de la borne de recharge et lors du choix d'une entrée de câble d'alimentation.

1. Installez le support mural comme ci-après :
- Marquez la hauteur du haut du support mural.

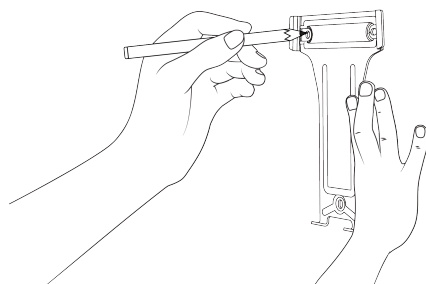


- Tenez le support mural sur le mur et mettez-le à niveau avec un niveau à bulle.



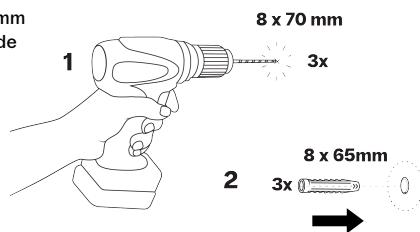
#### 4. Instructions d'installation

- c. Marquez les trois points de vissage sur le mur.  
Retirez le support mural.

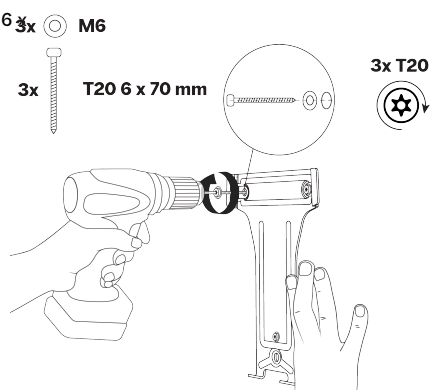


FR

- d. Percez un trou de 8 mm à une profondeur de 70 mm à chaque point de vis. Installez une prise murale de 8 x 65 mm dans chaque trou.

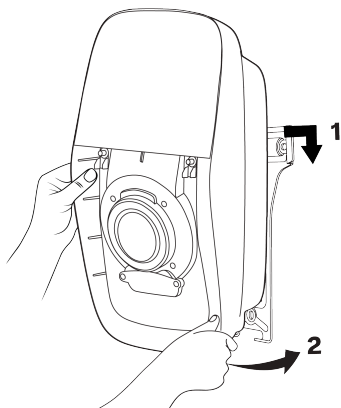


- e. Installez le support mural à l'aide de trois vis T20 6 x 70 mm et des rondelles M6.



2. Installez la borne de recharge comme suit :

- a. Enclenchez la borne de recharge avec le haut du support mural, puis faites pivoter la borne de recharge vers le bas pour aligner les deux trous de vis inférieurs.

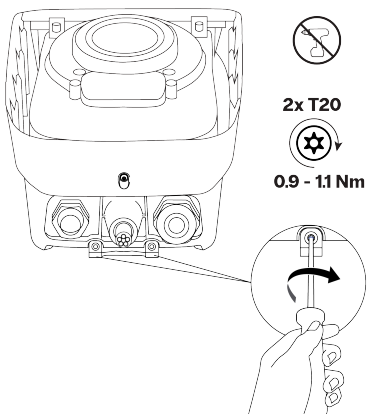


- b. Installez deux vis Torx T20 de sécurité pour fixer la borne de recharge au support mural.

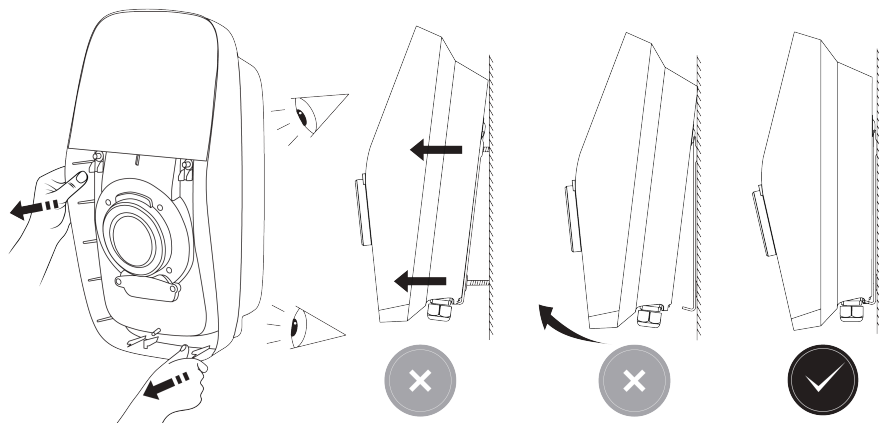
**⚠ ATTENTION**

L'utilisation d'un tournevis électrique avec un couple élevé peut endommager les vis et les composants.

- Utilisez uniquement un tournevis à faible couple avec le bon réglage de couple.



- c. Tirez doucement sur la borne de recharge pour vous assurer qu'elle est bien fixée au support mural et au mur.



#### 4.4. Connecter le câble d'alimentation

La borne de recharge comporte deux presse-étoupes interchangeables :



#### 4. Instructions d'installation

- Le presse-étoupe installé est dédié à un câble d'alimentation avec un diamètre de gaine de 13 à 25 mm.
- Le kit de presse-étoupe est dédié à un câble d'alimentation avec un diamètre de gaine de 12 à 20 mm.

Les borniers acceptent un calibre de fil dans la plage suivante :

- Fil plein : maximum 16 mm<sup>2</sup>.
- Toron avec bague (sans manchon en plastique) : maximum 10 mm<sup>2</sup>.

Le câble d'alimentation peut entrer dans la borne de recharge par le haut ou par le bas. L'entrée de câble inférieure A peut être utilisée dans n'importe quel emplacement. L'entrée de câble supérieure B peut uniquement être utilisée dans un emplacement où il n'y a pas de risque d'exposition à la pluie ou à l'humidité.

#### ATTENTION

Suivez les recommandations dans [Plan en vue de l'installation à la page 197](#) lors de la sélection du point d'entrée du câble d'alimentation pour la borne de recharge.

#### Remarque

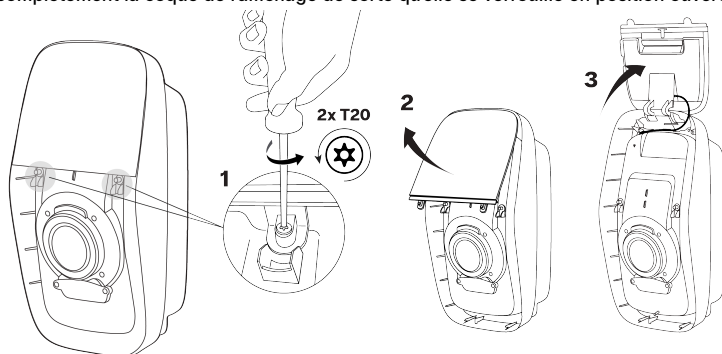
L'entrée du câble de communication se fait uniquement par le bas de la borne de recharge.

#### Remarque

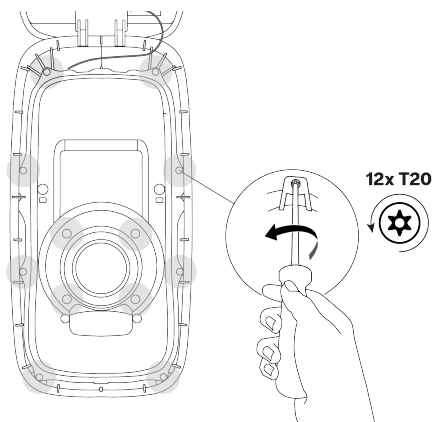
Toutes les vis de sécurité Torx T20 sont imperdables. Ne retirez pas complètement les vis imperdables de la borne de recharge.

1. Retirez la coque intérieure comme suit :

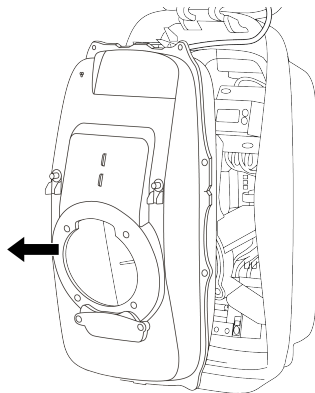
- a. Desserrez deux vis imperdables de sécurité Torx T20 qui fixent la coque de l'affichage. Ouvrez complètement la coque de l'affichage de sorte qu'elle se verrouille en position ouverte.



- b. Desserrez les 12 vis imperdables de sécurité Torx T20 qui fixent la coque intérieure.

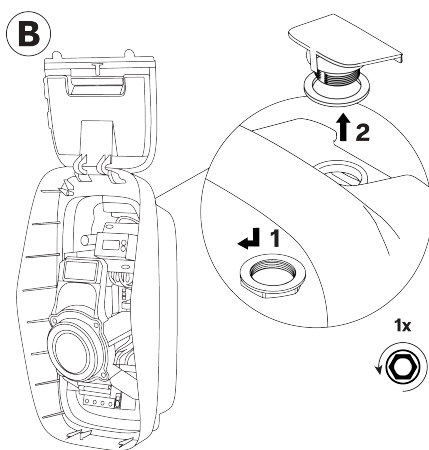


- c. Retirez la coque intérieure.

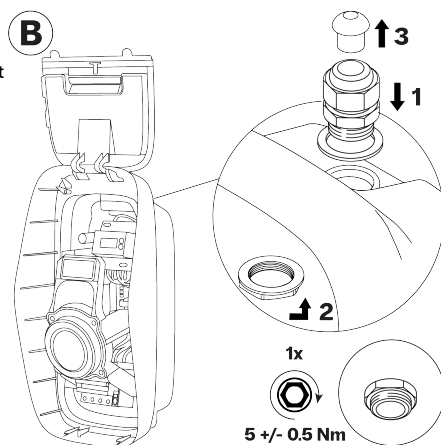


2. Pour l'entrée de câble supérieure B : préparez l'entrée supérieure pour le câble d'alimentation comme suit :

- a. Retirez l'écrou qui fixe la coque sur l'entrée supérieure. Retirez la coque.  
Conservez l'écrou pour l'utiliser sur le presse-étoupe. Conservez la coque dans l'emballage.



- b. Installez le presse-étoupe et le joint dans l'entrée supérieure. Installez et serrez l'écrou.  
Retirez le bouchon d'obturation du presse-étoupe et conservez-le pour une utilisation ultérieure.

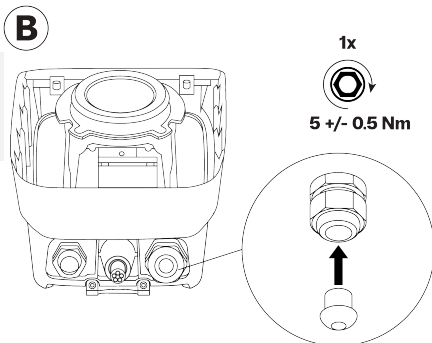


#### 4. Instructions d'installation

- c. Installez le bouchon d'obturation dans le presse-étoupe non utilisé au bas de la borne de recharge.

**⚠ ATTENTION**

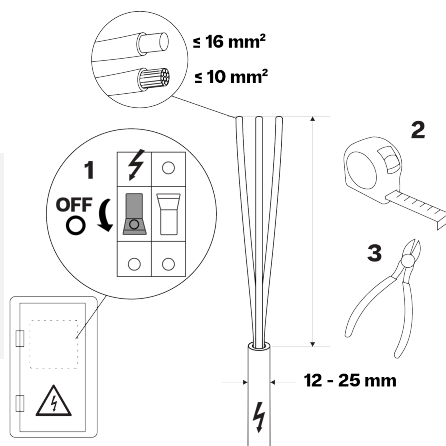
Assurez-vous que le bouchon d'obturation est installé dans le presse-étoupe afin de maintenir le code IP de la borne de recharge.



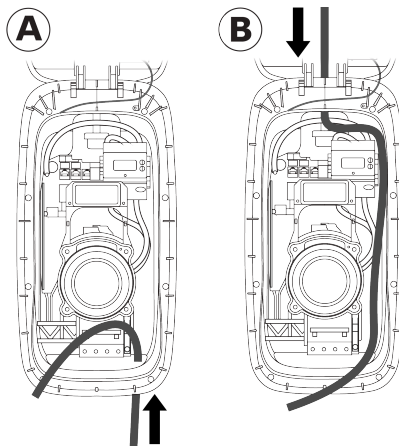
3. Coupez le câble d'alimentation et dénudez la gaine extérieure afin que les câbles et ses fils aient une longueur suffisante pour se connecter au bornier du RCBO et du PE de la borne de recharge. Si nécessaire, installez une isolation supplémentaire sur les fils individuels.

**⚠ ATTENTION**

Pour protéger les circuits SELV (Separated Extra Low Voltage - séparé extra basse tension), les fils dénudés à simple isolation ne doivent pas toucher les composants de la carte principale. Si nécessaire, installez une double isolation sur les fils individuels, par exemple en utilisant des gaines thermorétractables ou des manchons isolants.



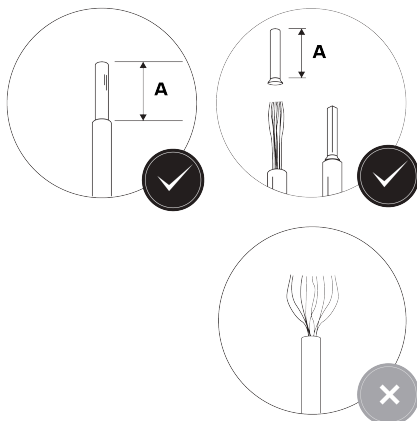
4. Faites passer le câble d'alimentation à travers la borne de recharge en utilisant l'entrée de câble inférieure A ou l'entrée de câble supérieure B. Acheminez le câble d'alimentation dans les points de raccordement. Laissez une longueur suffisante à dénuder et connectez les fils.



5. Dénudez les extrémités des fils du câble d'alimentation :

- Pour un RCBO, A = 12 mm
- Pour un bornier, A = 18 mm

Lorsque des torons sont utilisés, installez des manchons d'extrémité de fil et appliquez un sertissage carré pour assurer un branchement optimal dans le bornier du RCBO et du PE.



6. Pour une borne avec RCBO intégré : Connectez le câble d'alimentation comme suit :

**⚠ AVERTISSEMENT**

Une connexion incorrecte des fils d'alimentation peut entraîner un risque d'électrocution, et donc endommager la borne de recharge, et provoquer des blessures ou la mort.

- Assurez-vous que les fils d'alimentation sont bien connectés.

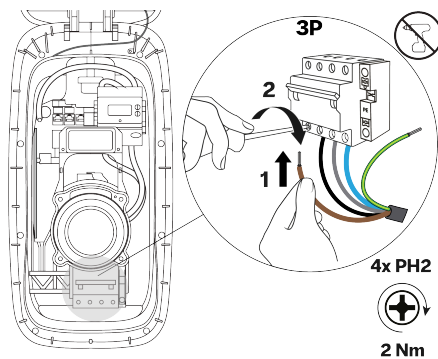
**i Remarque**

Connectez les fils conformément aux schémas de câblage de l'alimentation électrique dans la section [Normes de l'alimentation électrique à la page 199](#).

**i Remarque**

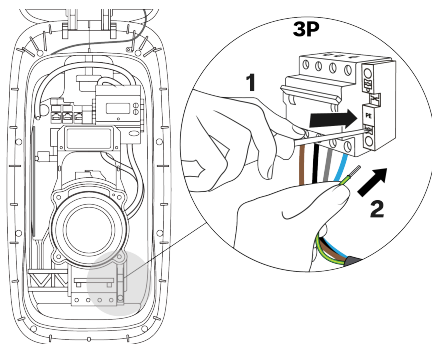
Les RCBO de type B sont installés à l'envers dans les bornes de recharge.

- a. Connectez les fils du câble d'alimentation au RCBO.  
Serrez les vis pour fixer les fils.



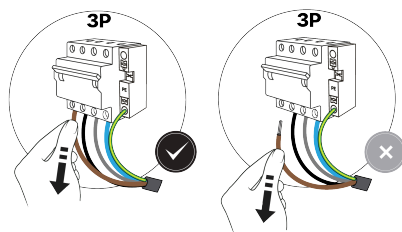
#### 4. Instructions d'installation

- b. Connectez le fil PE du câble d'alimentation au bornier PE.



FR

- c. Tirez sur chaque fil pour vérifier que les fils sont bien connectés.



7. Pour une borne avec borniers : Connectez le câble d'alimentation comme suit :

#### **⚠ AVERTISSEMENT**

Une connexion incorrecte des fils d'alimentation peut entraîner un risque d'électrocution, et donc endommager la borne de recharge, et provoquer des blessures ou la mort.

- Assurez-vous que les fils d'alimentation sont bien connectés.

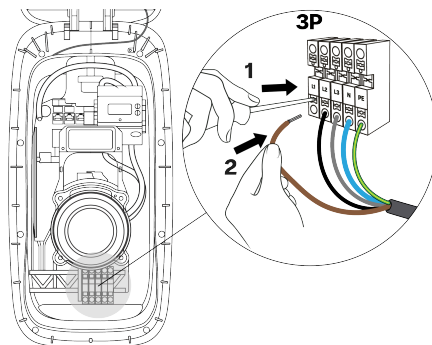
#### **i Remarque**

Connectez les fils conformément aux schémas de câblage de l'alimentation électrique dans la section [Normes de l'alimentation électrique à la page 199](#).

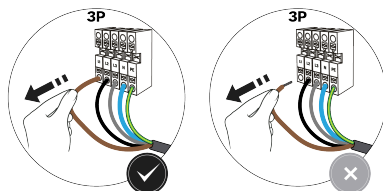
#### **i Remarque**

Les illustrations montrent un triphasé avec un raccordement neutre.

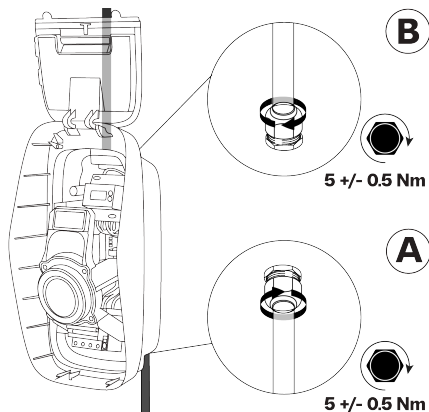
- a. Connectez les fils du câble d'alimentation aux borniers.



- b. Tirez sur chaque fil pour vérifier que les fils sont bien connectés.



8. Serrez le presse-étoupe pour fixer le câble d'alimentation et maintenir le code IP de la borne de recharge.



## 4.5. Communication de la borne de recharge

L'entrée du câble de communication se fait uniquement par le presse-étoupe gauche au bas de la borne de recharge. Un maximum de quatre câbles de communication peuvent entrer dans la borne de recharge par le presse-étoupe.

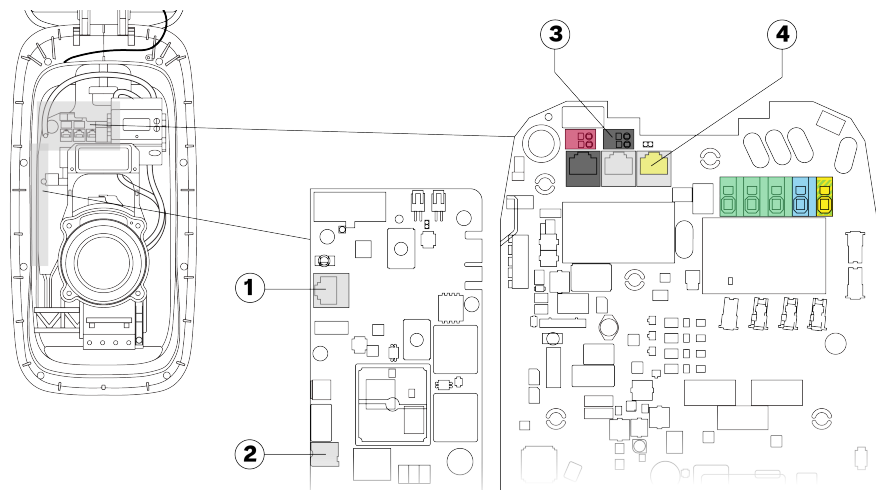
Il y a trois options pour connecter la borne de recharge à Internet :

- Ethernet (option recommandée)
- Wi-Fi (voir [Configuration à la page 224](#))
- Cellulaire (carte SIM)

### Connexions et composants de communication

#### Remarque

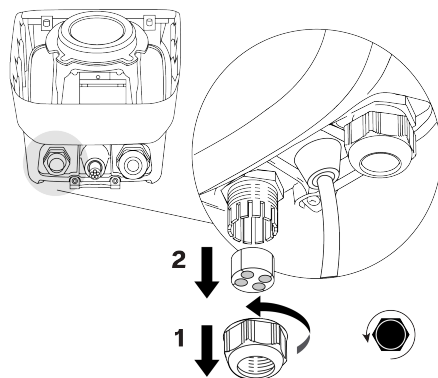
Les connexions de communication et les composants utilisés dépendent du modèle de la borne de recharge et de la fonctionnalité requise.



1. Prise Ethernet pour connexion Internet filaire
2. Emplacement pour carte nano-SIM pour connexion Internet cellulaire
3. Bornes pour le contrôle de la puissance active (uniquement pour l'Allemagne)
4. Fiche CT IN pour équilibrage de charge dynamique

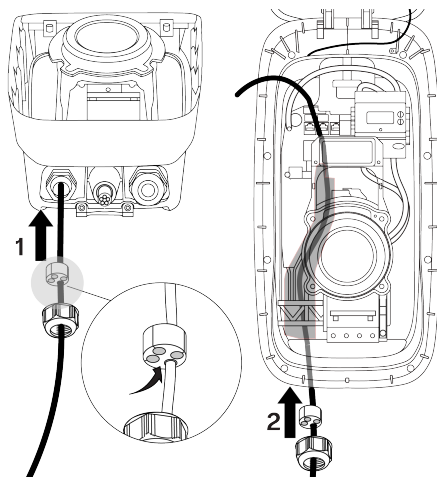
#### 4.5.1. Acheminer les câbles de communication

1. Retirez l'écrou du presse-étoupe et le joint du presse-étoupe gauche.



2. Faites passer les câbles de communication requis à travers l'écrou du presse-étoupe et du joint, puis à travers le presse-étoupe gauche dans le fond de la borne de recharge. Faites passer les câbles dans le canal de câbles jusqu'au sommet de la borne de recharge.

FR



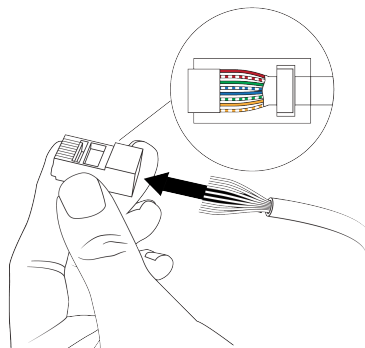
#### 4.5.2. Optionnel : connectez le câble Ethernet pour internet

##### **i** Remarque

Utilisez tout câble de réseau de Cat5 et au-dessus (Cat5, Cat5e, Cat6), avec des paires de fils torsadés.

- L'utilisation de câble de réseau blindé est recommandée mais non obligatoire.
- Si un câble blindé est utilisé, ne pas raccorder le blindage.
- Pour les installations à l'extérieur, utilisez un câble réseau résistant aux UV.
- Les câbles de réseau peuvent avoir une fiche RJ45 préinstallée, ou la fiche RJ45 peut être installée avant ou après le routage du câble de réseau dans la borne de recharge.

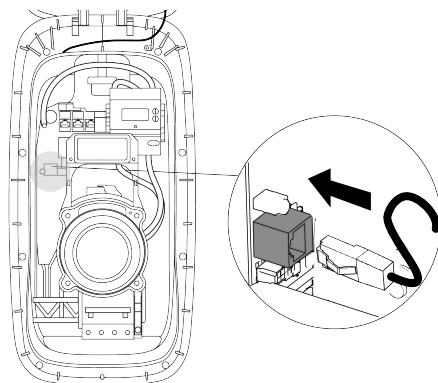
1. Si une fiche RJ45 n'est pas préinstallée, installez une fiche RJ45 sur le câble réseau.





#### 4. Instructions d'installation

2. Connectez la fiche RJ45 du câble réseau à la prise Ethernet de la carte de communication.



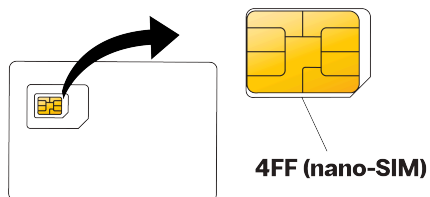
FR

#### 4.5.3. Optionnel : installer la carte SIM pour internet

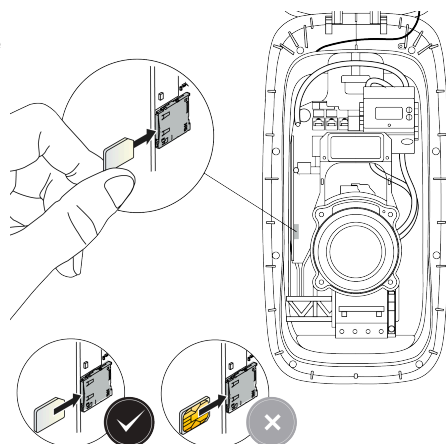
##### Remarque

Seules certaines cartes SIM sont prises en charge.

1. Retirez la carte SIM 4FF (nano-SIM) de son support.



2. Insérez et verrouillez la carte SIM 4FF (nano-SIM) dans la fente de la carte de communication. Les contacts de la carte SIM doivent faire face à la carte de communication.



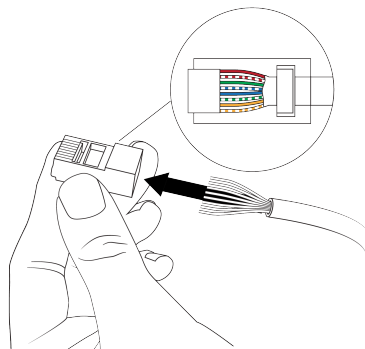
#### 4.5.4. Optionnel : connectez le câble d'équilibrage de charge dynamique

##### **i** Remarque

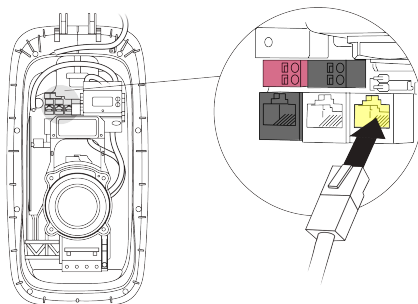
Utilisez tout câble de réseau de Cat5 et au-dessus (Cat5, Cat5e, Cat6), avec des paires de fils torsadés.

- L'utilisation de câble de réseau blindé est recommandée mais non obligatoire.
- Si un câble blindé est utilisé, ne pas raccorder le blindage.
- Pour les installations à l'extérieur, utilisez un câble réseau résistant aux UV.
- Les câbles de réseau peuvent avoir une fiche RJ45 préinstallée, ou la fiche RJ45 peut être installée avant ou après le routage du câble de réseau dans la borne de recharge.

1. Si une fiche RJ45 n'est pas préinstallée, installez une fiche RJ45 sur le câble réseau.



2. Connectez la fiche RJ45 du câble réseau au socle de prise CT IN.



#### 4.5.5. Uniquement pour les pays applicables : Connectez le câble de contrôle de l'alimentation à distance

Les borniers acceptent un calibre de fil dans la plage suivante :

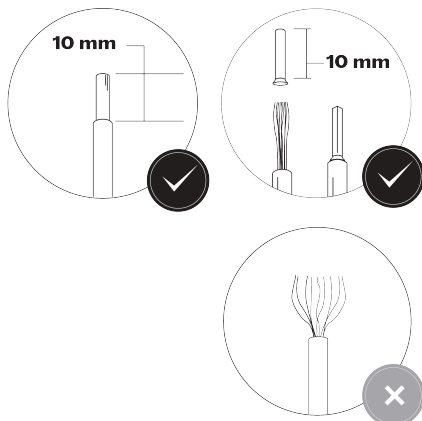
- Fil plein : maximum 1,5 mm<sup>2</sup>.
- Toron avec bague (sans manchon en plastique) : maximum 1,5 mm<sup>2</sup>.

Utilisez un câble à double isolation qui est résistant à des températures allant jusqu'à 90 °C.

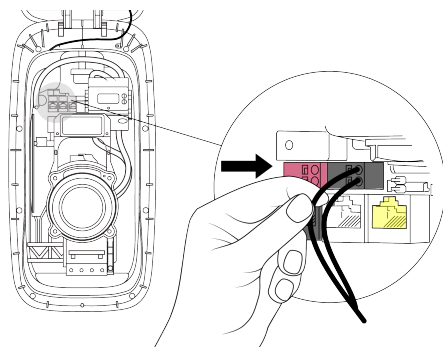
#### 4. Instructions d'installation

1. Dénudez les extrémités des fils du câble de contrôle de puissance active.

Lorsque des torons sont utilisés, installez des embouts (sans manchons plastique) et appliquez un sertissage carré pour assurer un branchement optimal dans les borniers.



2. Connectez les fils de contrôle de puissance active au bornier noir (entrée numérique 1).



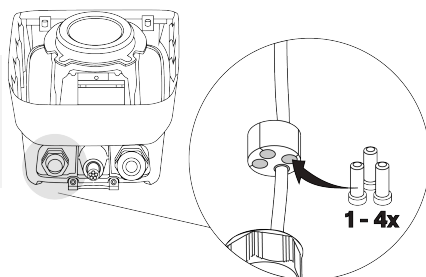
3. Connectez l'autre extrémité du câble de contrôle de puissance active à un dispositif de contrôle DSO avec des contacts normalement ouverts (NO).

#### 4.5.6. Serrez le presse-étoupe

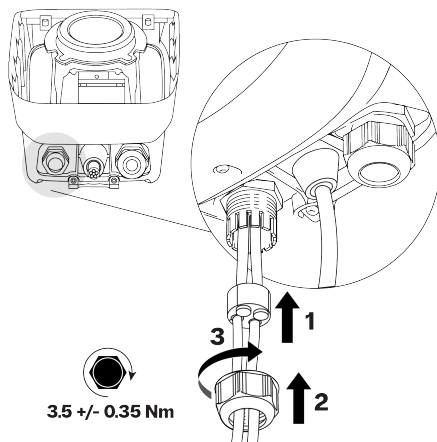
1. Installez les bouchons d'obturation dans les entrées non utilisées dans le joint de presse-étoupe.

##### **⚠ ATTENTION**

Assurez-vous que les bouchons d'obturation sont mis en place dans les entrées de câble non utilisées du presse-étoupe afin de maintenir le code IP de la borne de recharge.



2. Déplacez le joint du presse-étoupe dans le presse-étoupe, puis serrez le presse-étoupe pour fixer les câbles du réseau et les bouchons d'obturation.

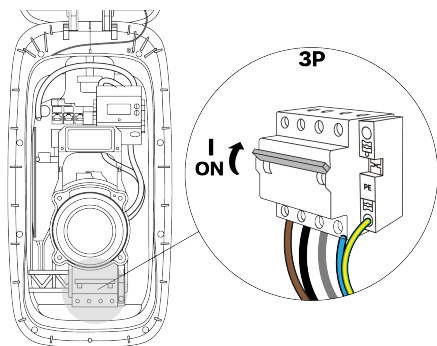


#### 4.6. Installez les coques de la borne de recharge

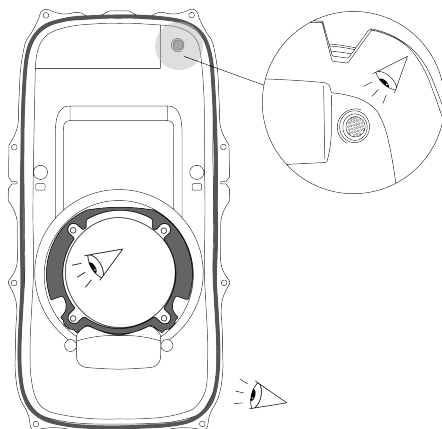
1. Pour une borne avec RCBO intégré : dans la borne de recharge, assurez-vous que le RCBO est allumé.

**i Remarque**

Les RCBO de type B sont installés à l'envers dans les bornes de recharge. Si la borne de recharge est équipée d'un RCBO de type B, les sens de marche et d'arrêt sont inversés.



2. Avant l'installation, vérifiez la coque interne comme suit :
  - a. À l'intérieur, vérifiez que le joint de la coque interne et le joint central sont propres et non endommagés. Vérifiez que la membrane de ventilation est bien fixée et qu'elle n'est pas endommagée.



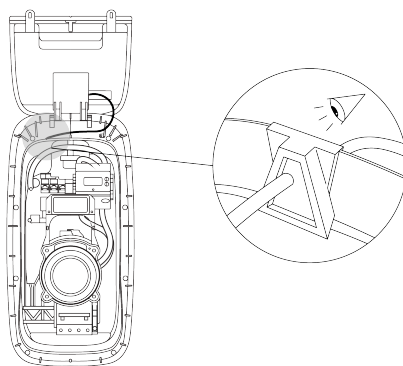
#### 4. Instructions d'installation

- b. À l'extérieur, assurez-vous que les trois orifices de ventilation ne sont pas obstrués par de l'eau, de la poussière ou des débris.

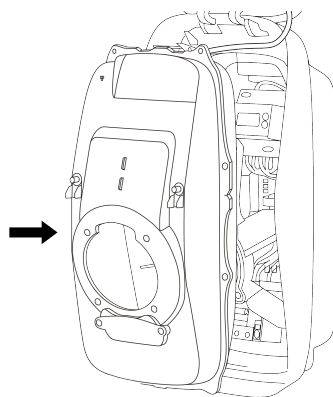


FR

- 3. Sur la borne de recharge, vérifiez que le joint traversant pour le câble de l'affichage est correctement installé.



- 4. Installez la coque interne comme ci-après :
  - a. Mettez en prise le dessous de la coque en dessous du trou central, puis poussez le dessus de la coque dans sa position.



- b. Serrez les 12 vis imperdables de sécurité Torx T20 dans l'ordre indiqué, pour fixer la coque interne.

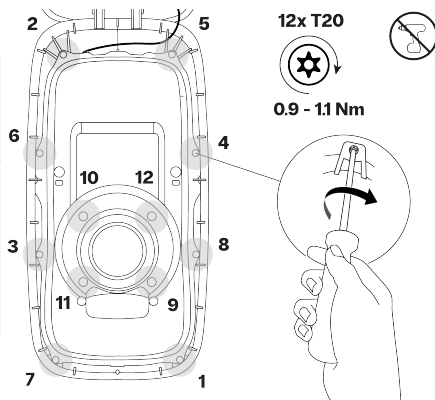
**⚠ ATTENTION**

Risque de pénétration d'eau. De la pluie et de l'humidité peuvent pénétrer la borne de recharge si les vis ne sont pas serrées dans le bon ordre.

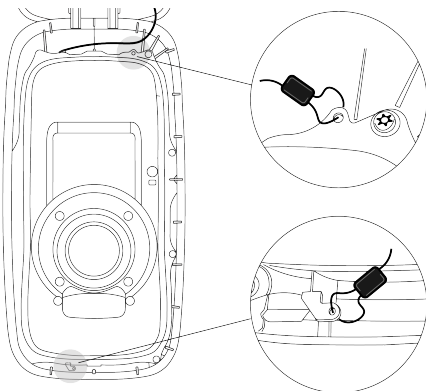
**⚠ ATTENTION**

L'utilisation d'un tournevis électrique avec un couple élevé peut endommager les vis et les composants.

- Utilisez uniquement un tournevis à faible couple avec le bon réglage de couple.



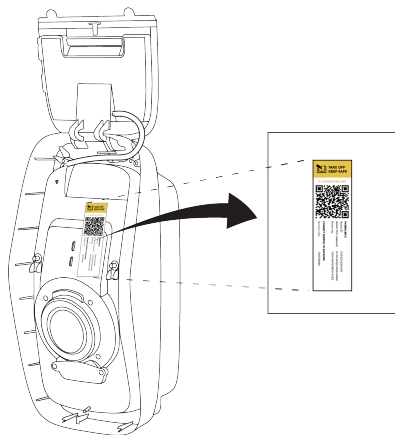
- c. Facultatif : Installez deux sceaux inviolables dans les coins supérieur droit et inférieur gauche de la coque interne.



5. Retirez l'autocollant contenant les informations relatives à la borne de recharge de la coque interne. Conservez l'autocollant avec la documentation sur la borne de recharge. Vous aurez besoin des informations sur l'autocollant pendant la configuration.

**⚠ ATTENTION**

Pour empêcher un accès non autorisé aux configurations de la borne de recharge, ne pas laisser l'autocollant sur la borne de recharge.



6. Installez la coque de l'affichage et la coque avant comme ci-après :

#### 4. Instructions d'installation

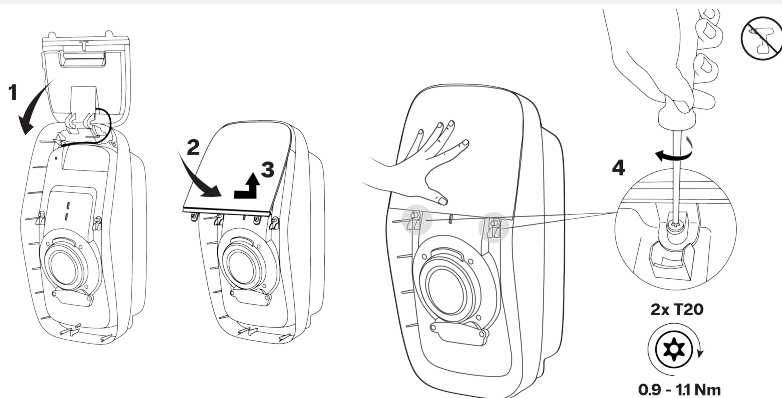
- a. Fermez la coque de l'affichage et maintenez-la fermée. Fixez la coque de l'affichage en utilisant deux vis imperdables de sécurité Torx T20.

**⚠ ATTENTION**

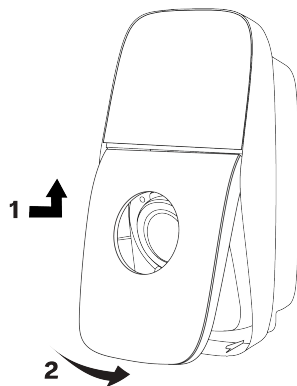
L'utilisation d'un tournevis électrique avec un couple élevé peut endommager les vis et les composants.

- Utilisez uniquement un tournevis à faible couple avec le bon réglage de couple.

FR



- b. Engagez le bord supérieur de la coque avant en dessous du bord inférieur de la coque de l'affichage, puis pivotez la coque vers le bas pour aligner le trou de vis inférieur.

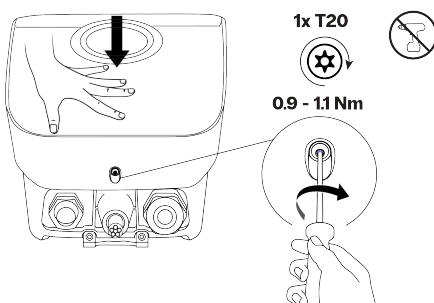


- c. Poussez la coque avant contre le ressort. Serrez la vis imperdable Torx T20 pour fixer la coque avant sur la borne de recharge.

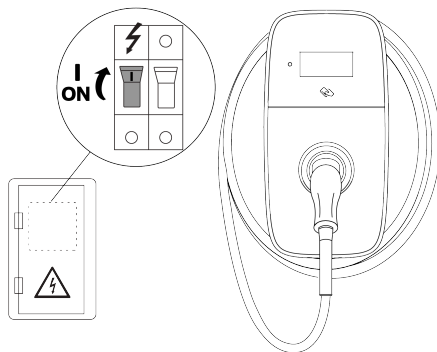
**⚠ ATTENTION**

L'utilisation d'un tournevis électrique avec un couple élevé peut endommager les vis et les composants.

- Utilisez uniquement un tournevis à faible couple avec le bon réglage de couple.



7. Enroulez sans serrer le câble de recharge autour de la borne de recharge pour l'entreposage, et placez le pistolet de recharge dans le support de pistolet. Mettez la borne de recharge sous tension. L'anneau LED est blanc rotatif pour indiquer que la borne de recharge est en cours de démarrage.



La borne de recharge est désormais complètement installée. L'anneau LED s'allume en blanc, clignotant et s'éteignant deux fois, pour indiquer que la configuration peut commencer.

## 4.7. Configuration

Pour que la borne de recharge fonctionne, elle doit être connectée à Internet. Une fois connectée, il est recommandé d'activer la borne de recharge sur une Plateforme de gestion des bornes de recharge (CMP) pour pleinement bénéficier de toutes les caractéristiques de la borne de recharge et de l'assistance en ligne.

La configuration doit être complétée avant que la borne de recharge ne soit utilisée.

### 4.7.1. Configurez la borne de recharge.

#### AVERTISSEMENT

Risque de choc électrique, qui peut causer des blessures sévères ou la mort. Seul un électricien qualifié est autorisé à utiliser l'EVBox Install app pour configurer la borne de recharge.

1. Téléchargez et installez EVBox Install App sur votre smartphone ou votre tablette.



2. Ouvrez EVBox Install App et suivez les instructions dans l'application.

Les informations relatives à la borne de recharge nécessaires pour la configuration de la borne est sur l'étiquette qui a été retirée pendant l'installation.





## 5. Instructions d'utilisateur

3. En utilisant EVBox Install App, réglez les configurations clés pour vous assurer que la borne de recharge fonctionne en toute sécurité :
  - Courant de recharge maximum.
  - Connectivité internet.
  - Autres réglages de configuration.

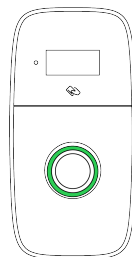
FR

### 4.7.2. Optionnel : activez la borne de recharge au CMP

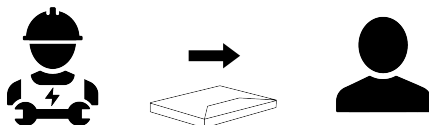
Pour une borne de recharge en ligne, l'utilisateur doit activer la borne de recharge avec la plateforme de gestion de recharge (CMP) sur le site web de la CMP ou en utilisant l'application spécifique de la CMP. Contactez l'Opérateur de charge (CPO) pour plus de détails sur la procédure d'activation de la borne de recharge.

### 4.7.3. Prêt à l'emploi

La borne de recharge est prête à recharger un VE lorsque les coques seront installées sur la borne de recharge, la mise en service est terminée, et l'anneau LED s'allume en vert fixe



Remettez tous les documents au propriétaire. Le propriétaire doit conserver toute la documentation livrée avec la borne de recharge en lieu sûr pendant toute la durée de vie du produit.



## 5. Instructions d'utilisateur

### DANGER

Les utilisateurs ne respectant pas les instructions contenues dans le présent manuel s'exposent à un risque de choc électrique, qui entraînera des blessures graves, voire la mort.

- Lisez les consignes de sécurité et les instructions d'utilisation de ce manuel avant d'utiliser la borne de recharge.
- En cas de doute concernant l'utilisation de la borne de recharge, veuillez contacter votre revendeur pour obtenir davantage d'informations.

### 5.1. Commencez et arrêtez la session de recharge

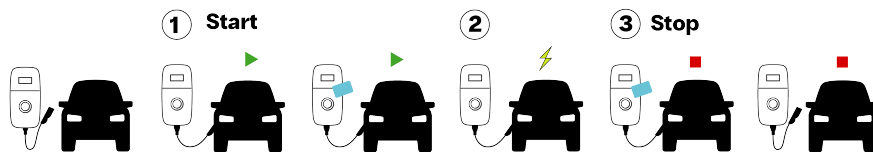
#### Remarque

Les instructions de session de recharge sont également affichées sur l'affichage.

1. Commencez à recharger :
  - Retirez le pistolet de la station d'accueil de la borne de recharge, puis déroulez entièrement le câble de recharge de la borne de recharge.
  - Connectez le câble de recharge à votre véhicule.
  - Si vous utilisez une carte de recharge ou un badge de recharge, placez-le devant le lecteur de la borne de recharge pour démarrer la recharge.\*
2. Votre véhicule est en cours de recharge.

## 3. Arrêtez de recharger :

- Si vous utilisez une carte de recharge ou un badge de recharge\*\*, placez-le devant le lecteur de la borne de recharge pour arrêter la recharge.\*
- Déconnectez le câble de recharge de votre véhicule.
- Enroulez le câble de recharge autour de la borne de recharge, puis placez le pistolet dans la station d'accueil.



\* Lorsque la borne de recharge n'est configurée que pour accepter les cartes de recharge ou badges de recharge.

\*\* La carte de recharge ou le badge de recharge doivent être les mêmes que ceux vous avez utilisés pour démarrer la session de recharge.

## 5.2. Indication de l'état




## Remarque

L'état de la borne de recharge est également affiché sur l'affichage.

## Remarque

Certaines caractéristiques et indications d'état ne sont pas disponibles sur tous les modèles.

Anneau LED	Couleur	Description de l'état
	Blanc (rotatif)	La borne de recharge démarre, ou le logiciel se met à jour.
	Blanc (clignotant)	La borne de recharge est en attente de configuration à l'aide de EVBox Install App.
	Vert (constant)	Idle. La borne de recharge est prête à recharger.
	Rouge (fixe)	Authentification non acceptée. L'indication passe au vert après 5 secondes.
	Bleu (constant)	<ul style="list-style-type: none"> <li>• La borne de recharge attend le véhicule.</li> <li>• La recharge est mise en pause.</li> </ul>
	Bleu (se remplissant à partir du bas)	Le véhicule est en cours de recharge.

Anneau LED	Couleur	Description de l'état
	Vert (clignotant)	La session de recharge est terminée. Le véhicule peut être déconnecté de la borne de recharge.
	Orange (constant)	La recharge est lente ou mise en pause en raison d'une température élevée. La recharge reprendra automatiquement.
	Orange (clignotant)	La session de recharge a échoué. Déconnectez le véhicule et réessayez.

### 5.3. Maintenance par l'utilisateur

L'utilisateur de la borne de recharge est responsable de l'état de la borne de recharge, de ce fait, la législation concernant la sécurité des personnes, des animaux et du bien doit être respectée, ainsi que les réglementations sur l'installation en vigueur dans le pays où elle est utilisée. Faites régulièrement contrôler la borne de recharge et son installation par un électricien qualifié et en accord avec les réglementations sur l'installation applicables dans votre pays.

#### DANGER

Si la borne de recharge est exposée de manière prolongée à l'eau, il existe un risque de choc électrique, qui entraînera des blessures graves, voire la mort.

- Ne nettoyez jamais la borne de recharge avec un jet d'eau sous pression.
- Ne plongez pas le pistolet de recharge dans du liquide.

#### ATTENTION

N'utilisez pas de nettoyants chimiques ou de solvants agressifs pour nettoyer la borne de recharge.

1. Retirez la saleté et les matières organiques naturelles de l'extérieur de la borne de recharge en utilisant un chiffon doux propre. Assurez-vous que l'affichage, l'anneau LED et le capteur de lumière sont propres.
2. Vérifiez à vue d'œil la borne de recharge, le câble de recharge et le pistolet de recharge. Si vous suspectez que la borne de recharge, le câble ou le pistolet sont endommagés ou sales, contactez un électricien qualifié pour réparer ou remplacer les composants endommagés.
3. Tirez délicatement sur la borne de recharge pour s'assurer qu'elle est toujours installée. Assurez-vous que la coque externe de la borne est fixée. Si la borne de recharge ou la coque ne sont pas bien fixées, contactez un électricien qualifié pour réinstaller correctement la borne.

### 5.4. Connectez-vous à la borne de recharge

En utilisant un smartphone, une tablette ou un ordinateur portable équipé(e) de Wi-Fi, l'utilisateur peut se connecter à la borne de recharge pour modifier les paramètres tels que ceux du Wi-Fi et visualiser les licences logicielles. Pour obtenir des instructions, consultez [help.evbox.com](http://help.evbox.com).



## 6. Dépannage

### DANGER

L'entretien et la réparation de la borne de recharge réalisés par une personne non qualifiée impliquent un risque de choc électrique, qui entraînera des blessures graves, voire la mort.

- Seul un électricien qualifié est autorisé à entretenir ou à réparer la borne de recharge.
- L'utilisateur ne doit pas essayer de réaliser l'entretien ou de réparer la borne de recharge, car elle contient des pièces ne pouvant pas être réparées par l'utilisateur.

### 6.1. Indication d'erreur

Anneau LED	Couleur	Description de l'état	Action
	Rouge (fixe)	Une erreur s'est produite.	Suivez les instructions affichées à l'écran.
	Arrêt	L'alimentation électrique est défectueuse.	Vérifiez l'alimentation électrique de la borne. Réinitialisez la MCB ou le RCD dans l'armoire électrique. Pour les bornes avec RCBO intégré, vérifiez si le RCBO est ouvert (voir <a href="#">Accéder au RCBO à la page 228</a> ).

### Remarque

Certains états d'erreur sont résolus en coupant puis en réallumant l'alimentation.

- Pour les bornes sans RCBO intégré, coupez l'alimentation puis rallumez-la au niveau de l'armoire électrique.
- Pour les bornes avec RCBO intégré, coupez l'alimentation puis rallumez-la à l'aide du RCBO (voir [Accéder au RCBO à la page 228](#)).

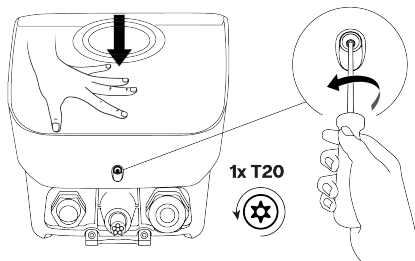
### 6.2. Accéder au RCBO

Cette procédure n'est applicable qu'aux bornes de recharge avec RCBO intégré. Le RCBO est accessible à travers un couvercle d'accès situé sur la coque interne. Avant de commencer cette procédure, assurez-vous que la borne de recharge est alimentée.

### Remarque

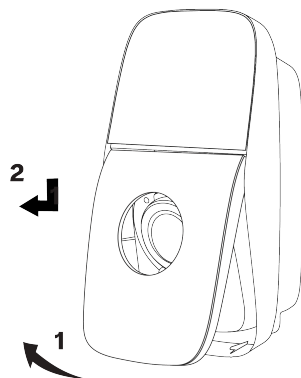
Toutes les vis de sécurité Torx T20 sont imperdables. Ne retirez pas complètement les vis imperdables de la borne de recharge.

1. Si un VE est connecté à la borne de recharge, déconnectez le VE.
2. Poussez la coque avant contre le ressort, puis desserrez une vis imperdable de sécurité Torx T20 fixant la coque avant sur la borne de recharge.



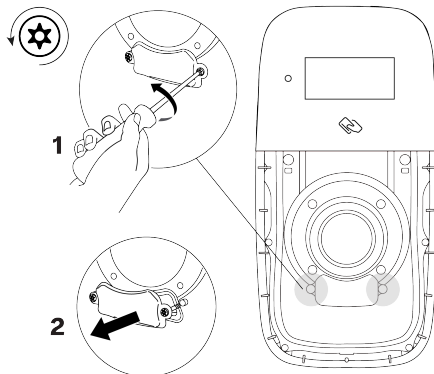
## 6. Dépannage

3. Pivotez la coque avant vers le haut, puis désengagez le bord supérieur de la coque du dessous du bord inférieur de la coque de l'affichage.



4. Desserrez deux vis imperdables de sécurité Torx T20. Retirez la coque du RCBO de la coque interne.

2x T20

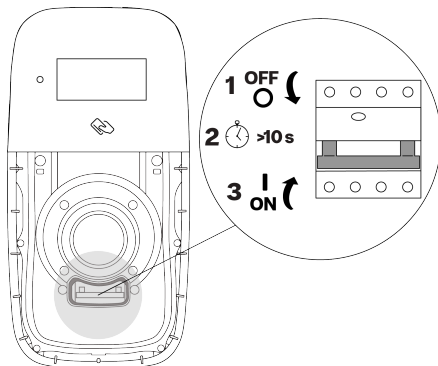


5. Pour éteindre et rallumer la borne de recharge, éteignez le RCBO, attendez 10 secondes, puis rallumez le RCBO.

L'anneau LED est blanc rotatif pour indiquer que la borne de recharge est en cours de démarrage. La borne de recharge est prête à recharger un VE lorsque l'anneau LED est vert constant.

### **i** Remarque

Les RCBO de type B sont installés à l'envers dans les bornes de recharge. Si la borne de recharge est équipée d'un RCBO de type B, les sens de marche et d'arrêt sont inversés.

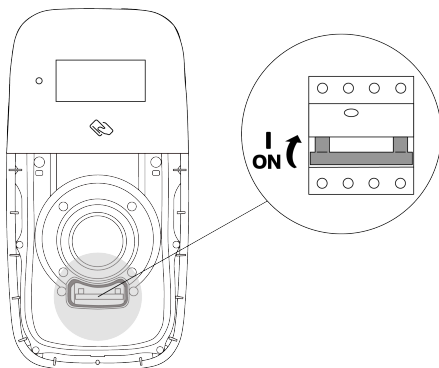


6. Pour un RCBO ouvert, déplacez le commutateur RCBO vers le bas.

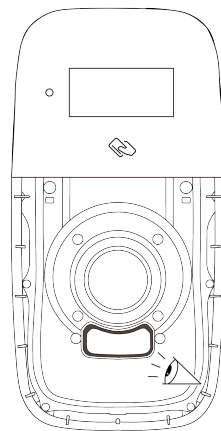
L'anneau LED est blanc rotatif pour indiquer que la borne de recharge est en cours de démarrage. La borne de recharge est prête à recharger un VE lorsque l'anneau LED est vert constant.

**i Remarque**

Les RCBO de type B sont installés à l'envers dans les bornes de recharge. Si la borne de recharge est équipée d'un RCBO de type B, les sens de marche et d'arrêt sont inversés.



7. Vérifiez que le joint de la coque interne est propre et non endommagé.

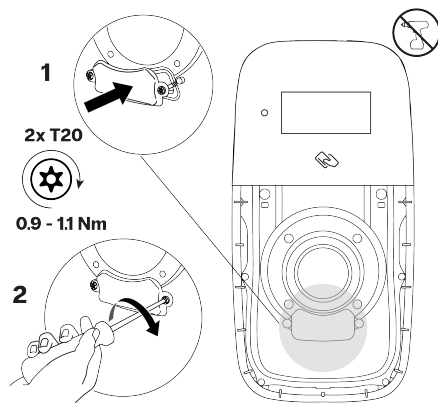


8. Installer la coque du RCBO sur la coque interne. Serrez deux vis imperdables de sécurité Torx T20.

**⚠ ATTENTION**

L'utilisation d'un tournevis électrique avec un couple élevé peut endommager les vis et les composants.

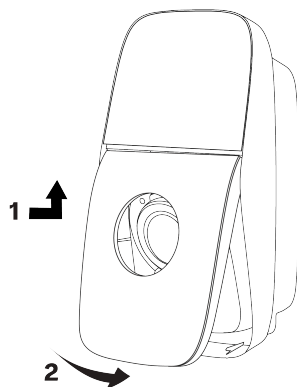
- Utilisez uniquement un tournevis à faible couple avec le bon réglage de couple.



9. Installez la coque avant comme ci-après :

## 7. Mise hors service

- a. Engagez le bord supérieur de la coque avant en dessous du bord inférieur de la coque de l'affichage, puis pivotez la coque vers le bas pour aligner le trou de vis inférieur.

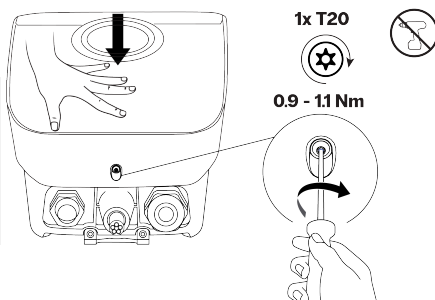


- b. Poussez la coque avant contre le ressort. Serrez la vis imperdable Torx T20 pour fixer la coque avant sur la borne de recharge.

### ⚠ ATTENTION



L'utilisation d'un tournevis électrique avec un couple élevé peut endommager les vis et les composants.

- Utilisez uniquement un tournevis à faible couple avec le bon réglage de couple.



## 7. Mise hors service

Démontez la borne de recharge et mettez-la au rebut conformément aux réglementations locales en vigueur concernant les déchets.

	Ne jetez pas cette borne de recharge avec les ordures ménagères. Au lieu de cela, apportez cette borne de recharge dans un point de collecte local pour les appareils électriques / électroniques afin d'en permettre le recyclage, et d'éviter ainsi les impacts négatifs et dangereux sur l'environnement. Demandez à votre mairie ou aux collectivités locales.
	Le recyclage des matériaux permet de réutiliser des matières premières, conserve de l'énergie et contribue considérablement à protéger l'environnement.



FR

Cet appareil et ses accessoires se recyclent

À DÉPOSER EN MAGASIN



À DÉPOSER EN DÉCHÈTERIE



OU

Points de collecte sur [www.quefairedemesdechets.fr](http://www.quefairedemesdechets.fr)  
Privilégiez la réparation ou le don de votre appareil !

## 8. Annexe

### 8.1. Glossaire

Abréviation	Signification
1P	Alimentation monophasée (entrée et sortie). L'indice de la borne est indiqué au bas de la borne.
3P	Alimentation triphasée (entrée et sortie). L'indice de la borne est indiqué au bas de la borne.
CA	Courant alternatif.

Abréviation	Signification
CMP	Plateforme de gestion des bornes de recharge (CMP). La Plateforme backend qui relie la borne de recharge à l'opérateur de charge.
CPO	Opérateur de charge. Le propriétaire et/ou l'exploitant de l'installation de la borne de recharge.
DSO	Distribution System Operator (Opérateur de système de distribution). L'opérateur responsable du réseau d'alimentation électrique.
ESD	Décharge électrostatique.
VE	Véhicule électrique.
IK	Protection contre les chocs.
IP	Protection contre la pénétration.
RF	Communication radiofréquence.
LAN	Réseau de zone locale.
LED	Diode électroluminescente.
MCB	Disjoncteur miniature.
OCP	Protocole ouvert de point de charge.
PE	Terre protectrice ou masse.
Disjoncteur différenciel (RCBO)	Disjoncteur de courant résiduel avec protection contre les surintensités.
RCD	Dispositif de courant résiduel.

## 8.2. Déclaration de conformité de l'UE

EVBox B.V. déclare que le type d'équipement radio EVBox Liviqo est conforme à la directive 2014/53/EU. Le texte intégral de la Déclaration de conformité de l'UE est disponible sur [help.evbox.com](http://help.evbox.com).

### Informations réglementaires

Technologie	Bandes de fréquence	Puissance de sortie max.
GSM 900	890 MHz – 915 MHz	27,77 dBm
GSM 1800	1 710 MHz - 1 785 MHz	24,77 dBm
LTE Bande 3	1 710 MHz - 1 785 MHz	28,48 dBm
LTE Bande 8	880 MHz – 915 MHz	28,48 dBm
LTE Bande 20	832 MHz – 862 MHz	28,48 dBm
LTE Bande 28	703 MHz – 748 MHz	28,48 dBm
WLAN (802.11b/g/n)	2412 MHz – 2484 MHz	16,79 dBm
WLAN (802.11a/n)	5 150 MHz – 5 250 MHz	16,63 dBm
WLAN (802.11a/n)	5 725 MHz – 5 850 MHz	11,46 dBm
RFID	13,56 MHz	19,00 dBm



# EVBox Liviqo

## Cable



# Indice

1. Introduzione	237
1.1. Ambito del manuale	237
1.2. Simboli utilizzati all'interno del manuale	237
1.3. Icone utilizzate all'interno del manuale	237
1.4. Certificazione e conformità	238
2. Sicurezza	238
2.1. Precauzioni di sicurezza	238
2.2. Precauzioni per lo spostamento e lo stoccaggio	240
3. Caratteristiche prodotto	241
3.1. Descrizione	241
3.2. Specifiche tecniche	241
3.3. Componenti forniti	243
4. Istruzioni di installazione	243
4.1. Preparazione dell'installazione	243
4.1.1. Piano di installazione	243
4.1.2. Utensili necessari	245
4.1.3. Requisiti di alimentazione	245
4.1.4. Opzionale: distribuzione bilanciata della ricarica dinamica	248
4.1.5. Opzionale: distribuzione bilanciata della ricarica in cluster	248
4.1.6. Solo per i Paesi pertinenti: controllo remoto alimentazione ad opera di DSO	250
4.2. Disimballaggio	250
4.3. Installare la staffa da parete e la stazione di ricarica	252
4.4. Collegare il cavo di alimentazione	254
4.5. Comunicazione con la stazione di ricarica	260
4.5.1. Passare i cavi di comunicazione	261
4.5.2. Opzionale: collegare il cavo Ethernet per Internet	262
4.5.3. Opzionale: installare la scheda SIM per Internet	263
4.5.4. Opzionale: collegare il cavo di distribuzione bilanciata della ricarica	264
4.5.5. Solo per i Paesi pertinenti: collegare un cavo per il controllo remoto dell'alimentazione	264
4.5.6. Serrare il passacavi	265
4.6. Installare i coperchi della stazione di ricarica	266
4.7. Configurazione	270
4.7.1. Configurare la stazione di ricarica	270
4.7.2. Opzionale: attivare la stazione di ricarica con la CMP	271
4.7.3. Pronta per l'uso	271
5. Istruzioni per l'uso	271
5.1. Avvio e interruzione di una sessione di ricarica	271
5.2. Indicazione di stato	272
5.3. Manutenzione da parte dell'utente	273
5.4. Accedere alla stazione di ricarica	273
6. Risoluzione dei problemi	274
6.1. Indicazione di errore	274
6.2. Accedere all'RCBO	274
7. Messa fuori servizio	277
8. Appendice	277
8.1. Glossario	277



# 1. Introduzione

Il presente manuale d'uso e installazione illustra come installare la stazione di ricarica e renderla pronta all'uso. Leggere con attenzione le informazioni in materia di sicurezza prima di iniziare.

## 1.1. Ambito del manuale

Le istruzioni di installazione e configurazione contenute nel presente manuale si rivolgono a installatori qualificati che possono svolgere il lavoro e identificare potenziali pericoli.

Le istruzioni per l'utente si rivolgono agli utenti della stazione di ricarica.

Conservare tutta la documentazione fornita con la stazione di ricarica in un luogo sicuro per l'intero ciclo di vita del prodotto. Trasmettere tutta la documentazione ai successivi proprietari o utilizzatori del prodotto.

Tutti i manuali EVBox possono essere scaricati da [evbox.com/manuals](http://evbox.com/manuals).

### Dichiarazione di esclusione di responsabilità

Il presente documento è redatto a scopo puramente informativo e non costituisce un'offerta o un contratto vincolante con EVBox. Il presente documento è stato compilato da EVBox al meglio delle sue conoscenze. Nessuna garanzia espressa o implicita viene fornita ai fini di specifici scopi di completezza, esattezza, affidabilità o idoneità del contenuto e dei prodotti e servizi qui presentati. Le specifiche e i dati sulle prestazioni fanno riferimento a valori intermedi che rientrano all'interno dei margini di tolleranza esistenti e potranno essere soggetti a eventuali modifiche senza obbligo di preavviso. EVBox dichiara di non assumersi alcuna responsabilità derivante da qualsiasi danno diretto o indiretto, in senso più ampio del termine, derivante da, o correlato all'uso o all'interpretazione di questo documento.

© EVBox. Tutti i diritti riservati. Il nome EVBox e il logo EVBox sono marchi di EVBox B.V o di una delle sue affiliate. Nessuna parte di questo documento può essere modificata, riprodotta, elaborata o distribuita in qualsiasi forma o con qualsiasi mezzo senza il previo consenso scritto di EVBox.

EVBox Manufacturing B.V.

Kabelweg 47

1014 BA Amsterdam

Paesi Bassi

[help.evbox.com](http://help.evbox.com)

## 1.2. Simboli utilizzati all'interno del manuale

### Simboli utilizzati all'interno del manuale

#### PERICOLO

Indica una situazione di pericolo imminente, con un alto livello di rischio che, nel caso in cui il pericolo non sia evitato, causerà morte o lesioni gravi.

#### AVVERTENZA

Indica una situazione di pericolo potenziale, con un moderato livello di rischio che, nel caso in cui non sia rispettata l'avvertenza, può causare morte o lesioni gravi.

#### AVVERTENZA

Indica una situazione di pericolo potenziale, con un medio livello di rischio che, nel caso in cui non sia rispettata l'indicazione di attenzione, potrebbe causare lesioni lievi o moderate o danni all'apparecchiatura.

#### Nota

Le note contengono suggerimenti utili o riferimenti a informazioni non contenute nel presente manuale.

1., a. o i. Azione da seguire nell'ordine indicato.

## 1.3. Icone utilizzate all'interno del manuale



Scegliere una funzionalità



Installatore



Utente



Controllo visivo

Da utilizzare solo  
in ambienti asciuttiNon utilizzare un  
cacciavite elettrico

Alimentazione CA

## 14. Certificazione e conformità

	La stazione di ricarica ha ottenuto la certificazione CE dal produttore e presenta il logo CE. La relativa dichiarazione di conformità può essere ottenuta dal produttore.
	Gli apparecchi elettrici ed elettronici, compresi gli accessori, devono essere smaltiti separatamente dai rifiuti solidi urbani generali.
	Il riciclo dei materiali consente di risparmiare materie prime ed energia e contribuisce in modo significativo alla tutela dell'ambiente.



FR

Cet appareil  
et ses accessoires  
se recyclentÀ DÉPOSER  
EN MAGASINÀ DÉPOSER  
EN DÉCHÈTERIE

OU

Points de collecte sur [www.quefairedemesdechets.fr](http://www.quefairedemesdechets.fr)  
Privilégiez la réparation ou le don de votre appareil !

### Nota

Per la dichiarazione di conformità di questo prodotto, vedere [Dichiarazione di conformità UE a pagina 278](#).

## 2. Sicurezza

### 2.1. Precauzioni di sicurezza

#### PERICOLO

La mancata osservanza delle istruzioni di installazione e d'uso fornite nel presente manuale comporta il rischio di scosse elettriche, lesioni gravi o morte.

- Leggere il presente manuale prima di installare o utilizzare la stazione di ricarica.

#### PERICOLO

L'esecuzione dell'installazione, dei servizi di manutenzione e riparazione e il riposizionamento di questa stazione di ricarica da parte di personale non qualificato può comportare il rischio di scosse elettriche, di lesioni gravi o morte.

- Solamente un elettricista qualificato è autorizzato a eseguire l'installazione, i servizi di manutenzione e riparazione e riposizionare la stazione di ricarica.
- L'utente non deve effettuare interventi di manutenzione o riparare la stazione di ricarica, in quanto non contiene parti riparabili dall'utente.
- Possono essere applicabili normative locali, che possono variare a seconda della regione o del Paese di utilizzo. L'elettricista qualificato deve sempre assicurarsi che la stazione di ricarica sia installata secondo le normative locali.

#### PERICOLO

Il lavoro su installazioni elettriche senza precauzioni adeguate determinerà il rischio di scossa elettrica che, a sua volta, può causare lesioni o morte.

- Disattivare l'alimentazione in ingresso prima di installare la stazione di ricarica.
- Non accendere la stazione di ricarica se non è completamente installata o fissata.
- Non installare una stazione di ricarica difettosa o con un problema evidente.

### PERICOLO

Un'esposizione prolungata della stazione di ricarica all'acqua determinerà il rischio di scossa elettrica, che a sua volta può causare lesioni o morte.

- Non indirizzare forti getti d'acqua verso la stazione di ricarica o sulla stessa.
- Non immergere il connettore di carica in un liquido.

### PERICOLO

La messa in funzione della stazione di ricarica nel caso in cui sia danneggiata o usurata determinerà il rischio di scossa elettrica, che a sua volta può causare lesioni o morte.

- Non mettere in funzione la stazione di ricarica se l'alimentazione, l'involucro o un connettore EV sono rotti, crepati, aperti o evidenziano qualsiasi altro danno.
- Non utilizzare la stazione di ricarica se il cavo di ricarica è sfilacciato, presenta difetti di isolamento o altri segni di danneggiamento.
- In caso di pericolo e/o incidente, scollegare immediatamente l'alimentazione elettrica della stazione di ricarica.
- Se si sospetta che la stazione di ricarica sia danneggiata, rivolgersi all'installatore.

### AVVERTENZA

L'installazione della stazione di ricarica in condizioni ambientali umide (ad esempio, pioggia o nebbia) può comportare il rischio di scosse elettriche e danni al prodotto, con conseguenti lesioni gravi o morte.

- Non installare o aprire la stazione di ricarica in condizioni ambientali umide (ad esempio, pioggia o nebbia).

### AVVERTENZA

Un uso scorretto della stazione di ricarica comporta il rischio di scosse elettriche, che può causare lesioni o la morte.

- Prima di iniziare una ricarica, assicurarsi che l'area di contatto del connettore di carica sia priva di sporcizia e umidità.
- Assicurarsi che il cavo di ricarica sia posizionato in modo da non essere calpestato, urtato, trascinato o altrimenti sottoposto a forza eccessiva o danneggiato. Se del caso, assicurarsi che il cavo di ricarica sia correttamente riposto quando non è in uso, facendo attenzione che il connettore di ricarica non tocchi il suolo.
- Afferrare solo l'impugnatura del connettore di ricarica e mai il cavo di ricarica stesso.
- Tenere la stazione di ricarica, il cavo di ricarica e il connettore di ricarica lontani da fonti di calore, sporco e acqua.
- Non utilizzare sostanze esplosive o facilmente infiammabili nei pressi della stazione di ricarica.

### AVVERTENZA

L'uso di adattatori, adattatori di conversione o prolunghie insieme alla stazione di ricarica può causare incompatibilità tecniche e danni alla stazione di ricarica, con conseguenti lesioni o morte.

- Utilizzare la stazione di ricarica solo per caricare i veicoli elettrici compatibili. Per maggiori dettagli, fare riferimento alle specifiche della stazione di ricarica contenute nel manuale della stazione di ricarica.
- Consultare il manuale utente del veicolo per verificarne la compatibilità.

### AVVERTENZA

L'esposizione della stazione di ricarica o del cavo di ricarica al calore o a sostanze infiammabili può causare danni alla stazione di ricarica, con conseguenti lesioni o morte.

- Assicurarsi che la stazione di ricarica e il cavo di ricarica non entrino mai in contatto con fonti di calore.
- Non utilizzare sostanze esplosive o facilmente infiammabili nei pressi della stazione di ricarica.

### AVVERTENZA

L'uso della stazione di ricarica in condizioni non specificate nel presente manuale può causare danni alla stazione di ricarica, con conseguenti lesioni o morte.

- Utilizzare la stazione di ricarica esclusivamente nelle condizioni operative specificate nel presente manuale.

**⚠ AVVERTENZA**

Lavorare su installazioni elettriche senza dispositivi di protezione individuale può causare il rischio di lesioni.

- Utilizzare dispositivi di protezione individuali come dispositivi di protezione per gli occhi, guanti resistenti al taglio e scarpe antinfortunistiche e antiscivolo per evitare danni alla persona.

**⚠ AVVERTENZA**

In caso di incendio, la mancata osservanza delle istruzioni antincendio può comportare un aumento del pericolo, con conseguenti lesioni o morte.

- Quando è possibile farlo in condizioni di sicurezza, scollegare l'alimentazione elettrica dell'apparecchiatura in fiamme o a rischio di incendio.
- Non utilizzare acqua per spegnere gli impianti elettrici e le apparecchiature con un'alimentazione elettrica sotto tensione.
- Per spegnere un incendio in una stazione di ricarica, utilizzare un estintore adatto all'uso su apparecchiature elettriche con una potenza fino a 1 kV.

**⚠ AVVERTENZA**

Eeguire la ricarica di un veicolo elettrico senza che il cavo di ricarica sia completamente disteso può causare il surriscaldamento del cavo, con conseguenti danni alla stazione di ricarica.

- Prima di collegare il cavo di ricarica al veicolo, srotolare completamente il cavo di ricarica in modo che non presenti nodi sovrapposti.

**⚠ AVVERTENZA**

Inserire le dita o altri oggetti nella porta del connettore (es. durante la pulizia) può causare lesioni alla persona o danni alla stazione di ricarica.

- Non infilare le dita nella porta del connettore.
- Non lasciare oggetti all'interno della porta del connettore.

**⚠ AVVERTENZA**

La mancata adozione di precauzioni contro le scariche elettrostatiche (ESD) può danneggiare i componenti elettronici della stazione di ricarica.

- Prima di toccare i componenti elettronici, prendere le precauzioni necessarie nei confronti delle ESD.

**⚠ AVVERTENZA**

La mancata attivazione degli aggiornamenti del firmware per questa stazione di ricarica, così come la disattivazione, l'esclusione o la mancata installazione degli aggiornamenti del firmware disponibili possono causare problemi alla stazione di ricarica, errori di funzionamento e rischi per la sicurezza.

## 2.2. Precauzioni per lo spostamento e lo stoccaggio

Per lo spostamento e lo stoccaggio della stazione di ricarica, rispettare le seguenti linee guida:

- Non sollevare mai la stazione di ricarica utilizzando il relativo cavo di ricarica.
- Prima di rimuovere la stazione di ricarica per lo stoccaggio o il trasferimento, scollegare l'alimentazione in ingresso.
- Trasportare e conservare la stazione di ricarica nel suo imballaggio originale. Nessuna responsabilità potrà essere imputata per eventuali danni subiti quando il prodotto è trasportato in imballaggio non originale.
- Conservare la stazione di ricarica in un ambiente asciutto nell'intervallo di temperatura e umidità indicato nelle specifiche tecniche (cfr. [Specifiche tecniche a pagina 241](#)).



## 3. Caratteristiche prodotto

### 3.1. Descrizione

#### 1. Stazione di ricarica

La stazione di ricarica eroga in totale sicurezza l'energia elettrica dalla rete al veicolo elettrico.

#### 2. Display

Il display guida l'utente attraverso la procedura e mostra le informazioni relative alla sessione di ricarica.

#### 3. Sensore luminoso e sensore di prossimità

Il sensore luminoso misura l'intensità della luce per regolare automaticamente la luminosità del display e dell'anello LED. Il sensore di prossimità accende il display quando qualcuno si avvicina alla stazione di ricarica.

#### 4. Lettore RFID

Questa è l'area in cui si esegue la scansione della carta elettronica per la ricarica o del portachiavi per avviare o interrompere la sessione di ricarica.

#### 5. Anello LED

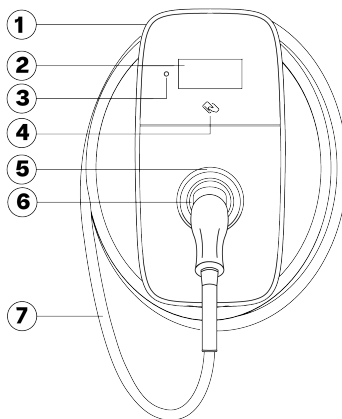
L'anello LED indica lo stato della stazione di ricarica.

#### 6. Supporto

Il supporto ospita il connettore del cavo di ricarica quando questo non viene utilizzato.

#### 7. Cavo di ricarica

Il cavo di ricarica collega la stazione di ricarica al veicolo elettrico. Il cavo di ricarica viene ripositionato attorno alla stazione quando non è in uso.



### 3.2. Specifiche tecniche

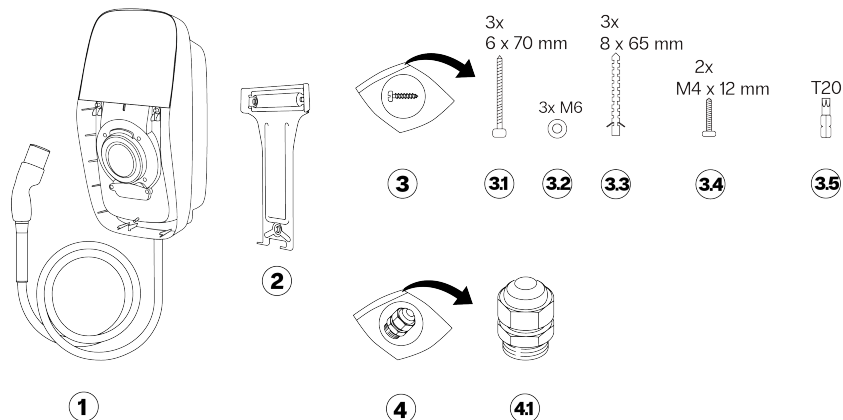
Caratteristica	Descrizione
<b>Proprietà elettriche</b>	
Velocità di ricarica massima	Fino a 22 kW (trifase, 32 A) <b>i</b> Nota Può verificarsi un derating. La velocità di ricarica dipende da fattori quali la quantità di energia richiesta dal veicolo, l'alimentazione disponibile e la temperatura ambiente.
Modalità di ricarica	Modalità 3 (IEC 61851-1)
Cavo di ricarica fisso	Connettore di tipo 2 (IEC 62196-1, IEC 62196-2)
Lunghezza del cavo di ricarica	6 m
Contatore kWh	Omologato MID con classe di precisione (EN-50470) Contatore conforme alla normativa Eichrecht <sup>(1)</sup>
Capacità in ingresso	6 - 32 A configurabile Monofase, 230 V $\pm 10\%$ , massimo 32 A $\pm 6\%$ , 50/60 Hz Trifase, 400 V $\pm 10\%$ , massimo 32 A $\pm 6\%$ , 50/60 Hz
Diametro della guaina del cavo di alimentazione	12-25 mm

Caratteristica	Descrizione
Calibro del cavo di alimentazione	Cavo rigido: massimo 16 mm <sup>2</sup> Filo a trefoli con terminale a crimpare (senza guaina di plastica): massimo 10 mm <sup>2</sup>
Tensione nominale di tenuta a impulso (U <sub>imp</sub> )	4000 V
Tensione di isolamento nominale (U <sub>i</sub> )	250 V CA (da fase a massa) 450 V CA (da fase a fase)
Rilevamento dispersione elettrica	I tempi e i limiti di intervento sono conformi alla norma IEC 61851-1:2017 Cl. 8.5. ( ai sensi della norma IEC 62955:2018 Tabella 2). Vedere <a href="#">Requisiti di alimentazione a pagina 245</a> . RCBO: tipo A o tipo B
<b>Classe di sicurezza e ambiente</b>	
Intervallo temperatura operativa	Da -30 °C a +50 °C
Intervallo di temperatura di stoccaggio	Da -40 °C a +80 °C
Umidità (non condensante)	Dal 5% al 95%
Altitudine di installazione massima	2000 m sopra il livello del mare
Codici degli involucri	IP55 (IEC 60529), IK10 (IEC 62262)
Classe di sicurezza	Classe di sicurezza I e categoria di sovratensione III
Grado di inquinamento del macroambiente	Grado di inquinamento 3
Classificazione della compatibilità elettromagnetica (EMC)	Ambiente A e Ambiente B (in conformità alla norma IEC 61439-1)
Resistenza meccanica per montaggio fisso	Resistenza elevata
<b>Connettività</b>	
Autorizzazione	Lettore RFID o tramite app
Wi-Fi	2.4/5 GHz
Rete locale	Ethernet
Comunicazione cellulare	4G LTE-M (fallback 2G supportato)
Protocollo di comunicazione	OCPP 2.0.1
Funzionalità ricarica smart	Distribuzione bilanciata della ricarica, distribuzione bilanciata cluster, conforme a EEBus, ISO 15118 (predisposto per hardware)
<b>Proprietà fisiche</b>	
Dimensioni (L x A x P)	256 x 508 x 211 mm
Peso	Circa 8,4 kg
Materiale alloggiamento	Makrolon RE® a basso contenuto di carbonio
HMI	LCD IPS da 5" 800 x 480 WVGA, anello LED, cicalino, autorizzazione
<b>Certificazione e conformità</b>	
Ingresso di alimentazione	Apparecchiatura di alimentazione per veicoli elettrici collegata in modo permanente alla rete di alimentazione CA
Uscita di alimentazione	Apparecchiatura di alimentazione EV CA
Condizioni ambientali normali	Uso interno ed esterno
Accesso	Apparecchiatura per ambienti con accesso non limitato
Tipo di apparecchiatura	Apparecchiature fisse montate a muro o su palo

<sup>(1)</sup>Facoltativo.

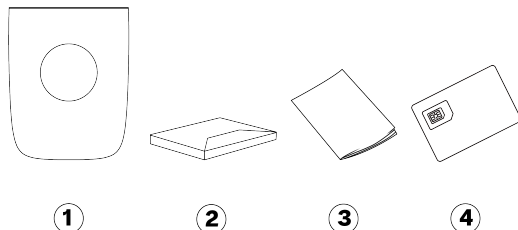
### 3.3. Componenti forniti

#### Componenti presenti nell'imballaggio della stazione di ricarica



- |     |   |     |  |
|-----|---|-----|--|
| 1   | Stazione di ricarica con cavo di ricarica | 3.3 | Connettori a parete, 8x65 mm, x 3                        |
| 2   | Staffa da parete                          | 3.4 | Viti, M4x12 mm, T20, x 2                                 |
| 3   | Kit di installazione                      | 3.5 | Bit Torx, T20 di sicurezza                               |
| 3.1 | Viti per pannelli, 6x70 mm, T20, x 3      | 4   | Kit passacavi  |
| 3.2 | Rondelle, M6, x 3                         | 4.1 | Passacavi, 12-20 mm, con guarnizione e tappo di chiusura |

#### Componenti nell'imballaggio del coperchio



- |   |                                    |   |                               |
|---|------------------------------------|---|-------------------------------|
| 1 | Coperchio anteriore                | 3 | Manuale d'uso e installazione |
| 2 | Pacchetto di benvenuto (opzionale) | 4 | Scheda SIM (opzionale)        |

## 4. Istruzioni di installazione

### 4.1. Preparazione dell'installazione

#### 4.1.1. Piano di installazione

Le seguenti raccomandazioni consentono di pianificare l'installazione della stazione di ricarica.

#### Scelta della posizione

- Posizionare la stazione di ricarica, ove possibile, in una posizione in cui non sia esposta alla luce solare diretta o non sia vulnerabile a danni esterni.
- La parete deve essere piatta e in grado di sostenere un carico di almeno 100 kg.
- Lo spazio libero minimo intorno alla stazione di ricarica deve essere di 300 mm.
- La posizione non deve comportare curve strette per il cavo di ricarica.
- Il cavo di alimentazione può entrare nella stazione di ricarica dall'alto o dal basso. L'ingresso del cavo inferiore A può essere utilizzato in qualsiasi ambiente. L'ingresso superiore del cavo B deve essere utilizzato

solo in un luogo in cui non vi sia il rischio di esposizione a pioggia o umidità.

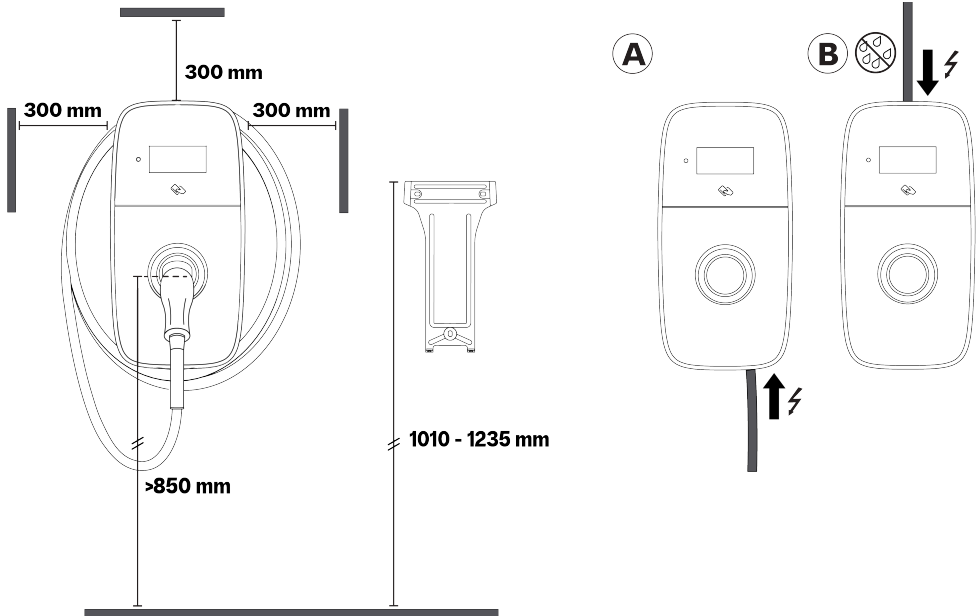
**⚠ AVVERTENZA**

Quando l'ingresso superiore del cavo B viene utilizzato all'aperto vi è il rischio di infiltrazioni d'acqua. Nel corso di un lungo periodo di tempo, pioggia e umidità possono penetrare lungo il cavo di alimentazione, danneggiando la stazione di ricarica.

- L'ingresso del cavo di comunicazione avviene solo attraverso la parte inferiore della stazione di ricarica.

**i Nota**

L'illustrazione seguente mostra l'altezza di installazione minima raccomandata. Osservare e rispettare la normativa locale sull'accessibilità.

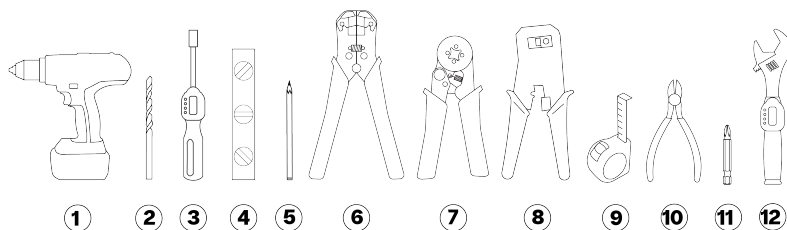


### Lista di controllo pre-installazione

Prima procedere con l'installazione della stazione di ricarica, verificare quanto segue:

- L'installazione sarà conforme alla norma IEC 60364 e a tutte le norme locali applicabili.
- Tutti i permessi necessari sono stati ottenuti dall'autorità locale competente.
- Il carico elettrico esistente è stato calcolato per trovare la corrente massima di esercizio per l'installazione della stazione di ricarica.
- Nelle stazioni di ricarica senza RCBO, a monte sono installati un interruttore magnetotermico miniaturizzato (MCB) e un interruttore differenziale (RCD) con le caratteristiche raccomandate. Vedere [Requisiti di alimentazione a pagina 245](#).
- Il cavo di alimentazione con le specifiche corrette è stato posato nell'area di installazione e la lunghezza del cavo è sufficiente per spellare e collegare i fili.
- Durante l'installazione e a seguito della stessa, il cavo di alimentazione rientrerà nei limiti di tolleranza di curvatura.
- Gli utensili raccomandati sono disponibili in loco. Vedere [Utensili necessari a pagina 245](#).
- I tasselli, le viti e le punte utilizzate per l'installazione della stazione di ricarica sono adatti alla struttura della parete.
- Se si utilizza una configurazione a cluster, si pianifica l'ordine di fase corretto e si soddisfano i requisiti. Vedere [Opzionale: distribuzione bilanciata della ricarica in cluster a pagina 248](#).

4.1.2. Utensili necessari



- |  |   |
|--|---|
| 1. Trapano   | 7. Utensile per la crimpatura dei puntali |
| 2. Punta per muratura, 8 mm                          | 8. Spelafili e crimpatrice (RJ45)         |
| 3. Cacciavite dinamometrico con portabit, 0,5 - 3 Nm | 9. Metro a nastro                         |
| 4. Livella a bolla d'aria                            | 10. Tagliacavi                            |
| 5. Matita  | 11. Punta per cacciavite, PH2             |
| 6. Pinza spelafili (cavo di alimentazione)           | 12. Chiave dinamometrica, 3 - 6 Nm        |

4.1.3. Requisiti di alimentazione

**PERICOLO**

Il collegamento della stazione di ricarica a un'alimentazione elettrica di tipo diverso da quello indicato nella presente sezione causerà l'incompatibilità dell'installazione, scosse elettriche, danni alla stazione di ricarica, lesioni o morte.

- Collegare la stazione di ricarica solo in una configurazione specificata in questa sezione.

Sistema di messa a terra	Sistemi TN-S e TNC-S	Cavo PE.
	Sistema TT Sistema IT	Elettrodo della messa a terra installato separatamente (da installare autonomamente).
Potenza in ingresso (fase)	Monofase	230 V ± 10%, fino a 32 A ±6%, 50/60 Hz.
	Trifase	400 V ± 10%, fino a 32 A ±6%, 50/60 Hz.
MCB (Interruttore in miniatura)	<ul style="list-style-type: none"> <li>• Caratteristica di intervento: tipo C.</li> <li>• La corrente di intervento dell'MCB può diminuire se la temperatura ambiente dell'armadio di alimentazione diventa elevata. Nella scelta delle specifiche dell'MCB, tenere conto di potenziali temperature ambiente più elevate.</li> <li>• Non necessario per le stazioni con RCBO integrato.</li> </ul>	
	<p><b>Nota</b></p> <ul style="list-style-type: none"> <li>• L'installazione, incluso l'MCB, deve essere conforme alla norma IEC 60364 e a tutte le norme locali applicabili.</li> <li>• L'interruttore MCB deve corrispondere alle impostazioni di amperaggio della stazione di ricarica e alla corrente massima disponibile per la stazione, nel rispetto delle specifiche del produttore dell'MCB.</li> <li>• Il valore I<sup>2</sup>t massimo dell'MCB non deve superare i 75000 A<sup>2</sup>s.</li> </ul>	

IT

Dispositivo a corrente residua (Residual Current Device, RCD)	<ul style="list-style-type: none"> <li>Amperaggio nominale dell'interruttore differenziale: il valore deve corrispondere all'amperaggio della stazione di ricarica.</li> <li>Installazione standard:           <ul style="list-style-type: none"> <li>Per la Francia, l'interruttore differenziale deve essere di tipo B con una corrente nominale di 20 A o 40 A e deve rilevare una corrente di dispersione massima di 30 mA CA.</li> <li>Per gli altri Paesi, l'interruttore differenziale deve essere di tipo A, F o B con una corrente nominale di 20 A, 32 A o 40 A e con un rilevamento della corrente di dispersione in CA di 30 mA al massimo.</li> </ul> </li> <li>Impianti EV Ready: l'interruttore differenziale deve essere di tipo A+, ad alta immunità (ad esempio HPI, SI, HI, KV e altro ancora, a seconda del produttore).</li> <li>Non necessario per le stazioni con RCBO integrato.</li> </ul> <p><b>Nota</b></p> <ul style="list-style-type: none"> <li>L'installazione, incluso l'RCD, deve essere conforme alla norma IEC 60364 e a tutte le norme locali applicabili.</li> <li>La stazione di ricarica è dotata di un rilevamento interno delle perdite di corrente continua con tempi e limiti di intervento conformi alla norma IEC 61851-1:2017 Cl. 8.5. (ai sensi della norma IEC 62955:2018 Tabella 2).</li> </ul>
---	--

### Cablaggio dell'ingresso di alimentazione

Le tabelle seguenti illustrano come collegare l'alimentatore alla stazione di ricarica, a seconda del tipo di alimentatore e della configurazione della stazione.

#### **AVVERTENZA**

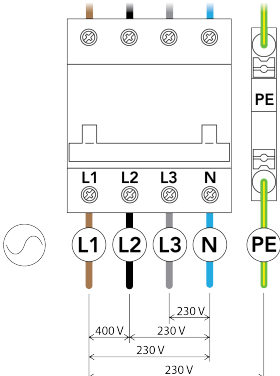
Il collegamento di un alimentatore IT (senza neutro) a un RCBO di tipo A incorporato può danneggiare la stazione di ricarica, causando lesioni o morte.

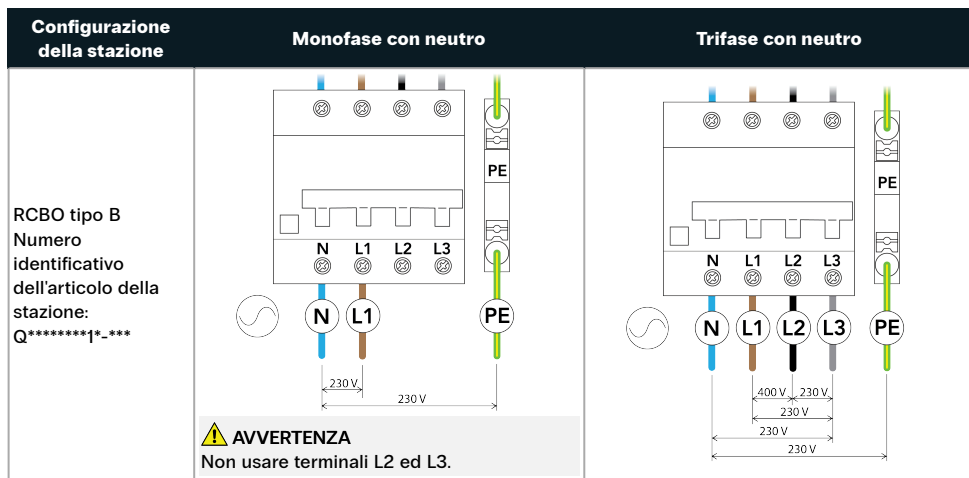
- Collegare solo un'alimentazione trifase TN o TT (con neutro) a un RCBO di tipo A incorporato.

### Alimentazione TN e TT all'RCBO

#### **Nota**

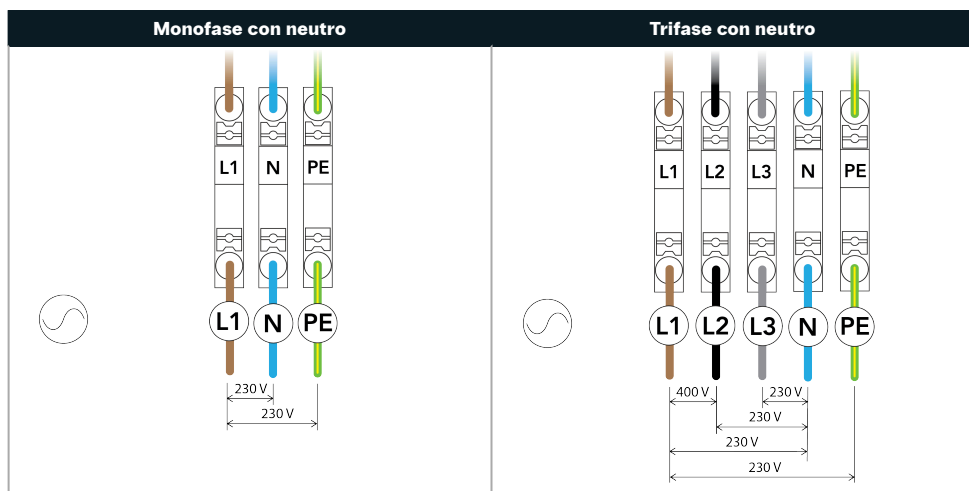
Questa sezione si applica solo a stazioni con RCBO integrato.

Configurazione della stazione	Monofase con neutro	Trifase con neutro
RCBO tipo A Numero identificativo dell'articolo della stazione: Q*****g*_***	<p><b>AVVERTENZA</b></p> <p>Non supportato. Non collegare un alimentatore monofase a una stazione con RCBO trifase con neutro.</p>	



**Alimentazione TN e TT**

**i Nota**  
Questa sezione si applica solo a stazioni senza RCBO integrato.

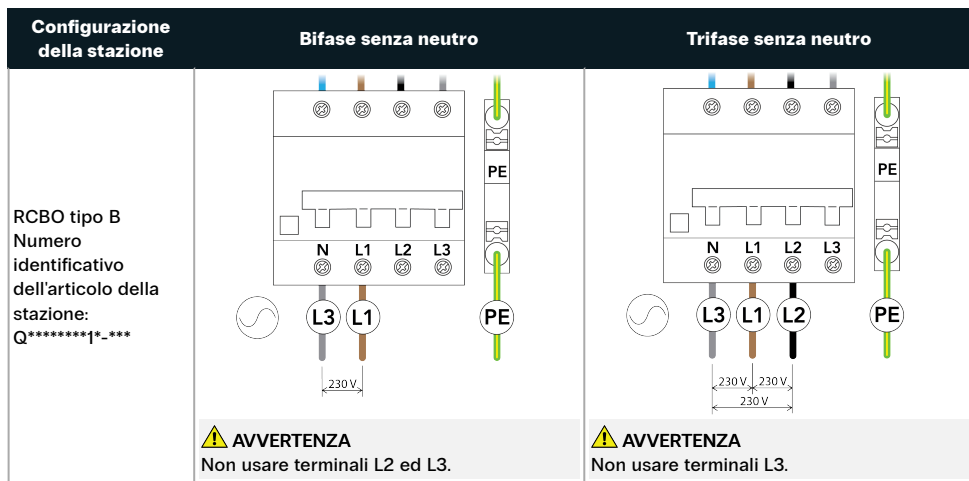


**Alimentazione IT (senza neutro) all'RCBO**

**AVVERTENZA**  
Assicurarsi che le normative locali consentano l'installazione di questa stazione di ricarica su una rete IT senza neutro. Assicurarsi che il veicolo elettrico sia compatibile con questo tipo di installazione.

**i Nota**  
Questa sezione si applica solo a stazioni con RCBO integrato.

IT



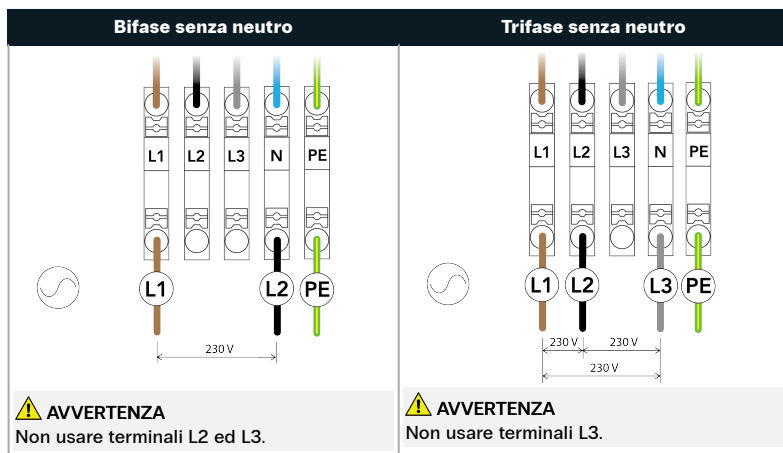
### Alimentazione IT (senza neutro)

#### ⚠ AVVERTENZA

Assicurarsi che le normative locali consentano l'installazione di questa stazione di ricarica su una rete IT senza neutro. Assicurarsi che il veicolo elettrico sia compatibile con questo tipo di installazione.

#### i Nota

Questa sezione si applica solo a stazioni senza RCBO integrato.



### 4.1.4. Opzionale: distribuzione bilanciata della ricarica dinamica

La distribuzione bilanciata della ricarica dinamica monitora il consumo di energia di tutte le apparecchiature elettriche che usano la stessa fonte di alimentazione. Il fornisce un segnale di controllo alla stazione di ricarica per regolare la potenza erogata quest'ultima al veicolo, in modo da mantenere il consumo totale di energia dalla sorgente di alimentazione entro limiti prestabiliti. In un'installazione in cluster, la stazione di collegamento regola le altre stazioni di ricarica collegate nel cluster.

La distribuzione bilanciata della ricarica dinamica richiede un ingresso cablato da un sistema di rilevamento della distribuzione bilanciata della ricarica (vedere [Comunicazione con la stazione di ricarica a pagina 260](#)).

### 4.1.5. Opzionale: distribuzione bilanciata della ricarica in cluster



## 4. Istruzioni di installazione

Un'installazione di distribuzione bilanciata della ricarica in cluster è costituita da più stazioni di ricarica collegate in un cluster. Un cluster consente di creare una smart grid nell'intero cluster per ottimizzare l'uso dell'energia. Come stazione di collegamento nel cluster è possibile utilizzare qualsiasi stazione. Il cluster è configurato tramite EVBox Install App. Per una corretta distribuzione bilanciata della ricarica, un cluster deve essere collegato a un unico circuito di alimentazione.

Per la distribuzione bilanciata della ricarica in cluster, ogni stazione del cluster deve essere connessa alla stessa rete locale (LAN) tramite una connessione Ethernet (vedere [Comunicazione con la stazione di ricarica a pagina 260](#)).

### Requisiti della distribuzione bilanciata della ricarica cluster

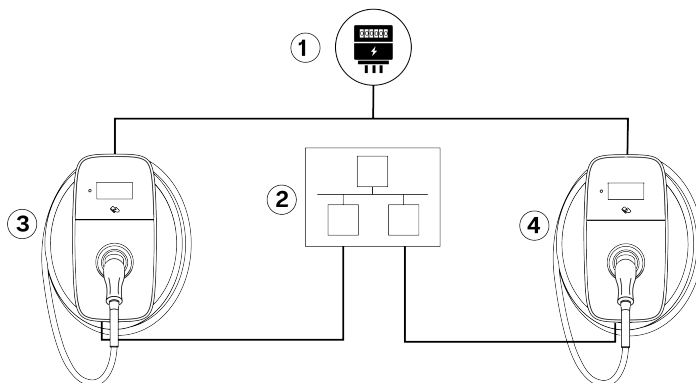
Switch Ethernet	<ul style="list-style-type: none"><li>• Supporto IPv6</li><li>• Non gestito</li><li>• Numero di porte: Il numero di porte deve essere uguale o superiore al numero di caricabatterie collegati al cluster.</li><li>• Porta RJ45</li><li>• 100 Mbps o superiore</li><li>• Multicasting statico: disabilitato</li><li>• Multicasting dinamico (MLD snooping): disabilitato</li></ul> <p><b>i Nota</b></p> <ul style="list-style-type: none"><li>◦ Per i cluster di grandi dimensioni, è possibile combinare due o più interruttori nella stessa rete.</li><li>◦ Se lo switch viene utilizzato per la connessione a Internet, è necessaria una porta aggiuntiva.</li></ul>
Cavi	<ul style="list-style-type: none"><li>• CAT5</li><li>• Lunghezza: 100 m di lunghezza massima per ogni nodo del cluster</li></ul>

### Schema elettrico

Lo schema seguente descrive il collegamento di più stazioni di ricarica in un cluster.

**i Nota**

Lo schema non include la connessione a Internet della stazione di ricarica. La connessione a Internet della stazione di ricarica può essere impostata tramite cellulare, Wi-Fi o Ethernet.



1. Alimentazione
2. Switch Ethernet

3. Caricatore CA 1
4. Caricatore CA N

### Rotazione di fase

Per evitare di sovraccaricare la prima fase con i veicoli elettrici monofase, l'ordine delle fasi per ogni stazione di

ricarica che si collega a un'alimentazione trifase in un'installazione Power-Sharing deve essere configurato utilizzando EVBox Install App.

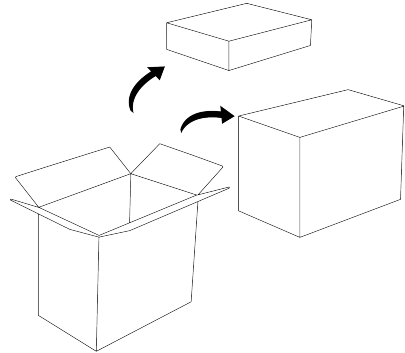
#### 4.1.6. Solo per i Paesi pertinenti: controllo remoto alimentazione ad opera di DSO

In base alle Regole tecniche di connessione VDE-AR-N-4100:2019-04 Cl. 10.6.4, una stazione di ricarica con una potenza nominale totale superiore a 12 kVA deve avere un'interfaccia di controllo remoto per consentire lo spegnimento da remoto della stazione ad opera dell'Operatore del sistema di distribuzione (DSO). Questa stazione di ricarica può essere collegata mediante cavo a un dispositivo DSO dotato di un relè Normalmente aperto (NO). Quando il relè si chiude, la stazione entra in uno stato di sospensione e la ricarica viene messa in pausa. La ricarica riprende quando il relè si apre. Vedere [Solo per i Paesi pertinenti: collegare un cavo per il controllo remoto dell'alimentazione a pagina 264](#) per le istruzioni di collegamento dei cavi.

Richiesta registrazione con il DSO.

## 4.2. Disimballaggio

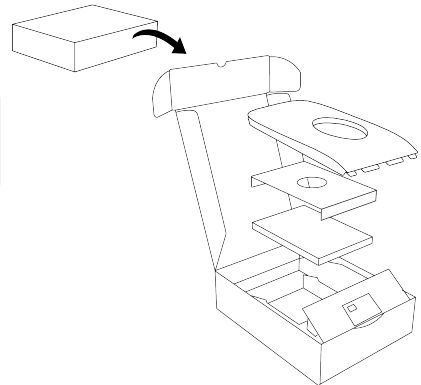
1. Aprire l'imballaggio. Rimuovere il contenitore del coperchio e quello della stazione di ricarica.



2. Aprire il contenitore del coperchio. Individuare il coperchio anteriore, il pacchetto di benvenuto (opzionale), la documentazione della stazione di ricarica e la scheda SIM (opzionale).

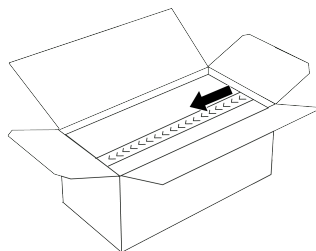
### Nota

Per evitare danni, lasciare il coperchio anteriore nella confezione fino al momento dell'installazione.



#### 4. Istruzioni di installazione

3. Aprire il contenitore della stazione.

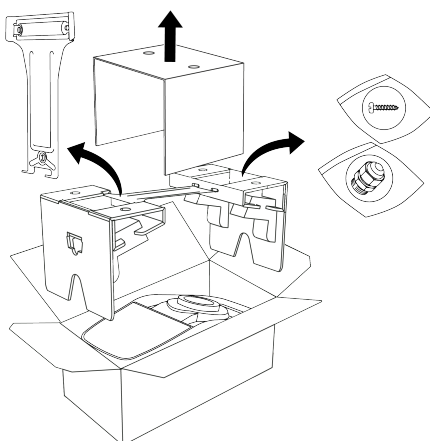


IT

4. Rimuovere i tre inserti di cartone, la staffa da parete e i kit di installazione.

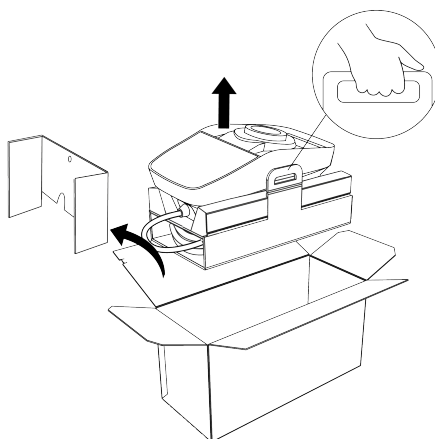
**i Nota**

Per evitare danni, lasciare la stazione di ricarica e il cavo nella confezione fino al momento dell'installazione.

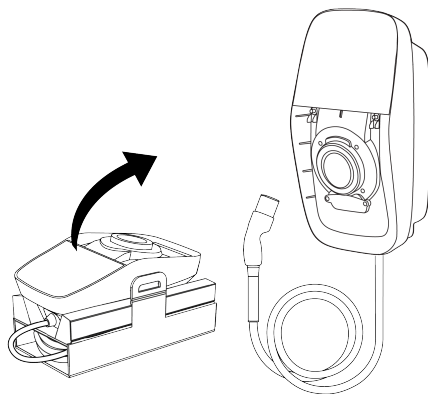


5. Se la stazione può essere installata sulla staffa da parete, rimuovere la stazione di ricarica dalla confezione come segue:

- a. Rimuovere l'inserto di cartone, quindi sollevare la confezione di cartone con la stazione di ricarica e il cavo dalla scatola della stazione.



- b. Rimuovere la stazione di ricarica e il cavo di ricarica dalla confezione.

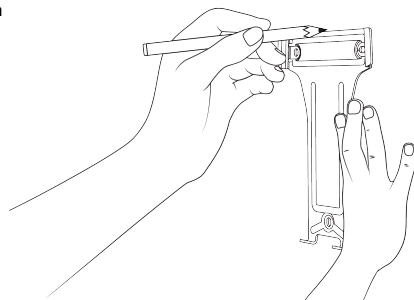


### 4.3. Installare la staffa da parete e la stazione di ricarica

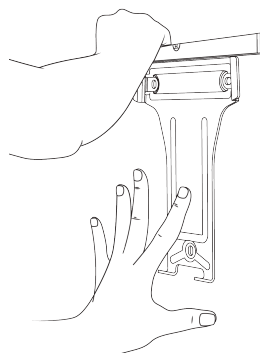
#### **⚠ AVVERTENZA**

Per la scelta della posizione e dell'altezza di installazione della stazione di ricarica e dell'ingresso del cavo di alimentazione, attenersi alle raccomandazioni riportate in [Piano di installazione a pagina 243](#).

1. Installare la staffa da parete come segue:
- Segnare l'altezza della parte superiore della staffa da parete.

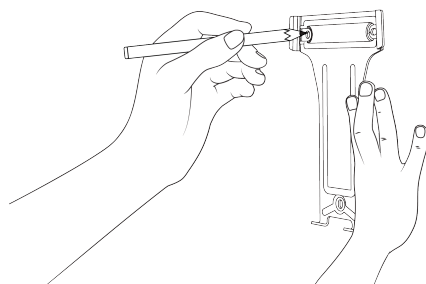


- Sostenere la staffa da parete e livellarla con una livella a bolla d'aria.



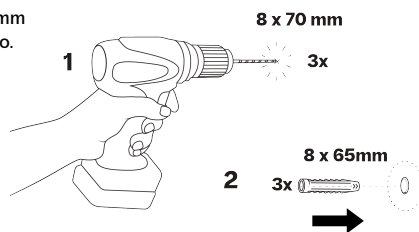
#### 4. Istruzioni di installazione

- c. Segnare i tre punti di avvitamento sulla parete.  
Rimuovere la staffa da parete.

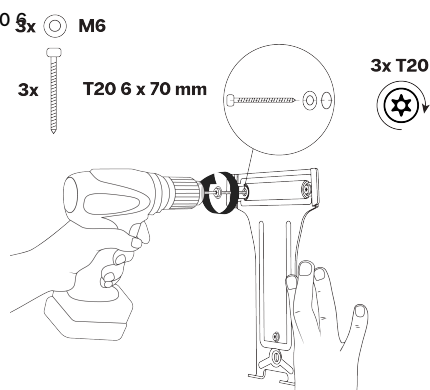


IT

- d. Praticare un foro di 8 mm a una profondità di 70 mm in corrispondenza di ciascun punto di avvitamento. Installare un tassello da 8x65 mm in ogni foro.

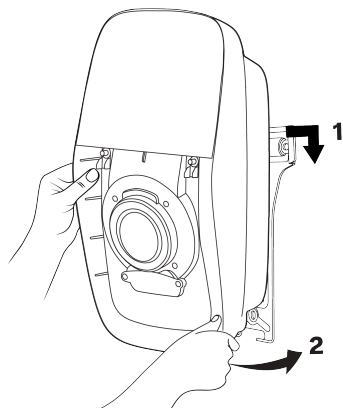


- e. Installare la staffa da parete utilizzando tre viti T20 6 x 70 mm e rondelle M6.



2. Installare la stazione di ricarica come segue:

- a. Far combaciare la stazione di ricarica con la parte superiore della staffa a parete, quindi ruotare la stazione di ricarica verso il basso per allineare i due fori delle viti inferiori.

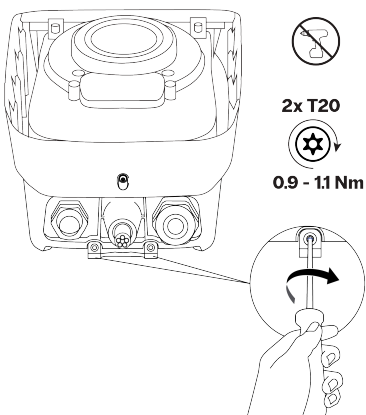


- b. Installare due viti Torx di sicurezza T20 per fissare la stazione di ricarica alla staffa da parete.

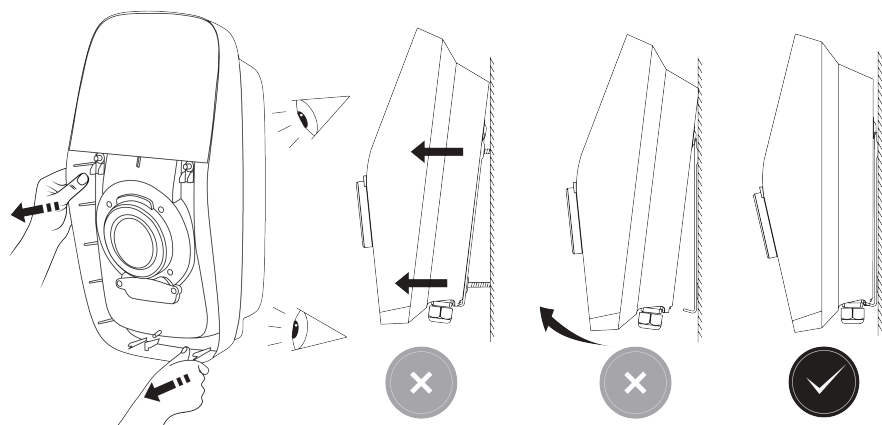
**⚠ AVVERTENZA**

L'uso di un cacciavite elettrico con una coppia elevata può danneggiare le viti e i componenti.

- Utilizzare esclusivamente un cacciavite a bassa coppia di serraggio con l'impostazione di coppia corretta.



- c. Tirare delicatamente la stazione di ricarica per assicurarsi che sia fissata saldamente alla staffa e alla parete.



#### 4.4. Collegare il cavo di alimentazione

La stazione di ricarica è dotata di due passacavi intercambiabili:

#### 4. Istruzioni di installazione

- Il passacavi installato è destinato all'uso con un cavo di alimentazione con un diametro della guaina compreso tra 13 e 25 mm.
- Il passacavi è destinato all'uso con un cavo di alimentazione con un diametro della guaina compreso tra 12 e 20 mm.

Le morsettiere sono compatibili con calibri del filo inclusi nella seguente gamma:

- Cavo rigido: massimo 16 mm<sup>2</sup>.
- Filo a trefoli con terminale a crimpare (senza guaina di plastica): massimo 10 mm<sup>2</sup>.

Il cavo di alimentazione può entrare nella stazione di ricarica dall'alto o dal basso. L'ingresso del cavo inferiore A può essere utilizzato in qualsiasi ambiente. L'ingresso superiore del cavo B deve essere utilizzato solo in un luogo in cui non vi sia il rischio di esposizione a pioggia o umidità.

#### **⚠** AVVERTENZA

Per la scelta del punto di ingresso del cavo di alimentazione per la stazione di ricarica, attenersi alle raccomandazioni riportate in [Piano di installazione a pagina 243](#).

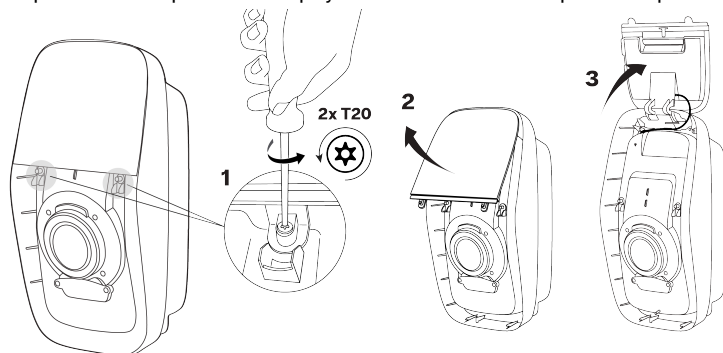
#### **i** Nota

L'ingresso del cavo di comunicazione avviene solo attraverso la parte inferiore della stazione di ricarica.

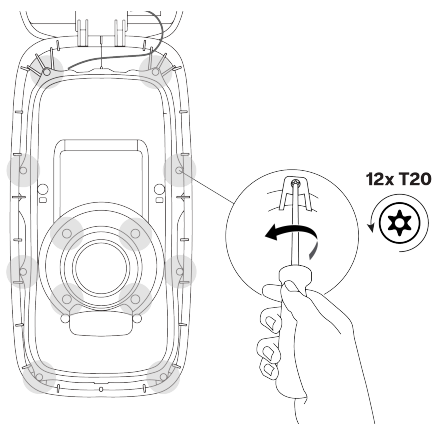
#### **i** Nota

Tutte le viti di sicurezza Torx T20 sono viti imperdibili. Non rimuovere completamente le viti imperdibili dalla stazione di ricarica.

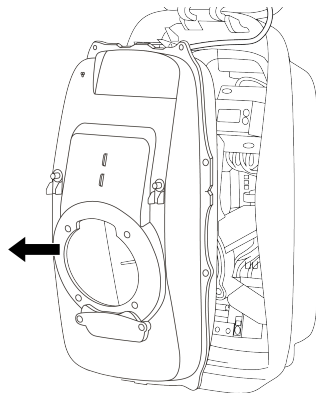
1. Rimuovere il coperchio interno come segue:
  - a. Allentare le due viti imperdibili Torx T20 di sicurezza che fissano il coperchio del display. Aprire completamente il coperchio del display in modo che si blocchi in posizione aperta.



- b. Allentare le 12 viti Torx di sicurezza imperdibili T20 che fissano il coperchio interno.

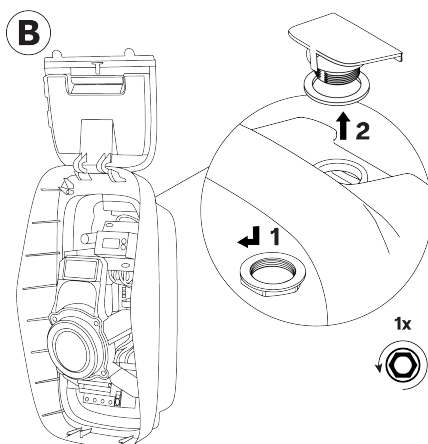


- c. Rimuovere il coperchio interno.

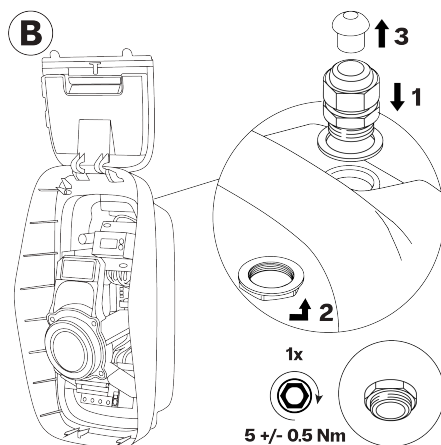


2. Per l'ingresso del cavo B superiore, preparare l'ingresso superiore per il cavo di alimentazione come segue:

- a. Rimuovere il dado che fissa il coperchio sull'ingresso superiore. Rimuovere il coperchio. Conservare il dado per utilizzarlo sul passacavi. Conservare il coperchio nella confezione.



- b. Installare il passacavi e la guarnizione nell'ingresso superiore. Installare e serrare il dado. Rimuovere il tappo di chiusura dal passacavi e conservarlo per un uso successivo.



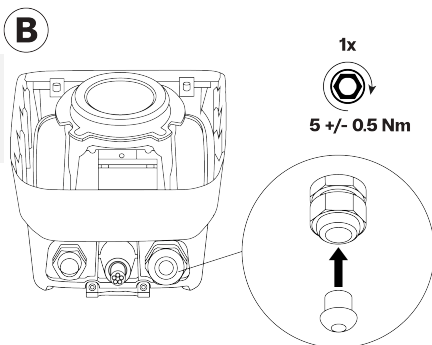


#### 4. Istruzioni di installazione

- c. Installare il tappo di chiusura nel passacavi inutilizzato sul fondo della stazione di ricarica.

**⚠ AVVERTENZA**

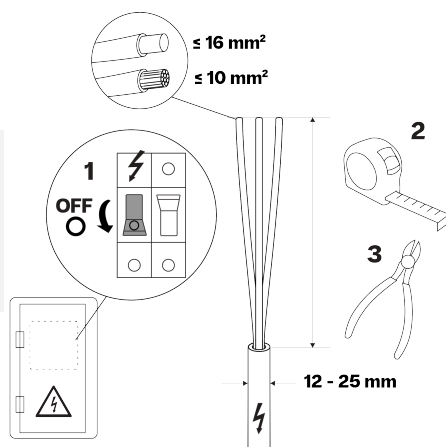
Assicurarsi che il tappo di chiusura sia installato nel passacavi per preservare il codice IP della stazione di ricarica.



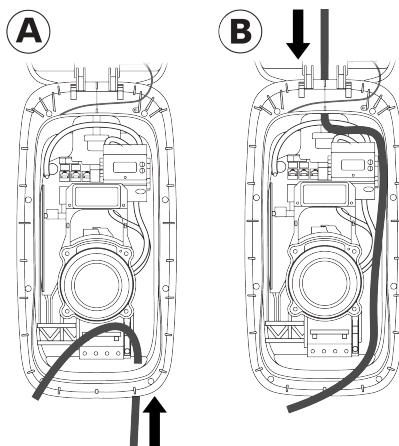
3. Tagliare il cavo di alimentazione e spellare la guaina esterna in modo che il cavo e i relativi fili abbiano una lunghezza sufficiente per collegarsi alla morsettiera RCBO e PE della stazione di ricarica. Se necessario, installare un isolamento supplementare sui singoli fili.

**⚠ AVVERTENZA**

Per proteggere i circuiti a bassissima tensione separati (SELV), i fili spellati a isolamento singolo non devono toccare i componenti della scheda principale. Se necessario, installare un doppio isolamento sui singoli fili, ad esempio utilizzando tubi termorestringenti o guaine isolanti.



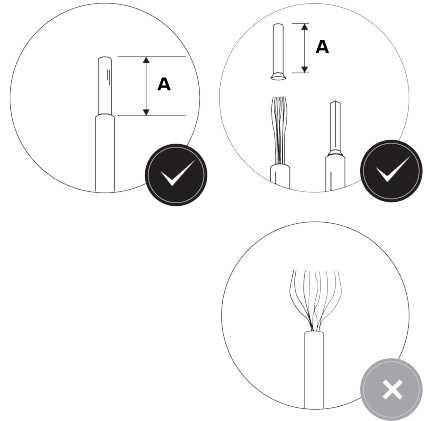
4. Inserire il cavo di alimentazione nella stazione di ricarica utilizzando il passacavi inferiore A o il passacavi superiore B. Far passare il cavo di alimentazione fino ai punti di connessione. Lasciare una lunghezza sufficiente per spellare e collegare i fili.



## 5. Spellare le estremità del cavo di alimentazione:

- Per un RCBO, A = 12 mm
- Per una morsettiere, A = 18 mm

Quando vengono usati fili a trefoli, installare dei capicorda e praticare una crimpatura quadrata per un perfetto adattamento alle morsettiere di RCBO e PE.



## 6. Per le stazioni con RCBO integrato: Collegare il cavo di alimentazione come segue:

**⚠ AVVERTENZA**

Un collegamento errato dei cavi di alimentazione può comportare il rischio di scosse elettriche, con conseguenti danni alla stazione di ricarica, lesioni o morte.

- Assicurarsi che i cavi di alimentazione siano collegati saldamente.

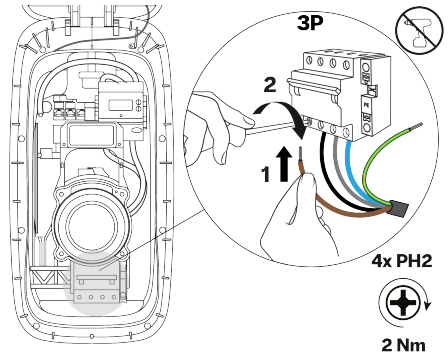
**i Nota**

Collegare i fili in base agli schemi di cablaggio dell'alimentatore in [Requisiti di alimentazione a pagina 245](#).

**i Nota**

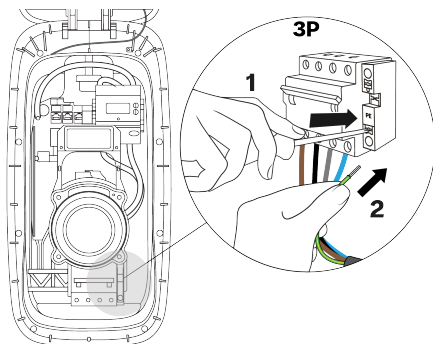
Nelle stazioni di ricarica, gli RCBO di tipo B sono installati al contrario.

- a. Collegare i fili del cavo di alimentazione all'RCBO.  
Serrare le viti per fissare i cavi.

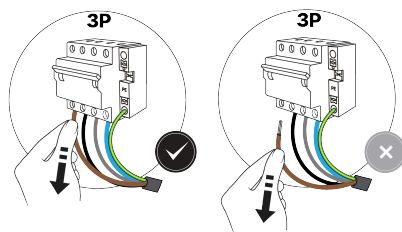


#### 4. Istruzioni di installazione

- b. Collegare il filo PE del cavo di alimentazione alla morsetteria PE.



- c. Tirare ogni filo per verificare che sia collegato saldamente.



7. Per le stazioni con morsettiere, collegare il cavo di alimentazione come segue:

#### **⚠ AVVERTENZA**

Un collegamento errato dei cavi di alimentazione può comportare il rischio di scosse elettriche, con conseguenti danni alla stazione di ricarica, lesioni o morte.

- Assicurarsi che i cavi di alimentazione siano collegati saldamente.

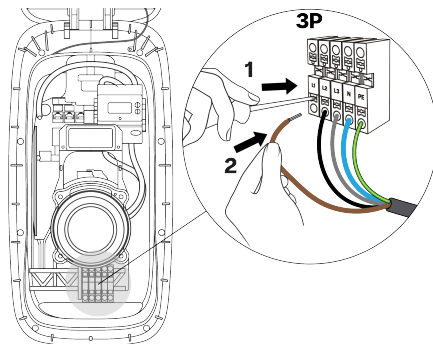
#### **i Nota**

Collegare i fili in base agli schemi di cablaggio dell'alimentatore in [Requisiti di alimentazione a pagina 245](#).

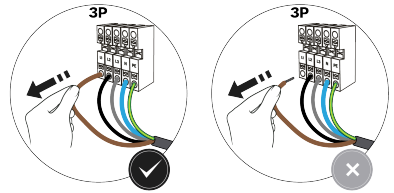
#### **i Nota**

L'illustrazione mostra un collegamento trifase con neutro.

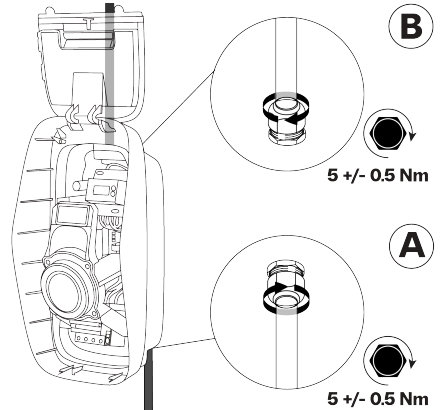
- a. Collegare i fili del cavo di alimentazione alle morsettiere.



- b. Tirare ogni filo per verificare che sia collegato saldamente.



8. Serrare il passacavi per fissare il cavo di alimentazione e garantire il codice IP della stazione di ricarica.



## 4.5. Comunicazione con la stazione di ricarica

L'ingresso del cavo di comunicazione avviene solo attraverso il passacavi sinistro nella parte inferiore della stazione di ricarica. Attraverso il passacavi possono entrare nella stazione di ricarica un massimo di quattro cavi di comunicazione.

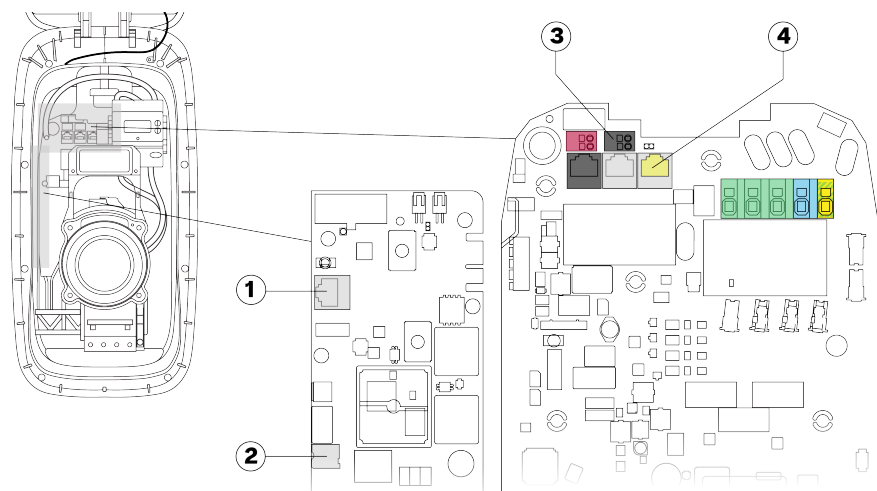
Esistono tre opzioni per collegare la stazione di ricarica a Internet:

- Ethernet (opzione raccomandata)
- Wi-Fi (vedere [Configurazione a pagina 270](#))
- Cellulare (scheda SIM)

### Collegamenti e componenti di comunicazione

#### **i** Nota

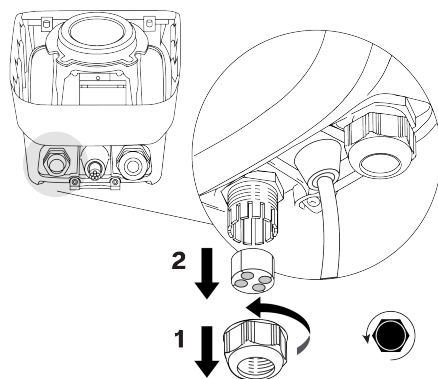
I collegamenti e i componenti di comunicazione utilizzati dipendono dal modello della stazione di ricarica e dalla funzionalità richiesta.



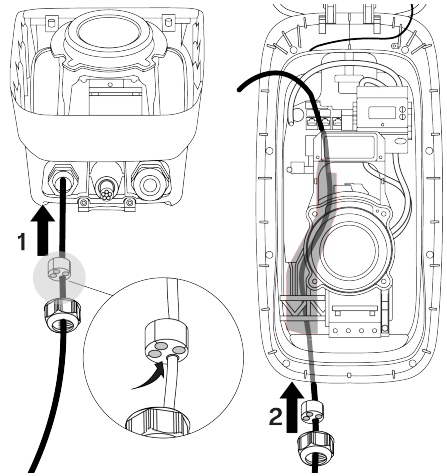
1. Presa elettrica Ethernet per la connessione a Internet via cavo
2. Slot per scheda nano-SIM per la connessione a Internet via cellulare
3. Morsettiere per controllo alimentazione attivo (solo per la Germania)
4. Presa elettrica CT IN per la distribuzione bilanciata della ricarica dinamica

#### 4.5.1. Passare i cavi di comunicazione

1. Rimuovere il dado e la guarnizione dal passacavi sinistro.



2. Far passare i cavi di comunicazione necessari attraverso il dado del pressacavo e la guarnizione, quindi attraverso il pressacavo sinistro nella parte inferiore della stazione di ricarica. Far passare i cavi attraverso la canalina fino alla parte superiore della stazione di ricarica.



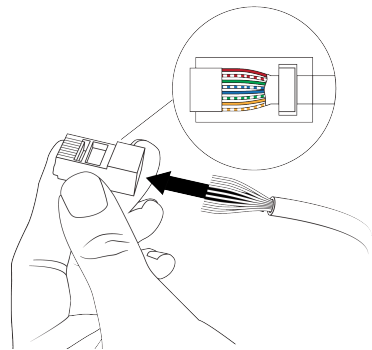
#### 4.5.2. Opzionale: collegare il cavo Ethernet per Internet

##### **i** Nota

Utilizzare un cavo di rete Cat5 o superiore (Cat5, Cat5e, Cat6), con fili a coppie intrecciate.

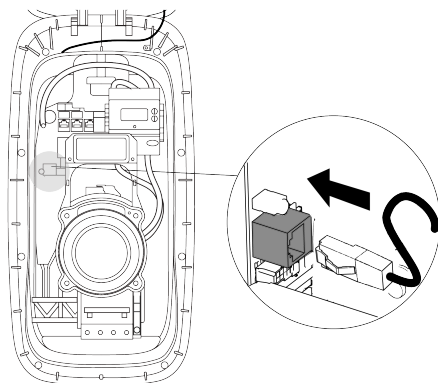
- L'uso di un cavo di rete schermato è consigliato ma non obbligatorio.
- Se si utilizza un cavo schermato, non mettere a terra la schermatura.
- Per installazioni all'esterno, utilizzare un cavo di rete stabilizzato ai raggi UV.
- I cavi di rete possono avere un connettore RJ45 preinstallato, oppure il connettore RJ45 può essere installato prima o dopo l'instradamento del cavo di rete nella stazione di ricarica.

1. Se non è stato preinstallato un connettore RJ45, installarlo sul cavo di rete.



#### 4. Istruzioni di installazione

2. Collegare il connettore del cavo di rete RJ45 alla presa elettrica Ethernet della scheda di comunicazione.



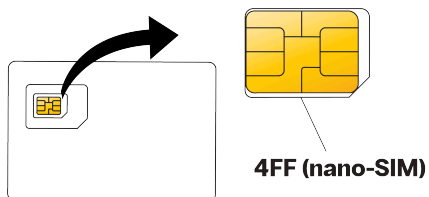
IT

#### 4.5.3. Opzionale: installare la scheda SIM per Internet

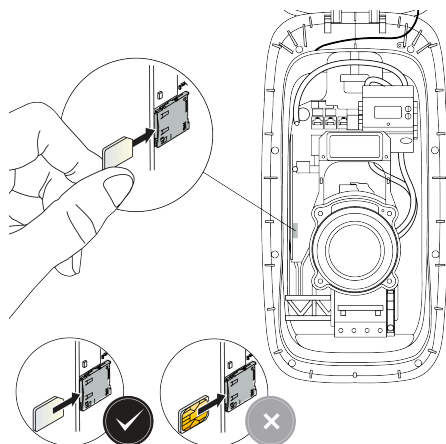
##### Nota

Sono supportate solo alcune schede SIM.

1. Rimuovere la scheda SIM 4FF (nano-SIM) dalla relativa scheda.



2. Inserire e bloccare la scheda SIM 4FF (nano-SIM) nell'apposito slot della scheda di comunicazione. I contatti della scheda SIM devono essere rivolti verso la scheda di comunicazione.



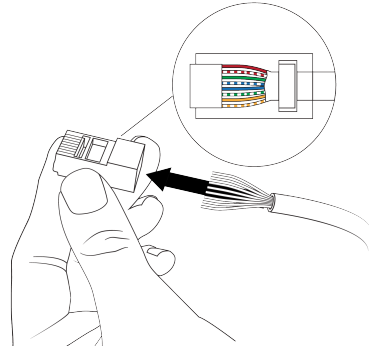
#### 4.5.4. Opzionale: collegare il cavo di distribuzione bilanciata della ricarica

##### **i** Nota

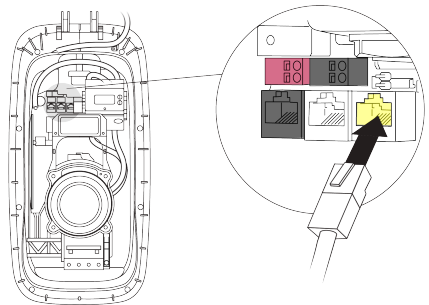
Utilizzare un cavo di rete Cat5 o superiore (Cat5, Cat5e, Cat6), con fili a coppie intrecciate.

- L'uso di un cavo di rete schermato è consigliato ma non obbligatorio.
- Se si utilizza un cavo schermato, non mettere a terra la schermatura.
- Per installazioni all'esterno, utilizzare un cavo di rete stabilizzato ai raggi UV.
- I cavi di rete possono avere un connettore RJ45 preinstallato, oppure il connettore RJ45 può essere installato prima o dopo l'instradamento del cavo di rete nella stazione di ricarica.

1. Se non è stato preinstallato un connettore RJ45, installarlo sul cavo di rete.



2. Collegare il connettore del cavo di rete RJ45 alla presa elettrica CT IN.



#### 4.5.5. Solo per i Paesi pertinenti: collegare un cavo per il controllo remoto dell'alimentazione

Le morsettiere sono compatibili con calibri del filo inclusi nella seguente gamma:

- Cavo rigido: massimo 1,5 mm<sup>2</sup>.
- Filo a trefoli con terminale a crimpare (senza guaina di plastica): massimo 1,5 mm<sup>2</sup>.

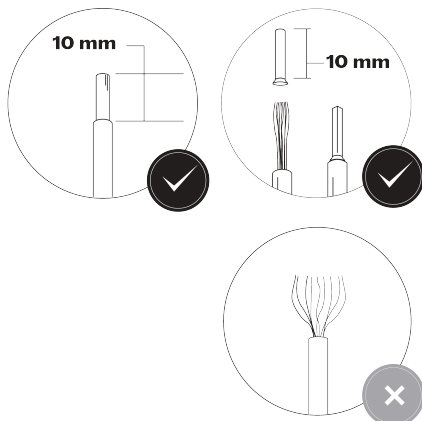
Utilizzare un cavo a doppio isolamento resistente a temperature fino a 90 °C.



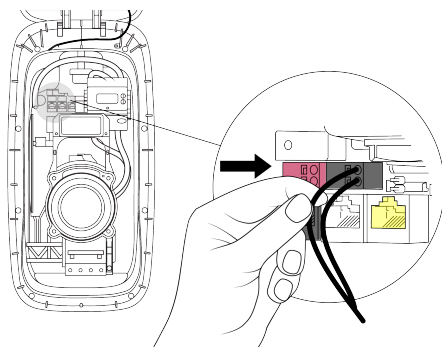
#### 4. Istruzioni di installazione

1. Sguainare le estremità del cavo di controllo alimentazione attivo.

Quando vengono usati fili a trefoli, installare dei puntali e praticare una crimpatura quadrata per un perfetto adattamento alle morsettiere.



2. Collegare i cavi di controllo di alimentazione attiva al blocco morsettiere nero (input digitale 1).



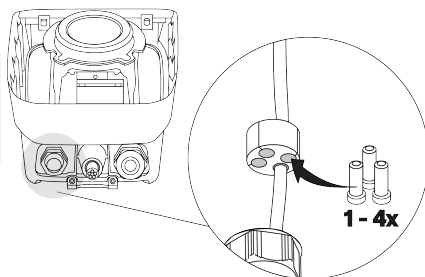
3. Collegare l'altra estremità del cavo di controllo di alimentazione attiva al dispositivo di controllo DSO con contatti normalmente aperti (NO).

#### 4.5.6. Serrare il passacavi

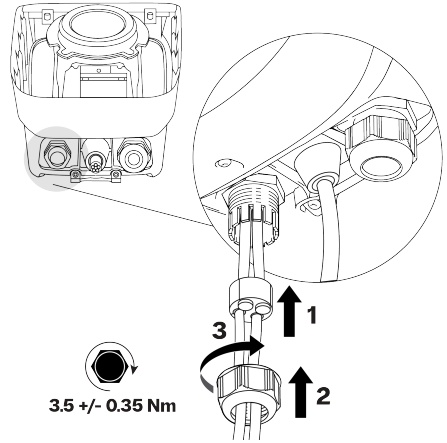
1. Installare i tappi di chiusura nelle aperture inutilizzate della guarnizione del passacavi.

##### **⚠ AVVERTENZA**

Assicurarsi che i tappi di chiusura siano posizionati nei punti di ingresso inutilizzati del passacavi per garantire il codice IP della stazione di ricarica.



2. Spostare la guarnizione verso l'alto nel passacavi, quindi serrare il passacavi per fissare i cavi di rete e i tappi di chiusura.

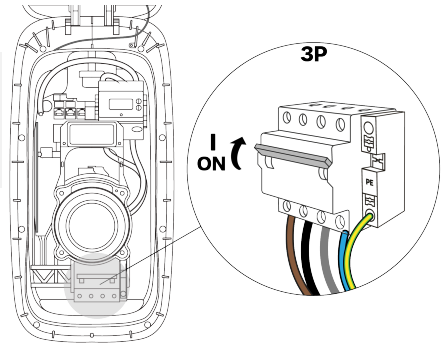


#### 4.6. Installare i coperchi della stazione di ricarica

1. Per le stazioni con RCBO integrato: accertarsi che l'RCBO sia acceso nella stazione di ricarica.

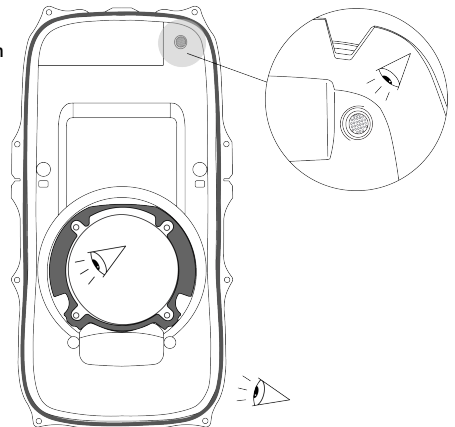
**i** Nota

Nelle stazioni di ricarica, gli RCBO di tipo B sono installati al contrario. Se la stazione di ricarica è dotata di un RCBO di tipo B, le direzioni di accensione e spegnimento sono invertite.



2. Prima dell'installazione, controllare il coperchio interno come segue:

- a. All'interno, verificare che la guarnizione del coperchio interno e quella centrale siano pulite e integre. Verificare che la membrana di sfiato sia ben salda e non presenti danni.



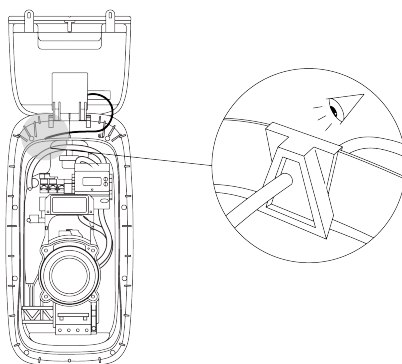
#### 4. Istruzioni di installazione

- b. All'esterno, verificare che i tre fori di sfiato non siano ostruiti da acqua, polvere o detriti.

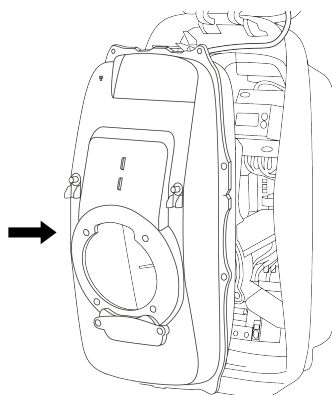


IT

3. Sulla stazione di ricarica, verificare che la guarnizione passante per il cavo del display sia installata correttamente.



4. Installare il coperchio interno come segue:  
a. Incastrare la parte inferiore del coperchio sotto il foro centrale, quindi spingere la parte superiore del coperchio in posizione.



- b. Serrare le 12 viti Torx di sicurezza imperdibili T20 nell'ordine indicato per fissare il coperchio interno.

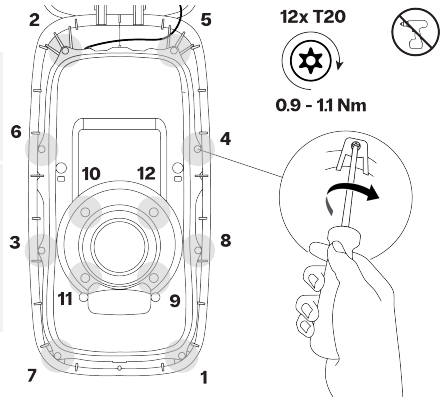
**⚠ AVVERTENZA**

Rischio di infiltrazioni d'acqua. Se le viti non sono serrate nell'ordine corretto, pioggia e umidità possono penetrare nella stazione di ricarica.

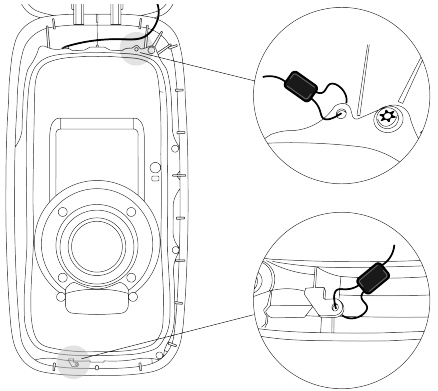
**⚠ AVVERTENZA**

L'uso di un cacciavite elettrico con una coppia elevata può danneggiare le viti e i componenti.

- Utilizzare esclusivamente un cacciavite a bassa coppia di serraggio con l'impostazione di coppia corretta.



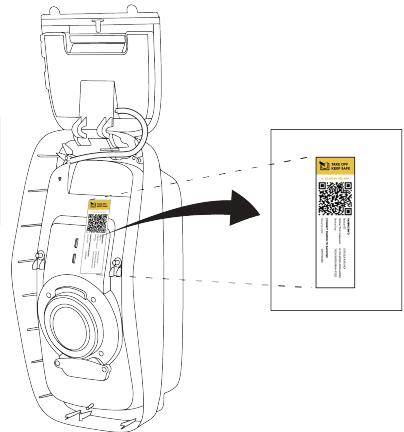
- c. Facoltativo: installare due guarnizioni antimanomissione sugli angoli superiore destro e inferiore sinistro del coperchio interno.



5. Rimuovere l'adesivo contenente le informazioni specifiche della stazione di ricarica dal coperchio interno. Conservarlo assieme alla documentazione della stazione di ricarica. Le informazioni riportate sull'adesivo sono necessarie durante la configurazione.

**⚠ AVVERTENZA**

Per evitare l'accesso non autorizzato alle impostazioni della stazione di ricarica, non lasciare l'adesivo sulla stazione di ricarica.



6. Installare il coperchio del display e il coperchio anteriore come segue:

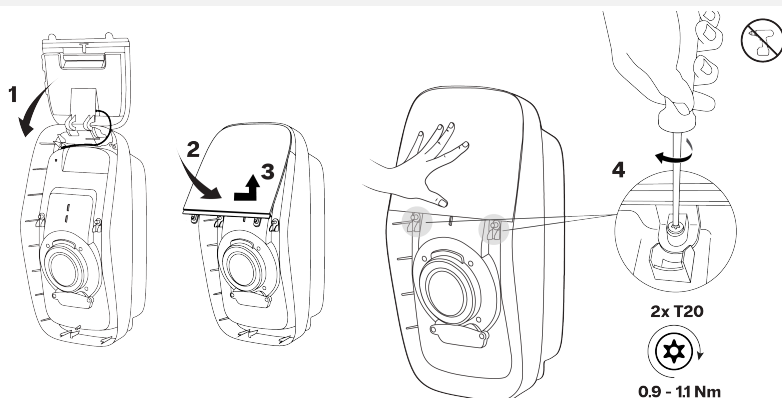
#### 4. Istruzioni di installazione

- a. Mantenere il coperchio del display chiuso. Fissare il coperchio del display con due viti imperdibili Torx T20.

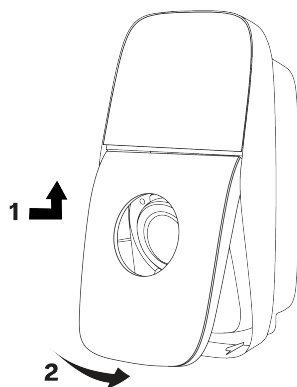
**⚠ AVVERTENZA**

L'uso di un cacciavite elettrico con una coppia elevata può danneggiare le viti e i componenti.

- Utilizzare esclusivamente un cacciavite a bassa coppia di serraggio con l'impostazione di coppia corretta.



- b. Incastrare il bordo superiore del coperchio anteriore sotto il bordo inferiore del coperchio del display, quindi ruotare il coperchio verso il basso per allineare il foro della vite inferiore.

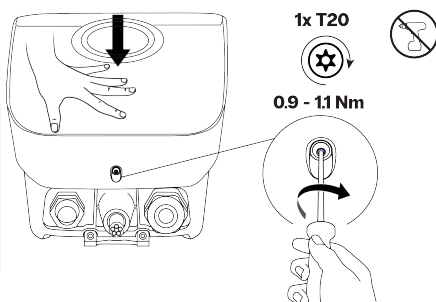


- c. Spingere il coperchio anteriore contro la molla. Serrare la vite imperdibile Torx T20 di sicurezza per fissare il coperchio anteriore della stazione di ricarica.

**⚠ AVVERTENZA**

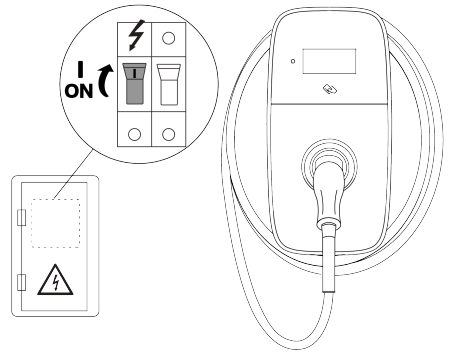
L'uso di un cacciavite elettrico con una coppia elevata può danneggiare le viti e i componenti.

- Utilizzare esclusivamente un cacciavite a bassa coppia di serraggio con l'impostazione di coppia corretta.



7. Avvolgere il cavo di ricarica attorno alla stazione di ricarica per riporlo e inserire il connettore di ricarica nell'apposito supporto.

Accendere la stazione di ricarica. L'anello LED lampeggia di bianco per indicare che la stazione di ricarica si sta avviando.



L'installazione della stazione di ricarica è conclusa. L'anello LED di colore bianco, che lampeggia due volte, indica che è possibile avviare la configurazione.

## 4.7. Configurazione

Per funzionare, la stazione di ricarica deve essere collegata a Internet. Una volta collegata, si consiglia di attivare la stazione di ricarica su una piattaforma di gestione della ricarica (CMP) per beneficiare appieno di tutte le funzioni della stazione e del supporto online.

Per poter utilizzare la stazione di ricarica è necessario completare la configurazione.

### 4.7.1. Configurare la stazione di ricarica

#### AVVERTENZA

Pericolo di scosse elettriche, lesioni gravi o mortali. Solo un elettricista qualificato ha il permesso di utilizzare l'app EVBox Install per configurare la stazione di ricarica.

1. Scaricare e installare EVBox Install App su smartphone o tablet.



2. Aprire EVBox Install App e seguire le istruzioni dell'applicazione.

Le informazioni specifiche della stazione di ricarica necessarie per la sua configurazione sono riportate sull'adesivo rimosso durante l'installazione.



## 5. Istruzioni per l'uso

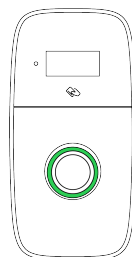
3. Tramite EVBox Install App, configurare le seguenti impostazioni chiave per garantire il funzionamento sicuro della stazione di ricarica:
  - Corrente di ricarica massima.
  - Connettività Internet.
  - Altre impostazioni di configurazione.

### 4.7.2. Opzionale: attivare la stazione di ricarica con la CMP

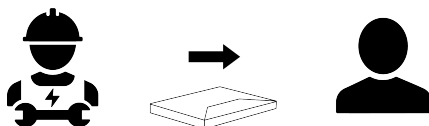
Per una stazione di ricarica online, l'utente deve attivare la stazione di ricarica con la Charging Management Platform (CMP, piattaforma di gestione della ricarica) sul sito web della CMP o utilizzando l'app specifica per la CMP. Contattare l'Operatore del Punto di Ricarica (CPO) per i dettagli sulla procedura di attivazione della stazione di ricarica.

### 4.7.3. Pronta per l'uso

Quando i coperchi sono installati, la messa in funzione è completata e l'anello LED è verde fisso, la stazione di ricarica è pronta a caricare un veicolo elettrico



Consegnare tutta la documentazione al proprietario. Il proprietario deve conservare tutta la documentazione fornita con la stazione di ricarica in un luogo sicuro per l'intero ciclo di vita del prodotto.



## 5. Istruzioni per l'uso

### PERICOLO

La mancata osservanza delle istruzioni d'uso fornite nel presente manuale comporta il rischio di scosse elettriche, lesioni gravi o morte.

- Leggere le precauzioni di sicurezza e le istruzioni per l'uso del presente manuale prima di utilizzare la stazione di ricarica.
- Se non si è sicuri di come utilizzare la stazione di ricarica, contattare il rivenditore per ulteriori informazioni.

### 5.1. Avvio e interruzione di una sessione di ricarica

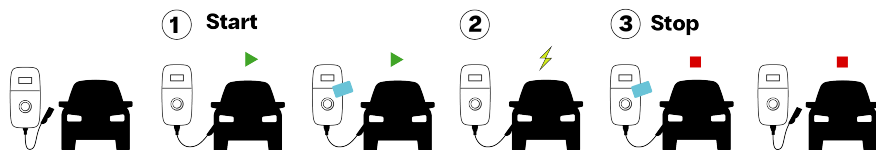
#### Nota

Sul display vengono visualizzate anche le istruzioni per la sessione di carica.

1. Avvio della ricarica:
  - Estrarre il connettore dal supporto della stazione di ricarica, quindi srotolare completamente il cavo di ricarica attorno alla stazione di ricarica.
  - Collegare il cavo di ricarica al veicolo.
  - Se si utilizza una carta elettronica o un portachiavi per la ricarica, tenerli davanti al lettore della stazione di ricarica per avviare la carica.\*
2. Il veicolo sta caricando.

## 3. Interrompere la ricarica:

- Se si utilizza una carta elettronica per la ricarica o una chiave telecomando\*\*, tenerlo davanti al lettore della stazione per interrompere la ricarica.\*
- Scollegare il cavo di ricarica dal veicolo.
- Avvolgere il cavo di ricarica attorno alla stazione di ricarica, quindi inserire il connettore nel supporto.



\* Se la stazione di ricarica è configurata per accettare solo carte elettroniche per la ricarica o portachiavi.

\*\* È necessario usare la stessa carta elettronica per la ricarica o lo stesso portachiavi usato per iniziare la sessione di ricarica.

## 5.2. Indicazione di stato

**i** Nota




Il display visualizza anche lo stato della stazione di ricarica.

**i** Nota

Alcune funzioni e indicazioni di stato non sono disponibili su tutti i modelli.

Anello LED	Colore	Descrizione dello stato
	Bianco (rotante)	La stazione di ricarica si sta avviando oppure è in corso l'aggiornamento del software.
	Bianco (lampeggiante)	La stazione di ricarica è in attesa di configurazione tramite EVBox Install App.
	Verde (fisso)	Stato inattivo. La stazione di ricarica è pronta per la ricarica.
	Rosso (fisso)	Autenticazione respinta. L'indicazione diventa verde dopo 5 secondi.
	Blu (fisso)	<ul style="list-style-type: none"> <li>• La stazione di ricarica attende il veicolo.</li> <li>• La ricarica è sospesa.</li> </ul>
	Blu (riempimento dal basso)	Il veicolo sta caricando.



Anello LED	Colore	Descrizione dello stato
	Verde (lampeggiante)	La sessione di ricarica è completa. Il veicolo può essere scollegato dalla stazione di ricarica.
	Arancio (fisso)	La ricarica è lenta o sospesa a causa della temperatura elevata. La ricarica riprenderà automaticamente.
	Arancio (lampeggiante)	La sessione di ricarica ha avuto esito negativo. Scollegare il veicolo, quindi riprovare.

### 5.3. Manutenzione da parte dell'utente

La responsabilità delle condizioni della stazione di ricarica ricade sull'utente, che deve rispettare sia le norme di legge sulla sicurezza delle persone, degli animali e dei beni, sia le disposizioni di installazione in vigore nel Paese di utilizzo. Far controllare regolarmente la stazione di ricarica e la sua installazione da un elettricista qualificato, in conformità alle norme di installazione vigenti nel proprio Paese.

#### PERICOLO

Un'esposizione prolungata della stazione di ricarica all'acqua determinerà il rischio di scossa elettrica, che a sua volta può causare lesioni o morte.

- Non indirizzare forti getti d'acqua verso la stazione di ricarica o sulla stessa.
- Non immergere il connettore di carica in un liquido.

#### AVVERTENZA

Non utilizzare detergenti chimici o solventi aggressivi per pulire la stazione di ricarica.

1. Rimuovere dalla parte esterna della stazione di ricarica eventuali tracce di sporco e sostanze organiche naturali con un panno morbido e umido. Assicurarsi che il display, l'anello LED e il sensore luminoso siano puliti.
2. Effettuare un controllo visivo della stazione di ricarica, del cavo di ricarica e del connettore di ricarica. Se si sospetta che la stazione di ricarica, il cavo o il connettore siano danneggiati o sporchi, contattare un elettricista qualificato per riparare o sostituire i componenti danneggiati.
3. Tirare delicatamente la stazione di ricarica per verificare che sia ancora montata saldamente. Assicurarsi che il coperchio esterno della stazione sia ben saldo. Se la stazione di ricarica o il coperchio sono allentati, rivolgersi a un elettricista qualificato per reinstallare correttamente la stazione.

### 5.4. Accedere alla stazione di ricarica

Utilizzando uno smartphone, un tablet o un computer portatile dotato di Wi-Fi, l'utente può accedere alla stazione di ricarica per modificare le impostazioni, come ad esempio il Wi-Fi e visualizzare le licenze software. Per le istruzioni, consultare il sito [help.evbox.com](http://help.evbox.com).

## 6. Risoluzione dei problemi

### PERICOLO

L'esecuzione della manutenzione e riparazione di questa stazione di ricarica da parte di personale non qualificato può comportare il rischio di scosse elettriche, di lesioni gravi o morte.

- Solamente un elettricista qualificato è autorizzato a eseguire la manutenzione e la riparazione della stazione di ricarica.
- L'utente non deve effettuare interventi di manutenzione o riparare la stazione di ricarica, in quanto non contiene parti riparabili dall'utente.

### 6.1. Indicazione di errore

Anello LED	Colore	Descrizione dello stato	Azione
	Rosso (fisso)	Si è verificato un errore.	Seguire le istruzioni mostrate sul display.
	Spento	L'alimentazione è guasta.	Verificare l'alimentazione della stazione. Ripristinare l'MCB o l'RCD nel quadro elettrico. Per una stazione con RCBO incorporato, verificare se l'RCBO sia aperto (vedere <a href="#">Accedere all'RCBO a pagina 274</a> ).

### Nota

Alcuni stati di errore si risolvono spegnendo e riaccendendo l'alimentazione.

- Per le stazioni senza RCBO incorporato, spegnere e riaccendere il quadro elettrico.
- Per le stazioni con RCBO integrato, spegnere e riaccendere l'apparecchio utilizzando l'RCBO (vedere [Accedere all'RCBO a pagina 274](#)).

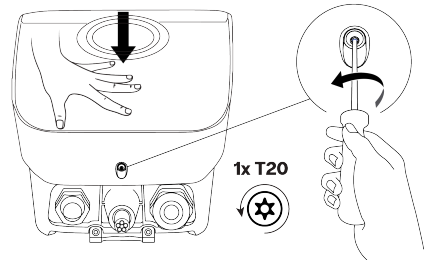
### 6.2. Accedere all'RCBO

Questa procedura è applicabile solo alle stazioni di ricarica con RCBO integrato. L'RCBO è accessibile attraverso un coperchio di accesso situato sul coperchio interno. Prima di avviare questa procedura, accertarsi che la stazione di ricarica sia sotto tensione.

### Nota

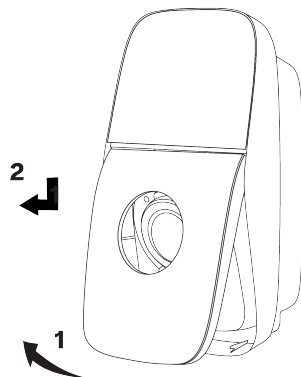
Tutte le viti di sicurezza Torx T20 sono viti imperdibili. Non rimuovere completamente le viti imperdibili dalla stazione di ricarica.

1. Se alla stazione di ricarica è collegato un veicolo elettrico, scollegarlo.
2. Spingere il coperchio anteriore contro la molla, quindi allentare una delle viti imperdibili Torx T20 di sicurezza che fissano il coperchio anteriore alla stazione di ricarica.

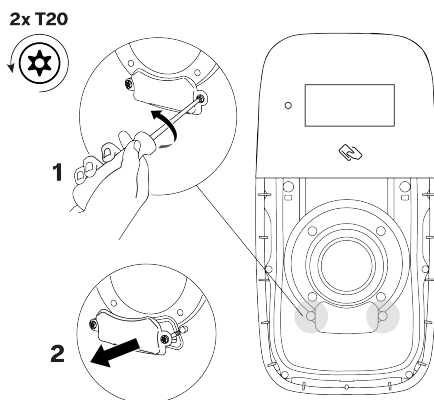


## 6. Risoluzione dei problemi

3. Ruotare il coperchio anteriore verso l'alto, quindi sganciare il bordo superiore del coperchio anteriore da sotto il bordo inferiore del coperchio del display.



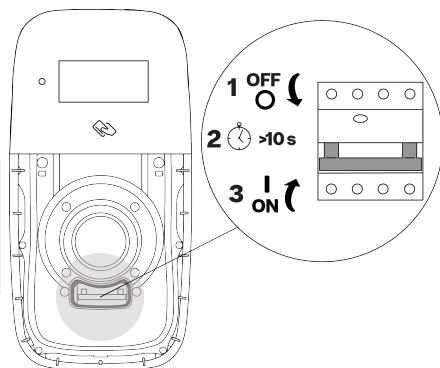
4. Allentare le due viti imperdibili Torx T20 di sicurezza. Rimuovere il coperchio dell'RCBO dal coperchio interno.



5. Per spegnere e riaccendere la stazione di ricarica, spegnere l'RCBO, attendere 10 secondi e riaccenderlo. L'anello LED lampeggia di bianco per indicare che la stazione di ricarica si sta avviando. La stazione di ricarica è pronta a caricare un veicolo elettrico quando l'anello LED si illumina di verde fisso.

### Nota

Nelle stazioni di ricarica, gli RCBO di tipo B sono installati al contrario. Se la stazione di ricarica è dotata di un RCBO di tipo B, le direzioni di accensione e spegnimento sono invertite.

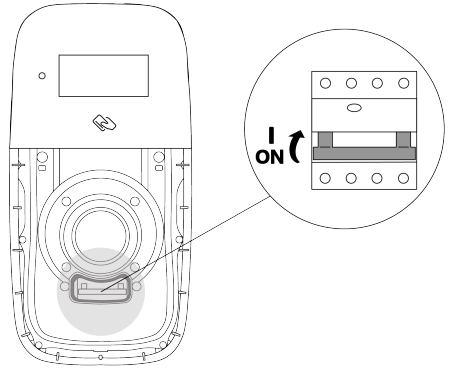


6. Per aprire l'RCBO, spostare l'interruttore RCBO verso il basso.

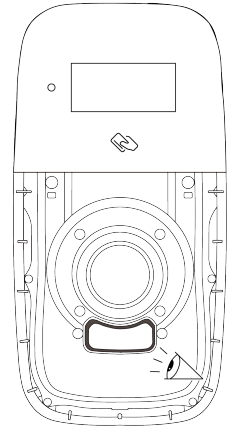
L'anello LED lampeggia di bianco per indicare che la stazione di ricarica si sta avviando. La stazione di ricarica è pronta a caricare un veicolo elettrico quando l'anello LED è acceso fisso di colore verde.

**i Nota**

Nelle stazioni di ricarica, gli RCBO di tipo B sono installati al contrario. Se la stazione di ricarica è dotata di un RCBO di tipo B, le direzioni di accensione e spegnimento sono invertite.



7. Controllare che la guarnizione del coperchio interno sia pulita e non danneggiata.

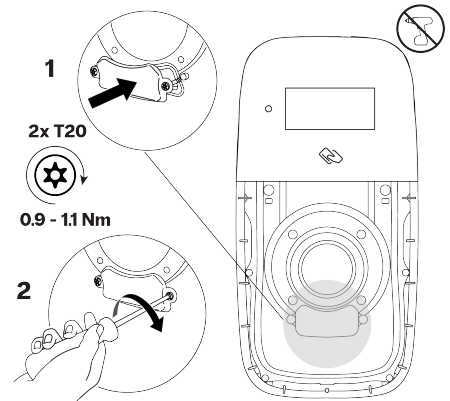


8. Installare il coperchio dell'RCBO sul coperchio interno. Serrare le due viti imperdibili Torx T20 di sicurezza.

**⚠ AVVERTENZA**

L'uso di un cacciavite elettrico con una coppia elevata può danneggiare le viti e i componenti.

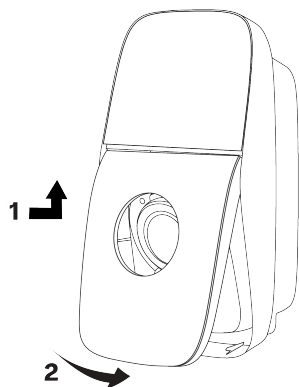
- Utilizzare esclusivamente un cacciavite a bassa coppia di serraggio con l'impostazione di coppia corretta.



9. Installare il coperchio anteriore come segue:

## 7. Messa fuori servizio

- a. Incastrare il bordo superiore del coperchio anteriore sotto il bordo inferiore del coperchio del display, quindi ruotare il coperchio verso il basso per allineare il foro della vite inferiore.

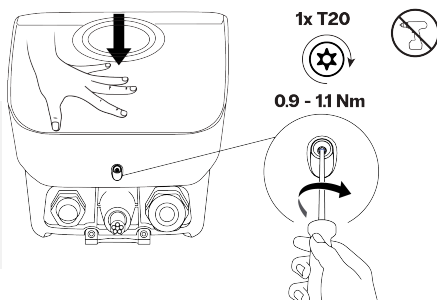


- b. Spingere il coperchio anteriore contro la molla. Serrare la vite imperdibile Torx T20 di sicurezza per fissare il coperchio anteriore della stazione di ricarica.

### AVVERTENZA



L'uso di un cacciavite elettrico con una coppia elevata può danneggiare le viti e i componenti.

- Utilizzare esclusivamente un cacciavite a bassa coppia di serraggio con l'impostazione di coppia corretta.



## 7. Messa fuori servizio

Smantellare e riciclare la stazione di ricarica in conformità alle normative locali vigenti in materia di smaltimento.

	Non smaltire questa stazione di ricarica nei rifiuti domestici. Smaltire invece la stazione di ricarica presso un punto di raccolta locale per dispositivi elettrici/elettronici, per consentirne il riciclo ed evitare così impatti negativi e pericolosi sull'ambiente. Per gli indirizzi, rivolgersi al proprio Comune o alle autorità locali.
	Il riciclo dei materiali consente di risparmiare materie prime ed energia e contribuisce in modo significativo alla tutela dell'ambiente.



Points de collecte sur [www.quefairedemesdechets.fr](http://www.quefairedemesdechets.fr)  
Privilégiez la réparation ou le don de votre appareil !

## 8. Appendice

### 8.1. Glossario

Abbreviazione	Significato
1P	Alimentazione monofase (ingresso e uscita). La potenza della stazione di ricarica è mostrata sulla parte basse della stazione di ricarica.
3P	Alimentazione trifase (ingresso e uscita). La potenza della stazione di ricarica è mostrata sulla parte basse della stazione di ricarica.

Abbreviazione	Significato
CA	Corrente alternata.
CMP	Piattaforma di gestione della ricarica (CMP). La piattaforma backend che connette una stazione di ricarica al CPO.
CPO	Operatore del punto di ricarica. Il proprietario e/o operatore dell'installazione della stazione di ricarica.
DSO	Operatore del sistema di distribuzione. L'operatore responsabile della rete di alimentazione elettrica.
ESD	Scariche elettrostatiche.
EV (Electric Vehicle)	Veicolo elettrico.
IK	Protezione dagli urti.
IP	Protezione ingresso.
RF	Comunicazione a radiofrequenza.
LAN	Rete locale.
LED	Diodo a emissione luminosa.
MCB	Interruttore in miniatura.
OCPP	Protocollo Open Charge Point.
PE	Messa a terra di salvaguardia.
RCBO	Interruttore per correnti residue con protezione da sovracorrente.
RCD	Dispositivo a corrente residua.

## 8.2. Dichiarazione di conformità UE

EVBox B.V. dichiara che l'apparecchiatura radio di tipo EVBox Liviqo è conforme alla Direttiva 2014/53/UE. Il testo integrale della Dichiarazione di conformità UE è disponibile all'indirizzo [help.evbox.com](http://help.evbox.com).

### Informazioni sulla regolamentazione

Tecnologia	Bande di frequenza	Potenza massima in uscita
GSM 900	890 MHz – 915 MHz	27,77 dBm
GSM 1800	1710 MHz – 1785 MHz	24,77 dBm
Banda LTE 3	1710 MHz – 1785 MHz	28,48 dBm
Banda LTE 8	880 MHz – 915 MHz	28,48 dBm
Banda LTE 20	832 MHz – 862 MHz	28,48 dBm
Banda LTE 28	703 MHz – 748 MHz	28,48 dBm
WLAN (802.11 b/g/n)	2412 MHz – 2484 MHz	16,79 dBm
WLAN (802.11a/n/ac)	5150 MHz – 5250 MHz	16,63 dBm
WLAN (802.11a/n/ac)	5725 MHz – 5850 MHz	11,46 dBm
RFID	13,56 MHz	19,00 dBm

# EVBox Liviqo

## Cable





# Inhoudsopgave

1. Inleiding	283
1.1. Toepassingsgebied van de handleiding	283
1.2. Symbolen die in deze handleiding worden gebruikt	283
1.3. Pictogrammen die in deze handleiding worden gebruikt	284
1.4. Certificering en naleving	284
2. Veiligheid	284
2.1. Veiligheidsmaatregelen	284
2.2. Voorzorgsmaatregelen voor verplaatsing en opslag	286
3. Productkenmerken	287
3.1. Beschrijving	287
3.2. Technische specificaties	287
3.3. Geleverde onderdelen	289
4. Installatie-instructies	289
4.1. Voorbereiden op installatie	289
4.1.1. Installatie voorbereiden	289
4.1.2. Vereist gereedschap	291
4.1.3. Voedingsvereisten	291
4.1.4. Optioneel: dynamische Load Balancing	294
4.1.5. Optioneel: gebundelde Load Balancing	294
4.1.6. Alleen voor toepasselijke landen: vermogensregeling op afstand door DSO	296
4.2. Uitpakken	296
4.3. Installeer de muurbeugel en het laadstation	298
4.4. De stroomkabel aansluiten	300
4.5. Communicatie laadstation	306
4.5.1. Communicatiekabels geleiden	307
4.5.2. Optioneel: ethernetkabel aansluiten voor internet	308
4.5.3. Optioneel: simkaart installeren voor internet	309
4.5.4. Optioneel: kabel voor dynamische Load Balancing aansluiten	310
4.5.5. Alleen voor toepasselijke landen: sluit de kabel voor vermogensregeling op afstand aan	310
4.5.6. De kabelwartel vastdraaien	311
4.6. Installeer de covers op het laadstation	312
4.7. Configuratie	316
4.7.1. Het laadstation configureren	316
4.7.2. Optioneel: activeer het laadstation via het CMP	317
4.7.3. Klaar voor gebruik	317
5. Gebruikersinstructies	317
5.1. Een laadsessie starten en stoppen	317
5.2. Statusindicatie	318
5.3. Onderhoud door gebruiker	319
5.4. Inloggen op het laadstation	319
6. Problemen oplossen	320
6.1. Foutindicatie	320
6.2. Toegang tot de RCBO	320
7. Ontmanteling	323
8. Bijlage	323
8.1. Woordenlijst	323

NL

# 1. Inleiding

In deze installatie- en gebruikershandleiding wordt beschreven hoe u het laadstation moet installeren en gebruiksklaar moet maken. U moet de veiligheidsinformatie zorgvuldig lezen voordat u aan de slag gaat.

## 1.1. Toepassingsgebied van de handleiding

De installatie- en configuratie-instructies in deze handleiding zijn uitsluitend bedoeld voor gekwalificeerde installateurs die de werkzaamheden kunnen beoordelen en mogelijke gevaren kunnen identificeren.

De gebruikersinstructies zijn bedoeld voor gebruikers van de laadpaal.

Bewaar alle documentatie die met het laadstation is meegeleverd op een veilige plaats gedurende de gehele levenscyclus van het product. Stuur alle documentatie door naar alle volgende eigenaars of gebruikers van het product.

Alle EVBox-handleidingen kunnen worden gedownload van [evbox.com/manuals](https://evbox.com/manuals).

### Disclaimer

Dit document is alleen opgesteld voor informatieve doeleinden en vormt geen bindend aanbod of contract met EVBox. EVBox heeft dit document naar beste kennis opgesteld. Er wordt geen uitdrukkelijke of impliciete garantie gegeven voor de volledigheid, nauwkeurigheid, betrouwbaarheid of geschiktheid voor een specifiek doel van de inhoud en de daarin voorgestelde producten en diensten. Specificaties en prestatiegegevens bevatten gemiddelde waarden binnen de bestaande specificatietoleranties en kunnen zonder voorafgaande kennisgeving worden gewijzigd. EVBox verwerpt uitdrukkelijk iedere aansprakelijkheid voor directe of indirecte schade, in de ruimste zin, die voortvloeit uit of verband houdt met het gebruik of de interpretatie van dit document.

© EVBox. Alle rechten voorbehouden. De naam EVBox en het EVBox logo zijn handelskenmerken van EVBox B.V. of een van hun partners. Niets uit dit document mag worden gewijzigd, gereproduceerd, verwerkt of gedistribueerd in welke vorm of op welke wijze dan ook, zonder voorafgaande schriftelijke toestemming van EVBox.

EVBox Manufacturing B.V.  
Kabelweg 47  
1014 BA Amsterdam  
Nederland  
[help.evbox.com](https://help.evbox.com)

## 1.2. Symbolen die in deze handleiding worden gebruikt

### Symbolen die in deze handleiding worden gebruikt

#### GEVAAR!

Duidt een dreigende gevaarlijke situatie met een hoog risicolevel aan die, als het gevaar niet vermeden wordt, zwaar letsel of dood kan veroorzaken.

#### ATTENTIE

Duidt een mogelijk gevaarlijke situatie met een matig risicolevel aan die, als de waarschuwing niet gevolgd wordt, zwaar letsel of dood kan veroorzaken.

#### LET OP!

Duidt een mogelijk gevaarlijke situatie met een gemiddeld risicolevel aan die, als de waarschuwing niet gevolgd wordt, licht tot matig letsel of schade aan de apparatuur kan veroorzaken.

#### Opmerking

Opmerkingen bevatten nuttige suggesties, of verwijzingen naar informatie die niet in deze handleiding staat.

- 1., a. of i. Handelingen moeten in de aangegeven volgorde worden uitgevoerd.

### 1.3. Pictogrammen die in deze handleiding worden gebruikt



Kies één functie



Installateur



Gebruiker



Visueel inspecteren



Alleen gebruiken op een droge locatie



Gebruik geen elektrische schroevendraaier



Wisselstroomvoeding

### 1.4. Certificering en naleving

	Het laadstation is door de fabrikant CE-gecertificeerd en heeft het CE-logo. De relevante conformiteitsverklaring is verkrijgbaar bij de fabrikant.
	Elektrische en elektronische apparaten, inclusief accessoires, moeten gescheiden van het algemeen huishoudelijke afval afgevoerd worden.
	Het recyclen van materialen bespaart grondstoffen en energie en levert een belangrijke bijdrage aan het behoud van het milieu.



FR

Cet appareil et ses accessoires se recyclent

À DÉPOSER EN MAGASIN

À DÉPOSER EN DÉCHÈTERIE



OU

Points de collecte sur [www.quefairedemesdechets.fr](http://www.quefairedemesdechets.fr)  
Privilégiez la réparation ou le don de votre appareil !

#### Opmerking

Zie [EU-conformiteitsverklaring op pagina 324](#) voor de conformiteitsverklaring voor dit product.

## 2. Veiligheid

### 2.1. Veiligheidsmaatregelen

#### GEVAAR!

Het niet volgen van de installatie- en gebruikersinstructies in deze handleiding resulteert in het risico op een elektrische schok, wat ernstig of dodelijk letsel veroorzaakt.

- Lees deze handleiding voorafgaand aan het installeren of het gebruik van het laadstation.

#### GEVAAR!

Installatie, onderhoud, reparatie en verplaatsing van dit laadstation door een niet-gekwalificeerd persoon zal risico op elektrische schokken met zich meebrengen, wat ernstig letsel of de dood tot gevolg heeft.

- Alleen een gekwalificeerde electricien mag het laadstation installeren, onderhouden, repareren en verplaatsen.
- De gebruiker mag geen poging doen om onderhoud uit te voeren op dit laadstation of dit te repareren, aangezien het geen door de gebruiker te onderhouden onderdelen bevat.
- Lokale regelgeving kan van toepassing zijn en kan variëren afhankelijk van uw regio of land van gebruik. De gekwalificeerde electricien moet er altijd voor zorgen dat het laadstation wordt geïnstalleerd volgens de plaatselijke voorschriften.

#### GEVAAR!

Werken aan elektrische installaties zonder gepaste voorzorgsmaatregelen leidt tot het risico op een elektrische schok, met ernstig letsel of de dood tot gevolg.

- Schakel de invoerstroom uit voordat u het laadstation installeert.
- Schakel het laadstation niet in als het niet is geïnstalleerd of niet goed is bevestigd.
- Installeer geen laadstation dat defect is of een waarneembaar probleem heeft.

### **GEVAAR!**

Overmatige blootstelling van het laadstation aan water kan resulteren in een elektrische schok, wat kan leiden tot ernstig of dodelijk letsel.

- Richt geen krachtige waterstralen naar of op het laadstation.
- Steek de laadstekker niet in vloeistof.

### **GEVAAR!**

Het gebruik van het laadstation wanneer deze beschadigd of versleten is kan resulteren in het risico op elektrische schokken, wat kan leiden tot ernstig of dodelijk letsel.

- Gebruik het laadstation niet als de stroomtoevoer, de behuizing of een EV-verbinding kapot, gescheurd of open is of enige andere vorm van schade vertoont.
- Bedien het laadstation niet als de laadkabel gerafeld is, het isolatiemateriaal gescheurd is of enige andere vorm van schade vertoont.
- In het geval van gevaar en/of een ongeluk, ontkoppel onmiddellijk de stroomtoevoer naar het laadstation.
- Neem contact op met uw installateur als u denkt dat het laadstation beschadigd is.

### **ATTENTIE**

Installatie van het laadstation tijdens natte weersomstandigheden (zoals regen of mist) kan resulteren in risico op elektrische schokken en schade aan het product, wat tot zwaar letsel of dood kan leiden.

- Installeer of open het laadstation niet tijdens natte weersomstandigheden (zoals regen of mist).

### **ATTENTIE**

Onjuist gebruik van het laadstation zal resulteren in het risico op elektrische schokken, wat kan leiden tot (dodelijk) letsel.

- Zorg dat het contactgedeelte van de laadstekker vrij is van vuil en vocht voordat u een laadsessie begint.
- Zorg ervoor dat de laadkabel zo wordt geplaatst dat er niet op kan worden gestaan, over gestruikeld of overheen gereden kan worden of op een andere manier aan overmatige kracht of schade wordt blootgesteld. Zorg er, indien van toepassing, voor dat de laadkabel correct is opgeborgen wanneer deze niet wordt gebruikt, en zorg ervoor dat de laadstekker de grond niet raakt.
- Trek alleen aan de handgreep van de laadstekker en nooit aan de laadkabel zelf.
- Houd het laadstation, de laadkabel en de stekker uit de buurt van warmtebronnen, vuil en water.
- Gebruik geen explosieve of brandbare stoffen in de buurt van het laadstation.

### **ATTENTIE**

Het gebruik van adapters, conversieadapters of verlengsnoeren met het laadstation kan resulteren in technische incompatibiliteiten en in schade aan het laadstation, wat (dodelijk) letsel kan veroorzaken.

- Gebruik dit laadstation alleen om elektrische voertuigen op te laden die compatibel zijn. Raadpleeg voor details de specificaties van het laadstation in de installatiehandleiding van het laadstation.
- Raadpleeg de gebruikershandleiding van uw voertuig om te controleren of uw voertuig compatibel is.

### **ATTENTIE**

Blootstelling van het laadstation of de laadkabel aan hitte of brandbare stoffen kan resulteren in schade aan het laadstation, wat (dodelijk) letsel kan veroorzaken.

- Zorg ervoor dat het laadstation en de laadkabel nooit in contact komen met hitte.
- Gebruik geen explosieve of brandbare stoffen in de buurt van het laadstation.

### **ATTENTIE**

Het gebruik van het laadstation onder omstandigheden die niet worden beschreven in deze handleiding kan resulteren in schade aan het laadstation, wat (dodelijk) letsel kan veroorzaken.

- Gebruik het laadstation alleen onder de aangegeven bedieningsvoorwaarden in deze handleiding.

### **ATTENTIE**

Werken aan elektrische installaties zonder gebruik te maken van persoonlijke beschermingsmiddelen kan resulteren in het risico op letsel.

- Gebruik persoonlijke beschermingsmiddelen zoals oogbescherming, snijbestendige handschoenen en antislip-veiligheidsschoenen om persoonlijk letsel te voorkomen.

**⚠ ATTENTIE**

Bij brand kan het niet opvolgen van de brandbestrijdingsinstructies leiden tot een verhoogd gevaar, wat (dodelijk) letsel kan veroorzaken.

- Indien dit veilig is om te doen, ontkoppel de stroomtoevoer naar de apparatuur dat in brand staat of door vuur bedreigd wordt.
- Gebruik geen water om elektrische installaties en apparatuur te blussen die onder spanning staan.
- Gebruik voor het blussen van laadstations een brandblusser die is gespecificeerd voor gebruik op elektrische apparatuur met een vermogen tot 1 kV.

**⚠ LET OP!**

Het laden van een voertuig terwijl de laadkabel niet volledig is afgerold kan resulteren in oververhitting van de kabel, wat het laadstation kan beschadigen.

- Rol de laadkabel helemaal uit voordat u deze met het voertuig verbindt, zodat er geen overlappende lussen zijn.

**⚠ LET OP!**

Vingers in het stopcontact steken of andere objecten in het stopcontact laten zitten (bijvoorbeeld tijdens het schoonmaken) kan letsel of schade aan het laadstation veroorzaken.

- Steek uw vingers niet in het stopcontact.
- Laat geen voorwerpen in het stopcontact zitten.

**⚠ LET OP!**

Het niet nemen van voorzorgsmaatregelen tegen ESD (Electrostatic discharge) kan de elektronische onderdelen van het laadstation beschadigen.

- Neem de nodige voorzorgsmaatregelen tegen ESD voordat u de elektronische onderdelen aanraakt.

**⚠ LET OP!**

Het niet inschakelen van firmware-updates voor dit laadstation, of het uitschakelen, afmelden voor of op andere wijze nalaten om beschikbare firmware-updates te installeren kan ervoor zorgen dat het laadstation problemen ondervindt, incorrect functioneert en vatbaarder is voor veiligheids- of beveiligingsrisico's.

## 2.2. Voorzorgsmaatregelen voor verplaatsing en opslag

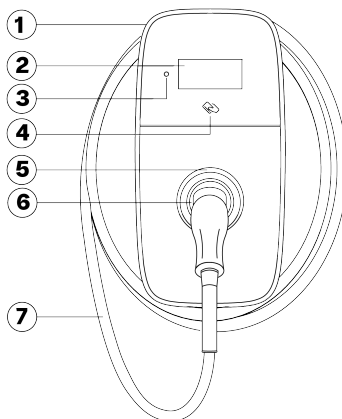
Volg de volgende richtlijnen bij het verplaatsen en opbergen van het laadstation:

- Til het laadstation nooit op aan de laadkabel.
- Koppel de stroomvoorziening los voordat u het laadstation voor opslag of verplaatsing verwijdert.
- Verplaats en bewaar het laadstation alleen in de originele verpakking. Wij zijn niet aansprakelijk voor schade die ontstaat wanneer het product in een niet-standaard verpakking wordt vervoerd.
- Bewaar het laadstation in een droge omgeving in het temperatuur- en vochtigheidsbereik dat in de Technische specificaties wordt vermeld (zie [Technische specificaties op pagina 287](#)).

## 3. Productkenmerken

### 3.1. Beschrijving

- Laadstation**  
 Het laadstation levert op een veilige manier elektrisch vermogen van het elektriciteitsnet naar het elektrische voertuig (EV).
- Display**  
 Het display leidt de gebruiker door de vereiste acties en toont informatie over de laadsessie.
- Lichtsensoren en nabijheidssensor**  
 De lichtsensoren meten de lichtsterkte om de helderheid van het display en de led-ring automatisch aan te passen. De nabijheidssensor schakelt het display in wanneer een persoon zich in de buurt van het laadstation bevindt.
- RFID-lezer**  
 Dit is de zone waar u uw laadpas of handzender scant om een laadsessie te starten of te stoppen.
- Led-ring**  
 De led-ring geeft de status aan van het laadstation.
- Station**  
 Het station houdt de stekker van de laadkabel vast als deze niet in gebruik is.
- Laadkabel**  
 De laadkabel verbindt het laadstation met het EV. De laadkabel wordt rond het station opgeborgen wanneer de kabel niet in gebruik is.



### 3.2. Technische specificaties

Kenmerk	Beschrijving
<b>Elektrische eigenschappen</b>	
Maximaal laadvermogen	Tot 22 kW (3-fase, 32 A) <b>i</b> <b>Opmerking</b> Er kan derating optreden. Het laadvermogen hangt af van factoren zoals de vraag van de EV, de beschikbare voeding en de omgevingstemperatuur.
Laadmodus	Modus 3 (IEC 61851-1)
Vast laadkabel	Type 2-stekker (IEC 62196-1, IEC 62196-2)
Lengte van laadkabel	6 m
kWh-meter	MID-goedgekeurd met klasse B nauwkeurigheid (EN-50470) Meter die aan Eichrecht voldoet <sup>(1)</sup>
Invoercapaciteit	6–32 A configureerbaar 1-fase, 230 V ±10%, maximaal 32 A ±6%, 50/60 Hz 3-fase, 400 V ±10%, maximaal 32 A ±6%, 50/60 Hz
Diameter mantel stroomkabel	12 tot 25 mm

Kenmerk	Beschrijving
Draadmaat stroomkabel	Massieve draad: maximaal 16 mm <sup>2</sup> Gevlochten draad met adereindhuls (zonder plastic huls): maximaal 10 mm <sup>2</sup>
Nominale stoothoudspanning ( <i>U<sub>imp</sub></i> )	4000 V
Nominale isolatiespanning ( <i>U<sub>i</sub></i> )	250 V AC (fase naar aarde) 450 V AC (fase naar fase)
Detectie van lekstroom	Uitschakelingstijden en -limieten zijn conform IEC 61851-1:2017 Cl. 8.5. (in overeenstemming met IEC 62955:2018 Tabel 2). Zie <a href="#">Voedingsvereisten op pagina 291</a> . RCBO: Type A of Type B
<b>Omgeving en veiligheidsklasse</b>	
Operationeel temperatuurbereik	-30 °C tot +50 °C
Temperatuurbereik opslag	-40 °C tot +80 °C
Luchtvochtigheid (niet-condenserend)	5% tot 95%
Maximale installatiehoogte	2000 m boven de zeespiegel
Behuizingscodes	IP55 (IEC 60529), IK10 (IEC 62262)
Veiligheidsklasse	Veiligheidsklasse I en Overspanningscategorie III
Vervuilingsgraad van de macro-omgeving	Vervuilingsgraad 3
Classificatie elektromagnetische compatibiliteit (EMC)	Omgeving A en Omgeving B (in overeenstemming met IEC 61439-1)
Mechanische weerstand voor stationaire montage	Hoge weerstand
<b>Connectiviteit</b>	
Autorisatie	RFID-lezer of via een app
Wifi	2,4/5 GHz
Local Area Network	Ethernet
Mobiele communicatie	4G LTE-M (2G-terugval wordt ondersteund)
Communicatieprotocol	OCPP 2.0.1
Functies van smart charging	Dynamische Load Balancing, Gebundelde Load Balancing, voldoet aan EEBus, ISO 15118 (kant-en-klare hardware)
<b>Fysieke eigenschappen</b>	
Afmetingen (B x H x D)	256 x 508 x 211 mm
Gewicht	Ongeveer 8,4 kg
Materiaal behuizing	Koolstofarm Makrolon RE®
HMI	5" 800 x 480 WVGA IPS LCD, LED-ring, zoemer, autorisatie
<b>Certificering en naleving</b>	
Invoer voeding	EV-voedingsapparatuur permanent aangesloten op het wisselstroomnet
Uitvoer voeding	EV-voedingsapparatuur wisselstroom
Normale omgevingsomstandigheden	Gebruik binnen en buiten
Toegang	Apparatuur voor locaties met niet-beperkte toegang
Apparatuurtype	Stationaire apparatuur die aan de muur of aan een paal is bevestigd

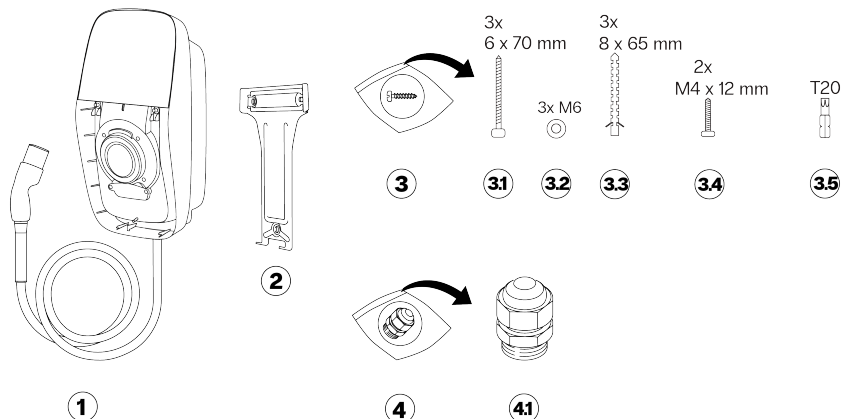


## 4. Installatie-instructies

<sup>(1)</sup>Optioneel.

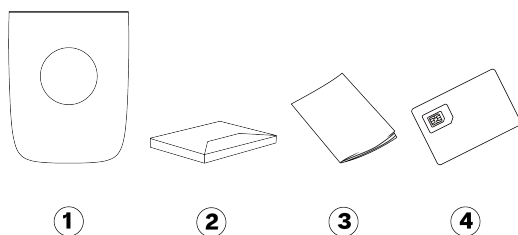
### 3.3. Geleverde onderdelen

#### Onderdelen in de doos van het laadstation



- |     |                                     |     |  |
|-----|-------------------------------------|-----|--|
| 1   | Laadstation met laadkabel           | 3.3 | Muurpluggen, 8 x 65 mm, 3x                         |
| 2   | Wandbeugel                          | 3.4 | Schroeven, M4 x 12 mm, T20, 2x                     |
| 3   | Installatieset                      | 3.5 | Torx-bit, T20-veiligheid                           |
| 3.1 | Paneelschroeven, 6 x 70 mm, T20, 3x | 4   | Kabelwartelset                                     |
| 3.2 | Sluiteringen, M6, 3x                | 4.1 | Kabelwartel, 12-20 mm, met afdicht- en afsluitplug |

#### Onderdelen in de doos van de cover



- |   |                           |   |                                       |
|---|---------------------------|---|---------------------------------------|
| 1 | Voorkant                  | 3 | Installatie- en gebruikershandleiding |
| 2 | Welkomspakket (optioneel) | 4 | Simkaart (optioneel)                  |

## 4. Installatie-instructies

### 4.1. Voorbereiden op installatie

#### 4.1.1. Installatie voorbereiden

De volgende aanbevelingen helpen u bij het plannen van de installatie van het laadstation.

##### Locatie kiezen

- Plaats het laadstation, indien mogelijk, op een plek waar dit niet wordt blootgesteld aan direct zonlicht of kwetsbaar kan zijn voor externe schade.
- De muur moet een vlakke structuur hebben en een belasting van minstens 100 kg kunnen dragen.
- Rondom het laadstation moet een minimale vrije ruimte van 300 mm voorzien zijn.
- De locatie mag geen scherpe bochten in de laadkabel veroorzaken.

- De stroomkabel kan van boven of van onder in het laadstation worden gestoken. De onderste kabelingang A kan op elke locatie worden gebruikt. De bovenste kabelingang B mag alleen worden gebruikt op locaties waar er geen risico bestaat op blootstelling aan regen of vocht.

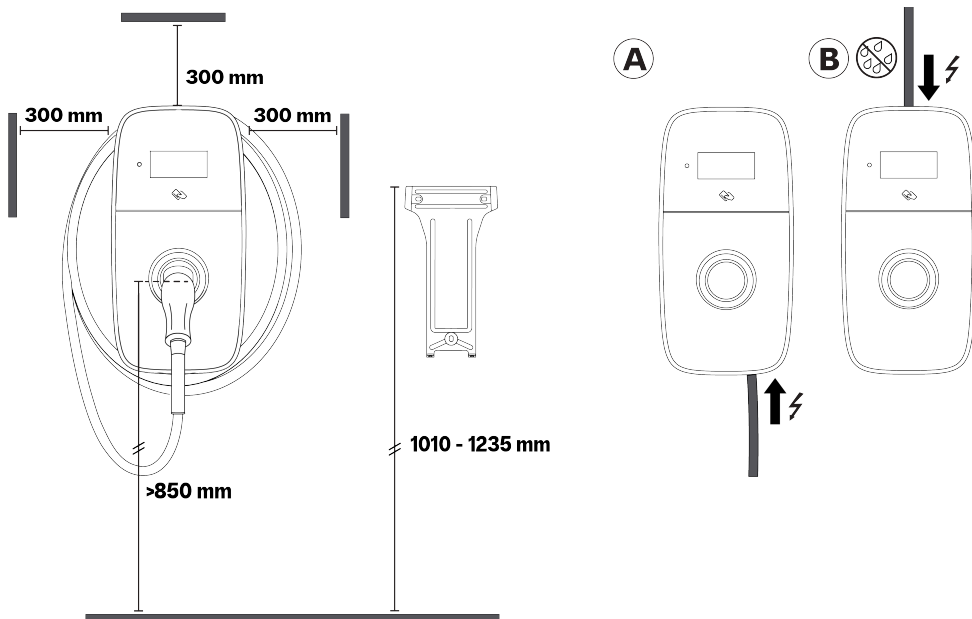
**⚠ LET OP!**

Risico op binnendringen van water wanneer de bovenste kabelingang B buiten wordt gebruikt. Na verloop van een langere periode kunnen regen en vocht het laadstation langs de stroomkabel binnendringen, wat het laadstation kan beschadigen.

- De communicatiekabel kan alleen via de onderkant van het laadstation worden ingevoerd.

**i Opmerking**

In de volgende afbeelding wordt de minimaal aanbevolen installatiehoogte weergegeven. Houd u aan de plaatselijke toegankelijkheidsvoorschriften.

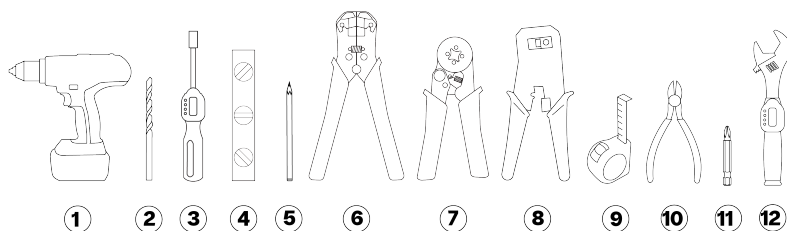


### Checklist vóór de installatie

Controleer het volgende voorafgaand aan de installatie van het laadstation:

- De installatie moet in overeenstemming zijn met IEC 60364 en alle toepasselijke lokale regelgeving.
- Alle nodige vergunningen zijn verkregen van de lokale autoriteit met rechtsbevoegdheid.
- De bestaande elektrische belasting is berekend om de maximale bedrijfsstroom voor de laadpaalinstallatie te vinden.
- Voor een laadstation zonder RCBO worden een miniaturstroomonderbreker (MCB) en aardlekschakelaar (RCD) met de aanbevolen ampérages stroomopwaarts geïnstalleerd. Zie [Voedingsvereisten op pagina 291](#).
- De voedingskabel met de juiste specificatie is naar het installatiegebied geleid en er is voldoende kabellengte om de draden te strippen en aan te sluiten.
- De voedingskabel blijft tijdens en na de installatie binnen de buigtolerantie.
- De aanbevolen gereedschappen zijn ter plaatse beschikbaar. Zie [Vereist gereedschap op pagina 291](#).
- De pluggen, schroeven en boorbit die voor de installatie van het laadstation worden gebruikt, zijn geschikt voor de structuur van de muur.
- Als er een clusteropstelling wordt toegepast, is de juiste fasevolgorde gepland en aan de vereisten voldaan. Zie [Optioneel: gebundelde Load Balancing op pagina 294](#).

### 4.1.2. Vereist gereedschap



- |   |                                      |
|---|--------------------------------------|
| 1. Boor   | 7. Krimptang voor adereindhulzen     |
| 2. Boorbit voor metselwerk, 8 mm (5/16 in)        | 8. Draadstripper en krimptang (RJ45) |
| 3. Momentschroevendraaier met bithouder, 0,5-3 Nm | 9. Rolmaat                           |
| 4. Waterpas                                       | 10. Kniptang                         |
| 5. Potlood  | 11. Schroevendraaierbit, PH2         |
| 6. Draadstripper (stroomkabel)                    | 12. Momentsleutel, 3-6 Nm            |

### 4.1.3. Voedingsvereisten

**⚠ GEVAAR!**

Het verbinden van het laadstation met de stroomtoevoer op een andere manier dan is beschreven in deze sectie, zal resulteren in incompatibiliteit van de installatie en het risico op een elektrische schok, wat schade aan het laadstation zal veroorzaken en (dodelijk) letsel.

- Verbind het laadstation alleen in een configuratie die in deze sectie is beschreven.

Aardingssysteem	TN-S- en TNC-S-systemen	PE-kabel.
	TT-systeem IT-systeem	Aardelektrode, afzonderlijk geïnstalleerd (zelf geïnstalleerd).
Opgenomen vermogen (fase)	1-fase	230 V ±10%, maximaal 32 A ±6%, 50/60 Hz.
	3-fase	400 V ±10%, maximaal 32 A ±6%, 50/60 Hz.
MCB (miniatuurstroomonderbreker)	<ul style="list-style-type: none"> <li>• Uitschakelingskenmerk: type c.</li> <li>• De uitschakelstroom van de MCB kan afnemen als de omgevingstemperatuur in de voedingskast hoog wordt. Overweeg potentiële hogere omgevingstemperaturen bij het kiezen van de MCB-specificaties.</li> <li>• Niet vereist voor stations met een ingebouwde RCBO.</li> </ul> <p><b>i Opmerking</b></p> <ul style="list-style-type: none"> <li>• De installatie, inclusief de MCB, moet in overeenstemming zijn met IEC 60364 en alle toepasselijke lokale regelgeving.</li> <li>• De MCB moet overeenkomen met de stroomsterkte-instellingen van het laadstation en de maximaal beschikbare stroom voor het laadstation, in overeenstemming met de specificaties van de MCB-fabrikant.</li> <li>• De maximale I<sup>2</sup>t-waarde van de MCB mag niet hoger zijn dan 75000 A<sup>2</sup>s.</li> </ul>	

NL

RCD (aardlekschakelaar)	<ul style="list-style-type: none"> <li>• RCD-ampèrewaarde: de waarde moet overeenkomen met de ampèrage van het laadstation.</li> <li>• Standaardinstallaties:             <ul style="list-style-type: none"> <li>◦ Voor Frankrijk moet de RCD van het Type B zijn met een nominale stroom van 20 A of 40 A en een lekstroomdetectie van maximaal 30 mA AC hebben.</li> <li>◦ Voor andere landen moet de RCD van het Type A, F of B zijn met een nominale stroom van 20 A, 32 A of 40 A en een lekstroomdetectie van maximaal 30 mA AC hebben.</li> </ul> </li> <li>• EV Ready-installaties: de RCD moet van het type A+ zijn, met hoge immuniteit (bijvoorbeeld: HPI, SI, HI, KV, etc., afhankelijk van de fabrikant van de RCD).</li> <li>• Niet vereist voor stations met een ingebouwde RCBO.</li> </ul> <p><b>i Opmerking</b></p> <ul style="list-style-type: none"> <li>• De installatie, inclusief de RCD, moet in overeenstemming zijn met IEC 60364 en alle toepasselijke lokale regelgeving.</li> <li>• Het laadstation beschikt over interne DC-lekdetectie met uitschakelingstijden en -limieten conform IEC 61851-1:2017 Cl. 8.5. (in overeenstemming met IEC 62955:2018 Tabel 2).</li> </ul>
-------------------------	---

### Voedingsbedrading

In de onderstaande tabellen ziet u hoe u de voeding aansluit op het laadstation, afhankelijk van de specificaties van de voeding en de configuratie van het station.

#### **⚠ ATTENTIE**

Het aansluiten van een IT-voedingssysteem (zonder neutrale draad) naar een ingebouwde RCBO van Type A kan het laadstation beschadigen, wat letsel of overlijden tot gevolg kan hebben.

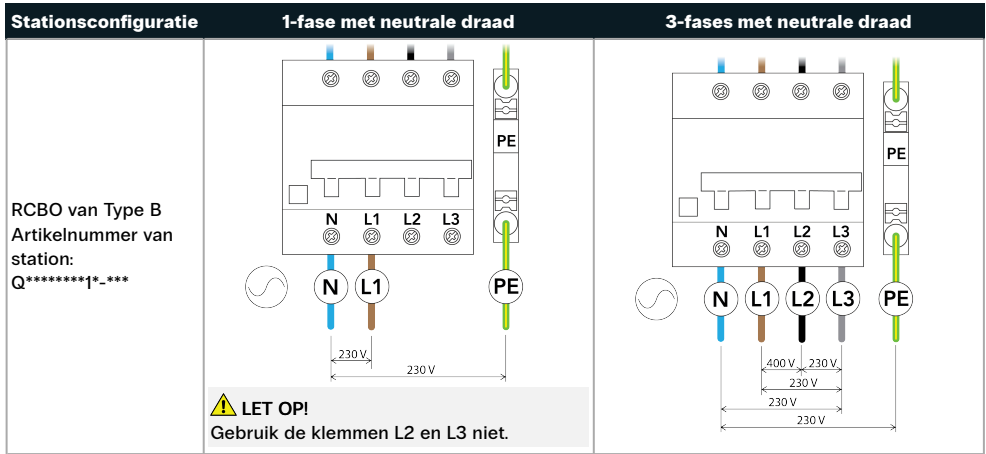
- Sluit alleen een TN of TT 3-fase voedingssysteem (met neutrale draad) aan op een ingebouwde RCBO van Type A.

### TN- en TT-voeding naar RCBO

#### **i Opmerking**

Dit gedeelte is alleen van toepassing op stations met een ingebouwde RCBO.

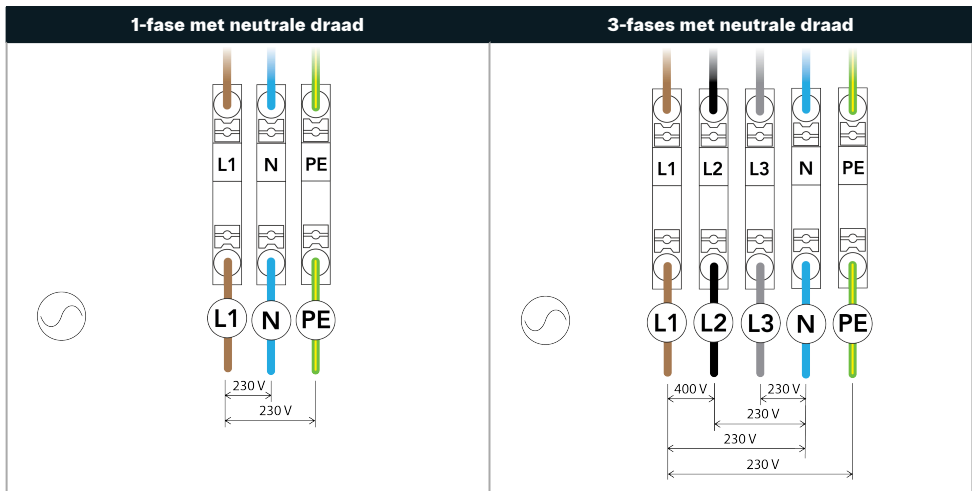
Stationsconfiguratie	1-fase met neutrale draad	3-fases met neutrale draad
RCBO van Type A Artikelnummer van station: Q*****g*.*	<p><b>⚠ LET OP!</b></p> <p>Niet ondersteund. Sluit een 1-fase energievoorziening niet aan op een laadstation met een 3-fase voorziening met neutrale RCBO.</p>	



NL

TN- en TT-voedingssystemen

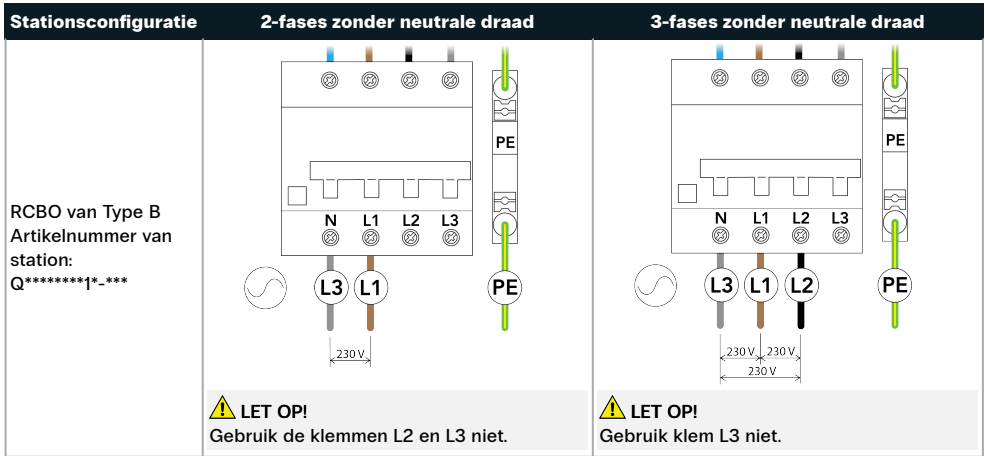
**Opmerking**  
 Dit gedeelte is alleen van toepassing op stations zonder ingebouwde RCBO.



IT-voedingssysteem (zonder neutrale draad) naar RCBO

**LET OP!**  
 Zorg ervoor dat de lokale regelgeving de installatie van dit laadstation op een IT-net zonder neutrale draad toestaat. Zorg ervoor dat het voertuig compatibel is met dit soort installatie.

**Opmerking**  
 Dit gedeelte is alleen van toepassing op stations met een ingebouwde RCBO.



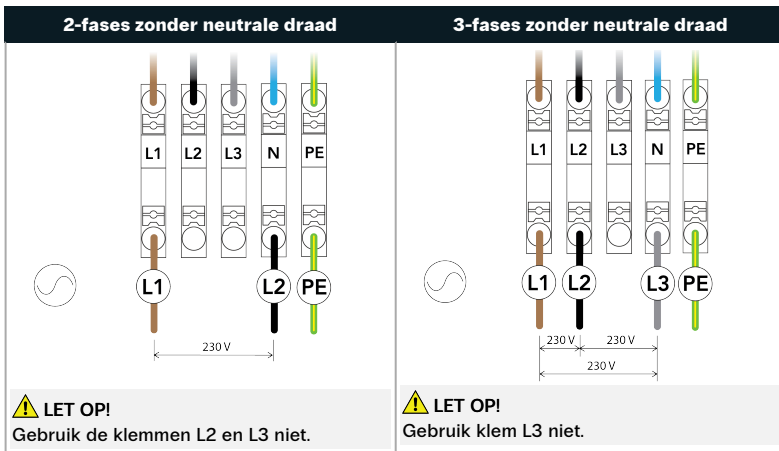
### IT-voedingssysteem (zonder neutrale draad)

**⚠ LET OP!**

Zorg ervoor dat de lokale regelgeving de installatie van dit laadstation op een IT-net zonder neutrale draad toestaat. Zorg ervoor dat het voertuig compatibel is met dit soort installatie.

**i Opmerking**

Dit gedeelte is alleen van toepassing op stations zonder ingebouwde RCBO.



### 4.1.4. Optioneel: dynamische Load Balancing

Dynamische Load Balancing monitort het stroomverbruik van alle elektrische apparaten die dezelfde voedingsbron gebruiken. De levert een controlesignaal aan het laadstation om de voeding te reguleren die het station aan het EV levert, zodat het totale stroomverbruik van de voedingsbron binnen de vooraf ingestelde limieten blijft. In een clusterinstallatie reguleert het aangesloten laadstation de andere laadstations die deel uitmaken van het cluster.

Dynamische Load Balancing vereist een bekabelde invoer vanaf een Load Balancing-detectiesysteem (zie [Communicatie laadstation op pagina 306](#)).

### 4.1.5. Optioneel: gebundelde Load Balancing

Een gebundelde Load Balancing-installatie bestaat uit meerdere oplaadstations die als cluster zijn verbonden.

#### 4. Installatie-instructies

Een cluster zorgt ervoor dat een slim net kan worden opgezet door het cluster om energiegebruik te optimaliseren. Elk station kan als het aangesloten station in het cluster gebruikt worden. Het cluster wordt opgezet met behulp van EVBox Install App. Voor correct Load Balancing moet een cluster aan een enkel voedingscircuit verbonden zijn.

Voor gebundelde Load Balancing moet elk station in het cluster zijn aangesloten op hetzelfde lokale gebiedsnetwerk (LAN) met behulp van de Ethernet-aansluiting (zie [Communicatie laadstation op pagina 306](#)).

#### Vereisten voor Gebundelde Load Balancing

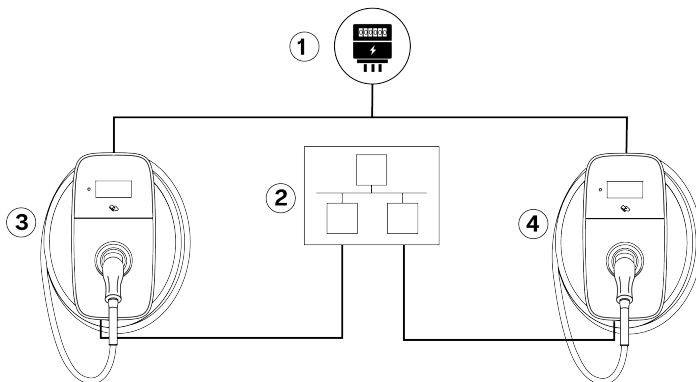
Ethernetschakelaar	<ul style="list-style-type: none"><li>• IPv6-ondersteuning</li><li>• Niet beheerd</li><li>• Aantal poorten: het aantal poorten moet gelijk zijn aan of groter dan het aantal laders dat op het cluster is aangesloten.</li><li>• RJ45-poort</li><li>• 100 Mbps of hoger</li><li>• Statische Multicasting: uitgeschakeld</li><li>• Dynamische Multicasting (MLD-snooping): uitgeschakeld</li></ul> <p><b>i Opmerking</b></p> <ul style="list-style-type: none"><li>◦ Voor grote clusters kunnen twee of meer schakelaars worden gecombineerd in hetzelfde netwerk.</li><li>◦ Er is een extra poort vereist als de schakelaar voor een internetverbinding wordt gebruikt.</li></ul>
Kabels	<ul style="list-style-type: none"><li>• CAT5</li><li>• Lengte: 100 m maximum lengte voor iedere clusternode</li></ul>

#### Aansluitingsdiagram

Het volgende diagram beschrijft hoe meerdere laadstations worden verbonden in een cluster.

**i Opmerking**

Het diagram bevat niet de internetverbinding van het laadstation. De internetverbinding van het laadstation kan worden ingesteld met behulp van een cellulair netwerk, wifi of ethernet.



1. Stroomtoevoer
2. Ethernetschakelaar
3. AC-lader 1
4. AC-lader N

#### Faserotatie

Om overbelasting van de eerste fase met enkelfasige elektrische voertuigen te voorkomen, moet de fasevolgorde voor ieder laadstation dat is verbonden met een 3-fasige toevoer in een voeding delende installatie worden geconfigureerd met behulp van het/de EVBox Install App.

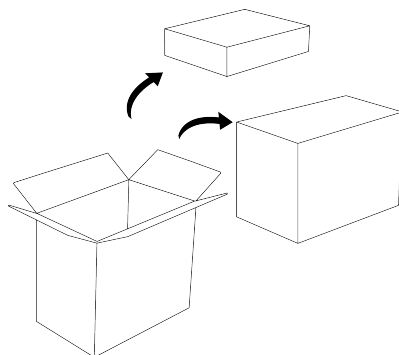
#### 4.1.6. Alleen voor toepasselijke landen: vermogensregeling op afstand door DSO

Volgens de T technische aansluitregels VDE-AR-N-4100:2019-04 Cl. 10.6.4 moet een laadstation met een totaal nominaal vermogen van meer dan 12 kVA een externe vermogensregelingsinterface hebben, zodat het station op afstand uitgeschakeld kan worden door de DSO (Distributiesysteembeheerder - Distribution System Operator). Dit laadstation kan met een kabel worden aangesloten op een upstream DSO-apparaat dat is uitgerust met een normaal open (NO) relais. Wanneer het relais sluit, komt het station in een onderbroken toestand en wordt het opladen gepauzeerd. Het opladen wordt vervolgens hervat wanneer het relais wordt geopend. Zie [Alleen voor toepasselijke landen: sluit de kabel voor vermogensregeling op afstand aan op pagina 310](#) voor kabelaansluitinstructies.

Registratie bij de DSO is verplicht.

## 4.2. Uitpakken

1. Open de verzenddoos. Verwijder de doos van de cover en de doos van het laadstation.

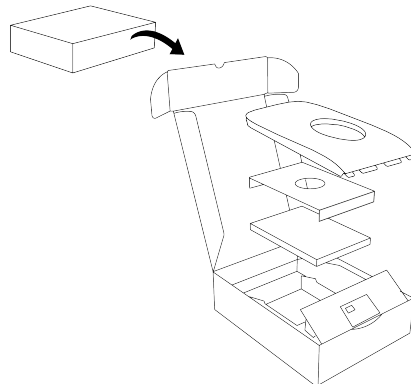


2. Open de doos van de cover. Hierin zijn de frontcover, het welkomstpakket (optioneel), de documentatie van het laadstation en de simkaart (optioneel) te vinden.



### Opmerking

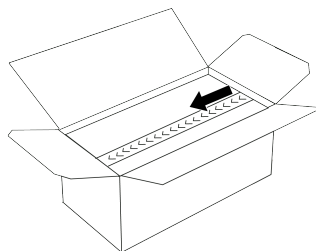
Laat de frontcover in de verpakking tot de installatie om beschadiging te voorkomen.





#### 4. Installatie-instructies

3. Open de doos van het station.

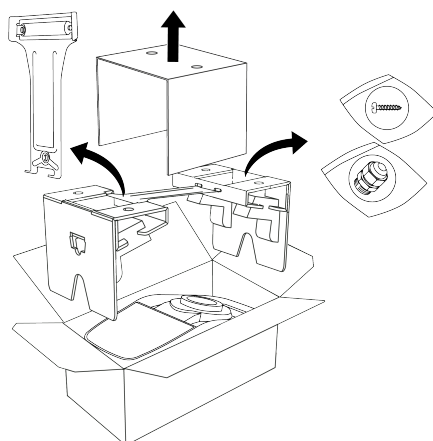


4. Verwijder de drie kartonnen vulmaterialen, de muurbeugel en de installatiesets.



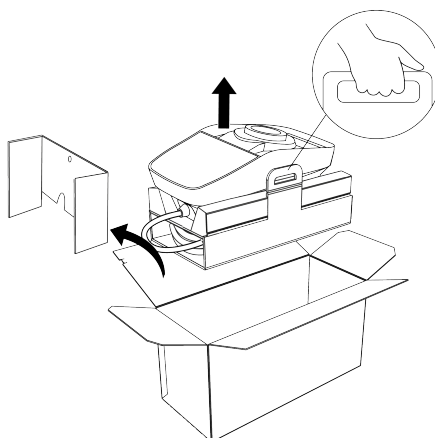
#### Opmerking

Laat het laadstation en de kabel in de verpakking tot de installatie om beschadiging te voorkomen.

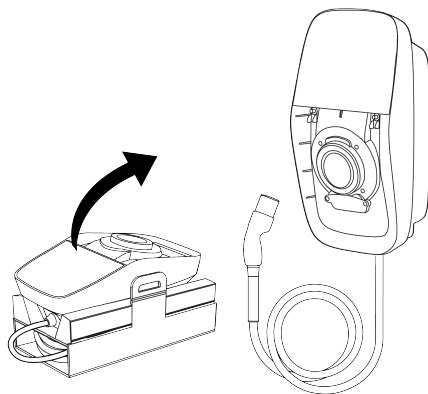


5. Als het station op de muurbeugel geïnstalleerd kan worden, haal het laadstation als volgt uit de verpakking:

- a. Verwijder het kartonnen inzetstuk, en til dan de kartonnen verpakking met het laadstation en de kabel uit de doos van het station.



- b. Haal het laadstation en de laadkabel uit de verpakking.

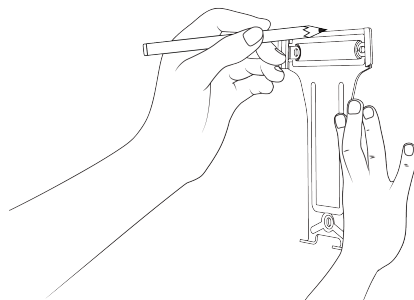


### 4.3. Installeer de muurbeugel en het laadstation

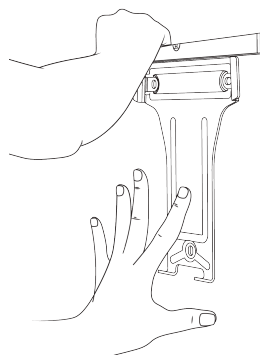
#### LET OP!

Volg de aanbevelingen in [Installatie voorbereiden op pagina 289](#) bij het selecteren van een locatie en een installatiehoogte voor het laadstation en bij het kiezen van een ingang voor de stroomkabel.

1. Installeer de muurbeugel als volgt:
- Markeer de hoogte van de bovenkant van de muurbeugel.

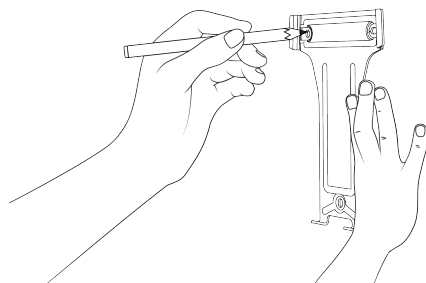


- Houd de muurbeugel tegen de muur en stel deze waterpas.



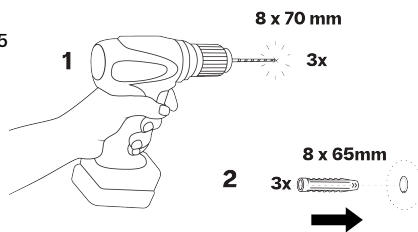
#### 4. Installatie-instructies

- c. Markeer de drie schroefpunten op de muur.  
Verwijder de muurbeugel.

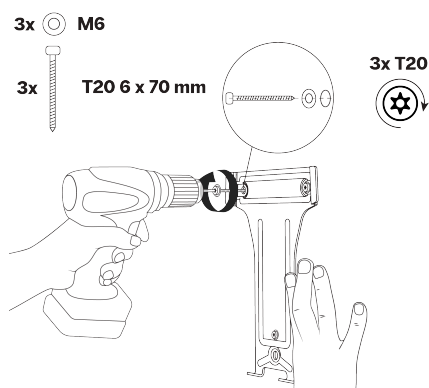


NL

- d. Boor in elk schroefpunt een gat van 8 mm tot een diepte van 70 mm. Breng een muurplug van 8 x 65 mm aan in elk gat.

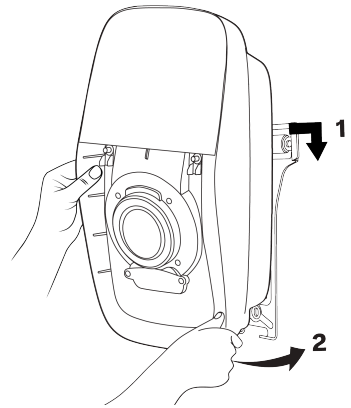


- e. Installeer de muurbeugel met behulp van drie T20-schroeven van 6 x 70 mm en M6-sluitringen.



2. Installeer het laadstation als volgt:

- a. Plaats het laadstation tegen de bovenkant van de muurbeugel en draai het laadstation dan naar beneden om de twee onderste schroefgaten uit te lijnen.

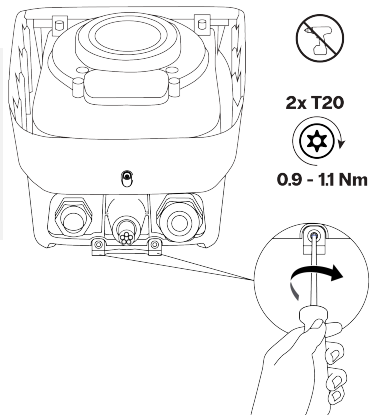


- b. Installeer twee Torx T20-veiligheidsschroeven om het laadstation aan de muurbeugel te bevestigen.

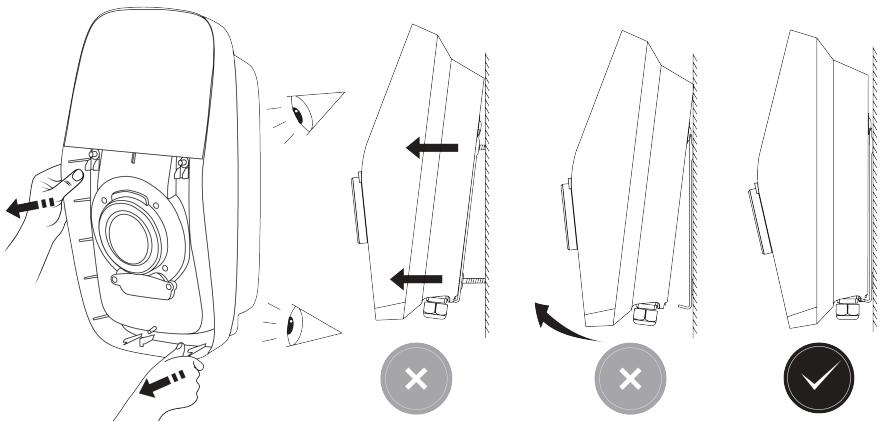
**⚠ LET OP!**

Het gebruik van een elektrische schroevendraaier met een hoog draaimoment kan de schroeven en de onderdelen beschadigen.

- Gebruik alleen een schroevendraaier met laag draaimoment met de juiste instelling van het draaimoment.



- c. Trek voorzichtig aan het laadstation om te controleren of het goed vastzit aan de muurbeugel en de muur.



#### 4.4. De stroomkabel aansluiten

Het laadstation heeft twee onderling verwisselbare kabelwartels:

#### 4. Installatie-instructies

- De geïnstalleerde kabelwartel is bedoeld voor een stroomkabel met een manteldiameter van 13 tot 25 mm.
- De kabelwartelset is bedoeld voor een stroomkabel met een manteldiameter van 12 tot 20 mm.

De klemmen kunnen worden gebruikt met een draadmaat in het volgende bereik:

- Massieve draad: maximaal 16 mm<sup>2</sup>.
- Gevlochten draad met adereindhuls (zonder plastic huls): maximaal 10 mm<sup>2</sup>.

De stroomkabel kan van boven of van onder in het laadstation worden gestoken. De onderste kabelingang A kan op elke locatie worden gebruikt. De bovenste kabelingang B mag alleen worden gebruikt op locaties waar er geen risico bestaat op blootstelling aan regen of vocht.

#### **⚠ LET OP!**

Volg de aanbevelingen in [Installatie voorbereiden op pagina 289](#) bij het selecteren van de ingang voor de stroomkabel op het laadstation.

#### **i Opmerking**

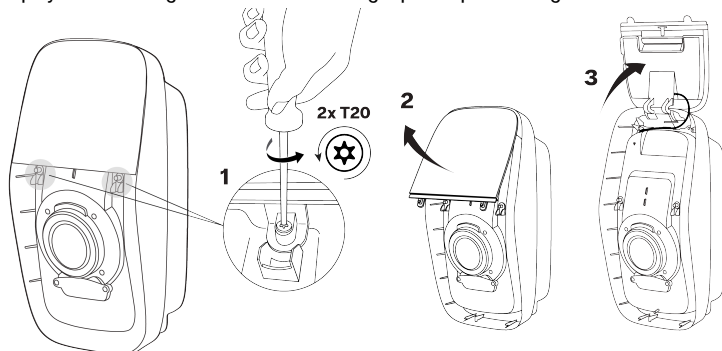
De communicatiekabel kan alleen via de onderkant van het laadstation worden ingevoerd.

#### **i Opmerking**

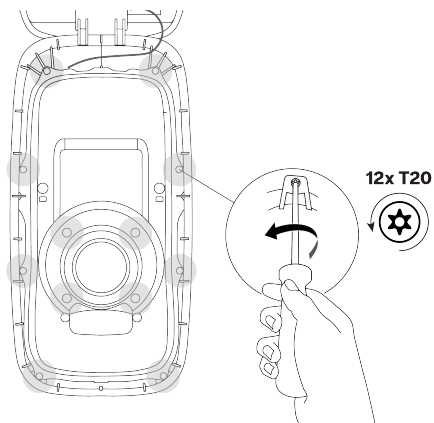
Alle Torx T20-veiligheidsschroeven zijn borgend. Verwijder de borgschroeven niet volledig uit het laadstation.

#### 1. Verwijder de binnencover als volgt:

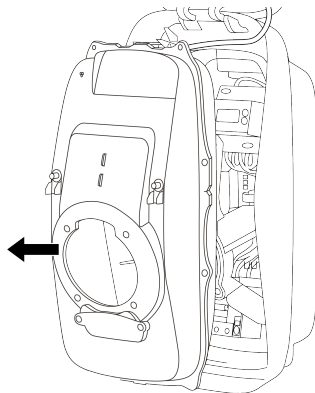
- a. Draai de twee Torx T20 geborgde veiligheidsschroeven los die de displaycover vasthouden. Open de displaycover volledig zodat deze zich in de geopende positie vergrendelt.



- b. Draai de 12 Torx T20 geborgde veiligheidsschroeven los waarmee de binnencover is bevestigd.

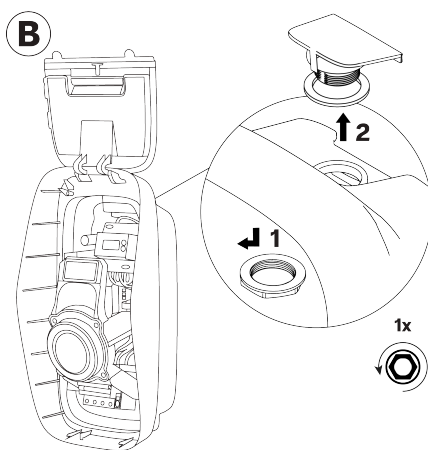


- c. Verwijder de binnencover.

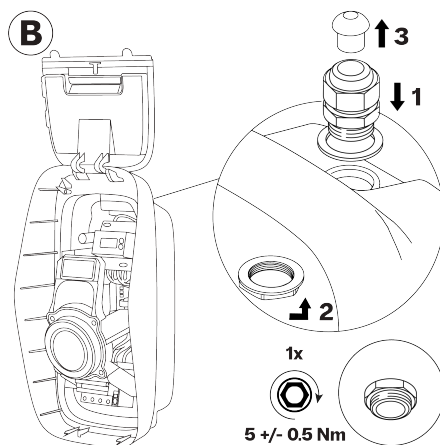


2. Voor bovenste kabelingang B: bereid de boveningang voor de stroomkabel als volgt voor:

- a. Verwijder de moer die de cover op de bovenste ingang vasthoudt. Verwijder de cover. Bewaar de moer om deze te gebruiken op de kabelwartel. Bewaar de cover in de verpakking.



- b. Installeer de kabelwartel en bevestig deze in de bovenste ingang. Installeer de moer en draai deze vast. Verwijder de afdichtplug van de kabelwartel en bewaar deze voor toekomstig gebruik.

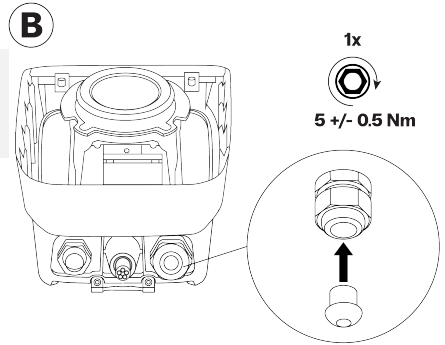


#### 4. Installatie-instructies

- c. Installeer de afdichtplug in de ongebruikte wartel aan de onderkant van het laadstation.

**⚠ LET OP!**

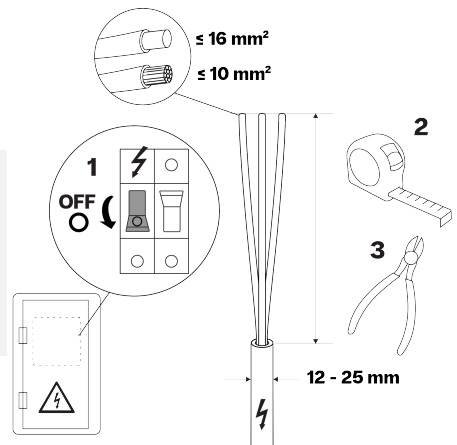
Zorg dat de afdichtplug in de kabelwartel is geïnstalleerd om de IP-code van het laadstation te behouden.



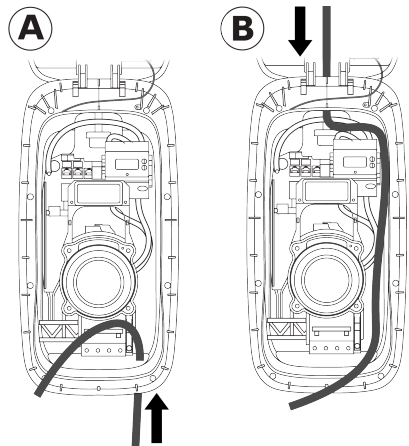
3. Knip de stroomkabel door en strip de buitenste mantel op zo'n manier dat de kabel en zijn draden lang genoeg zijn om deze te verbinden met de RCBO en de PE-klem in het klemmenblok in het laadstation. Breng, indien nodig, extra isolatie aan op de afzonderlijke draden.

**⚠ LET OP!**

Om SELV-circuits (Separated Extra Low Voltage; gescheiden extra lage spanning) te beschermen, mogen de gestripte enkelvoudig geïsoleerde draden de onderdelen op de hoofdprintplaat niet raken. Breng, indien nodig, dubbele isolatie aan op de afzonderlijke draden, bijvoorbeeld met behulp van krimpkous of isolatiehulzen.



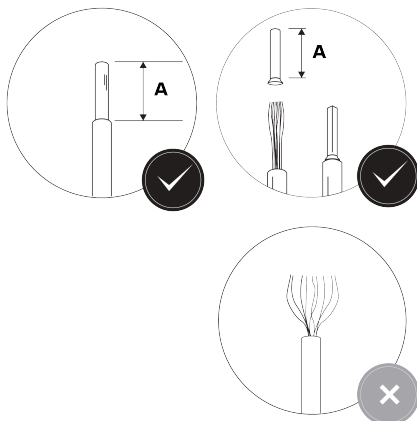
4. Leid de stroomkabel in het laadstation met behulp van de onderste kabelingang A of de bovenste kabelingang B. Routeer de stroomkabel naar de aansluitpunten. Zorg dat er voldoende lengte is om de draden te strippen en aan te sluiten.



## 5. Strip de draaduiteinden van de stroomkabel:

- Voor een RCBO, A = 12 mm
- Voor een klemmenblok, A = 18 mm

Als er gevlochten bedrading wordt gebruikt, installeer dan adereindhulzen en breng een vierkante krimp aan voor een optimale pasvorm in de RCBO en het PE-klemmenblok.



## 6. Voor een station met ingebouwde RCBO: sluit de stroomkabel als volgt aan:

**⚠ ATTENTIE**

Een onjuiste aansluiting van de stroomdraden kan leiden tot het risico op elektrische schokken, en daarmee tot schade aan het laadstation, letsel of de dood.

- Zorg dat de voedingsdraden goed zijn aangesloten.

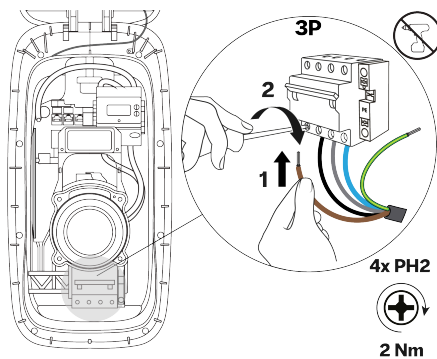
**i Opmerking**

Sluit de draden aan in overeenstemming met het bedradingschema voor de voeding in [Voedingsvereisten op pagina 291](#).

**i Opmerking**

RCBO's van Type B zijn in omgekeerde positie in de laadstations geïnstalleerd.

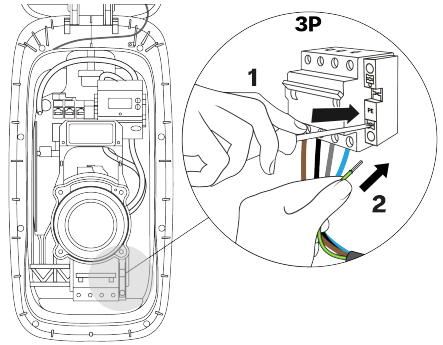
- a. Sluit de draden van de stroomkabel aan op de RCBO. Draai de schroeven vast om de draden vast te zetten.





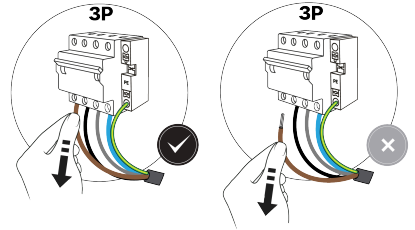
#### 4. Installatie-instructies

- b. Sluit de PE-draad van de stroomkabel aan op het PE-klemmenblok.



NL

- c. Trek aan elke draad om te controleren of deze goed is aangesloten.



7. Voor een station met klemblokken: sluit de stroomkabel als volgt aan:

#### **⚠** ATTENTIE

Een onjuiste aansluiting van de stroomdraden kan leiden tot het risico op elektrische schokken, en daarmee tot schade aan het laadstation, letsel of de dood.

- Zorg dat de voedingsdraden goed zijn aangesloten.

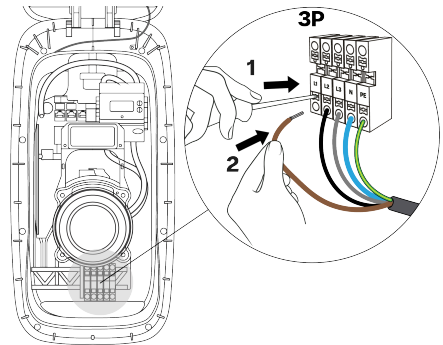
#### **i** Opmerking

Sluit de draden aan in overeenstemming met het bedradingsschema voor de voeding in [Voedingsvereisten op pagina 291](#).

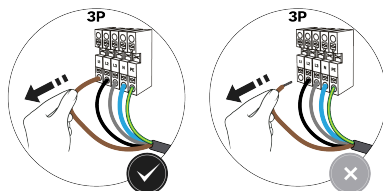
#### **i** Opmerking

Op de afbeeldingen wordt een 3-fase met neutrale aansluiting weergegeven.

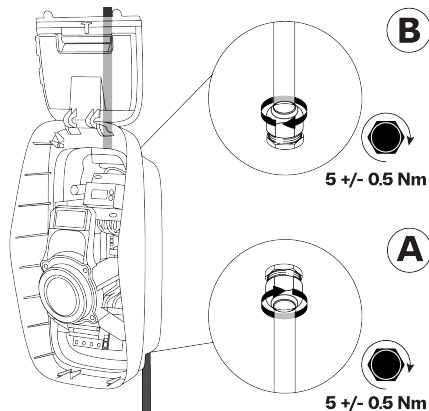
- a. Sluit de draden van de voedingskabel aan op de klemmenblokken.



- b. Trek aan elke draad om te controleren of deze goed is aangesloten.



8. Draai de kabelwartel vast om de stroomkabel vast te zetten en de IP-code van het laadstation te behouden.



## 4.5. Communicatie laadstation

De communicatiekabel kan alleen via de linker kabelwartel aan de onderkant van het laadstation worden ingevoerd. Er kunnen maximaal vier communicatiekabels via de wartel het laadstation in worden gevoerd.

Het laadstation kan op drie manieren met het internet worden verbonden:

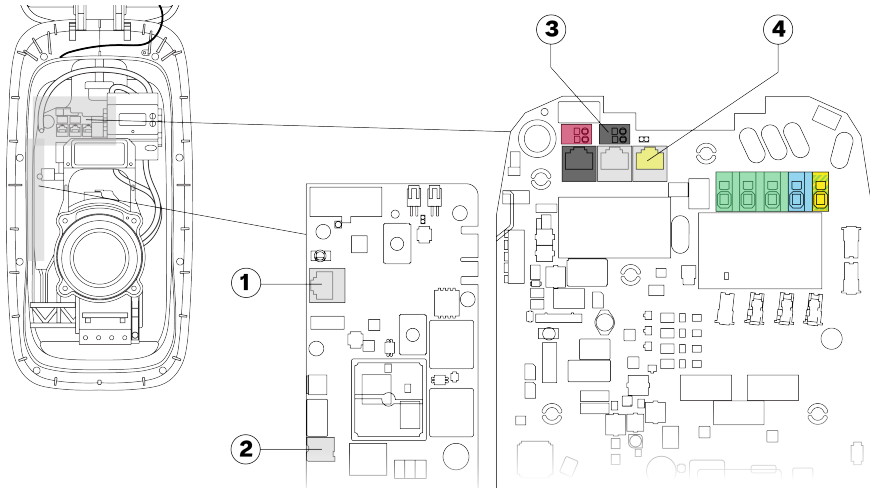
- Ethernet (aanbevolen optie)
- Wifi (zie [Configuratie op pagina 316](#))
- Mobiel (simkaart)

### Communicatie-aansluitingen en -onderdelen

#### **i** Opmerking

De gebruikte communicatie-aansluitingen en -onderdelen zijn afhankelijk van het model van het laadstation en de vereiste functionaliteit.

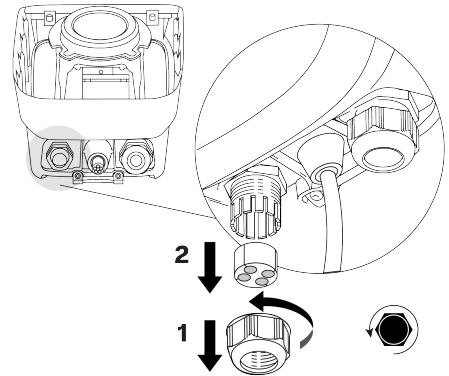
## 4. Installatie-instructies



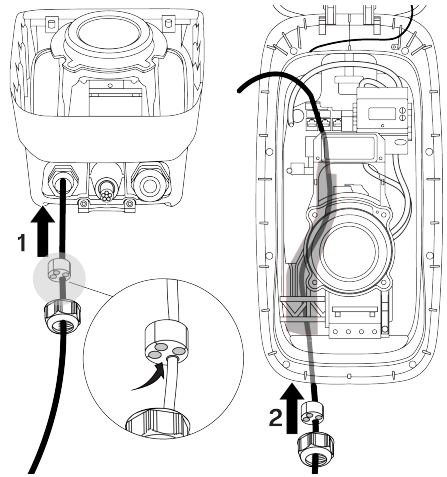
1. Ethernetconnector voor bedrade internetverbinding
2. Nano-simkaartsleuf voor cellulaire internetverbinding
3. Klemmen voor regeling van werkelijk vermogen (alleen voor Duitsland)
4. CT IN-connector voor dynamische Load Balancing

### 4.5.1. Communicatiekabels geleiden

1. Verwijder de kabelwartelmoer en de afdichting van de linker kabelwartel.



- Leid de vereiste communicatiekabels door de kabelwartelmoer en afdichting, en vervolgens door de linker kabelwartel onder aan het laadstation. Leid de kabels door het kabelkanaal naar de bovenkant van het laadstation.



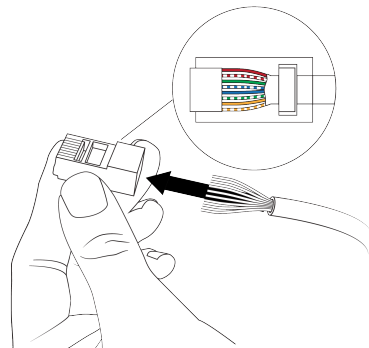
#### 4.5.2. Optioneel: ethernetkabel aansluiten voor internet

##### **i** Opmerking

Gebruik een netwerkkabel van Cat5 of hoger (Cat5, Cat5e, Cat6), met getwiste aderparen.

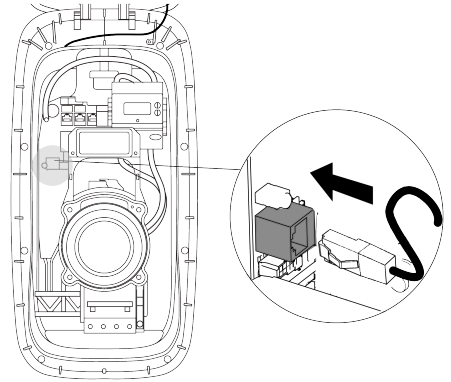
- Gebruik van een afgeschermd netwerkkabel wordt aanbevolen, maar is niet verplicht.
- Aard de afscherming niet bij gebruik van een afgeschermd kabel.
- Gebruik een uv-gestabiliseerde netwerkkabel voor buiteninstallaties.
- Netwerkkabels kunnen een vooraf geïnstalleerde RJ45-stekker hebben, of de RJ45-stekker kan worden geïnstalleerd voor of na het invoeren van de netwerkkabel in het laadstation.

- Als er geen RJ45-stekker vooraf is geïnstalleerd, plaats dan een RJ45-stekker op de netwerkkabel.



#### 4. Installatie-instructies

2. Sluit de RJ45-stekker van de netwerkkabel aan op de ethernetconnector op het communicatiebord.



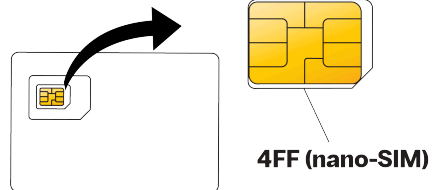
NL

#### 4.5.3. Optioneel: simkaart installeren voor internet

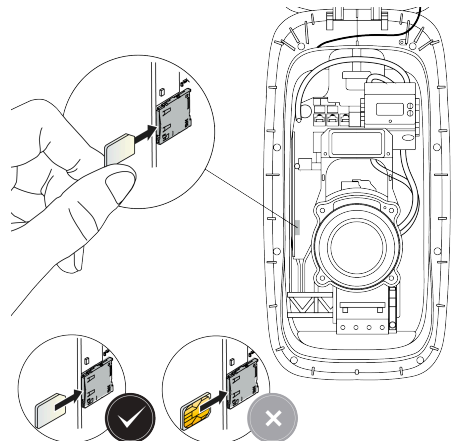
##### **Opmerking**

Alleen geselecteerde simkaarten worden ondersteund.

1. Verwijder de 4FF-simkaart (nanosim) uit de kaart.



2. Duw de 4FF-simkaart (nanosim) naar binnen en vergrendel deze in de sleuf in het communicatiebord. De contactpunten van de simkaart moeten naar het communicatiebord gericht zijn.



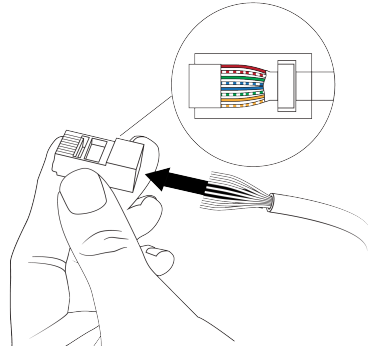
#### 4.5.4. Optioneel: kabel voor dynamische Load Balancing aansluiten

##### **i** Opmerking

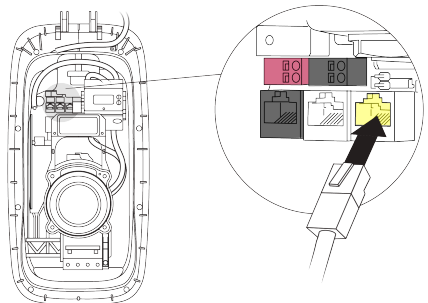
Gebruik een netwerkkabel van Cat5 of hoger (Cat5, Cat5e, Cat6), met getwiste aderparen.

- Gebruik van een afgeschermd netwerkkabel wordt aanbevolen, maar is niet verplicht.
- Aard de afscherming niet bij gebruik van een afgeschermd kabel.
- Gebruik een uv-gestabiliseerde netwerkkabel voor buiteninstallaties.
- Netwerkkabels kunnen een vooraf geïnstalleerde RJ45-stekker hebben, of de RJ45-stekker kan worden geïnstalleerd voor of na het invoeren van de netwerkkabel in het laadstation.

1. Als er geen RJ45-stekker vooraf is geïnstalleerd, plaats dan een RJ45-stekker op de netwerkkabel.



2. Sluit de RJ45-stekker van de netwerkkabel aan op de CT IN-connector.



#### 4.5.5. Alleen voor toepasselijke landen: sluit de kabel voor vermogensregeling op afstand aan

De klemmenblokken kunnen worden gebruikt met een draadmaat in het volgende bereik:

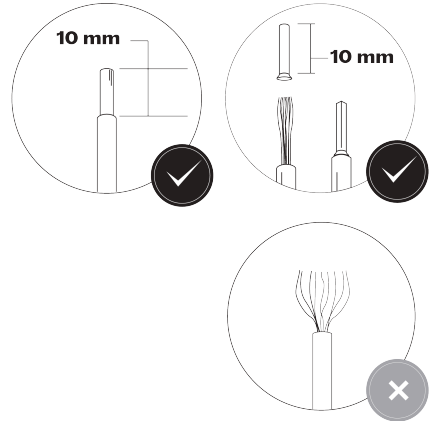
- Massieve draad: maximaal 1,5 mm<sup>2</sup>.
- Gevlochten draad met adereindhuls (zonder plastic huls): maximaal 1,5 mm<sup>2</sup>.

Gebruik een dubbel geïsoleerde kabel die bestand is tegen temperaturen tot 90 °C.

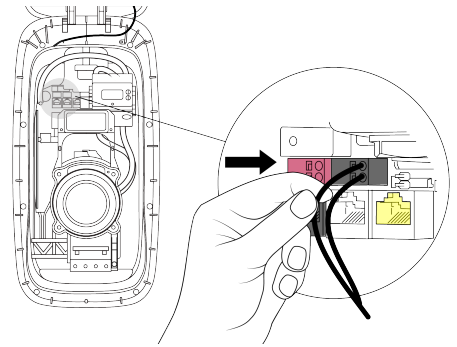
#### 4. Installatie-instructies

1. Strip de draaduiteinden van de kabel voor de actieve vermogensregeling.

Als er gevlochten bedrading wordt gebruikt, installeer dan adereindhulzen (zonder plastic hulzen) en breng een vierkante krimp aan voor een optimale pasvorm in de klemmenblokken.



2. Sluit de draden van de actieve vermogensregeling aan op het zwarte klemmenblok (digitale ingang 1).



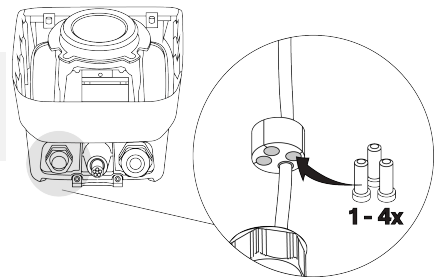
3. Sluit het andere uiteinde van de stuurkabel voor het actief vermogen aan op een DSO-regelapparaat met normaal open (NO-)contacten.

#### 4.5.6. De kabelwartel vastdraaien

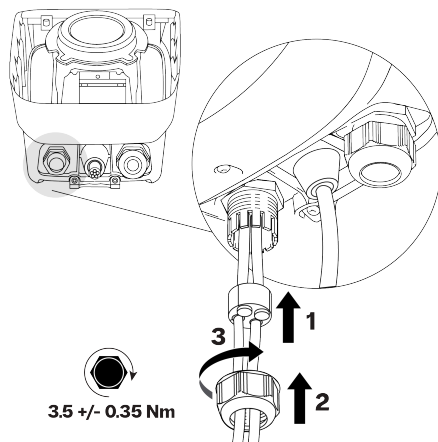
1. Plaats afdichtpluggen in de ongebruikte ingangen in de kabelwartelafsluiting.

**⚠ LET OP!**

Controleer of de afdichtpluggen op hun plaats zitten in de ongebruikte ingangspunten in de kabelwartel om de IP-code van het laadstation te behouden.



2. Beweeg de kabelwartelsluiting omhoog in de kabelwartel en draai dan de kabelwartel vast om de netwerkkabels en de afdichtpluggen vast te zetten.

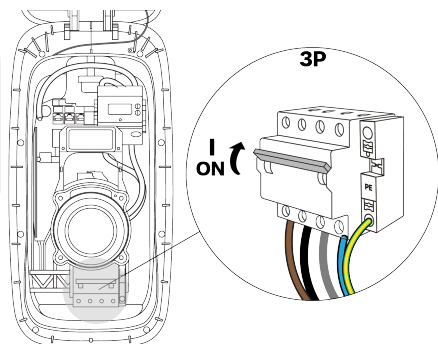


#### 4.6. Installeer de covers op het laadstation

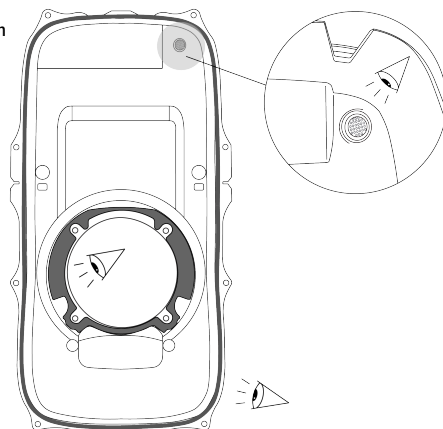
1. Voor een station met een ingebouwde RCBO: zorg dat de RCBO is ingeschakeld in het laadstation.

**i** **Opmerking**

RCBO's van Type B zijn in omgekeerde positie in de laadstations geïnstalleerd. Als het laadstation een RCBO van Type B heeft, dan zijn de richtingen voor aan en uit omgekeerd.



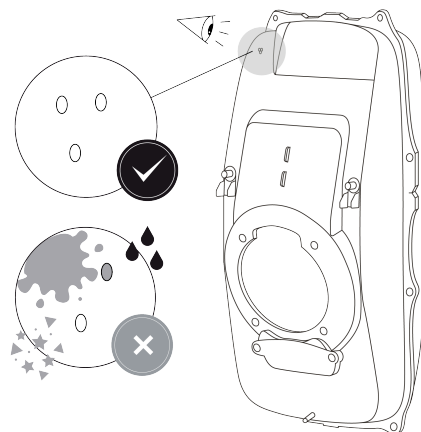
2. Controleer voor de installatie de binnencover als volgt:
  - a. Controleer aan de binnenkant of de afdichting van de binnencover en de centrale afdichting schoon en onbeschadigd zijn. Controleer of het ontluiftingsmembraan vast zit en onbeschadigd is.





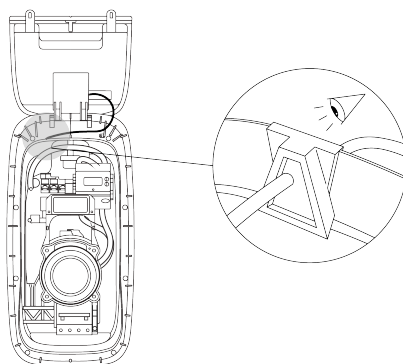
#### 4. Installatie-instructies

- b. Controleer aan de buitenkant of de drie ontluchttingsgaten niet worden geblokkeerd door water, stof of vuil.

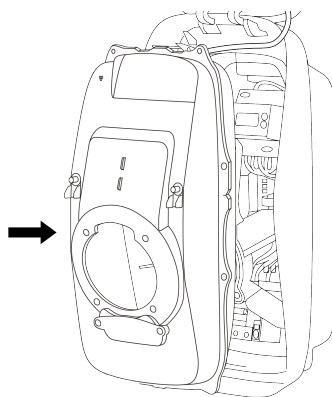


NL

- 3. Controleer op het laadstation of de doorvoerafdichting voor de displaykabel op de juiste manier is geïnstalleerd.



- 4. Installeer de binnencover als volgt:
  - a. Plaats de onderkant van de cover onder het middelste gat en duw dan de bovenkant van de cover op zijn plaats.



- b. Draai 12 Torx T20 geborgde veiligheidsschroeven vast in de aangegeven volgorde om de binnencover vast te zetten.

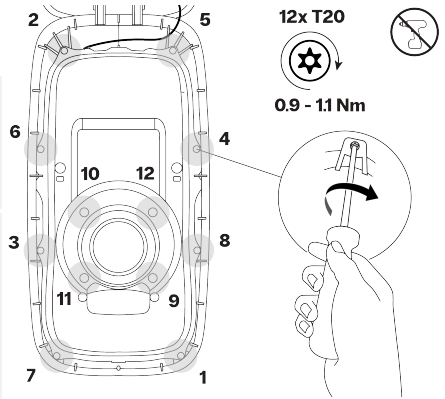
**⚠ LET OP!**

Risico op binnendringend water. Regen en vocht kunnen het laadstation binnendringen als de schroeven niet in de juiste volgorde zijn vastgedraaid.

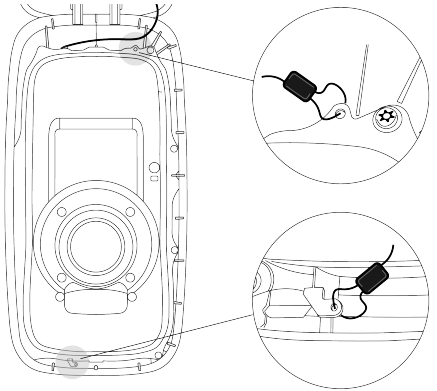
**⚠ LET OP!**

Het gebruik van een elektrische schroevendraaier met een hoog draaimoment kan de schroeven en de onderdelen beschadigen.

- Gebruik alleen een schroevendraaier met laag draaimoment met de juiste instelling van het draaimoment.



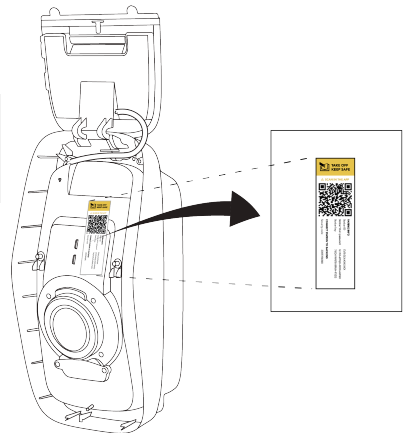
- c. Optioneel: installeer twee verzegelde afdichtingen op de rechterbovenhoek en linkeronderhoek van de binnencover.



5. Verwijder de sticker met de laadstation-specifieke informatie van de binnencover. Bewaar de sticker bij de documentatie van het laadstation. De informatie op de sticker is noodzakelijk tijdens het configureren.

**⚠ LET OP!**

Om ongeoorloofde toegang tot de instellingen van het laadstation te voorkomen, moet de sticker van het laadstation af worden gehaald.



6. Installeer de displaycover en de frontcover als volgt:

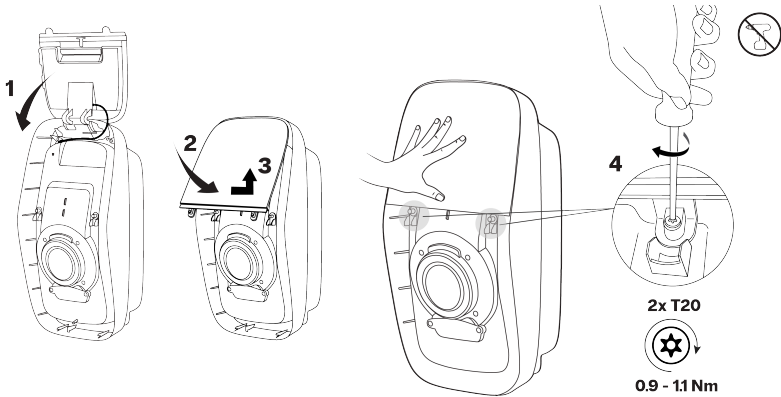
#### 4. Installatie-instructies

- a. Sluit de displaycover en houd deze gesloten. Zet de displaycover vast met twee Torx T20 geborgde veiligheidsschroeven.

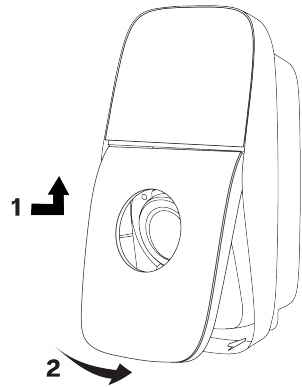
**⚠ LET OP!**

Het gebruik van een elektrische schroevendraaier met een hoog draaimoment kan de schroeven en de onderdelen beschadigen.

- Gebruik alleen een schroevendraaier met laag draaimoment met de juiste instelling van het draaimoment.



- b. Plaats de bovenste rand van de frontcover onder de onderste rand van de displaycover en draai de cover vervolgens omlaag om deze in lijn te brengen met het onderste schroefgat.

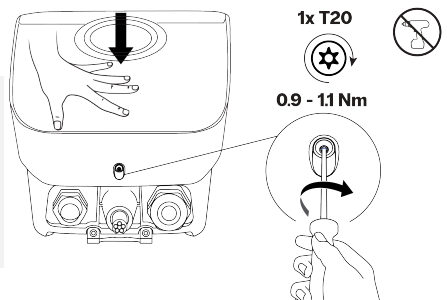


- c. Duw de frontcover tegen de veer. Draai de Torx T20 geborgde veiligheidsschroef vast om de frontcover vast te zetten op het laadstation.

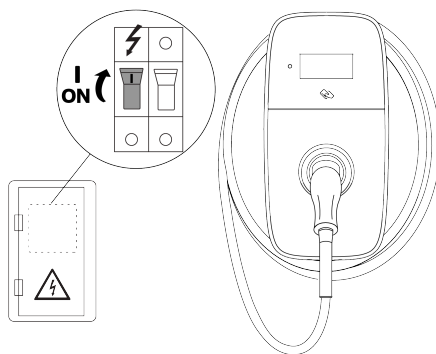
**⚠ LET OP!**

Het gebruik van een elektrische schroevendraaier met een hoog draaimoment kan de schroeven en de onderdelen beschadigen.

- Gebruik alleen een schroevendraaier met laag draaimoment met de juiste instelling van het draaimoment.



7. Wikkel de laadkabel losjes rond het laadstation voor het opbergen en plaats de laadstekker in de stekkerhouder.  
Schakel de stroom naar het laadstation in. De led-ring draait in het wit om aan te geven dat het laadstation wordt opgestart.



Het laadstation is nu volledig geïnstalleerd. De led-ring is wit en knippert twee keer aan en uit om aan te geven dat de configuratie kan worden gestart.

## 4.7. Configuratie

Het laadstation moet met het internet verbonden zijn om te functioneren. Eenmaal verbonden, raden we aan het laadstation op een Laadbeheerplatform (CMP) te activeren om volledig te profiteren van alle functies van en online support voor het laadstation.

De configuratie moet worden voltooid voordat het laadstation kan worden gebruikt.

### 4.7.1. Het laadstation configureren

#### ATTENTIE

Risico op elektrische schokken, wat kan leiden tot ernstig of dodelijk letsel. Alleen een gekwalificeerde elektricien heeft toestemming om de EVBox Install-app te gebruiken om het laadstation te configureren.

1. Download en installeer EVBox Install App op uw smartphone of tablet.



2. Open EVBox Install App en volg de instructies in de app.  
De laadstation-specifieke informatie die vereist is voor configuratie van het station staat op de sticker die tijdens de installatie wordt verwijderd.



## 5. Gebruikersinstructies

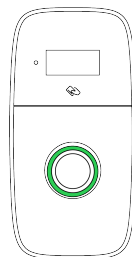
3. Stel de volgende belangrijke instellingen in met behulp van EVBox Install App om een veilige werking van het laadstation te garanderen:
  - Maximale laadstroom.
  - Internetconnectiviteit.
  - Overige configuratie-instellingen.

### 4.7.2. Optioneel: activeer het laadstation via het CMP

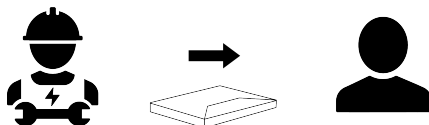
Voor een online laadstation moet de gebruiker het laadstation activeren met het Laadbeheerplatform (Charging Management Platform - CMP) op de CMP-website of met de CMP-specifieke app. Neem contact op met de Charging Point Operator (CPO) voor details over de activeringsprocedure van het laadstation.

### 4.7.3. Klaar voor gebruik

Het laadstation is klaar om een EV op te laden als de covers op het laadstation zijn geïnstalleerd, de inbedrijfstelling is voltooid en de led-ring in het groen brandt



Overhandig alle documentatie aan de eigenaar. De eigenaar moet alle documentatie bewaren die met het laadstation is meegeleverd op een veilige plaats gedurende de gehele levenscyclus van het product.



## 5. Gebruikersinstructies

### GEVAAR!

Het niet volgen van de gebruikersinstructies in deze handleiding resulteert in het risico op een elektrische schok, wat ernstig of dodelijk letsel veroorzaakt.

- Lees de veiligheidsvoorschriften en de gebruikersinstructies in deze handleiding voorafgaand aan het gebruik van het laadstation.
- Als u onzeker bent over het gebruik van het laadstation, kunt u contact opnemen met uw verkoper voor meer informatie.

## 5.1. Een laadsessie starten en stoppen

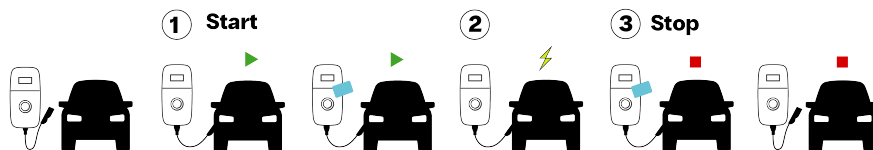
### Opmerking

Instructies voor de laadsessie worden ook weergegeven op het display.

1. Start met opladen:
  - Haal de stekker uit het laadstation en wikkel de laadkabel volledig los van rond het laadstation.
  - Sluit de laadkabel aan op uw voertuig.
  - Als u een laadpas of handzender gebruikt, houdt u deze voor de lezer op het laadstation om het laden te starten.\*
2. Uw voertuig is aan het opladen.

## 3. Laden stoppen:

- Als u een laadpas of handzender gebruikt\*\*, houdt u deze voor de lezer op het laadstation om het laden te stoppen.\*
- Koppel de laadkabel los van uw voertuig.
- Wikkel de laadkabel rond het laadstation en plaats de stekker in het station.



\* Alleen als het laadstation is ingesteld om alleen laadpassen of handzenders te accepteren.

\*\* U moet dezelfde laadpas of handzender gebruiken die u hebt gebruikt om de laadsessie te starten.

## 5.2. Statusindicatie




**Opmerking**

De status van het laadstation wordt ook weergegeven op het display.

**Opmerking**

Sommige functies en statusindicaties zijn niet beschikbaar op alle modellen.

Led-ring	Kleur	Beschrijving van status
	Wit (draaiend)	Laadstation start op, of software wordt bijgewerkt.
	Wit (knipperend)	Laadstation wacht op configuratie via EVBox Install App.
	Groen (constant)	Inactief. Laadstation is klaar om op te laden.
	Rood (constant)	Authenticatie niet geaccepteerd. Indicatie wijzigt na 5 seconden naar Groen.
	Blauw (constant)	<ul style="list-style-type: none"> <li>• Laadstation wacht op voertuig.</li> <li>• Laden is gepauzeerd.</li> </ul>
	Blauw (loopt vanaf de onderkant omhoog)	Het voertuig laadt op.

Led-ring	Kleur	Beschrijving van status
	Groen (knipperend)	De laadsessie is voltooid. Het voertuig kan worden losgekoppeld van het laadstation.
	Oranje (constant)	Laden gaat langzaam of is gepauzeerd vanwege een hoge temperatuur. Laden wordt automatisch hervat.
	Oranje (knipperend)	Laadsessie is mislukt. Koppel het voertuig los en probeer het opnieuw.

### 5.3. Onderhoud door gebruiker

De gebruiker van het laadstation is verantwoordelijk voor de toestand van het laadstation, waarbij zowel de wet inzake de veiligheid van personen, dieren en goederen in acht moet worden genomen, als de installatievoorschriften die gelden in het land van gebruik. Laat het laadstation en de installatie ervan regelmatig controleren door een gekwalificeerde elektricien, in overeenstemming met de installatievoorschriften die in uw land gelden.

#### GEVAAR!

Overmatige blootstelling van het laadstation aan water kan resulteren in een elektrische schok, wat kan leiden tot ernstig of dodelijk letsel.

- Richt geen krachtige waterstralen naar of op het laadstation.
- Steek de laadstekker niet in vloeistof.

#### LET OP!

Gebruik geen agressieve chemische reinigingsmiddelen of oplosmiddelen om het laadstation te reinigen.

1. Verwijder vuil en natuurlijk organisch materiaal van de buitenkant van het laadstation met een vochtige zachte doek. Zorg dat het display, de led-ring en de lichtsensoren schoon zijn.
2. Voer een visuele inspectie van het laadstation, de laadkabel en de laadstekker uit. Als u vermoedt dat het laadstation, de kabel of de stekker beschadigd of vervuild is, neem dan contact op met een gekwalificeerde elektricien om de beschadigde onderdelen te repareren of te vervangen.
3. Trek voorzichtig aan het laadstation om te controleren of het nog steeds stevig is geïnstalleerd. Zorg dat de buitencover van het station vastzit. Als het laadstation of de cover loszit, neem dan contact op met een gekwalificeerde elektricien om het station correct opnieuw te installeren.

### 5.4. Inloggen op het laadstation

Met behulp van een smartphone, tablet of laptop met wifi kan de gebruiker inloggen op het laadstation om de instellingen, zoals die van wifi, te wijzigen en de softwarelicenties te bekijken. Ga voor instructies naar [help.evbox.com](http://help.evbox.com).

## 6. Problemen oplossen

### GEVAAR!

Onderhoud en reparatie van dit laadstation door een niet-gekwalificeerd persoon zal risico op elektrische schokken met zich meebrengen, wat ernstig letsel of de dood tot gevolg heeft.

- Alleen een gekwalificeerde elektricien mag het laadstation onderhouden of repareren.
- De gebruiker mag geen poging doen om onderhoud uit te voeren op dit laadstation of dit te repareren, aangezien het geen door de gebruiker te onderhouden onderdelen bevat.

### 6.1. Foutindicatie

Led-ring	Kleur	Beschrijving van status	Actie
	Rood (constant)	Er is een fout opgetreden.	Volg de instructies die op het display worden weergegeven.
	Uit	De stroomtoevoer is onderbroken.	Controleer de stroomtoevoer naar het station. Reset de MCB of RCD in de schakelkast. Voor een station met een ingebouwde RCBO, controleer of de RCBO open is (zie <a href="#">Toegang tot de RCBO op pagina 320</a> ).

### Opmerking

Sommige foutstatussen kunnen worden opgelost door de stroom uit en weer in te schakelen.

- Voor stations zonder ingebouwde RCBO, schakel de stroom op de schakelkast uit en weer in.
- Voor stations met een ingebouwde RCBO, schakel de stroom met behulp van de RCBO uit en weer in (zie [Toegang tot de RCBO op pagina 320](#)).

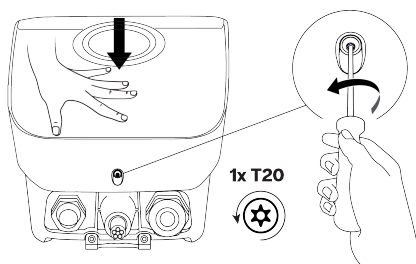
### 6.2. Toegang tot de RCBO

Deze procedure geldt alleen voor laadstations met een ingebouwde RCBO. De RCBO is toegankelijk via een toegangscover die zich op de binnencover bevindt. Voordat u deze procedure start, moet u controleren of er stroom wordt geleverd aan het laadstation.

### Opmerking

Alle Torx T20-veiligheidsschroeven zijn borgend. Verwijder de borgschroeven niet volledig uit het laadstation.

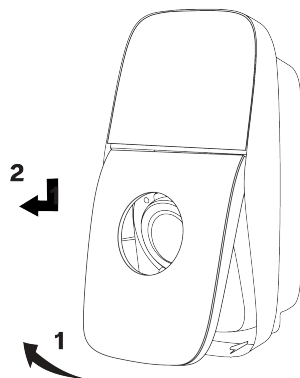
1. Als er een EV is aangesloten op het laadstation, koppel het EV los.
2. Duw de frontcover tegen de veer en draai één Torx T20 geborgde veiligheidsschroef los die de frontcover bevestigt aan het laadstation.



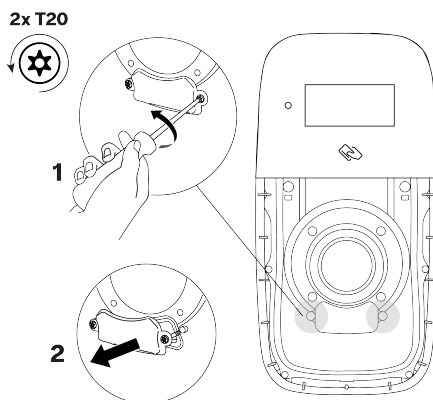


## 6. Problemen oplossen

3. Draai de frontcover omhoog en maak vervolgens de bovenste rand van de frontcover los van onder de onderste rand van de displaycover.



4. Draai twee Torx T20 geborgde veiligheidsschroeven los. Verwijder de RCBO-cover van de binnencover.

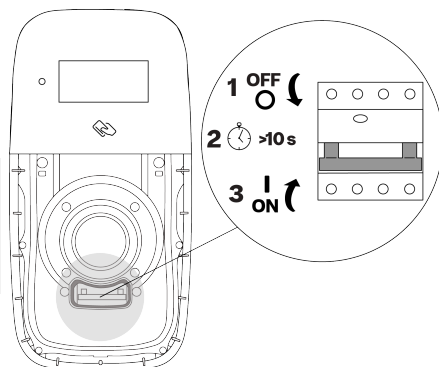


5. Om het laadstation uit en dan weer in te schakelen, schakel de RCBO uit, wacht 10 seconden, en schakel dan de RCBO weer in.

De led-ring draait in het wit om aan te geven dat het laadstation wordt opgestart. Het laadstation is klaar om een EV op te laden als de led-ring solide groen is.

### **Opmerking**

RCBO's van Type B zijn in omgekeerde positie in de laadstations geïnstalleerd. Als het laadstation een RCBO van Type B heeft, dan zijn de richtingen voor aan en uit omgekeerd.

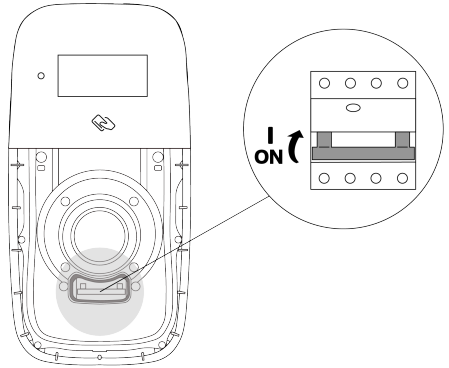


6. Beweeg de RCBO-schakelaar naar beneden voor een open RCBO.

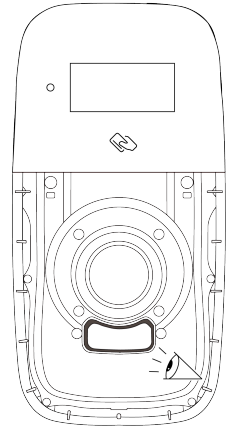
De led-ring draait in het wit om aan te geven dat het laadstation wordt opgestart. Het laadstation is klaar om een EV op te laden als de led-ring constant groen is.

**i Opmerking**

RCBO's van Type B zijn in omgekeerde positie in de laadstations geïnstalleerd. Als het laadstation een RCBO van Type B heeft, dan zijn de richtingen voor aan en uit omgekeerd.



7. Controleer of de afdichting op de binnencover schoon en onbeschadigd is.

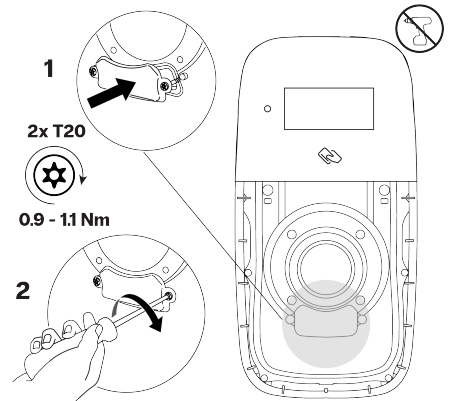


8. Installeer de RCBO-cover op de binnencover. Draai twee Torx T20 geborgde veiligheidsschroeven vast.

**⚠ LET OP!**

Het gebruik van een elektrische schroevendraaier met een hoog draaimoment kan de schroeven en de onderdelen beschadigen.

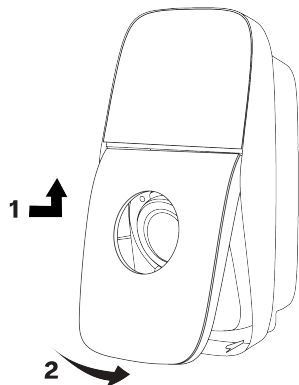
- Gebruik alleen een schroevendraaier met laag draaimoment met de juiste instelling van het draaimoment.



9. Installeer de frontcover als volgt:

## 7. Ontmanteling

- a. Plaats de bovenste rand van de frontcover onder de onderste rand van de displaycover en draai de cover vervolgens omlaag om deze in lijn te brengen met het onderste schroefgat.

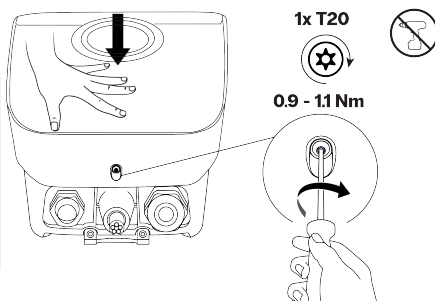


- b. Duw de frontcover tegen de veer. Draai de Torx T20 geborgde veiligheidsschroef vast om de frontcover vast te zetten op het laadstation.

### ⚠ LET OP!



Het gebruik van een elektrische schroevendraaier met een hoog draaimoment kan de schroeven en de onderdelen beschadigen.

- Gebruik alleen een schroevendraaier met laag draaimoment met de juiste instelling van het draaimoment.



## 7. Ontmanteling

Ontmantel en recycle het laadstation in overeenstemming met de toepasselijke lokale voorschriften voor afvalverwerking.

	Voer dit laadstation niet af met het huishoudelijk afval. Lever dit laadstation in plaats daarvan in bij een plaatselijk inzamelpunt voor elektrische/elektronische apparaten om recycling mogelijk te maken en zo negatieve en gevaarlijke gevolgen voor het milieu te voorkomen. Raadpleeg uw gemeente of de lokale autoriteiten voor relevante adressen.
	Het recyclen van materialen bespaart grondstoffen en energie en levert een belangrijke bijdrage aan het behoud van het milieu.



FR

Cet appareil et ses accessoires se recyclent

À DÉPOSER EN MAGASIN



À DÉPOSER EN DÉCHÈTERIE



OU

Points de collecte sur [www.quefairedemesdechets.fr](http://www.quefairedemesdechets.fr)  
Privilégiez la réparation ou le don de votre appareil !

## 8. Bijlage

### 8.1. Woordenlijst

Afkorting	Betekenis
1P	1-fase voeding (invoer en uitvoer). De rating van het station is weergegeven aan de onderzijde van het station.
3P	3-fase voeding (invoer en uitvoer). De rating van het station is weergegeven aan de onderzijde van het station.

Afkorting	Betekenis
AC	Alternating Current (wisselstroom).
CMP	Laadbeheerplatform. Het backend platform dat een laadstation koppelt aan de CPO.
CPO	Charging Point Operator. De eigenaar en/of exploitant van de laadpaalinstallatie.
DSO	Distribution System Operator (Distributiesysteembeheerder). De beheerder die verantwoordelijk is voor het elektriciteitsnet.
ESD	Elektrostatische ontlading.
EV	Elektrisch voertuig.
IK	Impactbescherming.
IP	Ingangsbescherming.
RF	Radiofrequentie communicatie.
LAN	Local Area Network.
LED	Licht-emitterende diode.
MCB	Miniatuurstroomonderbreker.
OCPP	Protocol open laadpunten.
PE	Beschermende aarde.
RCBO	Aardlekschakelaar met overstroom.
RCD	Aardlekschakelaar.

## 8.2. EU-conformiteitsverklaring

EVBox B.V. verklaart dat het radioapparaattype EVBox Liviqo in overeenstemming is met Richtlijn 2014/53/EU. De volledig tekst van de EU-conformiteitsverklaring is beschikbaar op [help.evbox.com](http://help.evbox.com).

### Informatie over regelgeving

Technologie	Frequentiebanden	Max. uitgangsvermogen
GSM 900	890 MHz - 915 MHz	27,77 dBm
GSM 1800	1710 MHz - 1785 MHz	24,77 dBm
LTE-band 3	1710 MHz - 1785 MHz	28,48 dBm
LTE-band 8	880 MHz - 915 MHz	28,48 dBm
LTE-band 20	832 MHz - 862 MHz	28,48 dBm
LTE-band 28	703 MHz - 748 MHz	28,48 dBm
WLAN (802.11b/g/n)	2412 MHz - 2484 MHz	16,79 dBm
WLAN (802.11a/n/ac)	5150 MHz - 5250 MHz	16,63 dBm
WLAN (802.11a/n/ac)	5725 MHz - 5850 MHz	11,46 dBm
RFID	13,56 MHz	19,00 dBm

# EVBox Liviqo

## Cable

NO

# Innhold

1. Introduksjon	329
1.1. Håndbokens omfang	329
1.2. Symboler som brukes i denne håndboken	329
1.3. Ikoner som brukes i denne håndboken	329
1.4. Sertifisering og samsvar	330
2. Sikkerhet	330
2.1. Sikkerhetstiltak	330
2.2. Forholdsregler ved flytting og lagring	332
3. Produktfunksjoner	333
3.1. Beskrivelse	333
3.2. Tekniske spesifikasjoner	333
3.3. Leverte komponenter	335
4. Installasjonsinstruksjoner	335
4.1. Forbered installasjon	335
4.1.1. Planlegg installasjon	335
4.1.2. Nødvendige verktøy	337
4.1.3. Strømforsyningskrav	337
4.1.4. Valgfritt: Dynamisk lastbalansering	340
4.1.5. Valgfritt: klyngelastbalansering	340
4.1.6. Bare for aktuelle land: Fjernstrømstyring av DSO	342
4.2. Utpakking	342
4.3. Installer veggbraketten og ladestasjonen	344
4.4. Koble til strømkablelen	346
4.5. Ladestasjonskommunikasjon	352
4.5.1. Ruting av kommunikasjonskabler	353
4.5.2. Valgfritt: koble til Ethernet-kabel for internett	354
4.5.3. Valgfritt: installer SIM-kort for internett	355
4.5.4. Valgfritt: koble til kabel for dynamisk lastbalansering	356
4.5.5. Bare for aktuelle land: Fjernstrømstyring av kabel	356
4.5.6. Stram kabelgjennomføringen	357
4.6. Monter det nye ladestasjonsdekslene	358
4.7. Konfigurasjon	362
4.7.1. Konfigurer ladestasjonen	362
4.7.2. Valgfritt: Aktiver ladestasjonen med CMP	363
4.7.3. Klar til bruk	363
5. Brukerinstruksjoner	363
5.1. Starte og stoppe en ladeøkt	363
5.2. Statusindikering	364
5.3. Vedlikehold av bruker	365
5.4. Logg på ladestasjonen	365
6. Feilsøking	365
6.1. Feilindikasjon	365
6.2. Få tilgang til RCBO	366
7. Driftsnedleggelse	369
8. Vedlegg	369
8.1. Ordliste	369

NO



# 1. Introduksjon

Denne installasjons- og brukerhåndboken beskriver hvordan du installerer ladestasjonen og gjør den klar til bruk. Du må lese sikkerhetsinformasjonen nøye før du begynner.

## 1.1. Håndbokens omfang

Installasjons- og konfigurasjonsinstruksjonene i denne håndboken er ment for kvalifiserte installatører som kan vurdere arbeidet og identifisere potensiell fare.

Brukerinstruksjonene er tiltenkt brukere av ladestasjonen.

Oppbevar alle de leverte dokumentene levert med ladestasjonen på et trygt sted gjennom hele levetiden til produktet. All dokumentasjon skal videresendes til eventuelle påfølgende eiere eller brukere av produktet.

Alle EVBox-veiledninger kan lastes ned fra [evbox.com/manuals](http://evbox.com/manuals).

### Ansvarsfraskrivelse

Dette dokumentet lages utelukkende for informasjonsformål, og utgjør ikke et bindende tilbud eller en kontrakt med EVBox. EVBox har utarbeidet dette dokumentet etter beste evne. Ingen eksplisitt eller underforstått garanti er gitt for fullstendigheten, nøyaktigheten, påliteligheten eller egnetheten for spesifikk bruk av innholdet og produktene og tjenestene som presenteres der. Spesifikasjoner og ytelsesdata inneholder gjennomsnittsverdier innenfor eksisterende spesifikasjonstoleranser og kan endres uten forvarsel. EVBox avviser eksplisitt ethvert ansvar for direkte eller indirekte skader, i videste forstand, som skyldes eller er relatert til bruken eller tolkningen av dette dokumentet.

© EVBox. Med enerett. EVBox-navnet og EVBox-logoen er varemerker tilhørende EVBox B.V eller et av de tilknyttede selskapene. Ingen del av dette dokumentet kan modifiseres, reproduseres, behandles eller distribueres i noen form eller på noen måte, uten forutgående skriftlig tillatelse fra EVBox.

EVBox Manufacturing B.V.

Kabelweg 47

1014 BA Amsterdam

Nederland

[help.evbox.com](http://help.evbox.com)

## 1.2. Symboler som brukes i denne håndboken

### Symboler som brukes i denne håndboken

#### FARE!

Indikerer en overhengende farlig situasjon med høyt risikonivå, som vil forårsake død eller alvorlig personskade hvis faren ikke unngås.

#### ADVARSEL

Indikerer en potensielt farlig situasjon med moderat risikonivå, som kan forårsake død eller alvorlig personskade hvis advarselen ikke etterfølges.

#### ADVARSEL

Indikerer en potensielt farlig situasjon med medium risikonivå, som vil kunne forårsake mindre eller moderat personskade eller skade på utstyret hvis forsiktighetsadvarselen ikke etterfølges.

#### Merk

Merknader inneholder nyttige forslag eller referanser til informasjon som ikke finnes i denne håndboken.

1., a. eller i. Handling som skal følges i den angitte rekkefølgen.

## 1.3. Ikoner som brukes i denne håndboken



Velg én funksjon



Installasjonsprogram



Bruker



Visuell kontroll



Bare for bruk på et tørt sted



Ikke bruk en elektrisk skrutevrekker



Vekselstrømforsyning

## 1.4. Sertifisering og samsvar

	Ladestasjonen er CE-sertifisert av produsenten og har CE-merket. Relevant samsvarserklæring kan innhentes fra produsenten.
	Elektriske og elektroniske apparater, inkludert tilbehør, må kastes separat fra det generelle avfallet.
	Resirkulering av materialer sparer forbruk av råmaterialer og energi, og bidrar til å verne miljøet.



FR

Cet appareil et ses accessoires se recyclent



À DÉPOSER EN MAGASIN



À DÉPOSER EN DÉCHÈTERIE

OU

Points de collecte sur [www.quefairede mesdechets.fr](http://www.quefairede mesdechets.fr)  
Privilégiez la réparation ou le don de votre appareil !

### Merk

Se [EU samsvarserklæring på side 370](#) for dette produktets samsvarserklæring.

## 2. Sikkerhet

### 2.1. Sikkerhetstiltak

#### FARE!

Hvis du ikke følger installasjons- og brukerinstruksjonene i denne håndboken, vil det føre til fare for elektrisk støt, noe som vil føre til alvorlig personskade eller død.

- Les denne håndboken før du installerer eller bruker ladestasjonen.

#### FARE!

Installasjon, vedlikehold, reparasjon og flytting av ladestasjonen av en ikke-kvalifisert person vil føre til fare for elektrisk støt, noe som vil føre til alvorlig personskade eller død.

- Bare en kvalifisert elektriker har lov til å installere, vedlikeholde, reparere og flytte ladestasjonen.
- Brukeren må ikke forsøke å vedlikeholde eller reparere ladestasjonen da den ikke inneholder deler som kan vedlikeholdes av bruker.
- Lokale forskrifter kan gjelde og kan variere avhengig av regionen eller landet for bruk. Den kvalifiserte elektrikerens må alltid sørge for at ladestasjonen er installert i henhold til lokale forskrifter.

#### FARE!

Arbeid på elektriske installasjoner uten riktige forholdsregler vil føre til fare for elektrisk støt, noe som vil føre til alvorlig personskade eller død.

- Slå av inngangsstrømmen før du installerer ladestasjonen.
- Ikke slå på ladestasjonen hvis den ikke er helt montert eller ikke sikker.
- Ikke installer en ladestasjon som har en feil eller et merkbart problem.

#### FARE!

Hvis ladestasjonen utsettes for mye vann, vil det føre til fare for elektrisk støt, noe som vil føre til alvorlig personskade eller død.

- Ikke rett kraftige vannstråler mot eller på ladestasjonen.
- Ikke legg ladestøpselet i væske.

### FARE!

Bruk av en skadet eller slitt ladestasjon vil føre til fare for elektrisk støt, noe som vil føre til alvorlig personskade eller død.

- Ikke bruk ladestasjonen hvis strømforsyningen, kabinettet eller en EV-kontakt er ødelagt, sprukket, åpen eller viser andre tegn på skade.
- Ikke bruk ladestasjonen hvis en ladekabel er frynsete, har ødelagt isolasjon eller viser andre tegn på skade.
- I tilfelle fare og/eller ulykke, må strømforsyningen til ladestasjonen kobles fra øyeblikkelig.
- Kontakt montøren din hvis du mistenker at ladestasjonen er skadet.

### ADVARSEL

Installering av ladestasjonen under våte miljøforhold (for eksempel regn eller tåke) kan føre til fare for elektrisk støt og skade på produktet, noe som kan forårsake alvorlige personskader eller død.

- Ikke installer eller åpne ladestasjonen under våte miljøforhold (for eksempel regn eller tåke).

### ADVARSEL

Feil bruk av ladestasjonen vil føre til fare for elektrisk støt, som kan føre til personskade eller død.

- Sørg alltid for at kontaktområdet til ladestøpelet er fri for smuss og fuktighet før start av en økt med lading.
- Kontroller at ladekabelen er plassert slik at den ikke trækkes på, snubles over, kjøres over eller på annen måte utsettes for overdreven kraft eller skade. Når det er aktuelt må du sørge for at ladekabelen er riktig lagret når den ikke er i bruk, og pass på at ladestøpelet ikke berører bakken.
- Trekk bare i ladestøpelets håndtak og aldri i selve ladekabelen.
- Hold ladestasjonen, ladekabelen og ladestøpelet unna varmekilder, smuss og vann.
- Ikke bruk eksplosive eller lett brennbare stoffer i nærheten av ladestasjonen.

### ADVARSEL

Bruk av adaptere, konverteringsadaptere eller ledningsforlengelser med ladestasjonen kan resultere i teknisk inkompatibilitet og kan føre til skade på ladestasjonen, noe som kan føre til personskade eller død.

- Bruk denne ladestasjonen bare til lading av kompatible elektriske kjøretøy. Se spesifikasjonene for ladestasjonen i denne håndboken om du ønsker detaljer.
- Se i brukerhåndboken til kjøretøyet ditt om det er kompatibelt.

### ADVARSEL

Eksposering av ladestasjonen eller ladekabelen for varme eller brennbare stoffer kan føre til skade på ladestasjonen, noe som kan føre til personskade eller død.

- Pass på at ladestasjonen og ladekabelen aldri kommer i kontakt med varme.
- Ikke bruk eksplosive eller lett brennbare stoffer i nærheten av ladestasjonen.

### ADVARSEL

Bruk av ladestasjonen under forhold som ikke er spesifisert i denne håndboken kan føre til skade på ladestasjonen, noe som kan føre til personskade eller død.

- Bruk ladestasjonen kun under de driftsforholdene som er angitt i denne håndboken.

### ADVARSEL

Arbeid på elektriske installasjoner uten bruk av personlig verneutstyr kan medføre fare for skade.

- Bruk personlig verneutstyr som øyevern, kuttbestandige hansker og skilfrie vernesko for å forhindre personskade.

### ADVARSEL

I tilfelle brann kan det å ikke følge brannslukkingsinstruksjonene føre til økt fare, som kan føre til personskade eller død.

- Sørg for at elektrisitetstilførselen til utstyret som brenner eller står i fare for brann, frakobles straks det er trygt å gjøre dette.
- Ikke bruk vann til å slukke elektriske installasjoner og utstyr som har en aktiv strømtilførsel.
- Bruk et brannslukningsapparat som er spesifisert for bruk på elektrisk utstyr som er klassifisert opptil 1 kV for å slukke en ladestasjon.

**⚠ ADVARSEL**

Lading av et kjøretøy med ladekabelen ikke helt trukket ut kan føre til overoppheting av kabelen, noe som kan skade ladestasjonen.

- Før du kobler ladekabelen til kjøretøyet, rull ut ladekabelen helt slik at den ikke har noen overlappende løkker.

**⚠ ADVARSEL**

Å stikke fingrene inn i eller etterlate andre gjenstander inne i pluggporten (for eksempel under rengjøring) kan forårsake skade eller kan skade ladestasjonen.

- Ikke sett fingrene inn i støpselporten.
- Ikke la gjenstander stå i støpselporten.

**⚠ ADVARSEL**

Hvis du ikke tar forholdsregler mot elektrostatisk utlading (ESD), kan det skade elektroniske komponenter i ladestasjonen.

- Ta nødvendige forholdsregler mot ESD før berøring av elektroniske komponenter.

**⚠ ADVARSEL**

Å ikke aktivere fastvareoppdateringer for denne ladestasjonen, eller deaktivere, velge bort eller på annen måte unnlate å installere tilgjengelige fastvareoppdateringer, kan føre til at ladestasjonen støter på problemer, fungerer med feil og er mer utsatt for sikkerhets- eller sikkerhetsrisikoer.

## 2.2. Forholdsregler ved flytting og lagring

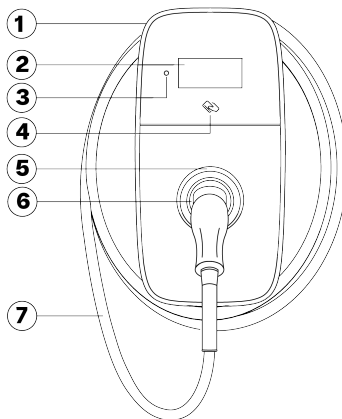
Overhold følgende retningslinjer ved flytting og lagring av ladestasjonen:

- Løft aldri ladestasjonen etter ladekabelen.
- Koble fra inngangsstrømmen før du tar ut ladestasjonen for oppbevaring eller flytting.
- Ladestasjonen må bare transporteres og oppbevares i originalemballasjen. Vi tar intet ansvar for skader som oppstår når produktet ikke transporteres i originalemballasjen.
- Lagre ladestasjonen i tørre omgivelser i området for temperatur og luftfuktighet som er angitt i de tekniske spesifikasjonene (se [Tekniske spesifikasjoner på side 333](#)).

## 3. Produktfunksjoner

### 3.1. Beskrivelse

- Ladestasjon**  
Ladestasjonen leverer strøm fra strømmettet til det elektriske kjøretøyet (EV).
- Skjermvisning**  
Skjermvisningen veileder brukeren gjennom nødvendige handlinger, og viser informasjon om ladeøkten.
- Lysensor og nærhetssensor**  
Lyssensoren måler lysintensiteten for å justere lysstyrken på skjermen og LED-ringene automatisk. Nærhetssensoren slår på skjermen når en person er nær ladestasjonen.
- RFID-leser**  
Dette er området hvor du skanner ladekortet eller nøkkelenheten for å starte eller stoppe en ladeøkt.
- LED-ring**  
LED-ringene angir status for ladestasjonen.
- Dokk**  
Dokken holder ladekabelpluggen når ladekabelen ikke er i bruk.
- Ladekabel**  
Ladekabelen kobler ladestasjonen til EV.  
Ladekabelen stues rundt stasjonen når kabelen ikke er i bruk.



### 3.2. Tekniske spesifikasjoner

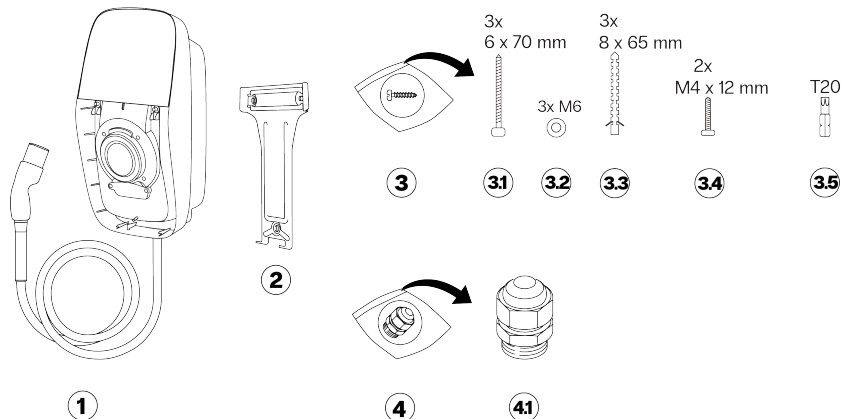
Egenskap	Beskrivelse
<b>Elektriske egenskaper</b>	
Maksimal ladehastighet	Opptil 22 kW (3-fase, 32 A) <b>i Merk</b> Reduksjon kan oppstå. Ladehastigheten avhenger av faktorer som forespørsel fra det elektriske kjøretøyet, tilgjengelig strømtilførsel og omgivelsestemperaturen.
Lademodus	Modus 3 (IEC 61851-1)
Fast ladekabel	Type 2-plugg (IEC 62196-1, IEC 62196-2)
Ladekabelens lengde	6 m
kWh meter	MID-godkjent med klasse B nøyaktighet (EN-50470) Eichrecht-kompatibel måler <sup>(1)</sup>
Inngangskapasitet	6-32 A konfigurert 1-fase, 230 V $\pm 10\%$ , maksimalt 32 A $\pm 6\%$ , 50/60 Hz 3-fase, 400 V $\pm 10\%$ , maksimalt 32 A $\pm 6\%$ , 50/60 Hz
Strømkabelens innkapslingsdiamater	12 til 25 mm
Strømkabelledningsmåler	Solid ledning: maksimalt 16 mm <sup>2</sup> . Flere ledere med hylse (uten plastomslag): maksimalt 10 mm <sup>2</sup> .
Nominell impulsmotstand spenning (U <sub>imp</sub> )	4000 V

Egenskap	Beskrivelse
Nominell isoleringsspenning (Ui)	250 V AC (fase til jord) 450 V AC (fase til fase)
Deteksjon av lekkasjestrøm	Utløsingstider og -grenser er i samsvar med IEC 61851-1:2017 Cl. 8.5. (i samsvar med IEC 62955:2018 tabell 2). Se <a href="#">Strømforsyningskrav på side 337</a> . RCBO: Type A eller Type B
<b>Miljø- og sikkerhetsklasse</b>	
Driftstemperaturområde	-30 °C til +50 °C
Temperaturområde for lagring	-40 °C til +80 °C
Fuktighet (ikke-kondenserende)	5 % til 95 %
Maksimal installasjonshøyde over havet	2000 m over havnivå
Kabinettkoder	IP55 (IEC 60529), IK10 (IEC 62262)
Sikkerhetsklasse	Sikkerhetsklasse 1 og overspenning kategori III
Forurensingsgrad for makromiljø	Forurensingsgrad 3
Elektromagnetisk kompatibilitets-klasse (EMC)	Miljø A og miljø B (i samsvar med IEC 61439-1)
Mekanisk motstand for fast montering	Høy motstand
<b>Tilkobling</b>	
Autorisering	RFID-leser, eller bruk av app
Wi-Fi	2,4/5 GHz
Lokalt nettverk	Ethernet
Mobilkommunikasjon	4G LTE-M (2G reserve støttes)
Kommunikasjonsprotokoll	OCPP 2.0.1
Smarte ladefunksjoner	Dynamisk lastbalansering, klyngelastbalansering, EEBus-kompatibel, ISO 15118 (kun maskinvare)
<b>Fysiske egenskaper</b>	
Dimensjoner (B x H x D)	256 x 508 x 211 mm
Vekt	Ca. 8,4 kg
Husmateriale	Lavkarbon Makrolon RE®
HMI	5" 800 x 480 WVGA IPS LCD, LED-ring, summetone, autorisasjon
<b>Sertifisering og samsvar</b>	
Strømforsyningsinngang	EV-forsyningsutstyr permanent koblet til strømforsyningsnettverk
Strømforsyningsutgang	Likestrøms EV-forsyningsutstyr
Normale miljømessige forhold	Innendørs og utendørs bruk
Tilgang	Utstyr for steder med ikke-begrenset tilgang
Utstyrstype	Stasjonært utstyr som er vegg- eller stolpemontert

<sup>(1)</sup>Valgfritt.

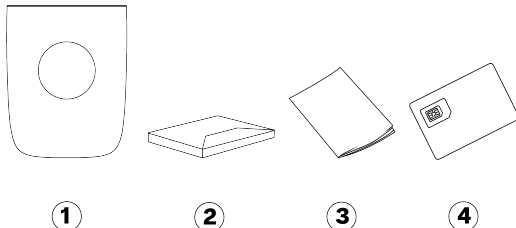
### 3.3. Leverte komponenter

#### Komponenter i ladestasjonsboksen



- |     |                               |     |  |
|-----|-------------------------------|-----|--|
| 1   | Ladestasjon med ladekabel     | 3.3 | Veggplugger, 8x65 mm, 3x                           |
| 2   | Veggbrakett                   | 3.4 | Skruer, M4x12 mm, T20, 2x                          |
| 3   | Installasjonssett             | 3.5 | Torx-bit, T20 sikkerhet                            |
| 3.1 | Panelskruer, 6x70 mm, T20, 3x | 4   | Kabelgjennomføringssett                            |
| 3.2 | Skiver, M6, 3x                | 4.1 | Kabelgjennomføring, 12-20 mm, med tetning og plugg |

#### Komponenter i dekselboksen



- |   |                           |   |                                 |
|---|---------------------------|---|---------------------------------|
| 1 | Omslagets fremside        | 3 | Installasjons- og brukerhåndbok |
| 2 | Velkomstpakke (valgfritt) | 4 | SIM-kort (valgfritt)            |

## 4. Installasjonsinstruksjoner

### 4.1. Forbered installasjon

#### 4.1.1. Planlegg installasjon

Følgende anbefalinger hjelper deg å planlegge montering av ladestasjonen.

#### Velg plassering

- Hvis det er mulig, plasser ladestasjonen på et sted der den ikke eksponeres for direkte sollys eller er utsatt for ekstern skade.
- Veggene må ha en flat struktur og kunne bære en vekt på minst 100 kg.
- Minimum med ledig plass rundt ladestasjonen er 300 mm.
- Plasseringen må ikke forårsake at ladekabelen bøyes skarpt.
- Strømkabelen kan plasseres inn i ladestasjonen fra øverst eller nederst. Innføring av kabel nedenfra A, kan brukes alle steder. Innføring av kabel B ovenfra må kun brukes på et sted der det ikke er fare for

eksponering for regn eller fuktighet.

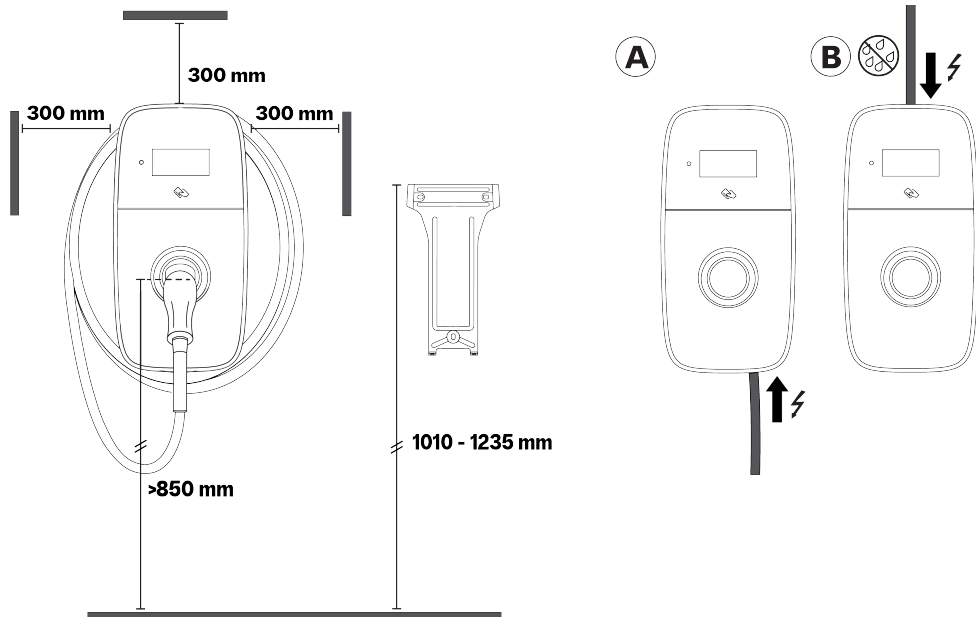
**⚠ ADVARSEL**

Risiko for vanninntrengning når innføring av kabel B ovenfra brukes utendørs. Over en lang periode kan regn og fuktighet komme inn i ladestasjonen sammen med strømkabelen, noe som kan skade ladestasjonen.

- Innføring av kommunikasjonskabel gjøres bare gjennom undersiden av ladestasjonen.

**i Merk**

Følgende illustrasjon viser minimum anbefalt installasjonshøyde. Kontroller og overhold lokale tilgjengelighetsbestemmelser.



### Sjekkliste før installasjon

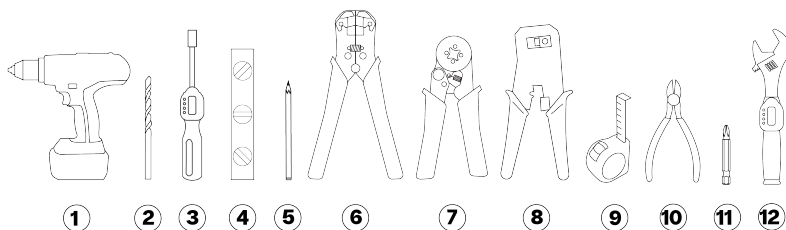
Sjekk følgende før installasjon av ladestasjonen startes:

- Installasjonen vil være i samsvar med IEC 60364 og gjeldende lokale forskrifter.
- Alle nødvendige tillatelser er innhentet fra de lokale myndighetene som har jurisdiksjon.
- Eksisterende elektrisk belastning beregnes for å finne maksimal driftsstrøm for installasjonen av ladestasjon.
- For en ladestasjon uten en RCBO, er en minikretsbytter (MCB) og restspenningsvern (RCD) installert oppstrøms, og har anbefalte dimensjoner. Se [Strømforsyningskrav på side 337](#).
- Strømforsyningskabel med riktig spesifisering er lagt til installasjonsområdet, og det er tilstrekkelig kabellengde til å avisolere og koble kablene.
- Strømforsyningskabelen forblir innenfor toleranser for bøyning under og etter installasjon.
- Anbefalte verktøy er tilgjengelige på stedet. Se [Nødvendige verktøy på side 337](#).
- Plugg, skruer og drillbits som brukes for installering av ladestasjonen er passende for veggstrukturen.
- Hvis du bruker en klyngeoppsett, må riktig faseorden planlegges og kravene oppfylles. Se [Valgfritt: klyngebelastbalansering på side 340](#).



## 4. Installasjonsinstruksjoner

### 4.1.2. Nødvendige verktøy



1. Drill
2. Drillbits for mur, 8 mm
3. Momentskrutrekker med bitholder, 0,5-3 Nm
4. Vater
5. Blyant
6. Avisoleringstang (strømkabel)
7. Hylsekrypeverktøy
8. Avisoleringstang og krympeverktøy (RJ45)
9. Målebånd
10. Avbitertang
11. Skrutrekkerbit, PH2
12. Momentnøkkel, 3-6 Nm

### 4.1.3. Strømforsyningskrav

#### **FARE!**

Å koble ladestasjonen til strømforsyningen på en annen måte enn det som er spesifisert i dette avsnittet vil resultere i inkompatibilitet av installasjonen og fare for elektrisk støt, som vil føre til skade på ladestasjonen, og personskade eller død.

- Ladestasjonen skal bare kobles til en strømforsyning i en konfigurasjon som er angitt i denne delen.

Jordingsystem	TN-S- og TNC-S-systemer	PE-kabel.
	TT-system IT-system	Jordingselektrode installeres separat (selvinstallert).
Inngangsspenning (fase)	1-fase	230 V ± 10 %, opptil 32 A ± 6 %, 50/60 Hz.
	3-fase	400 V ± 10 %, opptil 32 A ± 6 %, 50/60 Hz.
MCB (Miniature Circuit Breaker – mini effektbryter)	<ul style="list-style-type: none"><li>• Utløsningskarakteristikk: Type C.</li><li>• Utløsende spenning for MCB-en kan reduseres dersom omgivelsestemperaturen i strømtilførselskabinettet blir høy. Vurder potensielt høyere omgivelsestemperaturer ved valg av MCB-spesifikasjoner.</li><li>• Kreves ikke for stasjoner med en innebygd RCBO.</li></ul> <p><b>Merk</b></p> <ul style="list-style-type: none"><li>• Installasjonen, inkludert MCB, må være i samsvar med IEC 60364 og gjeldende lokale forskrifter.</li><li>• MCB må matche ladestasjonens strøminnstilling og maksimumsstrøm tilgjengelig for ladestasjonen, i henhold til MCB-produsentens spesifikasjoner.</li><li>• Maks I<sup>t</sup>-verdi for MCB-en må ikke overstige 75000 A<sup>2</sup>s.</li></ul>	

<p>RCD (Residual Current Device, jordfeilbryter)</p>	<ul style="list-style-type: none"> <li>• RCD-spenningsklasse: klassen skal matche spenningen til ladestasjonen.</li> <li>• Standardinstallasjoner:             <ul style="list-style-type: none"> <li>◦ For Frankrike må jordfeilbryteren være type B med en merkestrøm på 20 A eller 40 A, og maksimalt 30 mA AC lekkasjestrømdeteksjon.</li> <li>◦ For andre land må jordfeilbryteren være type A, F eller B med en merkestrøm på 20 A, 32 A eller 40 A, og maksimalt 30 mA AC lekkasjestrømdeteksjon.</li> </ul> </li> <li>• EV Ready-installasjoner: RCD-en må være Type A+, høy immunitet (for eksempel: HPI, SI, HI, KV, osv., avhengig av RCD-produzent).</li> <li>• Krevs ikke for stasjoner med en innebygd RCBO.</li> </ul> <p><b>i Merk</b></p> <ul style="list-style-type: none"> <li>• Installasjonen, inkludert RCD, må være i samsvar med IEC 60364 og gjeldende lokale forskrifter.</li> <li>• Ladestasjonen har intern DC-lekkasjedeteksjon med utløsningstider og -grenser i samsvar med IEC 61851-1:2017 Cl. 8.5. (i henhold til IEC 62955:2018 tabell 2).</li> </ul>
--	--

### Strømforsyningsledninger

Tabellene nedenfor beskriver hvordan strømforsyningen kobles til ladestasjonen, avhengig av typen strømforsyning og konfigurasjon av stasjonen.

#### **⚠ ADVARSEL**

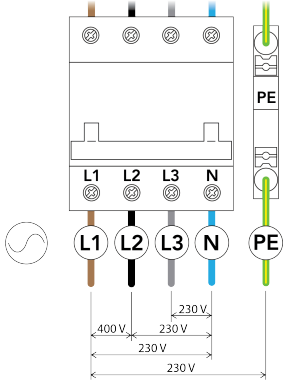
Tilkobling av en IT-strømforsyning (uten nøytral) til en innebygd Type A RCBO kan føre til skade på ladestasjonen og dermed forårsake skade eller død.

- Koble kun en TN eller TT 3-fase strømforsyning (med nøytral) til en innebygd Type A RCBO.

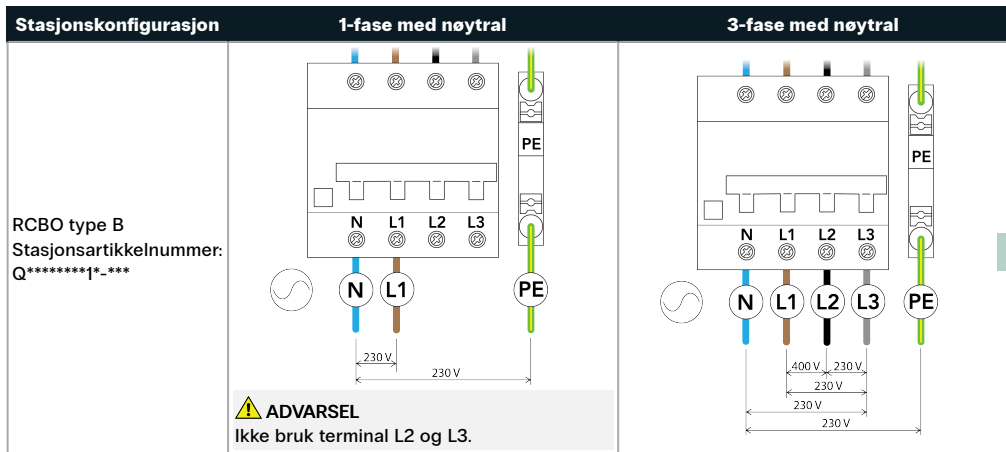
### TN og TT strømforsyning til RCBO

#### **i Merk**

Dette avsnittet gjelder kun stasjoner med innebygd RCBO.

Stasjonskonfigurasjon	1-fase med nøytral	3-fase med nøytral
<p>RCBO type A Stasjonsartikkelnummer: Q*****g*..***</p>	<p><b>⚠ ADVARSEL</b> Støttes ikke. Ikke koble en enkelt-faseforsyning til en stasjon med en 3-fase pluss nøytral RCBO.</p>	

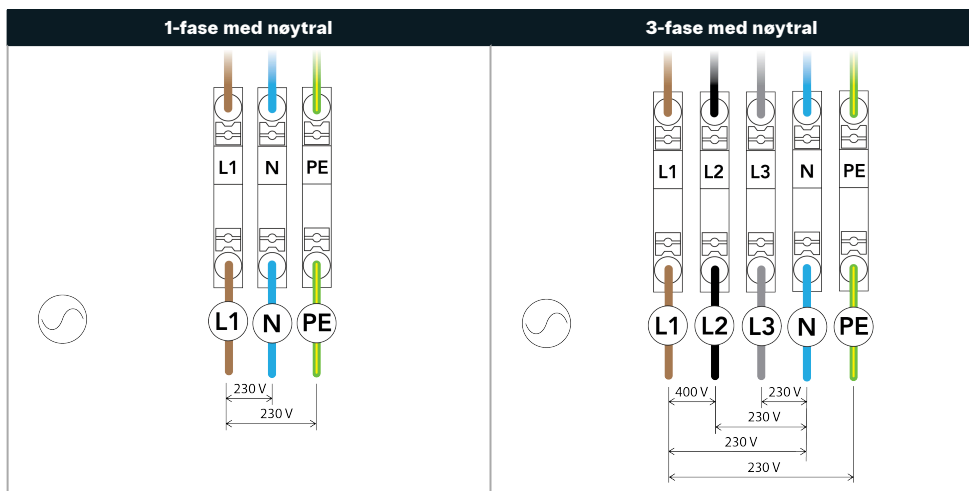
## 4. Installasjonsinstruksjoner



### TN og TT strømforsyning

#### **i** Merk

Dette avsnittet gjelder kun stasjoner uten innebygd RCBO.



### IT strømforsyning (uten nøytral) til RCBO

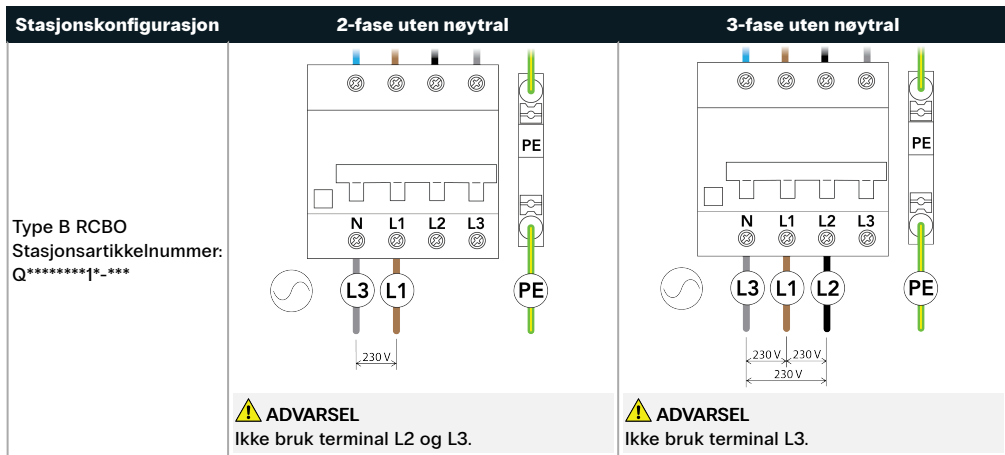
#### **⚠** ADVARSEL

Sikre at lokale bestemmelser tillater installasjon av ladestasjonen på et IT-nett uten nøytral. Påse at EV er kompatibel med denne type installasjon.

#### **i** Merk

Dette avsnittet gjelder kun stasjoner med innebygd RCBO.

NO



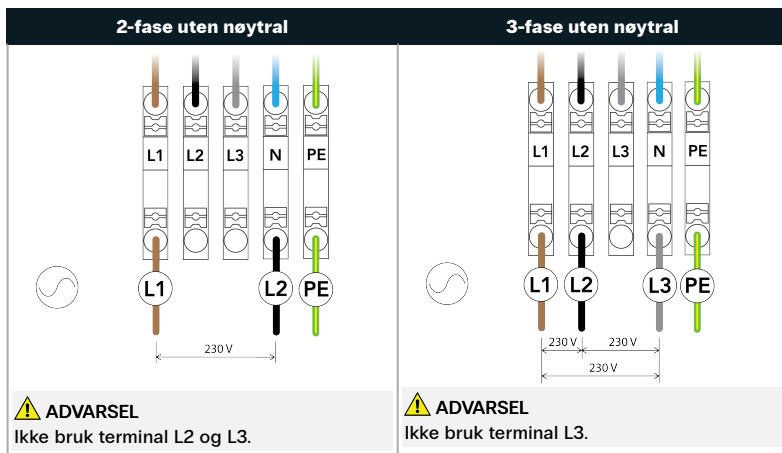
### IT strømforsyning (uten nøytral)

#### ⚠ ADVARSEL

Sikre at lokale bestemmelser tillater installasjon av ladestasjonen på et IT-nett uten nøytral. Påse at EV er kompatibel med denne type installasjon.

#### ℹ Merk

Dette avsnittet gjelder kun stasjoner uten innebygd RCBO.



### 4.1.4. Valgfritt: Dynamisk lastbalansering

Dynamisk lastbalansering overvåker kraftforbruket til alle elektriske apparater som bruker samme kraftkilde. leverer et kontrollsignal til ladestasjonen for å regulere kraften ladestasjonen leverer til EV, noe som bidrar til å balansere det totale kraftforbruket fra kraftkilden innenfor forhåndsinnstilte grenser. I en klyngeinstallasjon regulerer den tilkoblede ladestasjonen de andre ladestasjonene tilkoblet i klyngen.

Dynamisk lastbalansering krever en kablet inngang fra et lastbalanseringsdeteksjonssystem (se [Ladestasjonskommunikasjon på side 352](#)).

### 4.1.5. Valgfritt: klyngelastbalansering

En installasjon med klyngelastbalansering består av flere ladestasjoner tilkoblet i en klynge. En klynge tillater at et smart-strømnnett etableres over hele klyngen for å optimalisere strømbruk. Enhver stasjon kan brukes som den

#### 4. Installasjonsinstruksjoner

tilkoblede stasjonen i klyngen. Klyngen er satt opp med EVBox Install App. For korrekt lastbalansering må en klynge være koblet til en enkelt strømforsyningskrets.

Klyngelastbalansering krever at hver stasjon i klyngen kobles til samme lokale nettverk (LAN) ved hjelp av Ethernet-tilkoblingen (se [Ladestasjonskommunikasjon på side 352](#)).

#### Krav til klyngelastbalansering

Ethernet-bryter	<ul style="list-style-type: none"><li>• IPv6-støtte</li><li>• Ikke administrert</li><li>• Antall porter: Antall porter må være lik eller større enn antall ladere som er koblet til klyngen.</li><li>• RJ45-port</li><li>• 100 Mbps eller høyere</li><li>• Statisk multicasting: Deaktivert</li><li>• Dynamisk multicasting (MLD-snooping): Deaktivert</li></ul> <div data-bbox="445 483 1036 630"><p><b>i Merk</b></p><ul style="list-style-type: none"><li>◦ For store klynger kan to eller flere brytere kombineres i samme nettverk.</li><li>◦ En ekstra port kreves dersom bryteren brukes til internett-tilkobling.</li></ul></div>
Kabler	<ul style="list-style-type: none"><li>• CAT5</li><li>• Lengde: 100 m maksimal lengde for hver klyngenode</li></ul>

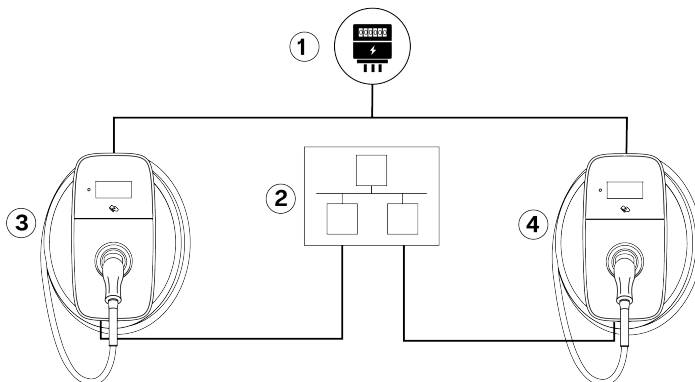
NO

#### Koblingsskjema

Følgende diagram beskriver hvordan flere ladestasjoner er koblet sammen i en klynge.

#### **i Merk**

Diagrammet inkluderer ikke internettforbindelsen til ladestasjonen. Internettforbindelsen til ladestasjonen kan settes opp ved hjelp av mobilnett, Wi-Fi eller Ethernet.



1. Strømforsyning
2. Ethernet-bryter

3. AC-lader 1
4. AC-lader N

#### Faserotasjon

For å unngå overbelastning av første fase med enfase elektriske kjøretøy, må faseordenen for hver ladestasjon som er tilkoblet en 3-fase strømforsyning i en Power-Sharing-installasjon konfigureres ved hjelp av EVBox Install App.

#### 4.1.6. Bare for aktuelle land: Fjernstrømstyring av DSO

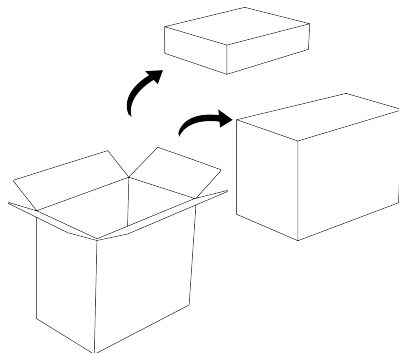
I henhold til tekniske tilkoblingsregler VDE-AR-N-4100:2019-04 Cl. 10.6.4, må ladestasjoner med en total merkeeffekt over 12 kVA ha et fjernstyringsgrensesnitt for å tillate fjernstenging av stasjonen av distribusjonssystemoperatøren (DSO). Denne ladestasjonen kan kobles med kabel til en oppstrøms DSO-enhet utstyrt med et relé som er normalt åpent (NO). Når reléet lukkes, går stasjonen inn i en suspendert tilstand og ladingen stoppes. Ladingen fortsetter når reléet åpnes. Se [Bare for aktuelle land: Fjernstrømstyring av kabel på side 356](#) for instruksjoner for kabeltilkobling.

Det kreves registrering hos DSO.

NO

## 4.2. Utpakking

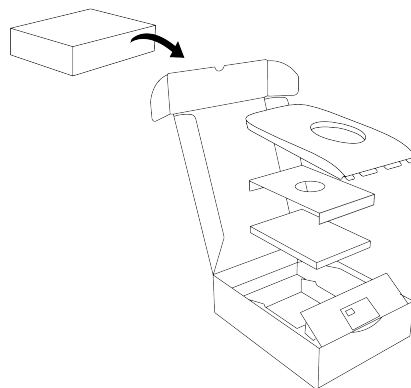
1. Åpne fraktesken. Ta ut dekselboksen og ladestasjonsboksen.



2. Åpne dekselboksen. Finn frontdekselet, velkomstpakken (valgfritt), dokumentasjonen til ladestasjonen og SIM-kortet (valgfritt).

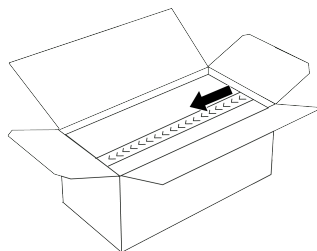
### **i** Merk

La frontdekselet være i emballasjen frem til installering, for å hindre skader.



#### 4. Installasjonsinstruksjoner

3. Åpne stasjonsboksen.

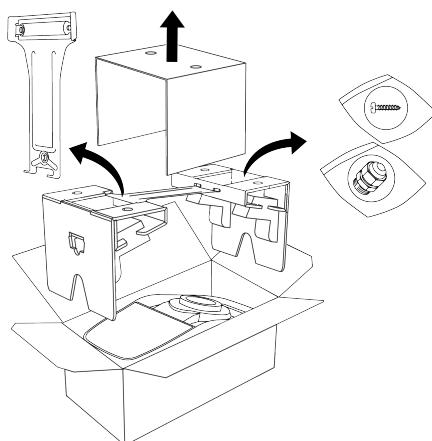


NO

4. Fjern de tre pappfyllerne, veggbraketten og installasjonssettene.

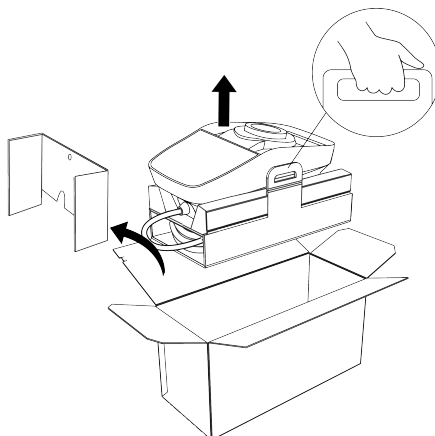
**i Merk**

La ladestasjonen og kabelen være i emballasjen frem til installering, for å hindre skader.

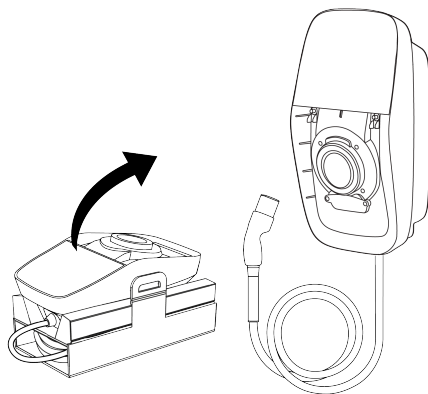


5. Når stasjonen kan installeres på veggbraketten, fjern ladestasjonen fra emballasjen som følger:

- a. Fjern pappinnlegget og løft deretter pappemballasjen med ladestasjonen og kabelen fra stasjonsboksen.



- b. Fjern ladestasjonen og ladekabelen fra emballasjen.



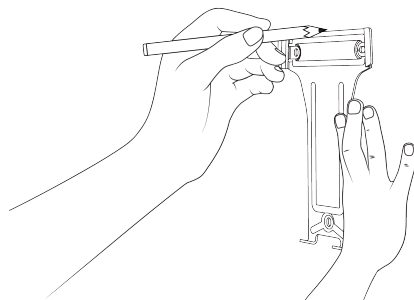
NO

### 4.3. Installer veggbraketten og ladestasjonen

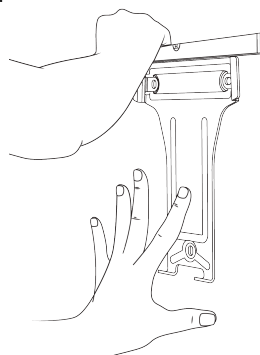
#### **⚠ ADVARSEL**

Følg anbefalingene i [Planlegg installasjon på side 335](#) når du velger en plassering og en installasjonshøyde for ladestasjonen, og når du velger en strømkabelinnføring.

1. Installer veggbraketten som følger:
  - a. Merk høyden på toppen av veggbraketten.



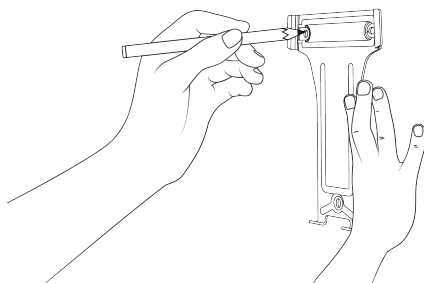
- b. Hold veggbraketten på veggen og juster den med en vater.





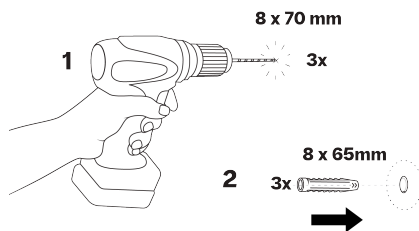
#### 4. Installasjonsinstruksjoner

- c. Merk de tre skrupunktene på veggen. Fjern veggbraketten.

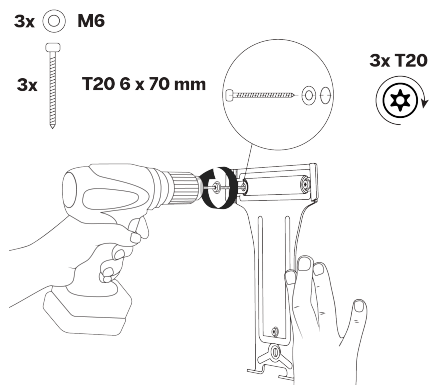


NO

- d. Bor et 8 mm hull til en dybde på 70 mm ved hvert skrupunkt. Installer en 8 x 65 mm veggplugg i hvert hull.

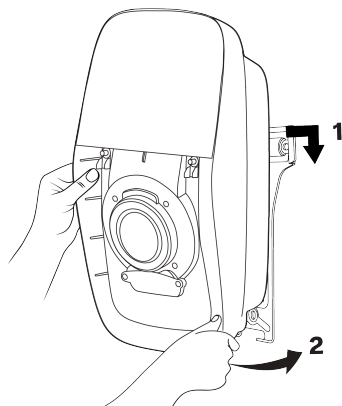


- e. Installer veggbraketten med tre T20 6 x 70 mm skruer og M6-skiver.



2. Installer ladestasjonen som følger:

- a. Sett ladestasjonen på toppen av veggbraketten, og roter den ned for å innrettes med de to nedre skru hullene.

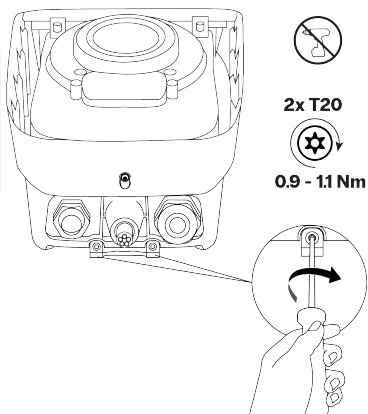


- b. Installer to sikkerhets-torx T20-skruer for å feste ladestasjonen til veggbraketten.

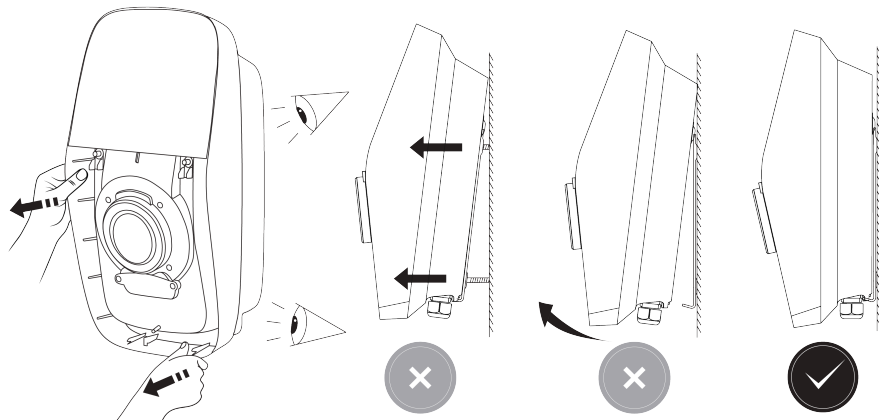
**⚠ ADVARSEL**

Bruk av elektrisk skrutrekker med høyt moment kan skade skrueene og komponentene.

- Bruk kun en skrutrekker med lavt moment med korrekt momentinnstilling.



- c. Trekk forsiktig i ladestasjonen for å sjekke at den er forsvarlig sikret til veggbraketten og veggen.



#### 4.4. Koble til strømkablelen

Ladestasjonen har utbyttbare kabelgjennomføringer:

- Den installerte kabelgjennomføringer er for en strømkabel med en hylsediameter på 13 til 25 mm.

#### 4. Installasjonsinstruksjoner

- Kabelgjennomføringssettet er for en strømkabel med en hylsediameter på 12 til 20 mm.

Terminalene passer til kabelstørrelser i følgende område:

- Solid ledning: maksimalt 16 mm<sup>2</sup>.
- Flere ledere med hylse (uten plastomslag): maksimalt 10 mm<sup>2</sup>.

Strømkabelen kan plasseres inn i ladestasjonen fra øverst eller nederst. Innføring av kabel nedenfra A, kan brukes alle steder. Innføring av kabel B ovenfra må kun brukes på et sted der det ikke er fare for eksponering for regn eller fuktighet.

#### ⚠ ADVARSEL

Følg anbefalingen i [Planlegg installasjon på side 335](#) ved valg av strømkabelinnføringspunkt for ladestasjonen.

#### ℹ Merk

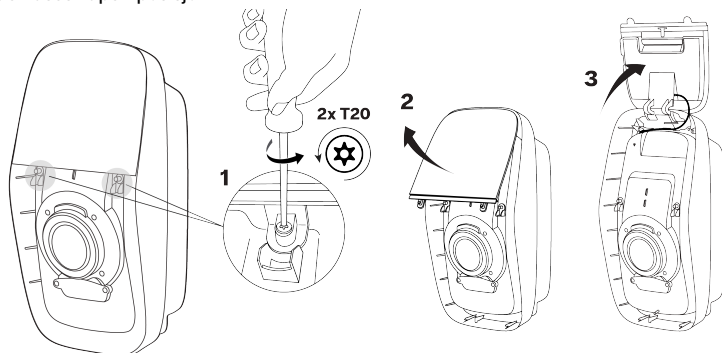
Innføring av kommunikasjonskabel gjøres bare gjennom undersiden av ladestasjonen.

#### ℹ Merk

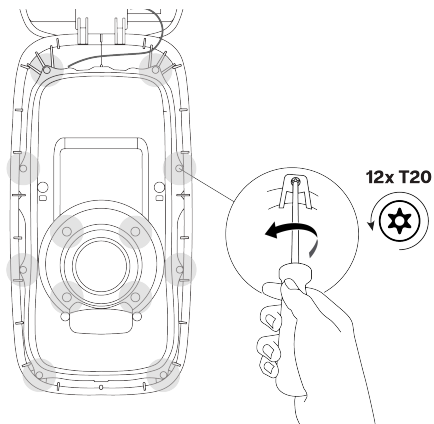
Alle Torx T20-skruer er sikrede. Ikke fjern de sikrede skruene fra ladestasjonen.

#### 1. Fjern det indre dekselet som følger:

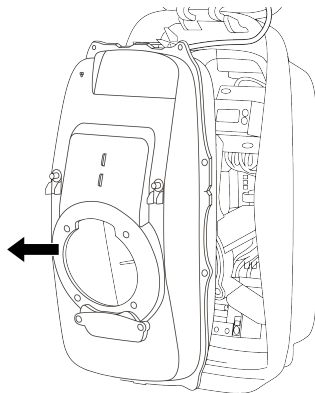
- a. Løsne de to sikkerhets-torx T20-skrueene som fester skjermdekselet. Åpne skjermdekselet helt slik at det låses i åpen posisjon.



- b. Løsne de 12 sikkerhets-torx T20-skrueene som fester det indre dekselet.



- c. Fjern det indre dekselet.

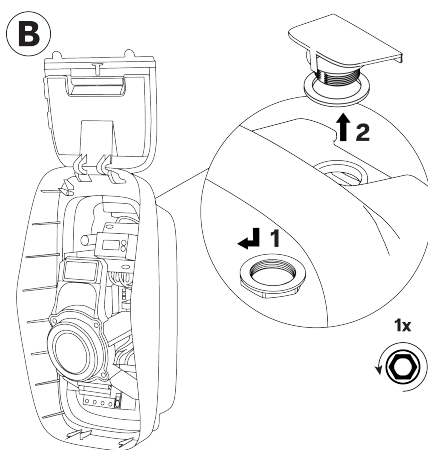


NO

2. For kabelinnføring ovenfra B: Forbered øvre innføring av strømkabelen som følger:

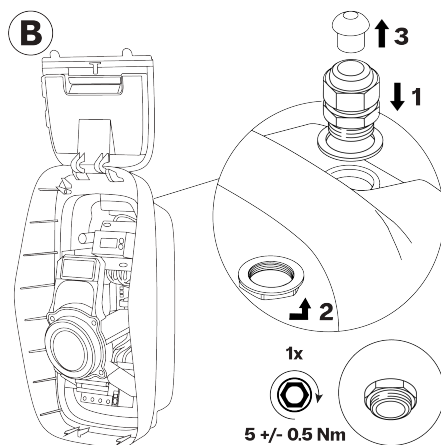
- a. Fjern mutteren som sikrer dekselet øverst. Fjern dekselet.

Hold mutteren løst på kabelgjennomføringen. Lagre dekselet i emballasjen.



- b. Installer kabelgjennomføringen og tetningen i den øvre innføringen. Installer og stram mutteren.

Fjern blankpluggen fra kabelgjennomføringen, og behold den for senere bruk.

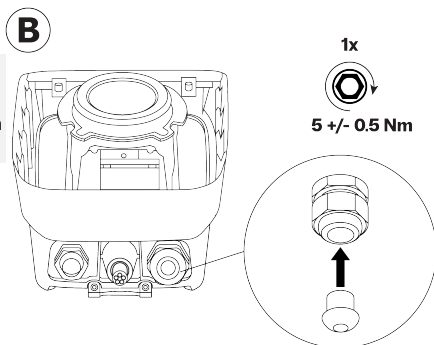


#### 4. Installasjonsinstruksjoner

- c. Installer blankpluggen i den ubrukte gjennomføringen i bunnen av ladestasjonen.

**⚠ ADVARSEL**

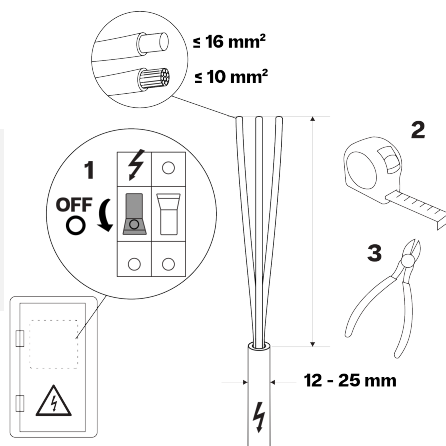
Påse at blankpluggen er installert i kabelgjennomføringen for å opprettholde IP-graden til ladestasjonen.



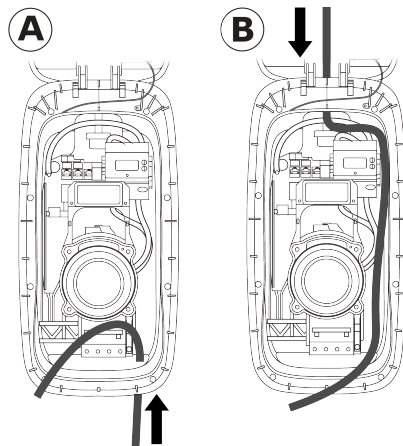
3. Kutt strømkabelen og strips den ytre hylsen slik at kabelen og dens ledninger er tilstrekkelig lengde til å koble RCBO- og PE-terminalblokken i ladestasjonen. Sett ekstra isolering på de individuelle ledningene om nødvendig.

**⚠ ADVARSEL**

For å beskytte Separated Extra Low Voltage (SELV)-kretser, skal ikke enkeltisolerte ledninger berøre komponenter på hovedkretskortet. Installer dobbelisolering på de individuelle ledningene når nødvendig, for eksempel med krympestrømpe eller isoleringshylser.



4. Mat strømkabelen i ladestasjonen med nedre kabelinnføring A eller øvre kabelinnføring B. Før strømkabelen til forbindelsespunktene. La det være tilstrekkelig lengde til stripp, og koble til ledningene.

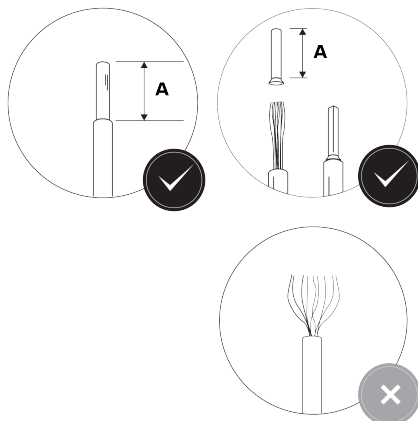


NO

## 5. Avisoler ladningsendene på strømkabelen:

- For en RCBO, A = 12 mm
- For rekkeklemme, A = 18 mm

Når flertrådede ledninger brukes, installer kabelendehylser og påfør en firkantet krymping for optimal passform i RCBO- og PE-rekkeklemmen.



## 6. For en stasjon med en innebygd RCBO: Koble til strømkabelen som følger:

**⚠ ADVARSEL**

Feil tilkobling av strømledningene kan resultere i fare for elektrisk støt, og dermed til skade på ladestasjonen, personskaade eller død.

- Pass på at strømledningene er koblet til riktig.

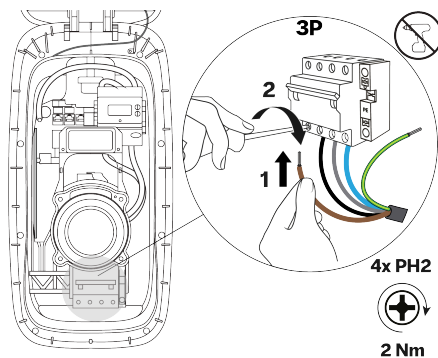
**i Merk**

Koble til ledninger i henhold til diagrammene for strømtilførsel i [Strømforsyningskrav på side 337](#).

**i Merk**

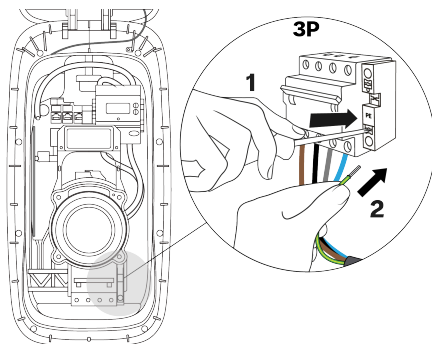
Type B RCBO-er er installert opp-ned i ladestasjonene.

- a. Koble ledningene til strømkabelen til RCBO. Stram til skruene for å feste ledningene.



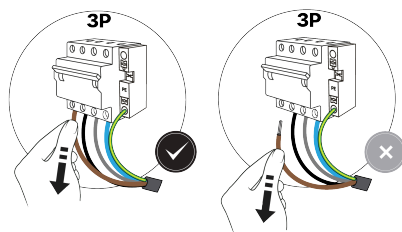
#### 4. Installasjonsinstruksjoner

- b. Koble PE-ledningen til strømkabelen til PE-rekkeklemmen.



NO

- c. Trekk hver ledning slik at hver ledning er sikkert tilkoblet.



7. For en stasjon med rekkeklemmer: Koble til strømkabelen som følger:

#### **⚠ ADVARSEL**

Feil tilkobling av strømledningene kan resultere i fare for elektrisk støt, og dermed til skade på ladestasjonen, personskade eller død.

- Pass på at strømledningene er koblet til riktig.

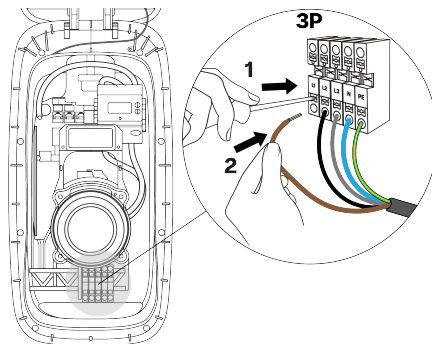
#### **i Merk**

Koble til ledninger i henhold til diagrammene for strømtilførsel i [Strømforsyningskrav på side 337](#).

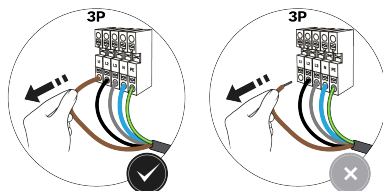
#### **i Merk**

Illustrasjonen viser en 3-fase med nøytral tilkobling.

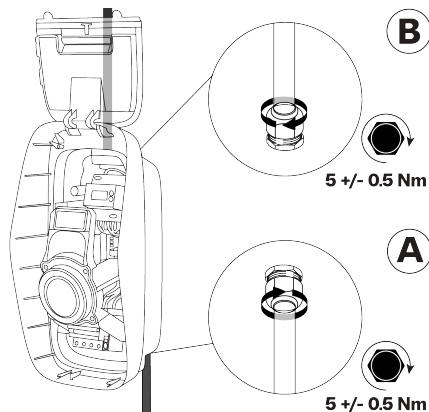
- a. Koble ledningene til strømkabelen til rekkeklemmene.



- b. Trekk hver ledning slik at hver ledning er sikkert tilkoblet.



8. Stram kabelgjennomføringen for å sikre strømkabelen og opprettholde IP-graden for ladestasjonen.



## 4.5. Ladestasjonskommunikasjon

Innføring av kommunikasjonskabel gjøres bare gjennom venstre kabelgjennomføring på undersiden av ladestasjonen. Maksimalt fire kommunikasjonskabler kan settes inn i ladestasjonen gjennom kabelgjennomføringen.

Det er tre alternativer for å koble ladestasjonen til internett:

- Ethernet (anbefalt alternativ)
- Wi-Fi (se [Konfigurasjon på side 362](#))
- Mobildata (SIM-kort)

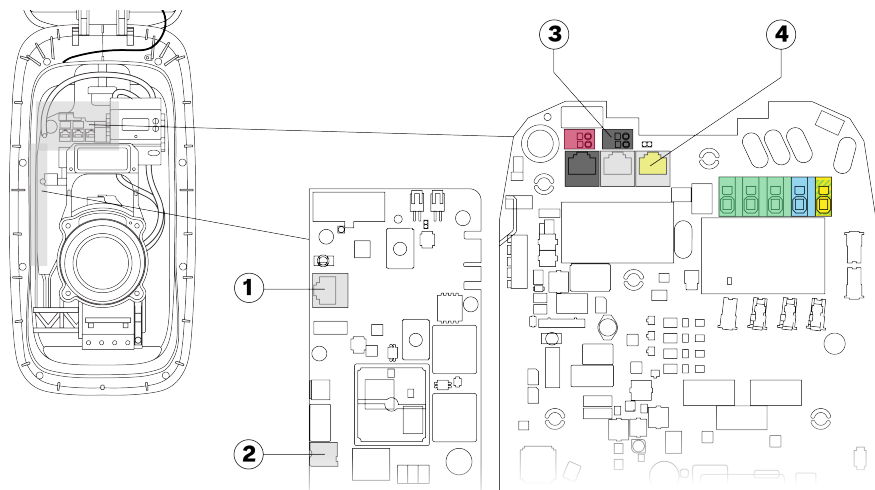
**Kommunikasjonstilkoblinger og -komponenter**

### **i** Merk

Kommunikasjonstilkoblinger og -komponenter som brukes, avhenger av ladestasjonens modell og nødvendig funksjonalitet.



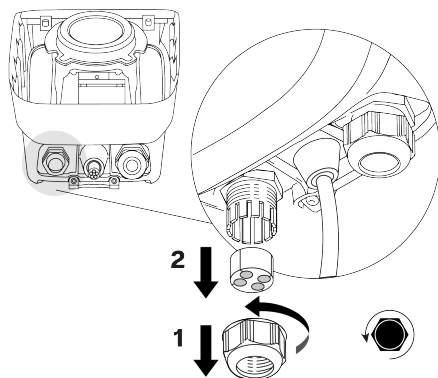
## 4. Installasjonsinstruksjoner



1. Ethernet-uttak for kablet internettforbindelse
2. Nano SIM-kortspor for trådløs internettforbindelse
3. Terminaler for aktiv effektstyring (kun for Tyskland)
4. CT IN-kontakt for dynamisk lastbalansering

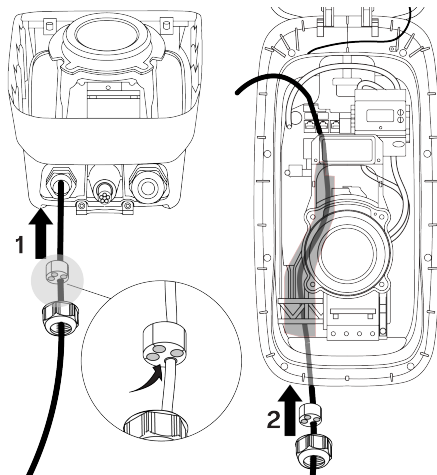
### 4.5.1. Ruting av kommunikasjonskabler

1. Fjern mutteren og tetningen for kabelgjennomføringen fra venstre kabelgjennomføring.



NO

- Sett de nødvendige kommunikasjonskablene gjennom kabelgjennomføringens mutter og tetning, deretter gjennom venstre kabelgjennomføring nederst på ladestasjonen. Sett kablene gjennom kabalkanal, til toppen av ladestasjonen.



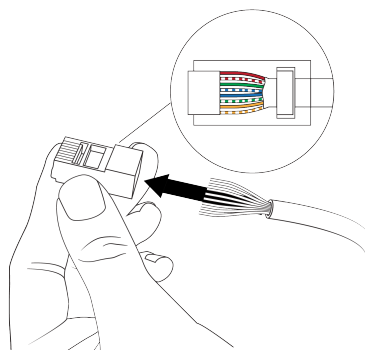
#### 4.5.2. Valgfritt: koble til Ethernet-kabel for internett

##### **i** Merk

Bruk en hvilken som helst nettverkskabel i Kat5 og over (katt, kat5e, kat6) med vridde kabelpar.

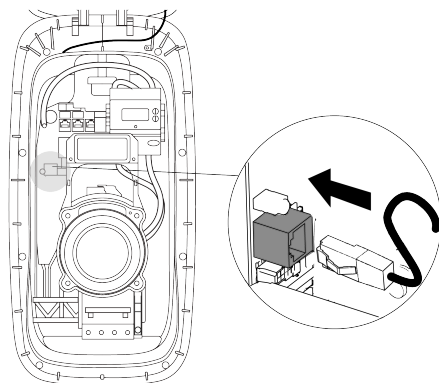
- Det anbefales å bruke en skjermet nettverkskabel, men det er ikke påkrevet.
- Skjermingen skal ikke jordes dersom en skjermet kabel brukes.
- Bruk en UV-stabilisert nettverkskabel for utendørs installasjoner.
- Nettverkskabler kan ha forhåndsinstallert RJ45-pluggen, eller så kan RJ45-pluggen installeres før eller etter ruting av nettverkskabelen inn i ladestasjonen.

- Hvis det ikke er forhåndsinstallert en RJ45-plugg, installeres en RJ45-plugg på nettverkskabelen.



#### 4. Installasjonsinstruksjoner

2. Koble nettverkskabelens RJ45-plugg på Ethernet-kontakten på kommunikasjonskortet.



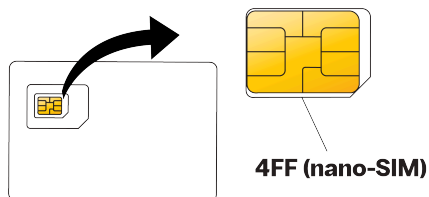
NO

#### 4.5.3. Valgfritt: installer SIM-kort for internett

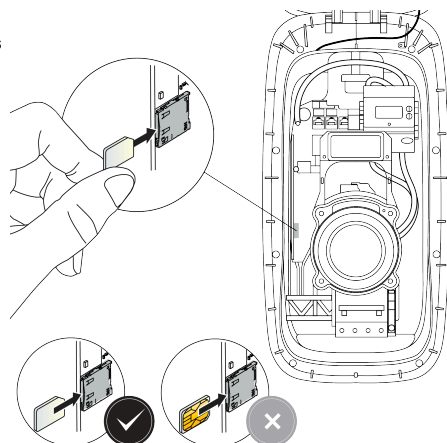
##### Merk

Bare spesifikke SIM-kort støttes.

1. Fjern 4FF-SIM-kortet (nano-SIM) fra kortet sitt.



2. Skyv inn og lås 4FF (nano-SIM) SIM-kortet i sporet på kommunikasjonskortet. SIM-kortkontaktene må vendes mot kommunikasjonskortet.



#### 4.5.4. Valgfritt: koble til kabel for dynamisk lastbalansering

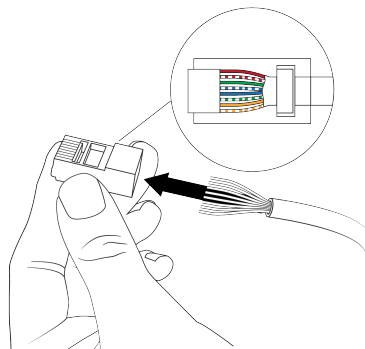
##### **i** Merk

Bruk en hvilken som helst nettkabel i Kat5 og over (katt, kat5e, kat6) med vridde kabelpar.

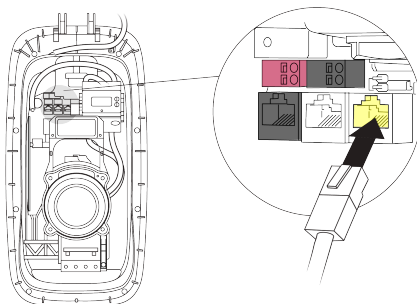
- Det anbefales å bruke en skjermet nettkabel, men det er ikke påkrevet.
- Skjermingen skal ikke jordes dersom en skjermet kabel brukes.
- Bruk en UV-stabilisert nettkabel for utendørs installasjoner.
- Nettkabler kan ha forhåndsinstallert RJ45-pluggen, eller så kan RJ45-pluggen installeres før eller etter ruting av nettkabelen inn i ladestasjonen.

NO

1. Hvis det ikke er forhåndsinstallert en RJ45-plugg, installeres en RJ45-plugg på nettkabelen.



2. Koble nettkabelens RJ45-plugg til CT IN-pluggen.



#### 4.5.5. Bare for aktuelle land: Fjernstrømstyring av kabel

Terminalblokkene skal passe til kabelstørrelser i følgende område:

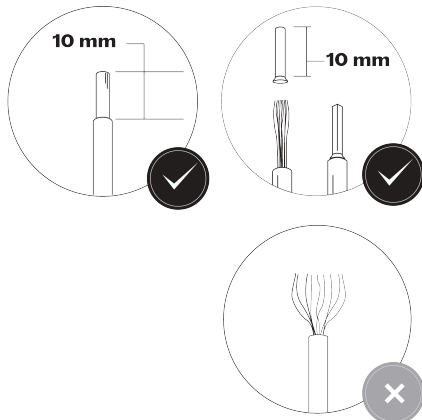
- Solid ledning: maksimalt 1,5 mm<sup>2</sup>.
- Flere ledere med hylse (uten plastomslag): maksimalt 1,5 mm<sup>2</sup>.

Bruk dobbeltisolert kabel som tåler temperaturer opp til 90 °C.

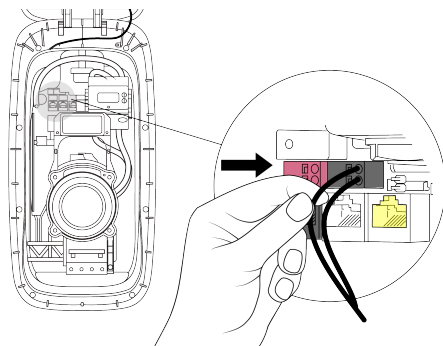
#### 4. Installasjonsinstruksjoner

1. Avisoler ledningsendene på den aktive strømstyringskabelen.

Når det brukes flertrådede ledninger, installer hylser (uten plasthylser) og påfør en firkantet krymping for optimal passform i terminalblokkene.



2. Koble de aktive strømstyringsledningene til den svarte terminalblokken (digital inngang 1).



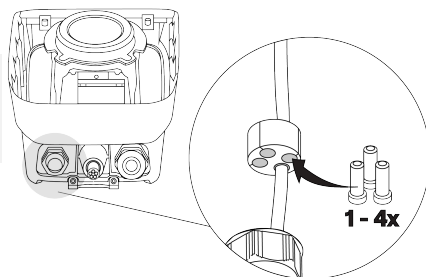
3. Koble den andre enden av den aktive strømstyringskabelen til en DSO-kontrollenhet med kontakter som er normalt åpne (NO).

#### 4.5.6. Stram kabelgjennomføringen

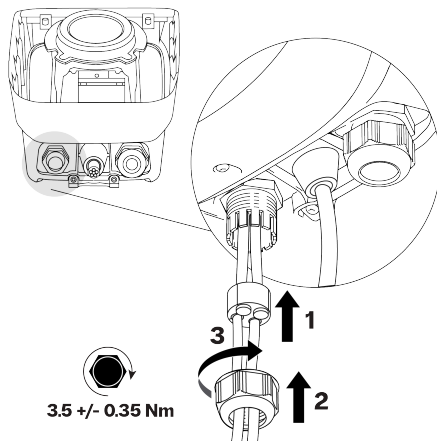
1. Installer blankplugger i ubrukte innganger i kabelgjennomføringens tetning.

##### ADVARSEL

Sørg for at stoppepluggene er på plass i ubrukte åpninger i kabelgjennomføringen, for å opprettholde IP-graden for ladestasjonen.



2. Flytt tetningen opp i kabelgjennomføringen, og stram kabelgjennomføringen for å feste nettverkskabler og pluggene.

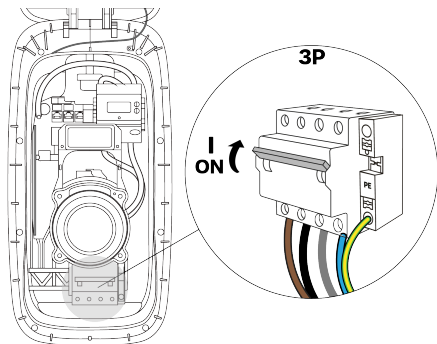


#### 4.6. Monter det nye ladestasjonsdekslene

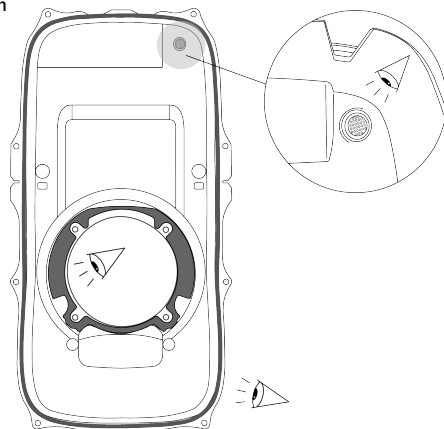
1. For en stasjon med en innebygd RCBO: I ladestasjonen sørger du for at RCBO er slått på.

##### Merk

Type B RCBO-er er installert opp-ned i ladestasjonene. Hvis ladeanlegget har en Type B RCBO, er retningene for av og på omvendt.

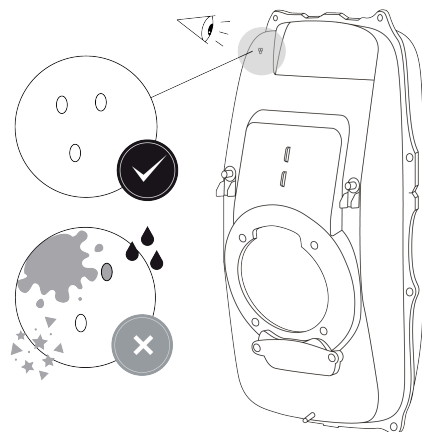


2. Før installasjon, kontroller det indre dekslet som følger:
  - a. Kontroller på innsiden at den indre dekselpakningen og sentertetningen er ren og fri for skader. Kontroller at luftmembranen er sikker og fri for skade.



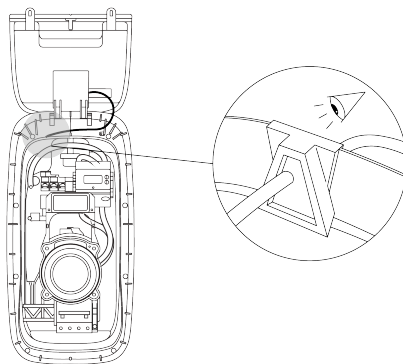
#### 4. Installasjonsinstruksjoner

- b. Kontroller på utsiden at de tre ventileringshullene ikke blokkeres av vann, støv eller smuss.

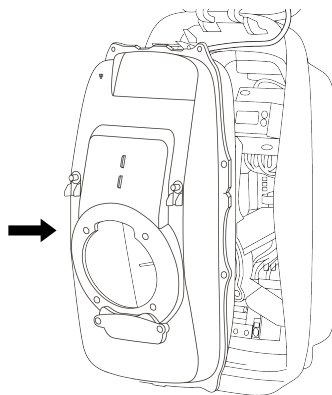


NO

- 3. Kontroller på ladestasjonen at gjennomføringstetningen for skjermkabelen er riktig installert.



- 4. Installer indre deksel som følger:
  - a. Koble inn nedre del av dekselet under senterhullet, og skyv deretter øvre del av dekselet inn i posisjon.



- b. Stram de 12 sikkerhets-torx T20-skrueene i rekkefølgen som vises for å feste det indre dekselet.

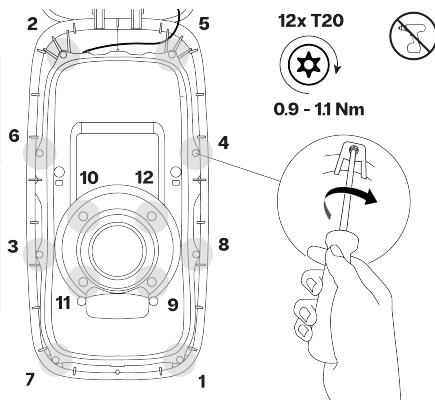
**⚠ ADVARSEL**

Fare for vannlekkasje. Regn og fukt kan trenge inn i ladestasjonen dersom skrueene ikke strammes i riktig rekkefølge.

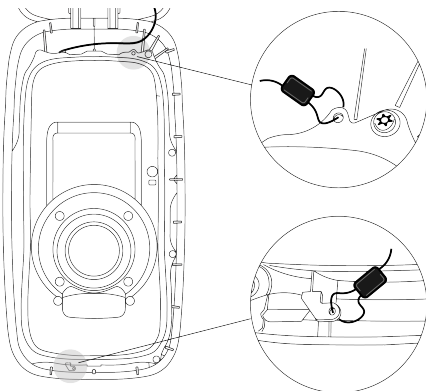
**⚠ ADVARSEL**

Bruk av elektrisk skrutrekker med høyt moment kan skade skrueene og komponentene.

- Bruk kun en skrutrekker med lavt moment med korrekt momentinnstilling.



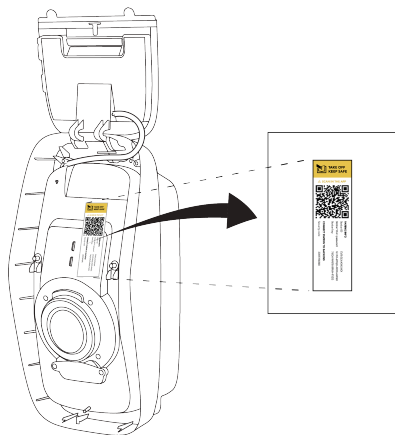
- c. Valgfritt: Installer to inngrepssikre tetninger øverst i høyre og nederst i venstre hjørne på det indre dekselet.



5. Fjern klistremerket som inneholder ladestasjonsspesifikk informasjon fra det indre dekselet. Oppbevar det sammen med dokumentasjonen for ladestasjonen. Informasjonen på klistremerket er nødvendig under konfigurering.

**⚠ ADVARSEL**

For å hindre uautorisert tilgang til innstillingene for ladestasjonen, må klistremerket ikke oppbevares sammen med ladestasjonen.



6. Installer skjermdekselet og det fremre dekselet som følger:



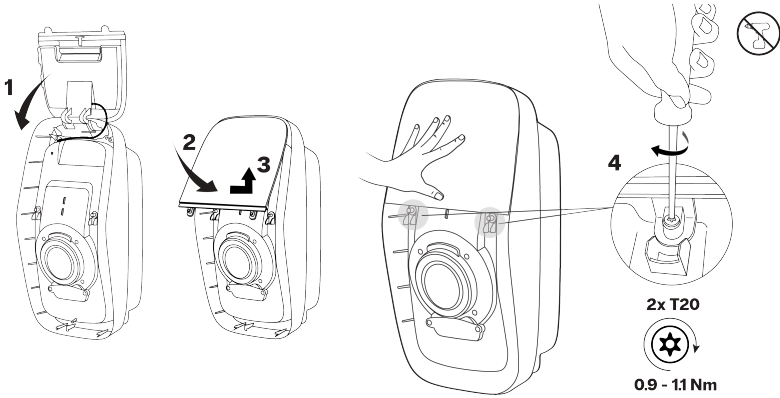
#### 4. Installasjonsinstruksjoner

- a. Lukk skjermdekselet og hold det lukket. Fest skjermdekselet med de to sikkerhets-torx T20-skrueene.

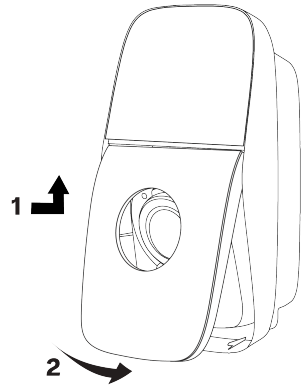
**⚠ ADVARSEL**

Bruk av elektrisk skrutrekker med høyt moment kan skade skruene og komponentene.

- Bruk kun en skrutrekker med lavt moment med korrekt momentinnstilling.



- b. Løsne den øvre kanten av frontdekselet under den nedre kanten av skjermdekselet, roter deretter dekselet ned for å justere det nedre skruerhullet.

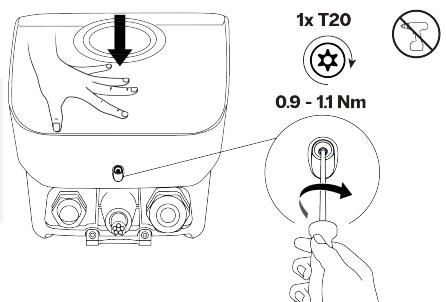


- c. Skyv frontdekselet mot fjæren. Stram den Torx T20-sikrede skruen for å feste frontdekselet på ladestasjonen.

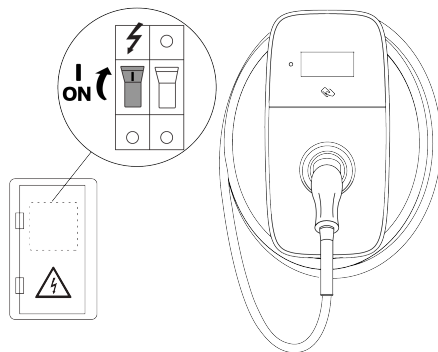
**⚠ ADVARSEL**

Bruk av elektrisk skrutrekker med høyt moment kan skade skruene og komponentene.

- Bruk kun en skrutrekker med lavt moment med korrekt momentinnstilling.



7. Heng ladekabelen løst rundt ladestasjonen for lagring, og plasser ladestøpselet i støpselholderen. Slå på strømtilførselen til ladestasjonen. LED-ringene spinner hvitt for å indikere at ladestasjonen starter opp.



Ladestasjonen er nå helt installert. LED-ringene lyser hvitt, blinker på og av to ganger for å indikere at konfigureringen kan startes.

## 4.7. Konfigurasjon

Ladestasjonen må kobles til internett for å fungere. Når den er koblet til, anbefales det å aktivere ladestasjonen på en Charging Management Platform (CMP) for å dra full nytte av alle ladestasjonens funksjoner og online-støtte.

Konfigureringen må fullføres før bruk av ladestasjonen.

### 4.7.1. Konfigurer ladestasjonen

#### ADVARSEL

Risiko for elektrisk støt, noe som kan føre til alvorlige personskader eller død. Kun kvalifiserte elektrikere har tillatelse til å bruke EVBox Install-appen til å konfigurere ladestasjonen.

1. Last ned og installer EVBox Install App på smarttelefon eller nettbrett.



2. Åpne EVBox Install App og følg instruksene i appen. Den spesifikke informasjonen for ladestasjonen fra klistremerket er nødvendig for konfigurering under installeringen.



## 5. Brukerinstruksjoner

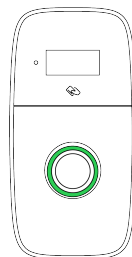
3. Bruk EVBox Install App og still inn følgende nøkkelinnstillinger for å sørge for at ladestasjonen driftes trygt:
  - Maksimal ladestrøm.
  - Internett-tilkobling.
  - Andre konfigureringsinnstillinger.

### 4.7.2. Valgfritt: Aktiver ladestasjonen med CMP

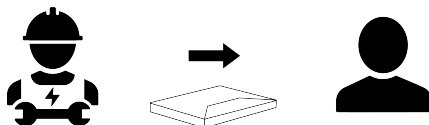
For en tilkoblet ladestasjon må brukeren aktivere ladestasjonen med Charging Management Platform (CMP) på nettstedet for CMP eller ved å bruke den CMP-spesifikke appen. Kontakt Charging Point Operator (CPO) for detaljer om aktiveringsprosedyren for ladestasjonen.

### 4.7.3. Klar til bruk

Ladestasjonen er klar til å lade en elbil når dekslene er montert på ladestasjonen, igangkjøringen er fullført og LED-ringen viser jevnt grønt



Overlever all dokumentasjon til eieren. Eieren må oppbevare alle de leverte dokumentene levert med ladestasjonen på et trygt sted gjennom hele levetiden til produktet.



## 5. Brukerinstruksjoner

### FARE!

Unnlatelse av å følge brukerinstruksjonene i denne håndboken, fører til fare for elektrisk støt, noe som vil føre til alvorlig personskade eller død.

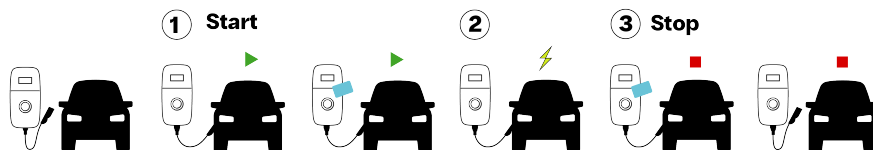
- Les sikkerhetsreglene og brukerinstruksjonene i denne håndboken før du bruker ladestasjonen.
- Hvis du er usikker på hvordan du bruker ladestasjonen, kontakt din forhandler for mer informasjon.

### 5.1. Starte og stoppe en ladeøkt

#### Merk

Ladeøktinstruksjoner vises også på skjermen.

1. Start lading:
  - Ta støpselet fra ladestasjonsdokken, vikle deretter ladekabelen helt ut fra rundt ladestasjonen.
  - Koble ladekabelen til kjøretøyet ditt.
  - Hvis du bruker et ladekort eller en nøkkelenhet, holder du den/det foran leseren på ladestasjonen for å starte ladingen.\*
2. Kjøretøyet ditt lader.
3. Stopp lading:
  - Hvis du bruker et ladekort eller en nøkkelenhet \*\*, holder du den/det foran leseren på ladestasjonen for å stoppe ladingen.\*
  - Koble fra ladekabelen fra kjøretøyet ditt.
  - Vikle ladekabelen rundt ladestasjonen, og sett deretter støpselet i dokken.



\* Når ladestasjonen er konfigurert til å bare godta ladekort eller nøkkelenheter.

\*\* Du må bruke samme ladekort eller nøkkelenhet som du brukte til å starte ladeøkten.

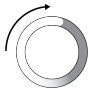







## 5.2. Statusindikering

### Merk

Statusen til ladestasjonen vises også på skjermen.

### Merk

Noen funksjoner og status-indikeringer er ikke tilgjengelige på alle modellene.

LED-ring	Farge	Tilstandsbeskrivelse
	Hvit (spinner)	Ladestasjonen starter eller programvaren oppdateres.
	Hvit (blinker)	Ladestasjonen venter på konfigurering med EVBox Install App.
	Grønn (konstant)	Venter. Ladestasjonen er klar til lading.
	Rød (konstant)	Autentisering ikke godtatt. Indikasjon endres til grønn etter 5 sekunder.
	Blå (konstant)	<ul style="list-style-type: none"> <li>Ladestasjon venter på kjøretøyet.</li> <li>Ladingen er satt på pause.</li> </ul>
	Blå (fyller fra bunn)	Kjøretøyet lader.
	Grønn (blinker)	Ladeøkten er fullført. Kjøretøyet kan kobles fra ladestasjonen.
	Oransje (konstant)	Lading er treg eller satt på pause på grunn av høy temperatur. Ladingen gjenopptas automatisk.

LED-ring	Farge	Tilstandsbeskrivelse
	Oransje (blinker)	Ladeøkten har mislyktes. Koble fra kjøretøyet og prøv igjen.

### 5.3. Vedlikehold av bruker

Brukeren av ladestasjonen er ansvarlig for tilstanden til ladestasjonen, der både lover om sikkerhet for personer, dyr og eiendom skal overholdes, samt gjeldende installasjonsforskrifter i brukslandet skal følges. Ladestasjonen og installasjonen skal inspisert av en kvalifisert elektriker regelmessig og i samsvar med installasjonsbestemmelsene som gjelder i landet ditt.

#### FARE!

Hvis ladestasjonen utsettes for mye vann, vil det føre til fare for elektrisk støt, noe som vil føre til alvorlig personskade eller død.

- Ikke rett kraftige vannstråler mot eller på ladestasjonen.
- Ikke legg ladestøpselet i væske.

#### ADVARSEL

Ikke bruk sterke kjemiske rengjøringsmidler eller løsemidler til å rengjøre ladestasjonen.

1. Smuss og naturlig organisk materiale fjernes fra utsiden av ladestasjonen med en myk, fuktig klut. Pass på at skjermen, LED-ringene og lyssensoren er rene.
2. Kontroller ladestasjonen, ladekabelen og ladepluggen visuelt. Hvis du mistenker at ladestasjonen, kabelen eller pluggen har skade eller er skitne, må du kontakte en kvalifisert elektriker for å reparere eller bytte skadede komponenter.
3. Trekk forsiktig i ladestasjonen for å sjekke at den er forsvarlig installert. Pass på at det ytre dekselet til stasjonen er sikret. Hvis ladestasjonen eller dekselet er løst, ta kontakt med en kvalifisert elektriker for å reinstallere stasjonen på riktig måte.

### 5.4. Logg på ladestasjonen

Ved å bruke en Wi-Fi-aktivert smarttelefon, nettbrett eller bærbar PC kan brukeren logge på ladestasjonen for å endre innstillinger som Wi-Fi og vise programvarelisensene. For instruksjoner, se [help.evbox.com](http://help.evbox.com).


## 6. Feilsøking

#### FARE!

Vedlikehold på og reparasjon av ladestasjon utført av en ikke-kvalifisert person fører til risiko for elektrisk støt, noe som vil føre til alvorlig personskade eller død.

- Bare en kvalifisert elektriker har lov til å vedlikeholde eller reparere ladestasjonen.
- Brukeren må ikke forsøke å vedlikeholde eller reparere ladestasjonen da den ikke inneholder deler som kan vedlikeholdes av bruker.

### 6.1. Feilindikasjon

LED-ring	Farge	Tilstandsbeskrivelse	Handling
	Rød (konstant)	En feil har oppstått.	Følg instruksjonene som vises på skjermen.

LED-ring	Farge	Tilstandsbeskrivelse	Handling
	Av	Strømforsyningen har feilet.	Kontroller strømforsyningen til stasjonen. Tilbakestill MCB eller RCD i strømforsyningsskapet. For en stasjon med en innebygd RBCO, kontroller om RCBO er åpen (se <a href="#">Få tilgang til RCBO på side 366</a> ).

**i Merk**

Noen feiltilstander løses ved å slå strømmen av og på igjen.

- For stasjoner uten en innebygd RCBO, slå strømmen av og på igjen i strømforsyningsskapet.
- For stasjoner med en innebygd RCBO, slå strømmen av og på igjen med RCBO

(se [Få tilgang til RCBO på side 366](#)).

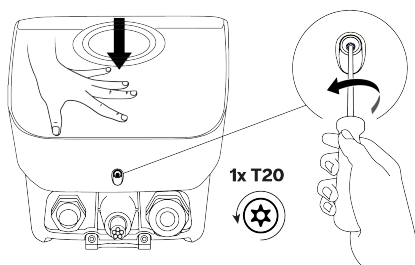
## 6.2. Få tilgang til RCBO

Denne prosedyren gjelder bare for ladestasjoner som har en innebygd RCBO. RCBO er tilgjengelig gjennom et tilgangsdeksel plassert på innerdekslet. Før du starter denne prosedyren, må du sørge for at strømmen leveres til ladestasjonen.

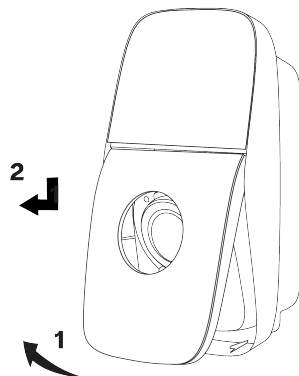
**i Merk**

Alle Torx T20-skruer er sikrede. Ikke fjern de sikrede skruene fra ladestasjonen.

1. Hvis EV er koblet til ladestasjonen, koble fra EV.
2. Skyv det fremre dekslet mot fjæren, og løsne deretter én sikkerhetsskrue Torx T20 som fester det fremre dekslet på ladestasjonen.

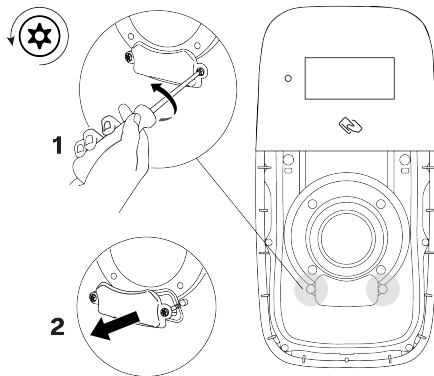


3. Roter frontdekslet opp, løsne deretter den øvre kanten av frontdekslet fra under nederkanten av skjermdekslet.



## 6. Feilsøking

4. Løsne to Torx T20-sikrede skruer. Fjern RCBO-dekselet **2x T20** fra det indre dekselet.

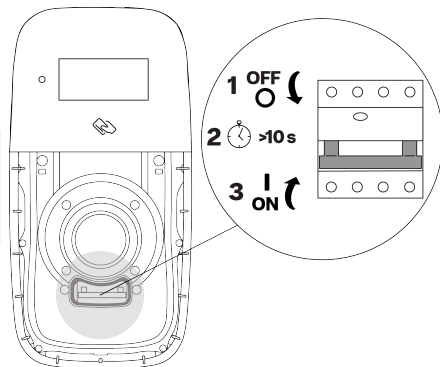


5. For å slå av og deretter på ladestasjonen, slå av RCBO, vent i ti sekunder, og slå deretter på RCBO igjen.

LED-ringene spinner hvitt for å indikere at ladestasjonen starter opp. Ladestasjonen er klar for å lade EV når LED-ringene viser jevnt grønt.

### **i** Merk

Type B RCBO-er er installert opp-ned i ladestasjonene. Hvis ladeanlegget har en Type B RCBO, er retningene for av og på omvendt.

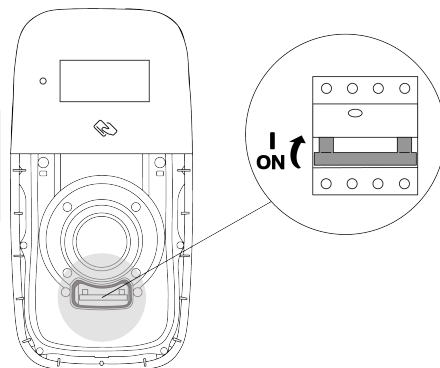


6. For en åpen RCBO, skyv RCBO-bryteren ned.

LED-ringene spinner hvitt for å indikere at ladestasjonen starter opp. Ladestasjonen er klar for å lade EV når LED-ringene viser konstant grønt.

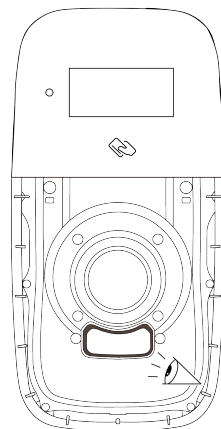
### **i** Merk

Type B RCBO-er er installert opp-ned i ladestasjonene. Hvis ladeanlegget har en Type B RCBO, er retningene for av og på omvendt.



NO

7. Kontroller at tetningen på det indre dekselet er ren og fri for skader.

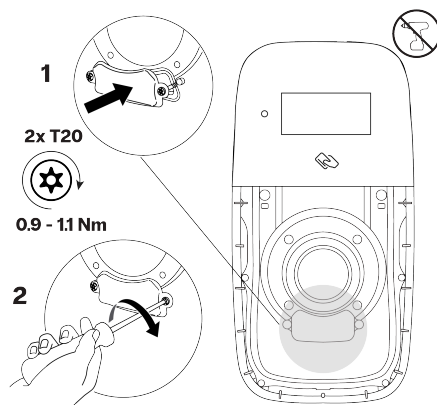


8. Installer RCBO-dekselet på det indre dekselet. Stram to Torx T20-sikrede skruer.

**⚠ ADVARSEL**

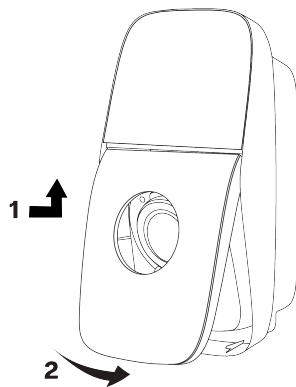
Bruk av elektrisk skrutrekker med høyt moment kan skade skruene og komponentene.

- Bruk kun en skrutrekker med lavt moment med korrekt momentinnstilling.



9. Installer det fremre dekselet som følger:

- a. Løsne den øvre kanten av frontdekselet under den nedre kanten av skjermdekselet, roter deretter dekselet ned for å justere det nedre skruerhullet.





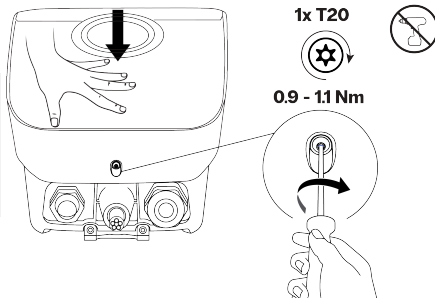
## 7. Driftsnedleggelse

- b. Skyv frontdekselet mot fjæren. Stram den Torx T20-sikrede skruen for å feste frontdekselet på ladestasjonen.

### ⚠ ADVARSEL



Bruk av elektrisk skrutrekker med høyt moment kan skade skruene og komponentene.

- Bruk kun en skrutrekker med lavt moment med korrekt momentinnstilling.



## 7. Driftsnedleggelse

Ta ladestasjonen ut av drift og resirkuler den i samsvar med gjeldende lokale avfallsforskrifter.

	Ikke kast denne ladestasjonen i husholdningsavfallet. Ladestasjonen skal i stedet deponeres på et lokalt innsamlingspunkt for elektriske/elektroniske enheter for å muliggjøre resirkulering og dermed unngå negative og farlige påvirkninger på miljøet. Spør kommunen eller de lokale myndighetene om de respektive adressene.
	Resirkulering av materialer sparer forbruk av råmaterialer og energi, og bidrar til å verne miljøet.



FR

Cet appareil et ses accessoires se recyclent

À DÉPOSER EN MAGASIN



À DÉPOSER EN DÉCHÈTERIE



OU

Points de collecte sur [www.quefairedemesdechets.fr](http://www.quefairedemesdechets.fr)  
Privilégiez la réparation ou le don de votre appareil !

## 8. Vedlegg

### 8.1. Ordliste

Forkortelse	Betydning
1P	1-faset strømforsyning (inngang og utgang). Stasjonseffekten vises på bunnen av stasjonen.
3P	3-faset strømforsyning (inngang og utgang). Stasjonseffekten vises på bunnen av stasjonen.
AC	Alternating Current (vekselstrøm).
CMP	Plattform for ladestyring (Charging Management Platform - CMP). Backend-plattformen som kobler en ladestasjon til CPO.
CPO	Charging Point Operator (ladepunktoperør). Eieren og/eller operatøren av ladestasjonsinstallasjonen.
DSO	Distribusjonssystemoperatør. Operatøren som er ansvarlig for det elektriske strømmettet.
ESD	Elektrostatisk utlading.
EV	Elektrisk kjøretøy.
IK	Slagbeskyttelse.
IP	Inntrengningsbeskyttelse.
RF	Radiofrekvenskommunikasjon.
LAN	Lokalt nettverk.
LED	Lysdiode.
MCB	Miniatyrsikring.
OCPP	Protokoll for åpne ladepunkter.
PE	Beskyttende jord.

Forkortelse	Betydning
RCBO	Reststrømbryter med overstrømsbeskyttelse.
RCD	Jordfeilbryter.

## 8.2. EU samsvarserklæring

EVBox B.V. erklærer at radioutstyrstype type EVBox Liviqo er i samsvar med direktiv 2014/53/EU. Den fulle teksten for EU samsvarserklæringen er tilgjengelig på [help.evbox.com](http://help.evbox.com).

Reguleringsinformasjon

Teknologi	Frekvensbånd	Maks. utgangseffekt
GSM 900	890 MHz - 915 MHz	27,77 dBm
GSM 1800	1710 MHz - 1785 MHz	24,77 dBm
LTE Bånd 3	1710 MHz - 1785 MHz	28,48 dBm
LTE Bånd 8	880 MHz - 915 MHz	28,48 dBm
LTE Bånd 20	832 MHz - 862 MHz	28,48 dBm
LTE Bånd 28	703 MHz - 748 MHz	28,48 dBm
WLAN (802.11b/g/n)	2412 MHz - 2484 MHz	16,79 dBm
WLAN (802.11a/n/ac)	5150 MHz - 5250 MHz	16,63 dBm
WLAN (802.11a/n/ac)	5725 MHz - 5850 MHz	11,46 dBm
RFID	13,56 MHz	19,00 dBm

NO

# EVBox Liviqo

## Cable



# Spis treści

1. Wprowadzenie	375
1.1. Zakres instrukcji	375
1.2. Symbole użyte w niniejszej instrukcji	375
1.3. Ikony użyte w niniejszej instrukcji	376
1.4. Certyfikacja i zgodność	376
2. Bezpieczeństwo	376
2.1. Środki ostrożności	376
2.2. Środki ostrożności związane z przenoszeniem i przechowywaniem	378
3. Cechy produktu	379
3.1. Opis	379
3.2. Specyfikacje techniczne	379
3.3. Dostarczone podzespoły	381
4. Instrukcja instalacji	381
4.1. Przygotowanie do instalacji	381
4.1.1. Planowanie instalacji	381
4.1.2. Wymagane narzędzia	383
4.1.3. Wymagania dotyczące zasilania	383
4.1.4. Opcjonalnie: dynamiczne równoważenie obciążenia	386
4.1.5. Opcjonalnie: grupowe równoważenie obciążenia	386
4.1.6. Dotyczy wyłącznie właściwych krajów: zdalne sterowanie zasilaniem przez DSO	388
4.2. Rozpakowanie	388
4.3. Instalacja wspornika ściennego i stacji ładowania	390
4.4. Podłączanie kabla zasilania	392
4.5. Komunikacja ze stacją ładowania	398
4.5.1. Prowadzenie kabli komunikacyjnych	399
4.5.2. Opcjonalnie: podłącz kabel Ethernet do połączenia z Internetem	400
4.5.3. Opcjonalnie: zainstaluj kartę SIM do połączenia z Internetem	401
4.5.4. Opcjonalnie: podłącz kabel do dynamicznego równoważenia obciążenia	402
4.5.5. Dotyczy wyłącznie właściwych krajów: podłączanie kabla zdalnego sterowania zasilaniem	402
4.5.6. Dokręcanie dławika kablowego	403
4.6. Montaż osłon stacji ładowania	404
4.7. Konfiguracja	408
4.7.1. Konfiguracja stacji ładowania	408
4.7.2. Opcjonalnie: uaktywnij stację ładowania na platformie CMP	409
4.7.3. Gotowość do użytkowania	409
5. Instrukcje użytkownika	409
5.1. Rozpoczynanie i kończenie sesji ładowania	409
5.2. Wskaźniki stanu	410
5.3. Konserwacja przez użytkownika	411
5.4. Logowanie do stacji ładowania	411
6. Rozwiązywanie problemów	412
6.1. Sygnalizacja błędów	412
6.2. Dostęp do wyłącznika RCBO	412
7. Demontaż	415
8. Załącznik	415
8.1. Słowniczek	415

PL

# 1. Wprowadzenie

Niniejsza Instrukcja instalacji i obsługi zawiera opis sposobu instalacji stacji ładowania i przygotowania jej do użytkowania. Przed rozpoczęciem wykonywania jakichkolwiek czynności należy dokładnie przeczytać informacje dotyczące bezpieczeństwa.

## 1.1. Zakres instrukcji

Niniejsza instrukcja instalacji i konfiguracji jest przeznaczona wyłącznie dla wykwalifikowanych instalatorów, którzy potrafią ocenić wykonywane prace i rozpoznać potencjalne zagrożenia.

Instrukcję obsługi przygotowano dla użytkowników stacji ładowania.

Całą dokumentację dostarczoną wraz ze stacją ładowania należy zachować w bezpiecznym miejscu przez cały okres eksploatacji produktu. Należy przekazać całą dokumentację kolejnym użytkownikom produktu.

Wszystkie instrukcje obsługi EVBox można pobrać z [evbox.com/manuals](http://evbox.com/manuals).

### Zastrzeżenie

Dokument ten sporządzono wyłącznie w celach informacyjnych i nie stanowi wiążącej oferty ani umowy z firmą EVBox. Firma EVBox opracowała niniejszy dokument na podstawie swojej najlepszej wiedzy. Firma nie udziela żadnej pośredniej lub bezpośredniej gwarancji na kompletność, dokładność, rzetelność lub przydatność do konkretnych celów w odniesieniu do przedstawionych tu produktów i usług. Specyfikacje i dane dotyczące wydajności zawierają średnie wartości w ramach istniejących tolerancji specyfikacji i podlegają zmianom bez uprzedniego powiadomienia. Firma EVBox wyraźnie odrzuca wszelką odpowiedzialność za szkody bezpośrednie lub pośrednie, w najszerszym sensie, wynikające z zastosowania niniejszego dokumentu lub z jego interpretacją bądź związane z nimi.

© EVBox. Wszelkie prawa zastrzeżone. Marka EVBox i logo EVBox są znakami towarowymi firmy EVBox B.V lub jednej z jej podmiotów stowarzyszonych. Żadnej części niniejszego dokumentu nie wolno zmieniać, powielać, przetwarzać ani rozprowadzać w jakiegokolwiek formie lub w jakikolwiek sposób bez wcześniejszej pisemnej zgody firmy EVBox.

EVBox Manufacturing B.V.

Kabelweg 47

1014 BA Amsterdam

Holandia

[help.evbox.com](http://help.evbox.com)

## 1.2. Symbole użyte w niniejszej instrukcji

### Symbole użyte w niniejszej instrukcji

#### NIEBEZPIECZEŃSTWO

Wskazuje na sytuację bezpośredniego zagrożenia o wysokim stopniu ryzyka, która, jeśli nie uda się jej uniknąć, może spowodować śmierć lub poważne obrażenia.

#### OSTRZEŻENIE

Wskazuje potencjalnie niebezpieczną sytuację o umiarkowanym poziomie ryzyka, która w przypadku zignorowania ostrzeżenia może spowodować śmierć lub poważne obrażenia.

#### UWAGA

Wskazuje potencjalnie niebezpieczną sytuację o średnim poziomie ryzyka, która w przypadku zignorowania przestrogi może spowodować niewielkie lub umiarkowane obrażenia bądź uszkodzenie sprzętu.

#### Uwaga

Uwagi zawierają pomocne wskazówki lub odniesienia do informacji nieujętych w niniejszej instrukcji.

1. a. lub i. Czynności, które należy wykonać w podanej kolejności.

### 1.3. Ikony użyte w niniejszej instrukcji



Wybierz jedną funkcję



Instalator



Użytkownik



Kontrola wzrokowa



Używaj tylko w suchym miejscu



Nie używaj wkrętkarki



Zasilanie prądem przemiennym

### 1.4. Certyfikacja i zgodność

	Stacja ładowania ma certyfikat CE producenta i nosi znak CE. Deklarację zgodności można uzyskać od producenta.
	Urządzenia elektryczne i elektroniczne, w tym akcesoria, należy utylizować oddzielnie od codziennych odpadów domowych.
	Recykling materiałów pozwala zaoszczędzić surowce i energię, a także w znacznym stopniu przyczynia się do ochrony środowiska.



Points de collecte sur [www.quefairedemesdechets.fr](http://www.quefairedemesdechets.fr)  
Privilégiez la réparation ou le don de votre appareil !

#### Uwaga

Deklarację zgodności tego produktu można znaleźć w sekcji [Deklaracja zgodności UE na stronie 416](#).

## 2. Bezpieczeństwo

### 2.1. Środki ostrożności

#### NIEBEZPIECZEŃSTWO

Nieprzestrzeżenie wskazówek dotyczących instalacji i użytkowania zawartych w niniejszej instrukcji grozi porażeniem prądem elektrycznym, które może spowodować poważne obrażenia lub śmierć.

- Przed instalacją lub rozpoczęciem użytkowania stacji ładowania należy przeczytać niniejszą instrukcję.

#### NIEBEZPIECZEŃSTWO

Instalowanie, serwisowanie, naprawianie lub przenoszenie tej stacji ładowania przez niewykwalifikowaną osobę grozi porażeniem prądem elektrycznym, które może spowodować poważne obrażenia lub śmierć.

- Instalację, serwis, naprawę i przenoszenie stacji ładowania może wykonać wyłącznie wykwalifikowany elektryk.
- Użytkownik nie może podejmować prób serwisowania lub naprawy stacji ładowania, ponieważ nie zawiera ona części, które mogą być przez niego serwisowane.
- W zależności od regionu lub kraju użytkowania mogą obowiązywać różne miejscowe przepisy. Obowiązek instalacji stacji ładowania zgodnie z lokalnymi przepisami spoczywa na wykwalifikowanym elektryku.

#### NIEBEZPIECZEŃSTWO

Prace przy instalacjach elektrycznych bez zachowania właściwych środków bezpieczeństwa stwarzają zagrożenie porażeniem elektrycznym, które może skutkować poważnymi obrażeniami lub śmiercią.

- Przed instalacją stacji ładowania wyłącz zasilanie wejściowe.
- Nie włączaj stacji ładowania, jeżeli nie jest całkowicie zainstalowana lub zabezpieczona.
- Nie instaluj stacji ładowania, jeśli jest uszkodzona lub ma widoczną usterkę.



### NIEBEZPIECZEŃSTWO

Nadmierne narażenie stacji ładowania na działanie wody grozi porażeniem prądem elektrycznym powodującym poważne obrażenia ciała lub śmierć.

- Nie kieruj silnych strumieni wody w kierunku stacji ładowania lub na nią.
- Nie wkładaj wtyczki ładowania do jakiegokolwiek cieczy.

### NIEBEZPIECZEŃSTWO

Eksploatacja stacji ładowania, która uległa uszkodzeniu lub zużyciu, grozi porażeniem prądem elektrycznym powodującym poważne obrażenia ciała lub śmierć.

- Nie wolno eksploatować stacji ładowania, jeśli źródło zasilania, obudowa lub wtyczka pojazdu elektrycznego są uszkodzone, spękane, otwarte lub widoczne są na nich inne uszkodzenia.
- Nie wolno eksploatować stacji ładowania, jeśli kabel ładowania jest postrzępiony, ma uszkodzoną izolację lub inne widoczne usterki.
- W przypadku zagrożenia i/lub wypadku należy natychmiast zlecić odłączenie zasilania elektrycznego od stacji ładowania.
- W razie podejrzenia, że stacja ładowania jest uszkodzona, należy skontaktować się z instalatorem.

### OSTRZEŻENIE

Instalowanie stacji ładowania w wilgotnym środowisku (np. podczas opadów deszczu lub mgły) grozi porażeniem prądem elektrycznym i zniszczeniem produktu, co może prowadzić do poważnych obrażeń lub śmierci.

- Nie instaluj ani nie otwieraj stacji ładowania w wilgotnym środowisku (np. podczas opadów deszczu lub mgły).

### OSTRZEŻENIE

Niewłaściwe korzystanie ze stacji ładowania powoduje zagrożenie porażeniem prądem, które grozi obrażeniami ciała lub śmiercią.

- Przed rozpoczęciem ładowania upewnij się, czy obszar styku wtyczki ładowania nie jest zanieczyszczony ani wilgotny.
- Upewnij się, że sposób ułożenia kabla ładowania wyklucza ryzyko nadeptnięcia na niego, potknięcia się o niego, przejechania po nim oraz inne formy oddziaływania znaczącej siły lub uszkodzenia. Tam gdzie ma to zastosowanie, upewnij się, że kabel ładowania jest poprawnie schowany w czasie, gdy nie jest używany, i pamiętaj, że wtyczka ładowania nie powinna dotykać podłoża.
- Nigdy nie odłączaj wtyczki, ciągnąc za kabel.
- Trzymaj stację ładowania, kabel ładowania oraz wtyczkę ładowania z dala od źródeł ciepła, brudu i wody.
- Nie używaj substancji wybuchowych ani łatwopalnych w pobliżu stacji ładowania.

### OSTRZEŻENIE

Stosowanie adapterów, adapterów konwersyjnych lub przedłużaczy ze stacją ładowania może prowadzić do niezgodności technicznych i spowodować uszkodzenie stacji ładowania, a w konsekwencji ryzyko obrażeń lub śmierci.

- Tej stacji ładowania należy używać wyłącznie do ładowania pojazdów elektrycznych. Szczegółowe informacje na ten temat znajdują się w specyfikacji stacji ładowania zamieszczonej w podręczniku instalacji.
- Aby sprawdzić, czy pojazd jest kompatybilny, należy zapoznać się z jego instrukcją obsługi.

### OSTRZEŻENIE

Narażenie stacji ładowania lub kabla ładowania na działanie ciepła lub substancji łatwopalnych może spowodować uszkodzenie stacji ładowania, a w konsekwencji ryzyko obrażeń lub śmierci.

- Stacja ładowania i kabel ładowania nigdy nie powinny być bezpośrednio narażone na działanie ciepła.
- Nie używaj substancji wybuchowych ani łatwopalnych w pobliżu stacji ładowania.

### OSTRZEŻENIE

Korzystanie ze stacji ładowania w warunkach niezgodnych z niniejszą instrukcją może spowodować uszkodzenie stacji ładowania, a w konsekwencji obrażenia ciała lub śmierć.

- Stacji ładowania należy używać wyłącznie w warunkach eksploatacji określonych w niniejszej instrukcji.

**⚠ OSTRZEŻENIE**

Wykonywanie prac przy instalacjach elektrycznych bez korzystania z odpowiednich środków ochrony indywidualnej stwarza zagrożenie obrażeniami ciała.

- Stosuj środki ochrony indywidualnej, takie jak okulary ochronne, rękawice odporne na przecięcia i obuwie z podeszwami antypoślizgowymi, aby zapobiec obrażeniom ciała.

**⚠ OSTRZEŻENIE**

W razie pożaru nieprzestrzeganie instrukcji pożarowych może zwiększyć niebezpieczeństwo, a w konsekwencji spowodować obrażenia ciała lub śmierć.

- Gdy będzie to bezpieczne, zleć odłączenie urządzeń palących się lub narażonych na działanie ognia od zasilania elektrycznego.
- Do gaszenia instalacji elektrycznych i urządzeń znajdujących się pod napięciem nie należy używać wody.
- Do gaszenia stacji ładowania należy używać gaśnicy przeznaczanej do urządzeń o napięciu znamionowym do 1 kV.

**⚠ UWAGA**

Ładowanie pojazdu elektrycznego za pomocą kabla ładującego, który jest częściowo zwinięty, może spowodować przegrzanie kabla i uszkodzenie stacji ładowania.

- Przed podłączeniem kabla ładującego do samochodu należy całkowicie rozwinąć kabel tak, aby nie było na nim żadnych pętli.

**⚠ UWAGA**

Wkładanie palców do gniazda wtykowego lub pozostawienie w nim innych przedmiotów (np. podczas czyszczenia) może spowodować obrażenia ciała lub uszkodzenie stacji ładowania.

- Nie wkładaj palców do gniazda wtykowego.
- Nie pozostawiaj przedmiotów w gnieździe wtykowym.

**⚠ UWAGA**

Ignorowanie środków ostrożności zapobiegających wyładowaniom elektrostatycznym (ESD) może spowodować uszkodzenie części elektronicznych stacji ładowania.

- Przed dotknięciem elementów elektronicznych należy podjąć niezbędne środki ostrożności zapobiegające wyładowaniom elektrostatycznym.

**⚠ UWAGA**

Wyłączenie możliwości aktualizacji oprogramowania sprzętowego tej stacji ładowania lub wyłączenie możliwości, rezygnacja z aktualizacji lub inne zaniechanie instalacji dostępnych aktualizacji oprogramowania sprzętowego może spowodować wystąpienie problemów podczas pracy stacji ładowania, działanie wadliwe oraz większe narażenie na ryzyka związane z bezpieczeństwem.

## 2.2. Środki ostrożności związane z przenoszeniem i przechowywaniem

Podczas przenoszenia i przechowywania stacji ładowania należy postępować zgodnie z następującymi wytycznymi:

- Nigdy nie podnosić stacji ładowania, ciągnąc ją za kabel ładowania.
- Przed usunięciem stacji ładowania w celu jej schowania lub przeniesienia w inne miejsce należy odłączyć zasilanie wejściowe.
- Stację ładowania można transportować i przechowywać wyłącznie w oryginalnym opakowaniu. Nie ponosimy odpowiedzialności za szkody powstałe podczas transportu produktu w niestandardowych opakowaniach.
- Stację ładowania przechowywać w suchym otoczeniu o temperaturze i wilgotności, które określono w specyfikacji technicznej (patrz [Specyfikacje techniczne na stronie 379](#)).

## 3. Cechy produktu

### 3.1. Opis

#### 1. Stacja ładowania

Stacja ładowania służy do bezpiecznego przekazywania energii elektrycznej z sieci do pojazdu elektrycznego (EV).

#### 2. Wyświetlacz

Wyświetlacz wskazuje kolejne czynności, które musi wykonać użytkownik, a także informacje na temat sesji ładowania.

#### 3. Czujnik światła i czujnik zbliżeniowy

Czujnik światła mierzy natężenie oświetlenia w celu automatycznej regulacji jasności wyświetlacza i pierścienia LED. Czujnik zbliżeniowy włącza wyświetlacz, gdy ktoś znajduje się blisko stacji ładowania.

#### 4. Czytnik RFID

W tym miejscu można zeskanować kartę ładowania lub brelok, aby rozpocząć lub zatrzymać sesję ładowania.

#### 5. Pierścień LED

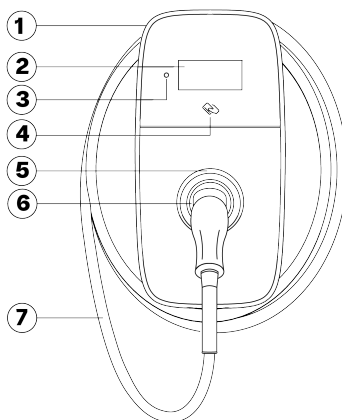
Pierścień LED wskazuje status stacji ładowania.

#### 6. Uchwyt

Uchwyt przytrzymuje wtyczkę kabla ładowania, gdy nie jest używany.

#### 7. Kabel ładowania

Kabel ładowania łączy stację ładowania z pojazdem elektrycznym. Nieużywany kabel ładowania jest schowany w stacji.



### 3.2. Specyfikacje techniczne

Właściwość	Opis
<b>Właściwości elektryczne</b>	
Maksymalna moc ładowania	Do 22 kW (3 fazy, 32 A) <b>i Uwaga</b> Może występować obniżenie wartości znamionowych. Moc ładowania zależy od czynników, takich jak pobór energii przez pojazd elektryczny, dostępne źródło zasilania i temperatura otoczenia.
Tryb ładowania	Tryb 3 (IEC 61851-1)
Kabel ładowania zamocowany na stałe	Wtyk typu 2 (IEC 62196-1, IEC 62196-2)
Długość kabla ładowania	6 m
licznik kWh	Zatwierdzony przez MID z dokładnością klasy B (EN-50470) Licznik zgodny z Eichrecht <sup>(1)</sup>
Prąd wejściowy	Konfigurowalny od 6 A do 32 A 1 faza, 230 V ±10%, maks. 32 A ±6%, 50/60 Hz 3 fazy, 400 V ±10%, maks. 32 A ±6%, 50/60 Hz
Średnica osłony kabla zasilania	od 12 do 25 mm

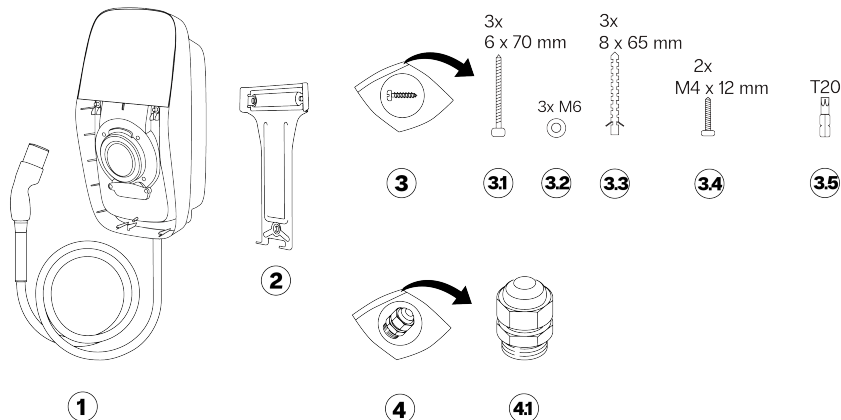
Właściwość	Opis
Grubość przewodu kabla zasilania	Przewód jednodrutowy: maks. 16 mm <sup>2</sup> Przewód pleciony z nasadką (bez plastikowej tulejki): maks. 10 mm <sup>2</sup>
Znamionowe napięcie udarowe wytrzymywane ( <i>U<sub>imp</sub></i> )	4000 V
Znamionowe napięcie izolacji ( <i>U<sub>i</sub></i> )	250 V AC (faza do masy) 450 V AC (faza do fazy)
Wykrywanie prądu upływu	Czas zadziałania i wartości graniczne są zgodne z normą IEC 61851-1:2017 kl. 8.5. (według IEC 62955:2018, tabela 2). Patrz <a href="#">Wymagania dotyczące zasilania na stronie 383</a> . RCBO: typ A lub typ B
<b>Środowisko i stopień ochrony</b>	
Zakres temperatury roboczej	od -30 °C do +50 °C
Zakres temperatury przechowywania	od -40 °C do +80 °C
Wilgotność (bez kondensacji)	od 5% do 95%
Maks. wysokość instalacji	2000 m n.p.m.
Przepisy dotyczące obudowy	IP55 (IEC 60529), IK10 (IEC 62262)
Stopień ochrony	Stopień ochrony I i kategoria przepięcia III
Stopień zanieczyszczenia makrośrodowiska	Stopień zanieczyszczenia 3
Klasyfikacja kompatybilności elektromagnetycznej (EMC)	Środowisko A i Środowisko B (zgodnie z IEC 61439-1)
Odporność mechaniczna do montażu stacjonarnego	Wysoka odporność
<b>Łączność</b>	
Autoryzacja	Czytnik RFID lub w aplikacji
Wi-Fi	2,4/5 GHz
Sieć lokalna	Ethernet
Komunikacja komórkowa	4G LTE-M (awaryjne wsparcie dla 2G)
Protokół komunikacyjny	OCPP 2.0.1
Właściwości inteligentnego ładowania	Dynamiczne równoważenie obciążenia, grupowe równoważenie obciążenia, zgodność z EEBus, ISO 15118 (gotowość sprzętowa)
<b>Właściwości fizyczne</b>	
Wymiary (szer. × wys. × gł.)	256 × 508 × 211 mm
Masa	Okolo 8,4 kg
Materiał obudowy	Niskoemisyjny Makrolon® RE
HMI	5" 800 × 480 WVGA IPS LCD, pierścieni LED, dzwonek, autoryzacja
<b>Certyfikacja i zgodność</b>	
Wejście zasilające	Urządzenie zasilające do pojazdów elektrycznych podłączone na stałe do sieci zasilającej prądu przemiennego
Wyjście zasilania	Urządzenie zasilające do pojazdów elektrycznych podłączone do sieci zasilającej prądu przemiennego
Normalne warunki zewnętrzne	Użytek wewnętrzny i zewnętrzny
Dostęp	Urządzenie do stosowania w miejscach ogólnodostępnych

Właściwość	Opis
Typ urządzenia	Urządzenie stacjonarne do montażu na ścianie lub na słupie

<sup>(1)</sup>Opcja.

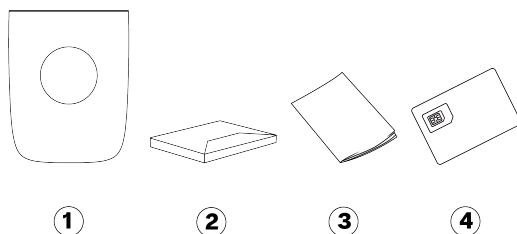
### 3.3. Dostarczone podzespoły

#### Podzespoły w pudełku ze stacją ładowania



- |     |  |     |  |
|-----|--|-----|--|
| 1   | Stacja ładowania z kablem ładowania    | 3.3 | Kołki rozporowe 8 × 65 mm, 3 szt.                |
| 2   | Uchwyt ścienny                         | 3.4 | Śruby M4 × 12 mm, T20, 2 szt.                    |
| 3   | Zestaw montażowy                       | 3.5 | Bit Torx T20 z zabezpieczeniem                   |
| 3.1 | Śruby do panelu 6 × 70 mm, T20, 3 szt. | 4   | Zestaw dławika kablowego                         |
| 3.2 | Podkładki M6, 3 szt.                   | 4.1 | Dławik kablowy, 12–20 mm, z uszczelką i zaślepką |

#### Podzespoły w pudełku z pokrywą



- |   |                          |   |                                 |
|---|--------------------------|---|---------------------------------|
| 1 | Przednia osłona          | 3 | Instrukcja instalacji i obsługi |
| 2 | Pakiet powitalny (opcja) | 4 | Karta SIM (opcja)               |

## 4. Instrukcja instalacji

### 4.1. Przygotowanie do instalacji

#### 4.1.1. Planowanie instalacji

Poniższe zalecenia ułatwią zaplanowanie instalacji stacji ładowania.

#### Wybór miejsca

- Jeśli to możliwe, umieść stację ładowania w miejscu, w którym nie będzie wystawiona na bezpośrednie światło słoneczne lub narażona na uszkodzenia zewnętrzne.

- Ściana musi być płaska i być w stanie utrzymać obciążenie na poziomie co najmniej 100 kg.
- Minimalna wolna przestrzeń wokół stacji ładowania wynosi 300 mm.
- Położenie stacji nie może powodować ostrego załamywania się kabla ładowania.
- Kabel zasilania może być doprowadzony do stacji od góry lub od spodu. Dolne wejście kablowe A można zastosować w dowolnym miejscu. Górne wejście kablowe B wolno stosować tylko w miejscu, gdzie nie ma ryzyka narażenia na deszcz lub wilgoć.

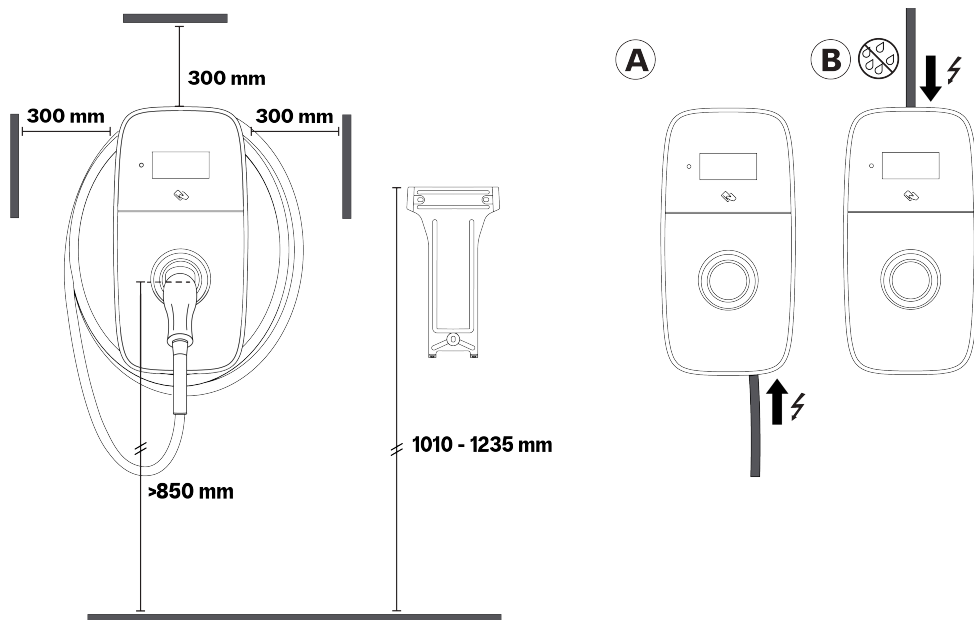
#### ⚠ UWAGA

Zastosowanie górnego wejścia kablowego B na zewnątrz grozi przenikaniem wody do środka. Przed dłuższy czas deszcz i wilgoć mogą przedostawać się do stacji ładowania po kablu zasilania, co może doprowadzić do uszkodzenia stacji ładowania.

- Wejście na kabel komunikacji znajduje się wyłącznie na spodzie stacji ładowania.

#### 📌 Uwaga

Na poniższej ilustracji przedstawiono minimalną zalecaną wysokość montażową. Należy zapoznać się z miejscowymi przepisami dotyczącymi dostępności i przestrzegać ich.



### Przedinstalacyjna lista kontrolna

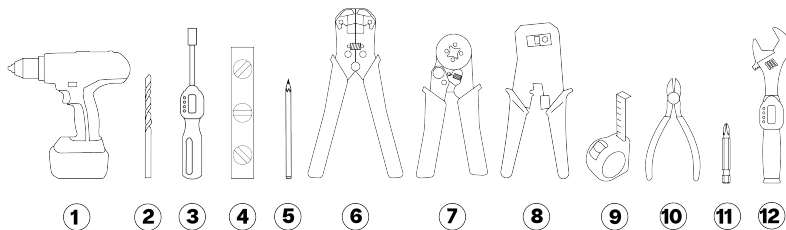
Przed przystąpieniem do instalacji stacji ładowania należy sprawdzić następujące kwestie:

- Instalacja będzie przebiegać zgodnie z normą IEC 60364 i wszystkimi obowiązującymi przepisami lokalnymi.
- Uzyskano wszystkie niezbędne zezwolenia od lokalnych władz.
- Istniejące obciążenie elektryczne zostało obliczone, aby ustalić maksymalny prąd roboczy dla instalacji stacji ładowania.
- W przypadku stacji ładowania bez RCBO przed urządzeniem zainstalowano wyłącznik nadprądowy (MCB) i wyłącznik różnicowoprądowy (RCD) o zalecanych wartościach znamionowych. Patrz [Wymagania dotyczące zasilania na stronie 383](#).
- Kabel zasilania o właściwej specyfikacji został doprowadzony do miejsca instalacji i zapewniono jego wystarczającą długość do zdjęcia izolacji i podłączenia przewodów.
- Tolerancja kabla zasilania na zginanie nie zostanie przekroczona w trakcie instalacji i po niej.
- Zalecane narzędzia są dostępne na miejscu. Patrz [Wymagane narzędzia na stronie 383](#).
- Kołki, śruby i wiertła użyte do zainstalowania stacji ładowania są odpowiednio do struktury ściany.
- W przypadku korzystania z konfiguracji grupowej planowana jest odpowiednia kolejność faz, a wymagania

## 4. Instrukcja instalacji

są spełnione. Patrz [Opcjonalnie: grupowe równoważenie obciążenia na stronie 386](#).

### 4.1.2. Wymagane narzędzia



1. Wiertarka
2. Wiertło 8 mm do betonu
3. Dynamometryczny wkrętak magnetyczny z uchwytem na końcówki od 0,5 Nm do 3 Nm
4. Poziomica
5. Ołówek
6. Narzędzie do usuwania izolacji (kabel zasilania)
7. Zaciskarka do nasadek
8. Ściągacz izolacji i zaciskarka (RJ45)
9. Taśma miernicza
10. Nożyce do drutu
11. Bit do śrubokręta, PH2
12. Klucz dynamometryczny, od 3 Nm do 6 Nm

### 4.1.3. Wymagania dotyczące zasilania

#### **⚠ NIEBEZPIECZEŃSTWO**

Podłączenie stacji ładowania do zasilania w sposób inny niż opisany w niniejszym rozdziale może spowodować niekompatybilność instalacji i grozi porażeniem prądem elektrycznym, które spowoduje uszkodzenie stacji ładowania oraz obrażenia ciała lub śmierć.

- Stację ładowania należy podłączać wyłącznie w konfiguracji określonej w niniejszym rozdziale.

Instalacja uziemienia	Układy TN-S i TNC-S	Kabel PE.
	System TT System IT	Uziom, zainstalowany oddzielnie (instalacja samodzielna).
Zasilanie (faza)	Jednofazowe	230 V $\pm 10\%$ , maks. 32 A $\pm 6\%$ , 50/60 Hz.
	Trójfazowe	400 V $\pm 10\%$ , maks. 32 A $\pm 6\%$ , 50/60 Hz.
Wyłącznik nadprądowy (MCB)	<ul style="list-style-type: none"><li>• Charakterystyka zadziałania: typ C.</li><li>• Prąd załączenia MCB może się zmniejszać, gdy temperatura otoczenia w szafce zasilania będzie wysoka. Wybierając specyfikacje MCB, należy rozważyć potencjalnie wyższą temperaturę otoczenia.</li><li>• Niewymagany w przypadku stacji z wbudowanym RCBO.</li></ul> <p><b>i Uwaga</b></p> <ul style="list-style-type: none"><li>• Instalację, w tym instalację MCB, należy wykonać zgodnie z normą IEC 60364 i wszystkimi obowiązującymi przepisami lokalnymi.</li><li>• Wyłącznik MCB musi być zgodny z ustawieniami natężenia prądu stacji ładowania i dostępnym dla niej prądem maksymalnym, zgodnie ze specyfikacją producenta MCB.</li><li>• Maksymalna wartość I<sup>2</sup>t MCB nie może przekraczać 75 000 A<sup>2</sup>s.</li></ul>	

<p>Wyłącznik różnicowoprądowy (RCD)</p>	<ul style="list-style-type: none"> <li>• Zakres natężenia prądu RCD: wartość znamionowa musi być zgodna z natężeniem prądu stacji ładowania.</li> <li>• Instalacje standardowe:             <ul style="list-style-type: none"> <li>◦ W przypadku Francji należy używać jedynie wyłącznika RCD typu B z prądem znamionowym 20 A lub 40 A oraz detektorem prądu upływowego maks. 30 mA AC.</li> <li>◦ W przypadku innych krajów należy używać jedynie wyłącznika RCD typu A, F lub B z prądem znamionowym 20 A, 32 A lub 40 A oraz detektorem prądu upływowego maks. 30 mA AC.</li> </ul> </li> <li>• Instalacje EV Ready: tylko wyłącznik RCD typu A+ o wysokiej odporności (np. HPI, SI, HI, KV itp., w zależności od producenta RCD).</li> <li>• Niewymagany w przypadku stacji z wbudowanym RCBO.</li> </ul> <p><b>Uwaga</b></p> <ul style="list-style-type: none"> <li>• Instalację, w tym instalację RCD, należy wykonać zgodnie z normą IEC 60364 i wszystkimi obowiązującymi przepisami lokalnymi.</li> <li>• Stacja ładowania wyposażona jest w wewnętrzny detektor prądu upływowego DC o czasie zadziałania i wartościach granicznych zgodnych z normą IEC 61851-1:2017 kl. 8.5. (według IEC 62955:2018, tabela 2).</li> </ul>
---	--

### Okablowanie zasilające

W poniższych tabelach podano sposoby podłączenia zasilania do stacji ładowania, w zależności od rodzaju zasilania oraz konfiguracji stacji ładowania.

#### **OSTRZEŻENIE**

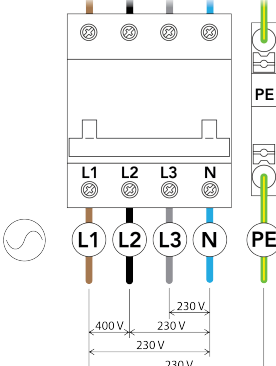
Podłączenie zasilania w konfiguracji IT (bez przewodu neutralnego) do wbudowanego wyłącznika RCBO typu A może doprowadzić do uszkodzenia stacji ładowania, a w konsekwencji do obrażeń lub śmierci.

- Do wbudowanego wyłącznika RCBO typu A podłączać wyłącznie zasilanie 3-fazowe w konfiguracji TN lub TT (z przewodem neutralnym).

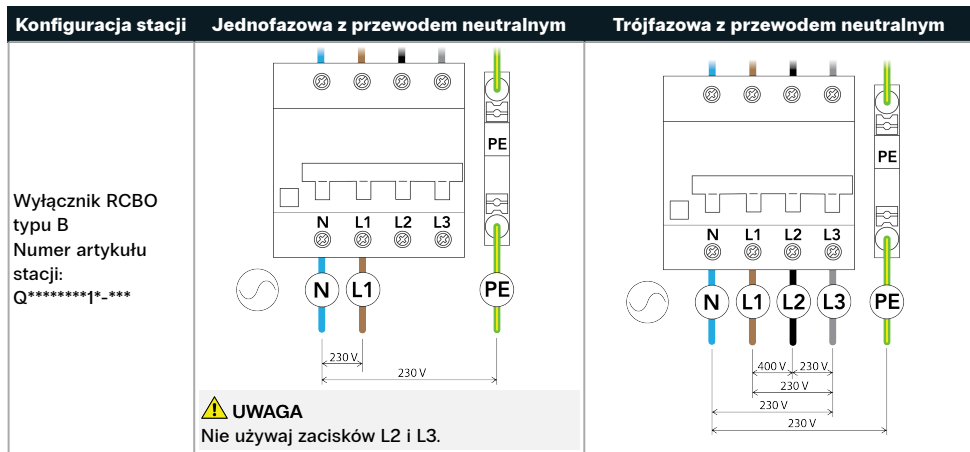
### Zasilanie TN i TT do RCBO

#### **Uwaga**

Ta część dotyczy tylko stacji z wbudowanym wyłącznikiem RCBO.

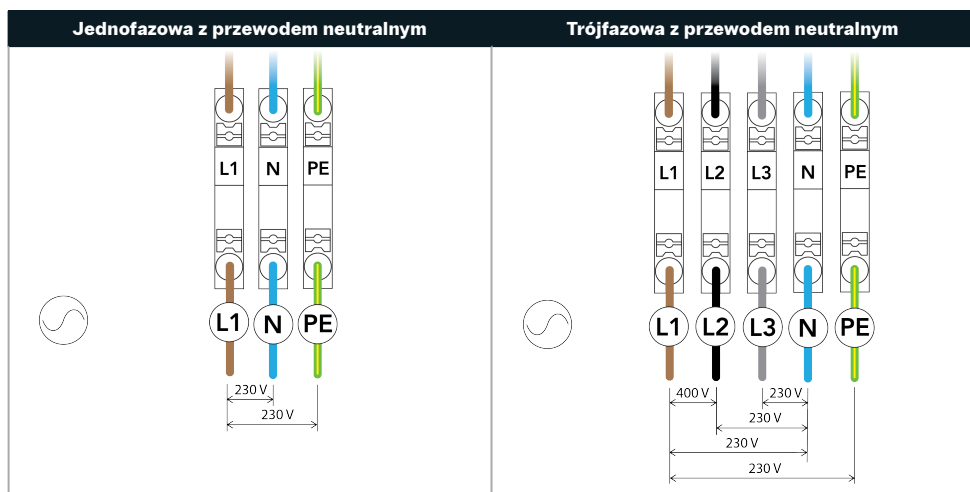
Konfiguracja stacji	Jednofazowa z przewodem neutralnym	Trójfazowa z przewodem neutralnym
<p>Wyłącznik RCBO typu A Numer artykułu stacji: Q*****8*..***</p>	<p><b>UWAGA</b> Nieobsługiwane. Nie podłączać zasilania jednofazowego do stacji z instalacją trójfazową oraz przewodem neutralnym i wyłącznikiem RCBO.</p>	





Zasilanie TN i TT

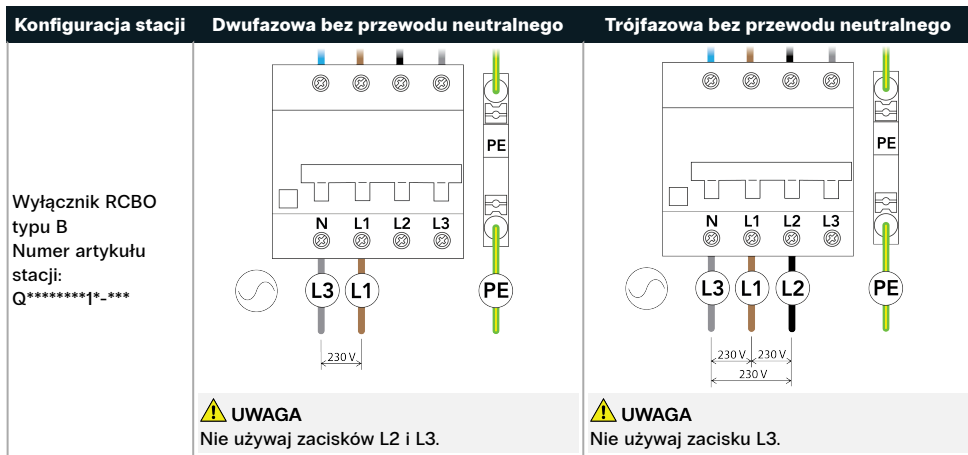
**i** Uwaga  
Ta część dotyczy tylko stacji bez wbudowanego wyłącznika RCBO.



Zasilanie IT (bez przewodu neutralnego) do RCBO

**UWAGA**  
Upewnij się, że miejscowe przepisy dopuszczają instalację tej stacji ładowania w sieci IT bez przewodu neutralnego. Upewnij się, że pojazd elektryczny jest kompatybilny z tym typem instalacji.

**i** Uwaga  
Ta część dotyczy tylko stacji z wbudowanym wyłącznikiem RCBO.



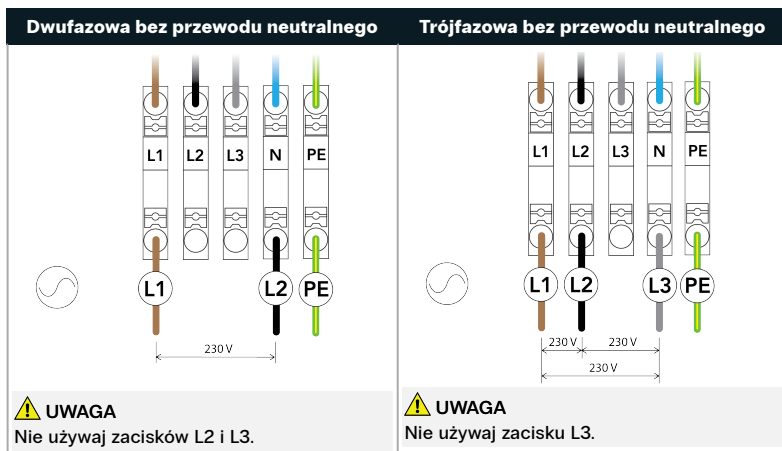
### Zasilanie IT (bez przewodu neutralnego)

#### **UWAGA**

Upewnij się, że miejscowe przepisy dopuszczają instalację tej stacji ładowania w sieci IT bez przewodu neutralnego. Upewnij się, że pojazd elektryczny jest kompatybilny z tym typem instalacji.

#### **Uwaga**

Ta część dotyczy tylko stacji bez wbudowanego wyłącznika RCBO.



### 4.14. Opcjonalnie: dynamiczne równoważenie obciążenia

Dynamiczne równoważenie obciążenia monitoruje zużycie energii przez wszystkie odbiorniki elektryczne korzystające z tego samego źródła zasilania. dostarcza sygnał sterujący do stacji ładowania w celu regulowania mocy przekazywanej ze stacji do pojazdu elektrycznego, co umożliwi bezpieczne równoważenie całkowitego zużycia mocy z danego źródła w ramach ustawionych wstępnie limitów. W instalacji grupowej stacja ładowania podłączona reguluje pracę pozostałych stacji ładowania podłączonych do grupy.

Dynamiczne równoważenie obciążeń wymaga przewodowego podłączenia układu wykrywania równoważenia obciążenia (patrz [Komunikacja ze stacją ładowania na stronie 398](#)).

### 4.15. Opcjonalnie: grupowe równoważenie obciążenia

Instalacja grupowego równoważenia obciążenia składa się z kilku stacji ładowania połączonych w grupę. Grupa

## 4. Instrukcja instalacji

umożliwia utworzenie sieci inteligentnej w ramach całej grupy, co pozwala na optymalizację zużycia energii. Każda ze stacji może służyć za stację podłączoną w grupie. Grupę konfiguruje się za pomocą aplikacji EVBox Install App. Poprawne zrównoważenie obciążenia wymaga podłączenia grupy do jednego obwodu zasilania. Grupowe zrównoważenie obciążenia wymaga, aby każda stacja w klastrze była połączona z tą samą siecią lokalną (LAN) przy użyciu łącza Ethernet (patrz [Komunikacja ze stacją ładowania na stronie 398](#)).

### Wymagania dotyczące grupowego zrównoważenia obciążenia

Przełącznik Ethernet	<ul style="list-style-type: none"><li>• Obsługa IPv6</li><li>• Niezarządzany</li><li>• Liczba portów: liczba portów musi być równa lub większa od liczby ładowarek podłączonych do klastra.</li><li>• Port RJ45</li><li>• 100 Mbps lub wyższa</li><li>• Multiemisja statyczna: wyłączona</li><li>• Multiemisja dynamiczna (MLD snooping): wyłączona</li></ul> <p><b>i Uwaga</b></p> <ul style="list-style-type: none"><li>◦ W przypadku dużych grup można połączyć dwa lub więcej przełączników w tej samej sieci.</li><li>◦ Dodatkowy port jest wymagany, jeśli przełącznik jest używany do połączenia z Internetem.</li></ul>
Kable	<ul style="list-style-type: none"><li>• CAT5</li><li>• Długość: 100 m maksymalnej długości dla każdego węzła grupy</li></ul>

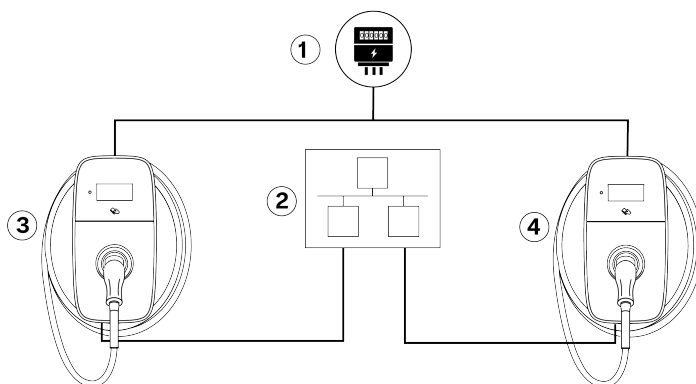
PL

### Schemat połączeń elektrycznych

Poniższy schemat opisuje sposób łączenia wielu stacji ładowania w grupę.

#### **i Uwaga**

Schemat nie obejmuje połączenia internetowego stacji ładowania. Połączenie internetowe stacji ładującej można skonfigurować za pomocą sieci komórkowej, Wi-Fi lub Ethernet.



- |                         |                         |
|-------------------------|-------------------------|
| 1. Zasilanie            | 3. Ładowarka sieciowa 1 |
| 2. Przełącznik Ethernet | 4. Ładowarka sieciowa N |

### Rotacja faz

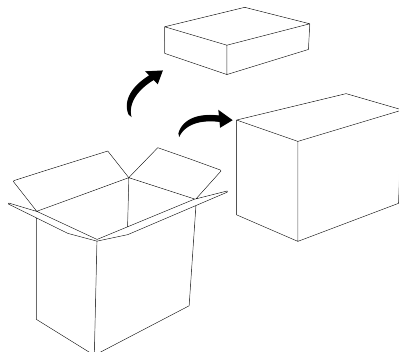
Aby uniknąć przeciążenia pierwszej fazy przez jednofazowe pojazdy elektryczne, kolejność faz dla każdej stacji ładowania podłączonej do zasilania 3-fazowego w instalacji Power-Sharing musi być skonfigurowana za pomocą EVBox Install App.

#### 4.1.6. Dotyczy wyłącznie właściwych krajów: zdalne sterowanie zasilaniem przez DSO

Zgodnie z Zasadami technicznymi podłączenia VDE-AR-N-4100:2019-04 Cl. 10.6.4 stacja ładowania o całkowitej mocy znamionowej przekraczającej 12 kVA musi dysponować złączem zdalnego sterowania zasilaniem, aby umożliwić zdalne wyłączenie stacji przez Operatora stacji dystrybucyjnej (DSO). Tę stację ładowania można podłączać za pomocą kabla do urządzenia DSO znajdującego się dalej wyposażonego w przełącznik zwrotny (NO). Po zamknięciu przełącznika stacja przechodzi w stan zawieszenia i ładowanie zostaje wstrzymane. Ładowanie zostanie wznowione po otworzeniu się przełącznika. Instrukcje podłączania kabla znajdują się w części [Dotyczy wyłącznie właściwych krajów: podłączanie kabla zdalnego sterowania zasilaniem na stronie 402](#). Rejestracja w DSO jest wymagana.

## 4.2. Rozpakowanie

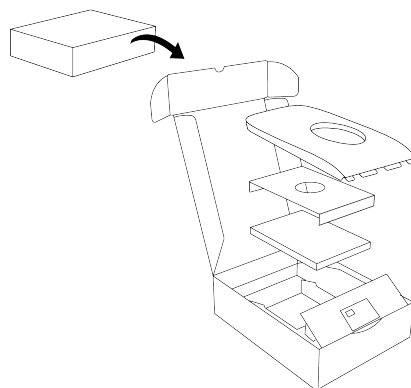
1. Otwórz opakowanie transportowe. Wyjmij pudełko z osłoną i pudełko ze stacją ładowania.



2. Otwórz pudełko z osłoną. Odszukaj osłonę przednią, pakiet powitalny (opcja), dokumentację stacji ładowania oraz kartę SIM (opcja).

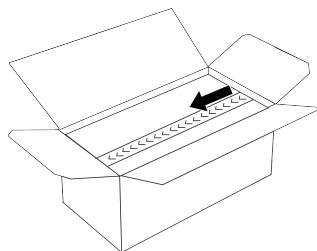
### **i** Uwaga

Aby zapobiec uszkodzeniu, pozostaw pokrywę przednią w opakowaniu do czasu montażu.



#### 4. Instrukcja instalacji

3. Otwórz pudełko ze stacją.

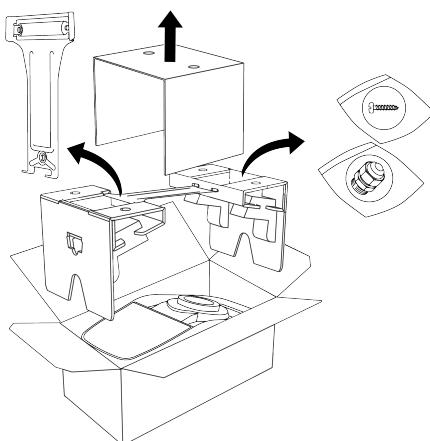


PL

4. Wyjmij trzy kartonowe wypełniacze, wspornik ścienny oraz zestawy montażowe.

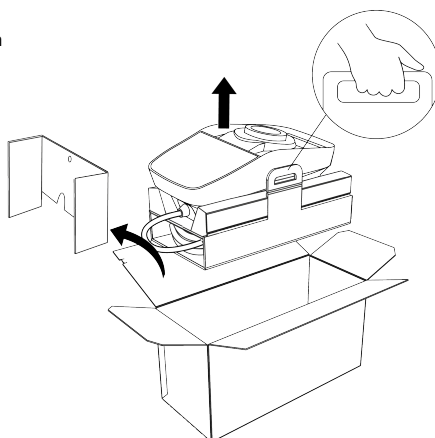
**i Uwaga**

Aby zapobiec uszkodzeniu, pozostaw stację ładowania i kabel w opakowaniu do czasu montażu.

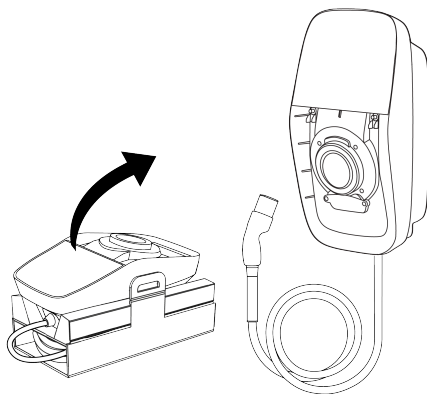


5. Jeśli stację ładowania można zainstalować na wsporniku ściennym, wyjmij ją z opakowania w następujący sposób:

- a. Usuń kartonową wkładkę, a następnie wyjmij kartonowe opakowanie ze stacją ładowania i kablem z pudełka.



- b. Wyjmij z opakowania stację ładowania oraz kabel ładowania.

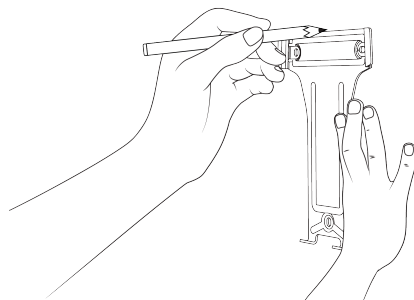


### 4.3. Instalacja wspornika ściennego i stacji ładowania

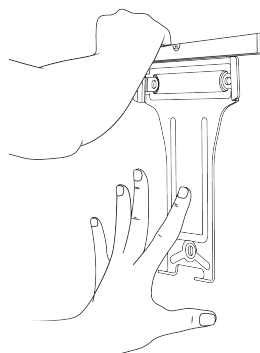
#### UWAGA

Przy doborze miejsca i wysokości montażowej stacji ładowania oraz wejścia na kabel zasilania przestrzegaj zaleceń zawartych w punkcie [Planowanie instalacji na stronie 381](#).

1. Zainstaluj wspornik ścienny w następujący sposób:
  - a. Zaznacz wysokość górnej krawędzi wspornika ściennego.

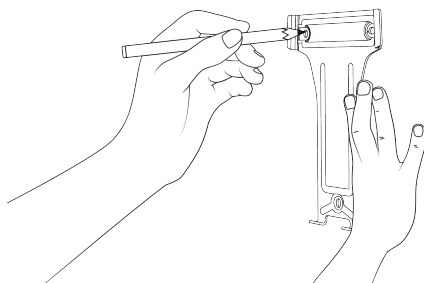


- b. Przytrzymaj wspornik ścienny przy ścianie i wyrównaj poziomnicą.

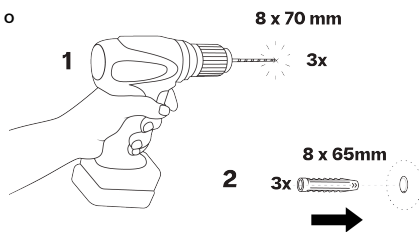


#### 4. Instrukcja instalacji

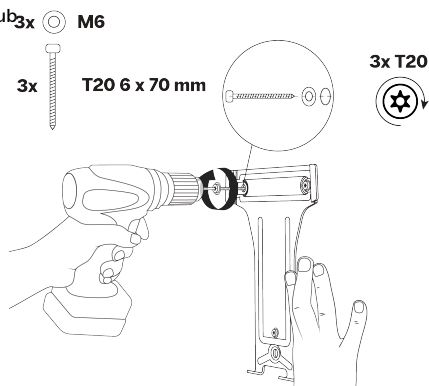
- c. Zaznacz na ścianie trzy miejsca na śruby. Odłóż wspornik ścienny.



- d. W każdym miejscu na śrubę wywierć otwór 8 mm o głębokości 70 mm. W każdym otworze w ścianie umieść kołek 8 x 65 mm.

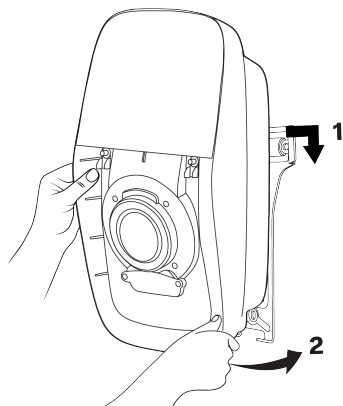


- e. Zainstaluj wspornik ścienny przy użyciu trzech śrub T20 6 x 70 mm i podkładek M6.



2. Zainstaluj stację ładowania w następujący sposób:

- a. Zaczep stację ładowania o górną część wspornika ściennego, po czym przekręć ją w dół, aby wyrównać dwa dolne otwory na śruby.

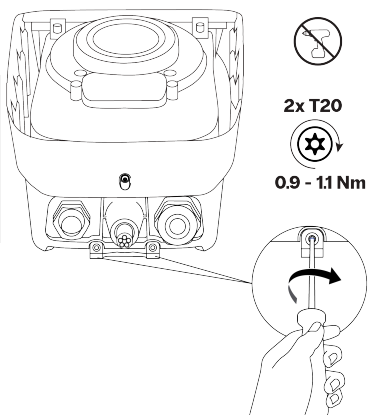


- b. Przymocuj stację ładowania do wspornika ściennego przy użyciu dwóch śrub Torx T20 z zabezpieczeniem.

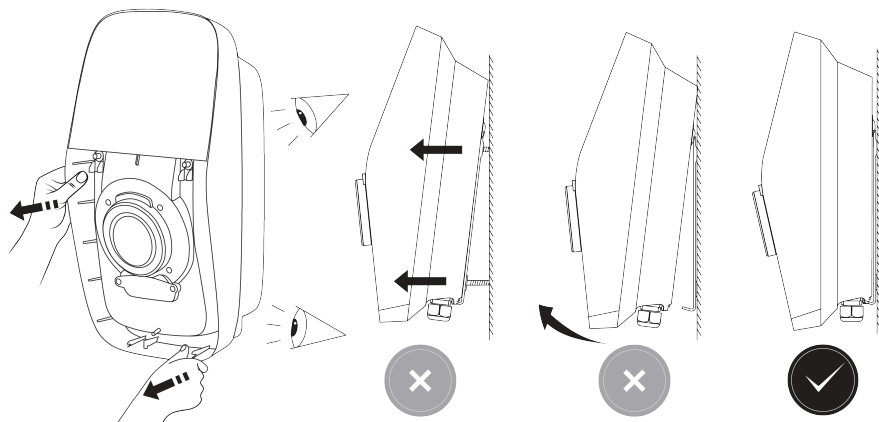
**⚠ UWAGA**

Użycie wkrętarki o dużym momencie obrotowym może uszkodzić śruby i podzespoły.

- Korzystać wyłącznie z wkrętarki niskoobrotowej z odpowiednio ustawionym momentem obrotowym.



- c. Delikatnie pociągnij za stację ładowania, aby upewnić się, że jest dobrze zamocowana do wspornika ściennego i ściany.



#### 4.4. Podłączanie kabla zasilania

Stacja ładowania jest wyposażona w dwa zamienne dławiki kablowe:



#### 4. Instrukcja instalacji

- Zamontowany dławik kablowy jest przeznaczony do kabla zasilania z osłoną o średnicy od 13 do 25 mm.
- Zestaw dławika kablowego jest przeznaczony do kabla zasilania z osłoną o średnicy od 12 do 20 mm.

Zaciski są przystosowane do przewodów o następującej grubości:

- Przewód jednodrutowy: maks. 16 mm<sup>2</sup>.
- Przewód pleciony z nasadką (bez plastikowej tulejki): maks. 10 mm<sup>2</sup>.

Kabel zasilania może być doprowadzony do stacji od góry lub od spodu. Dolne wejście kablowe A można zastosować w dowolnym miejscu. Górne wejście kablowe B wolno stosować tylko w miejscu, gdzie nie ma ryzyka narażenia na deszcz lub wilgoć.

#### **⚠ UWAGA**

Przy doborze wejścia kabla zasilania do stacji ładowania przestrzegaj zaleceń opisanych w punkcie [Planowanie instalacji na stronie 381](#).

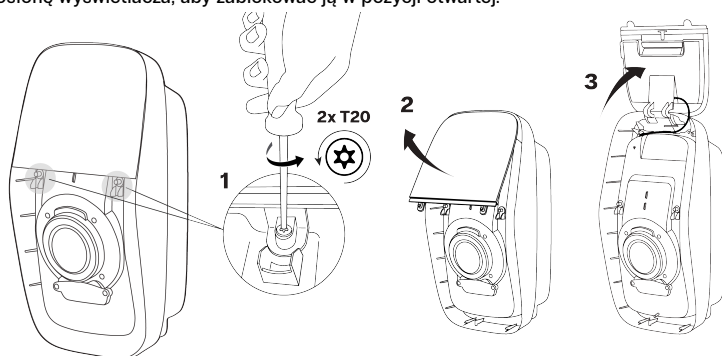
#### **i Uwaga**

Wejście na kabel komunikacji znajduje się wyłącznie na spodzie stacji ładowania.

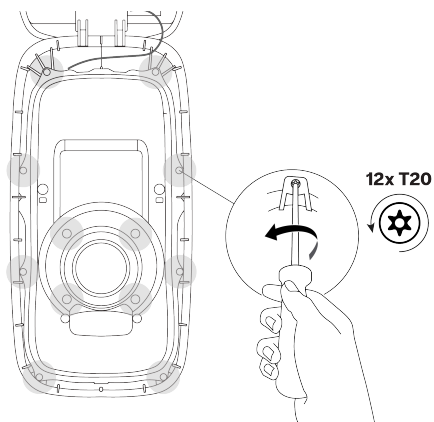
#### **i Uwaga**

Wszystkie śruby mocujące Torx T20 mają zabezpieczenie. Nie wykręcaj śrub z zabezpieczeniem całkowicie ze stacji ładowania.

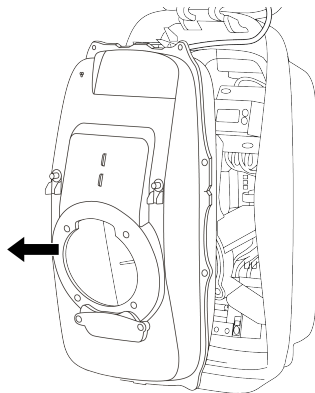
1. Zdejmij osłonę wewnętrzną w następujący sposób:
  - a. Poluzuj dwie śruby Torx T20 z zabezpieczeniem mocujące osłonę wyświetlacza. Otwórz całkowicie osłonę wyświetlacza, aby zablokować ją w pozycji otwartej.



- b. Poluzuj 12 śrub mocujących Torx T20 z zabezpieczeniem, trzymających osłonę wewnętrzną.

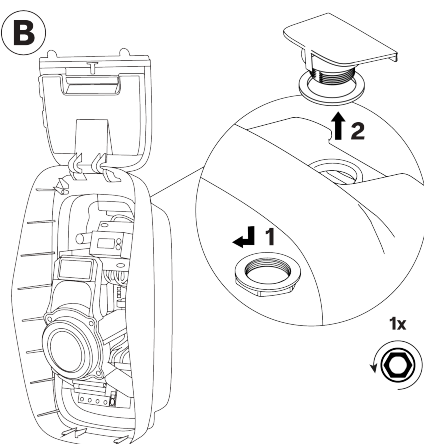


- c. Zdejmij osłonę wewnętrzną.

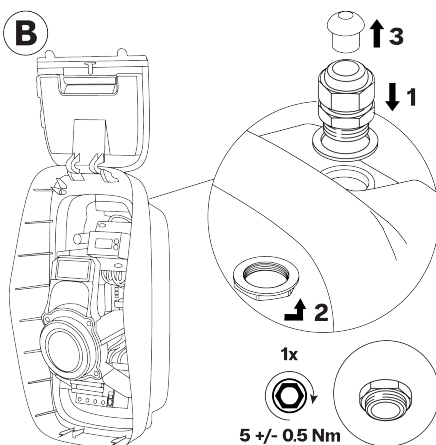


2. W przypadku górnego wejścia kablowego: przygotuj wejście górne na kabel zasilania w następujący sposób:

- a. Odkręć nakrętkę mocującą osłonę górnego wejścia. Zdejmij osłonę. Zachowaj nakrętkę do użycia z dławikiem kablowym. Osłonę przechowuj w opakowaniu.



- b. Zainstaluj dławik kablowy i uszczelkę na górnym wejściu. Nałóż i dokręć nakrętkę. Wyjmij i zachowaj zaślepkę dławika kablowego na przyszłość.

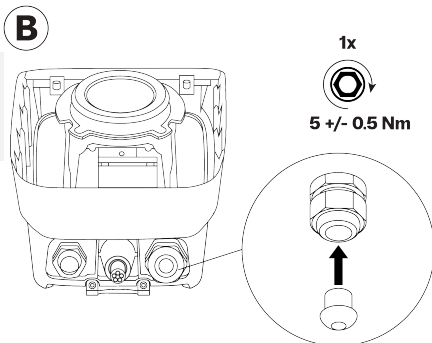


#### 4. Instrukcja instalacji

- c. Umieść zaślepkę w nieużywanym dławiku w spodzie stacji ładowania.

**⚠ UWAGA**

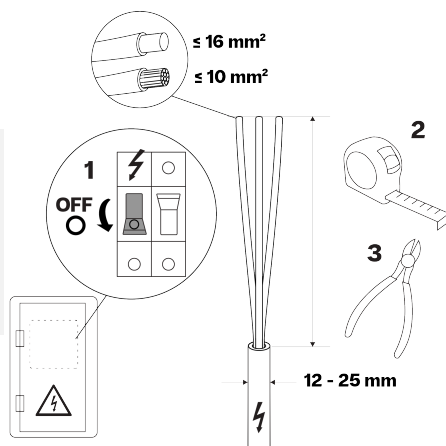
Upewnij się, że zaśleпка jest zainstalowana w dławiku, aby zachować stopień ochrony IP stacji ładowania.



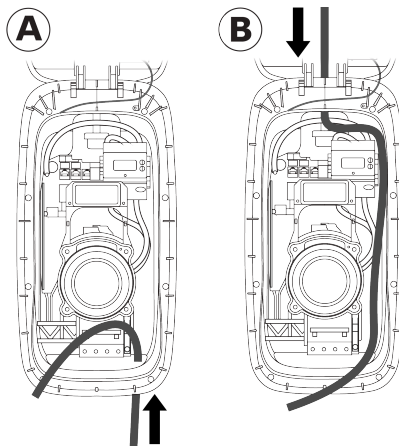
3. Przytnij kabel zasilania i usuń zewnętrzną osłonę tak, aby kabel oraz jego przewody miały długość wystarczającą do podłączenia do RCBO i listwy zaciskowej PE w stacji ładowania. W razie potrzeby załóż dodatkową izolację na pojedyncze przewody.

**⚠ UWAGA**

Aby zapewnić ochronę obwodom o bardzo niskim napięciu znamionowym bez uziemienia funkcjonalnego (SELV), przewody ze zdjętą izolacją pojedynczą nie mogą dotykać podzespołów na płycie głównej. W razie potrzeby załóż drugą izolację na poszczególne przewody, np. przy użyciu rur termokurczliwych lub tulejek izolacyjnych.



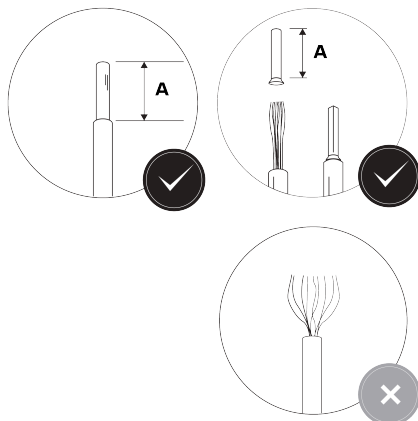
4. Wprowadź kabel zasilania do stacji ładowania przez dolne wejście kablowe A lub górne wejście kablowe B. Poprowadź kabel zasilania do przyłączy. Pozostaw tyle kabla, aby umożliwić odстыkanie i podłączenie przewodów.



5. Zdejmij izolację z końcówek przewodów kabla zasilania:

- Do RCBO,  $A = 12 \text{ mm}$
- Do listwy zaciskowej,  $A = 18 \text{ mm}$

W przypadku stosowania skrętki zainstaluj końcówki tulejkowe na przewodach i zaprasuj je na kwadrat, żeby zapewnić optymalne dopasowanie do listwy zaciskowej PE i RCBO.



6. W przypadku stacji z wbudowanym wyłącznikiem RCBO podłącz kabel zasilania w następujący sposób:

**⚠ OSTRZEŻENIE**

Niepoprawne podłączenie przewodów zasilania może skutkować wystąpieniem ryzyka porażenia prądem, a tym samym uszkodzeniem stacji ładowania, odniesieniem obrażeń lub śmiercią.

- Upewnij się, że przewody zasilania są prawidłowo podłączone.

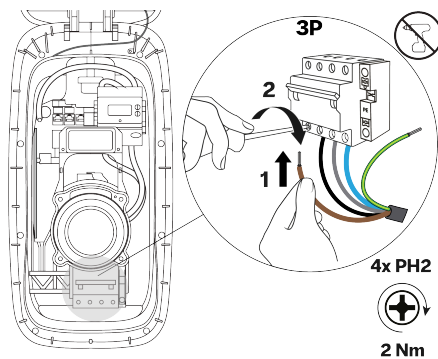
**i Uwaga**

Podłącz przewody zgodnie ze schematem instalacji elektrycznej zasilania w części [Wymagania dotyczące zasilania na stronie 383](#).

**i Uwaga**

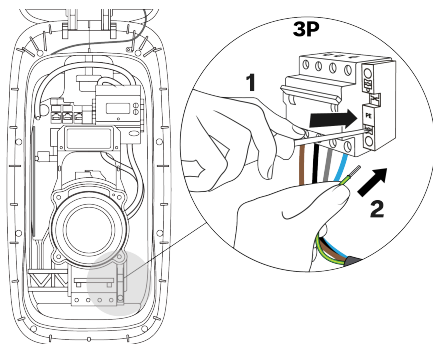
Wyłączniki RCBO typu B są instalowane w stacjach ładowania do góry nogami.

- a. Podłącz przewody kabla zasilania do wyłącznika RCBO. Dokręć śruby, aby zamocować przewody.

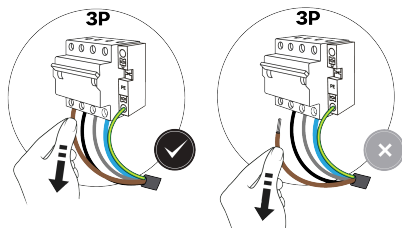


#### 4. Instrukcja instalacji

- b. Podłącz przewód PE kabla zasilania do listwy zaciskowej PE.



- c. Pociągnij za każdy przewód, aby się upewnić, że jest solidnie podłączony.



7. W przypadku stacji z listwami zaciskowymi podłącz kabel zasilania w następujący sposób:

#### **⚠ OSTRZEŻENIE**

Niepoprawne podłączenie przewodów zasilania może skutkować wystąpieniem ryzyka porażenia prądem, a tym samym uszkodzeniem stacji ładowania, odniesieniem obrażeń lub śmiercią.

- Upewnij się, że przewody zasilania są prawidłowo podłączone.

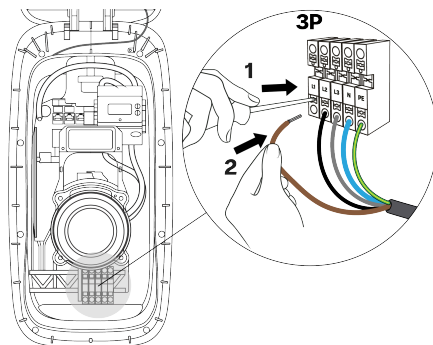
#### **i Uwaga**

Podłącz przewody zgodnie ze schematem instalacji elektrycznej zasilania w części [Wymagania dotyczące zasilania na stronie 383](#).

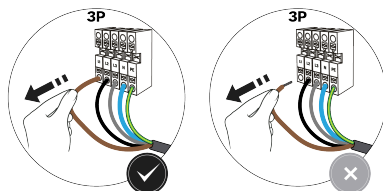
#### **i Uwaga**

Na ilustracji widać instalację 3-fazową z przewodem neutralnym.

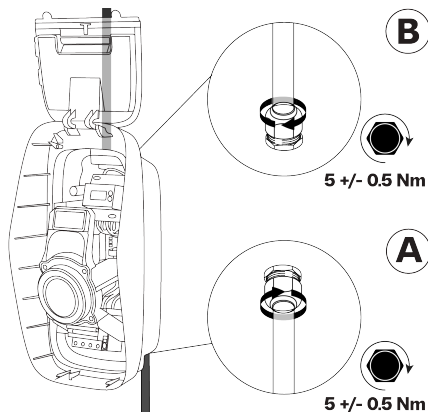
- a. Podłącz przewody kabla zasilania do listw zaciskowych.



- b. Pociągnij za każdy przewód, aby się upewnić, że jest solidnie podłączony.



8. Dokręć dławik kablowy, aby zabezpieczyć kabel zasilania i zachować stopień ochrony IP stacji ładowania.



## 4.5. Komunikacja ze stacją ładowania

Wejście na kabel komunikacji znajduje się wyłącznie przy lewym dławiku kablowym na spodzie stacji ładowania. Przez dławik można poprowadzić do stacji ładowania maksymalnie cztery kable komunikacji.

Istnieją trzy opcje podłączenia stacji ładowania do Internetu:

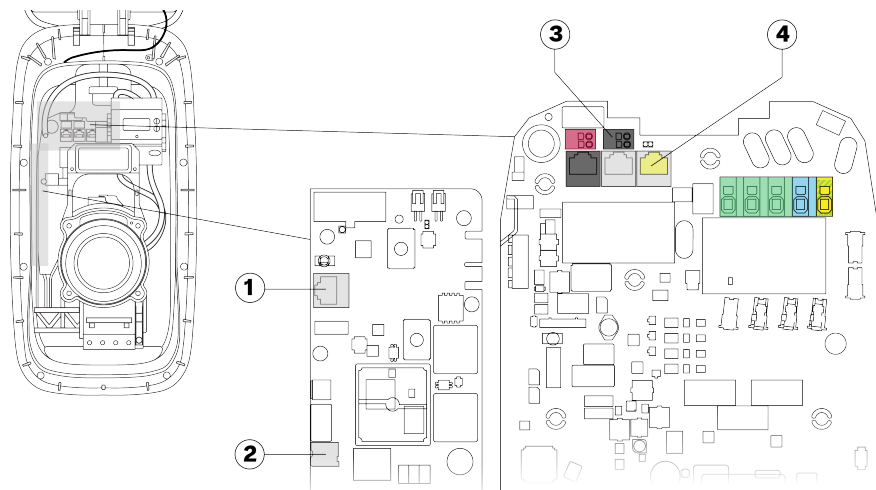
- Ethernet (zalecana opcja)
- Wi-Fi (patrz [Konfiguracja na stronie 408](#))
- Sieć komórkowa (karta SIM)

### Przyłącza i podzespoły komunikacyjne

#### **i** Uwaga

Zastosowanie przyłączy i podzespołów komunikacyjnych uzależnione jest od modelu stacji ładowania i wymaganych funkcji.

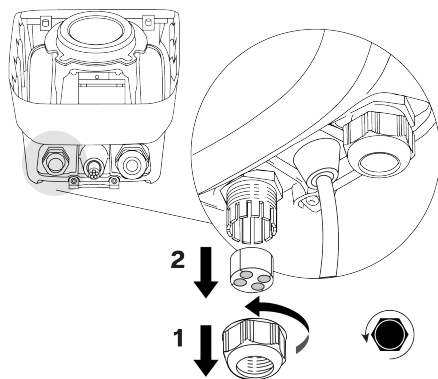
## 4. Instrukcja instalacji



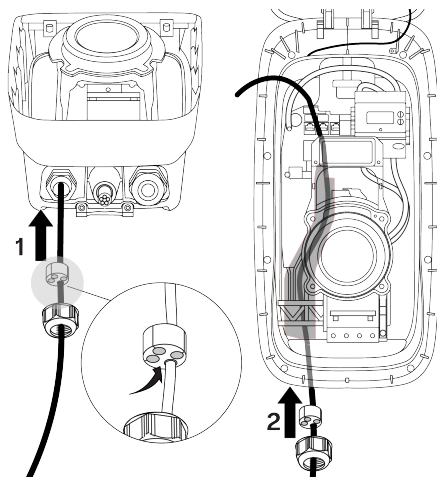
1. Gniazdo Ethernet do przewodowego połączenia z Internetem
2. Gniazdo na kartę nano-SIM do komórkowego połączenia z Internetem
3. Zaciski do aktywnego sterowania zasilaniem (dotyczy tylko Niemiec)
4. Gniazdo CT IN do dynamicznego równoważenia obciążenia

### 4.5.1. Prowadzenie kabli komunikacyjnych

1. Zdejmij nakrętkę i uszczelkę z lewego dławika kablowego.



- Przełóż wymagane kable komunikacyjne przez nakrętkę dławika kablowego i uszczelkę, a następnie przez lewy dławik kablowy na spodzie stacji ładowania. Przełóż kable przez kanał kablowy na górze stacji ładowania.



PL

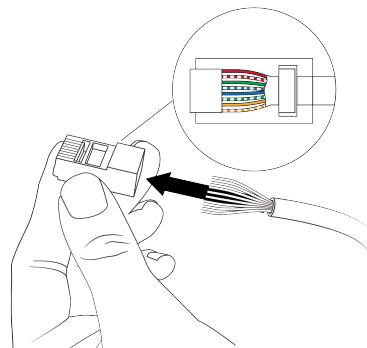
#### 4.5.2. Opcjonalnie: podłącz kabel Ethernet do połączenia z Internetem

##### **i** Uwaga

Użyj dowolnego kabla sieciowego kategorii 5 lub wyższej (Cat5, Cat5e, Cat6) ze skręconymi parami przewodów.

- Zaleca się użycie ekranowanego kabla sieciowego, choć nie jest to obowiązkowe.
- W przypadku zastosowania kabla ekranowanego, nie należy uziemiać ekranu.
- W przypadku instalacji zewnętrznych należy użyć kabla sieciowego odpornego na promieniowanie UV.
- Kable sieciowe mogą być wyposażone w fabryczne wtyki RJ45 lub można je zainstalować przed poprowadzeniem kabla sieciowego do stacji ładowania oraz po jego zakończeniu.

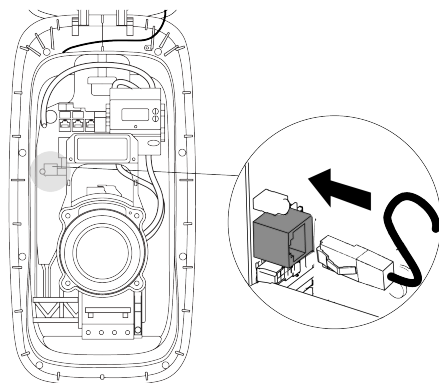
- Jeśli na kablu nie ma fabrycznego wtyku RJ45, zainstaluj go.





#### 4. Instrukcja instalacji

2. Podłącz wtyk RJ45 kabla sieciowego do gniazda Ethernet na płycie komunikacyjnej.



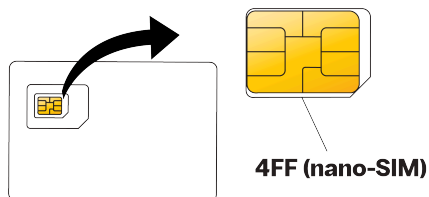
PL

#### 4.5.3. Opcjonalnie: zainstaluj kartę SIM do połączenia z Internetem

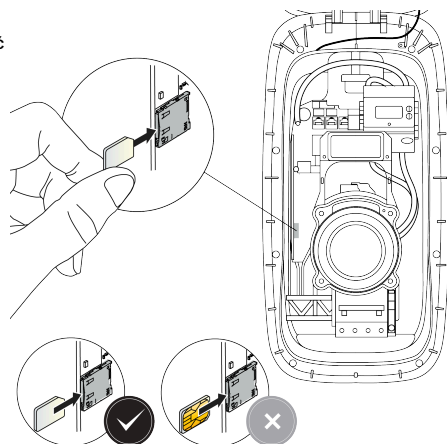
##### Uwaga

Obsługiwane są tylko wybrane rodzaje kart SIM.

1. Wyłóż kartę SIM 4FF (nano-SIM) z prostokąta.



2. Wsuń kartę SIM 4FF (nano-SIM) do gniazda na płycie komunikacyjnej i zablokuj ją. Styki karty SIM muszą być skierowane w stronę płyty komunikacyjnej.



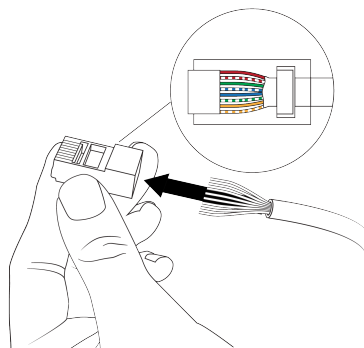
#### 4.5.4. Opcjonalnie: podłącz kabel do dynamicznego równoważenia obciążenia

##### **i** Uwaga

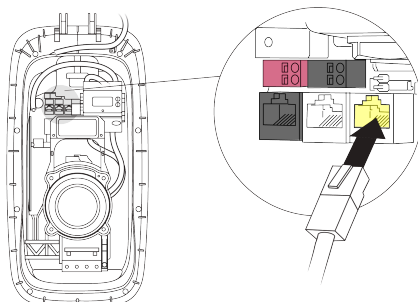
Użyj dowolnego kabla sieciowego kategorii 5 lub wyższej (Cat5, Cat5e, Cat6) ze skręconymi parami przewodów.

- Zaleca się użycie ekranowanego kabla sieciowego, choć nie jest to obowiązkowe.
- W przypadku zastosowania kabla ekranowanego, nie należy uziemiać ekranu.
- W przypadku instalacji zewnętrznych należy użyć kabla sieciowego odpornego na promieniowanie UV.
- Kable sieciowe mogą być wyposażone w fabryczne wtyki RJ45 lub można je zainstalować przed poprowadzeniem kabla sieciowego do stacji ładowania oraz po jego zakończeniu.

1. Jeśli na kablu nie ma fabrycznego wtyku RJ45, zainstaluj go.



2. Podłącz wtyk kabla sieciowego RJ45 do gniazda CT IN.



#### 4.5.5. Dotyczy wyłącznie właściwych krajów: podłączanie kabla zdalnego sterowania zasilaniem

Listwa zaciskowa przyjmuje drut o grubości z następującego przedziału:

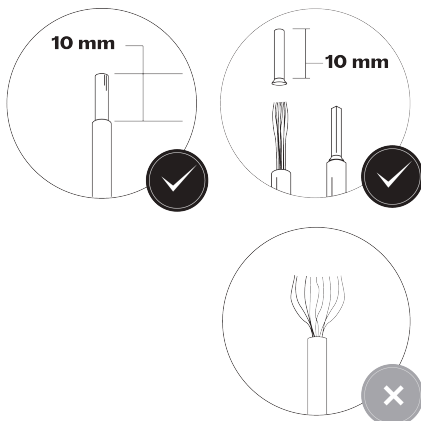
- Przewód jednodrutowy: maks. 1,5 mm<sup>2</sup>.
- Przewód pleciony z nasadką (bez plastikowej tulejki): maks. 1,5 mm<sup>2</sup>.

Wymagany jest kabel podwójnie izolowany odporny na temperatury do 90°C.

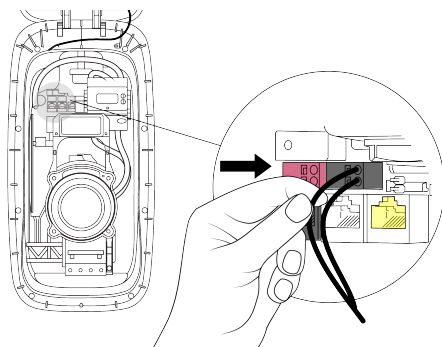
#### 4. Instrukcja instalacji

1. Zdejmij izolację z końcówek przewodów kabla sterowania zasilaniem pod napięciem.

W przypadku stosowania skrętki zainstaluj końcówki tulejkowe (bez tulei z tworzywa) i zaprasuj je na kwadrat, żeby zapewnić optymalne dopasowanie do listwy zaciskowej.



2. Podłącz przewody sterowania zasilaniem pod napięciem do czarnej listwy zaciskowej (wejście cyfrowe 1).



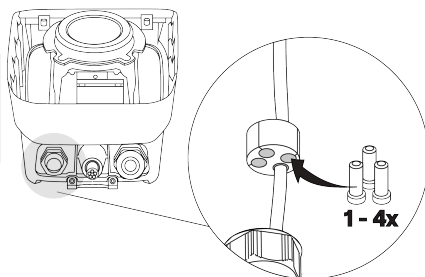
3. Podłącz drugi koniec przewodu sterowania zasilaniem pod napięciem do urządzenia sterującego DSO za pośrednictwem styków zwiernych (NO).

#### 4.5.6. Dokręcanie dławika kablowego

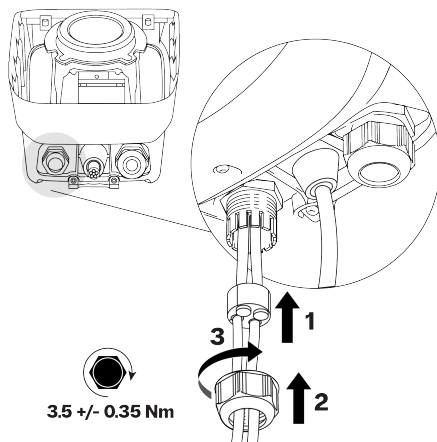
1. Załóż zaślepki na nieużywane otwory uszczelki dławika kablowego.

#### **⚠ UWAGA**

Dopilnuj, żeby nieużywane wejścia dławika kablowego miały założone zaślepki, aby zachować stopień ochrony IP stacji ładowania.



2. Wsuń uszczelkę do dławika kablowego, po czym dokręć go, aby zabezpieczyć kable sieciowe i zaślepkę.

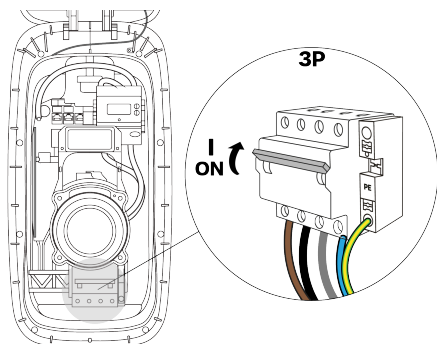


## 4.6. Montaż osłon stacji ładowania

1. W przypadku stacji z wbudowanym wyłącznikiem RCBO: upewnij się, że wyłącznik RCBO stacji ładowania jest włączony.

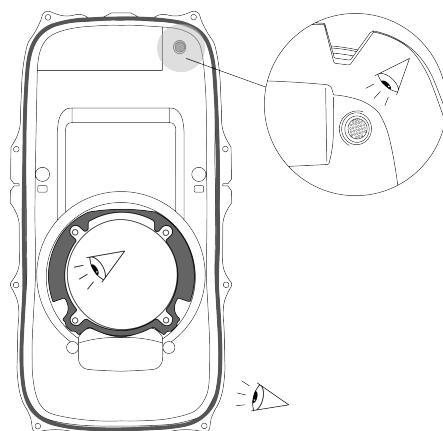
### **i** Uwaga

Wyłączniki RCBO typu B są instalowane w stacjach ładowania do góry nogami. Jeśli stacja ładowania jest wyposażona w wyłącznik RCBO typu B, kierunki włączania i wyłączenia są odwrócone.



2. Przed instalacją sprawdź wewnętrzną osłonę w następujący sposób:

- a. Wewnątrz sprawdź, czy uszczelka wewnętrznej osłony i uszczelka środkowa są czyste i nieuszkodzone. Sprawdź, czy membrana odpowietrzająca jest zamocowana i nieuszkodzona.



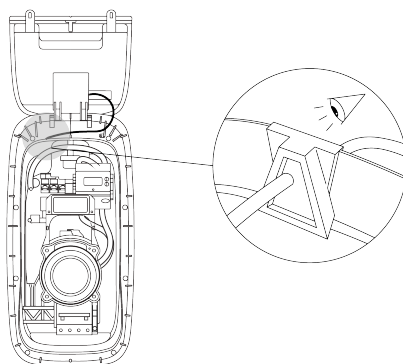
#### 4. Instrukcja instalacji

- b. Na zewnątrz sprawdź, czy trzy otwory odpowietrzające nie są zablokowane wodą, kurzem lub brudem.

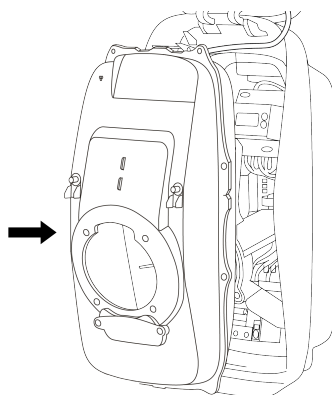


PL

3. Sprawdź, czy uszczelka przepustu na kabel wyświetlacza stacji ładowania jest poprawnie zamontowana.



4. Zamontuj osłonę wewnętrzną w następujący sposób:  
a. Zaczep dolną krawędź osłony pod środkowym otworem, a następnie dociśnij górną część osłony na miejsce.



- b. Dokręć 12 śrub montażowych Torx T20 z zabezpieczeniem w kolejności przedstawionej na ilustracji, aby przymocować osłonę wewnętrzną.

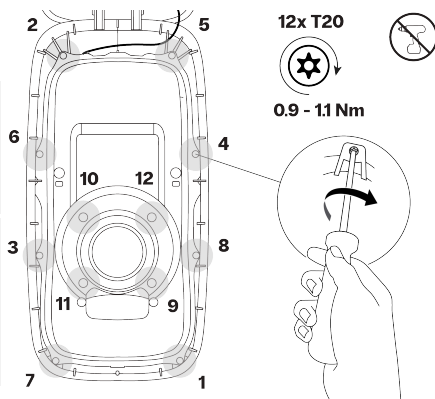
**⚠ UWAGA**

Ryzyko przedostania się wody do wnętrza. Jeśli śruby nie zostaną dokręcone we właściwej kolejności, do stacji ładowania będzie mógł wnikać deszcz i wilgoć.

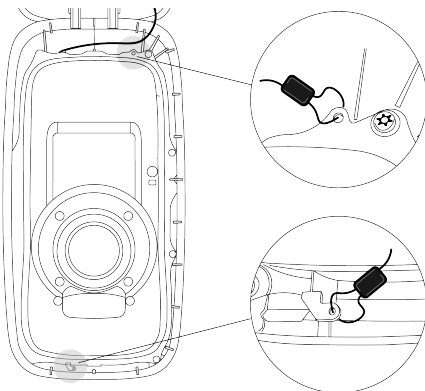
**⚠ UWAGA**

Użycie wkrętarki o dużym momencie obrotowym może uszkodzić śruby i podzespoły.

- Korzystać wyłącznie z wkrętarki niskoobrotowej z odpowiednio ustawionym momentem obrotowym.



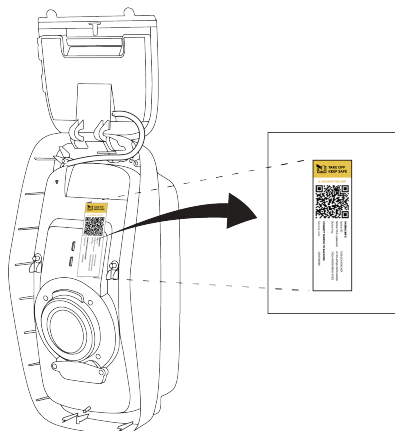
- c. Opcjonalnie: załóż dwie plombki zabezpieczające w prawym górnym i lewym dolnym rogu osłony wewnętrznej.



5. Odklej naklejkę zawierającą informacje dotyczące stacji ładowania z osłony wewnętrznej. Połącz naklejkę do dokumentacji stacji ładowania. Informacje podane na naklejce będą potrzebne w trakcie konfiguracji.

**⚠ UWAGA**

Aby uniemożliwić nieautoryzowany dostęp do ustawień stacji ładowania, nie należy pozostawiać naklejki na samej stacji.



6. Zamontuj osłonę wyświetlacza i przednią osłonę w następujący sposób:

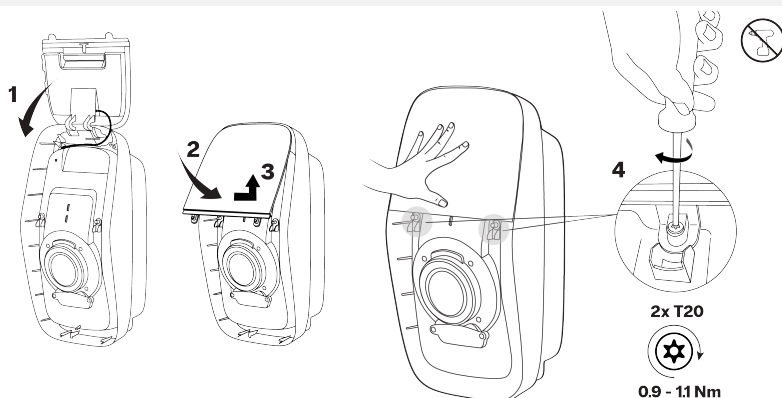
#### 4. Instrukcja instalacji

- a. Zamknij osłonę wyświetlacza i przytrzymaj ją w tej pozycji. Przymocuj osłonę wyświetlacza za pomocą dwóch śrub Torx T20 z zabezpieczeniem.

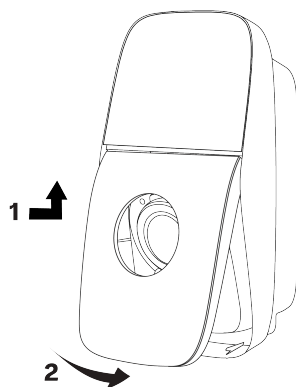
**⚠ UWAGA**

Użycie wkrętarki o dużym momencie obrotowym może uszkodzić śruby i podzespoły.

- Korzystać wyłącznie z wkrętarki niskoobrotowej z odpowiednio ustawionym momentem obrotowym.



- b. Osadź górną krawędź przedniej osłony w zaczepie pod dolną krawędzią osłony wyświetlacza, a następnie opuść osłonę równo z dolnym otworem na śrubę.

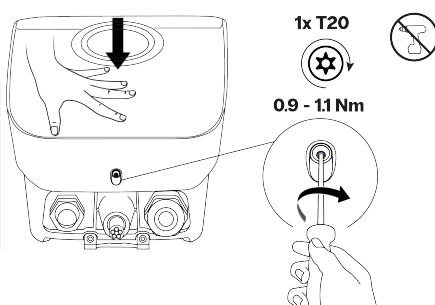


- c. Dociśnij przednią osłonę do sprężyny. Dokręć śrubę Torx T20 z zabezpieczeniem, aby zamocować przednią osłonę na stacji ładowania.

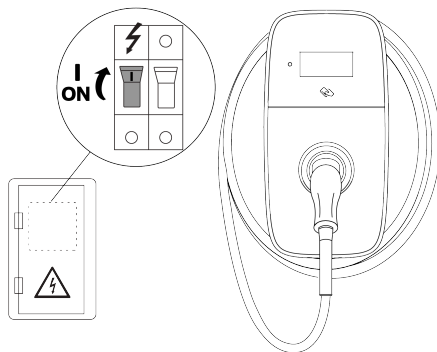
**⚠ UWAGA**

Użycie wkrętarki o dużym momencie obrotowym może uszkodzić śruby i podzespoły.

- Korzystać wyłącznie z wkrętarki niskoobrotowej z odpowiednio ustawionym momentem obrotowym.



7. Owiń kabel ładowania luźno wokół stacji w celu przechowania i odłóż wtyczkę ładowania do uchwyty na wtyczkę.  
Załącz zasilanie stacji ładowania. Białe światło będzie krążyć po pierścieniu LED, sygnalizując rozruch stacji ładowania.



Instalacja stacji ładowania jest zakończona. Pierścień LED zaświeci się na biało i zamiga dwa razy, sygnalizując możliwość rozpoczęcia konfiguracji.

## 4.7. Konfiguracja

Żeby stacja ładowania była funkcjonalna, musi mieć połączenie z Internetem. Gdy połączenie zostanie nawiązane, zaleca się uaktywnienie stacji ładowania na Platformie Zarządzania Ładowaniem (CMP), aby możliwe było czerpanie wszystkich korzyści z funkcji stacji oraz pomocy technicznej online.

Zanim możliwe będzie skorzystanie ze stacji ładowania należy ją skonfigurować.

### 4.7.1. Konfiguracja stacji ładowania

#### OSTRZEŻENIE

Ryzyko porażenia prądem, które może prowadzić do poważnych obrażeń lub śmierci. Z aplikacji EVBox Install do konfiguracji stacji ładowania może korzystać wyłącznie wykwalifikowany elektryk.

1. Pobierz aplikację EVBox Install App i zainstaluj ją na swoim smartfonie lub tablecie.



2. Otwórz aplikację EVBox Install App i wykonaj instrukcje w aplikacji.  
Informacje dotyczące stacji ładowania, wymagane do jej konfiguracji, znajdują się na naklejce, która została usunięta w trakcie montażu.





## 5. Instrukcje użytkowania

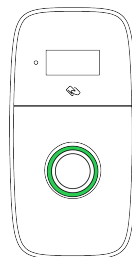
3. Aby zapewnić bezpieczną obsługę stacji ładowania, ustaw następujące kluczowe parametry przy użyciu aplikacji EVBox Install App:
  - Maksymalny prąd ładowania.
  - Łączność z Internetem.
  - Inne ustawienia konfiguracyjne.

### 4.7.2. Opcjonalnie: uaktywnij stację ładowania na platformie CMP

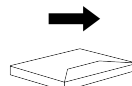
W przypadku stacji ładowania online użytkownik musi aktywować stację ładowania na platformie zarządzania ładowaniem (CMP) na stronie internetowej CMP lub przy użyciu aplikacji właściwej dla CMP. Skontaktuj się z operatorem punktu ładowania (CPO), aby uzyskać szczegóły na temat procedury aktywacji stacji ładowania.

### 4.7.3. Gotowość do użytkowania

Stacja ładowania jest gotowa do ładowania pojazdu elektrycznego, gdy na stacji zamontowane są osłony, została ona w pełni oddana do eksploatacji, a pierścieni LED świeci na zielono.



Przekazanie całej dokumentacji właścicielowi. Właściciel musi przechowywać całą dokumentację dostarczoną wraz ze stacją ładowania w bezpiecznym miejscu przez cały okres eksploatacji produktu.



## 5. Instrukcje użytkowania

### **⚠ NIEBEZPIECZEŃSTWO**

Nieprzestrzeganie wskazówek dotyczących użytkowania zawartych w niniejszej instrukcji grozi porażeniem prądem elektrycznym, które może spowodować poważne obrażenia lub śmierć.

- Przed użyciem stacji ładowania należy zapoznać się ze środkami bezpieczeństwa oraz instrukcjami dla użytkownika zawartymi w niniejszej instrukcji.
- Jeśli nie wiesz, jak korzystać ze stacji ładowania, skontaktuj się ze sprzedawcą, aby uzyskać więcej informacji.

### 5.1. Rozpocznienie i kończenie sesji ładowania

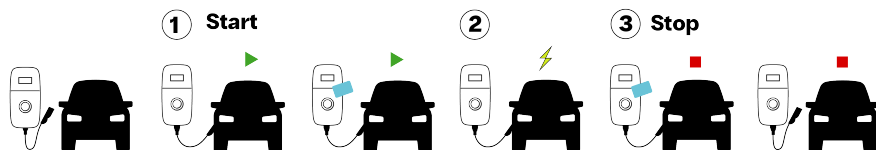
#### **i Uwaga**

Instrukcje dotyczące sesji ładowania są wyświetlane także na wyświetlaczu.

1. Rozpocznienie ładowania:
  - Wyjmij wtyczkę z uchwytu stacji ładowania i całkowicie rozwiń kabel ładowania owinięty wokół stacji.
  - Podłącz kabel ładowania do pojazdu.
  - Jeżeli używasz karty ładowania lub breloka, przytrzymaj je przed czytnikiem stacji ładowania, aby rozpocząć ładowanie.\*
2. Pojazd jest ładowany.

## 3. Kończenie ładowania:

- Jeżeli używasz karty ładowania lub breloka\*\*, przytrzymaj je przed czytnikiem stacji ładowania, aby zakończyć ładowanie\*.
- Odłącz kabel ładowania od pojazdu.
- Owiń kabel ładowania wokół stacji ładowania, a następnie odłóż wtyczkę do uchwytu.



\* Jeżeli stacja ładowania jest skonfigurowana tylko do akceptowania kart ładowania lub breloków.

\*\* Należy użyć tej samej karty ładowania lub breloka, które wykorzystano w celu rozpoczęcia sesji ładowania.

## 5.2. Wskaźniki stanu




## Uwaga

Stan stacji ładowania jest widoczny także na wyświetlaczu.

## Uwaga

Niektóre funkcje i wskaźniki stanu nie są dostępne we wszystkich modelach.

Pierścień LED	Kolor	Opis stanu
	Biały (obraca się)	Stacja ładowania uruchamia się lub trwa aktualizacja oprogramowania.
	Biały (miga)	Oczekiwanie na konfigurację stacji ładowania przy użyciu aplikacji EVBox Install App.
	Zielony (świeci)	Bezczynność. Stacja jest gotowa do ładowania.
	Czerwony (świeci)	Uwierzytelnianie się nie powiodło. Wskaźnik zmienia się na zielony po upływie 5 sekund.
	Niebieski (świeci)	<ul style="list-style-type: none"> <li>• Stacja ładowania oczekuje na pojazd.</li> <li>• Ładowanie zostało wstrzymane.</li> </ul>
	Niebieski (światło przesuwają się od dołu do góry)	Pojazd jest ładowany.

Pierścień LED	Kolor	Opis stanu
	Zielony (miga)	Sesja ładowania została ukończona. Można odłączyć pojazd od stacji ładowania.
	Pomarańczowy (świeci)	Ładowanie jest spowolnione lub wstrzymane z powodu wysokiej temperatury. Ładowanie zostanie wznowione automatycznie.
	Pomarańczowy (miga)	Sesja ładowania zakończona niepowodzeniem. Odłącz pojazd i spróbuj ponownie.

### 5.3. Konserwacja przez użytkownika

Użytkownik stacji ładowania jest odpowiedzialny za jej stan techniczny oraz musi przestrzegać zarówno przepisów dotyczących bezpieczeństwa osób, zwierząt i mienia, jak i przepisów dotyczących instalacji obowiązujących w kraju użytkownika. Należy regularnie zlecać kontrolę stacji ładowania wykwalifikowanemu elektrykowi i w zgodzie z przepisami dotyczącymi instalacji obowiązującymi w kraju zamieszkania.

#### NIEBEZPIECZEŃSTWO

Nadmierne narażenie stacji ładowania na działanie wody grozi porażeniem prądem elektrycznym powodującym poważne obrażenia ciała lub śmierć.

- Nie kieruj silnych strumieni wody w kierunku stacji ładowania lub na nią.
- Nie wkładaj wtyczki ładowania do jakiegokolwiek cieczy.

#### UWAGA

Do czyszczenia stacji ładowania nie używaj agresywnych chemicznych środków czyszczących ani rozpuszczalników.

1. Brud i naturalne substancje organiczne na zewnętrznych powierzchniach stacji ładowania usuwaj za pomocą wilgotnej, miękkiej ściereki. Upewnij się, że wyświetlacz, pierścień LED i czujnik światła są czyste.
2. Wzrokowo sprawdź stan stacji, kabla ładowania i wtyku kabla. Jeśli podejrzewasz, że stacja ładowania, kabel lub wtyk zostały uszkodzone lub zabrudzone, skontaktuj się z wykwalifikowanym elektrykiem w celu naprawy lub wymiany uszkodzonych podzespołów.
3. Delikatnie pociągnij za stację ładowania, aby upewnić się, że wciąż jest dobrze zamocowana. Upewnij się, że zewnętrzna pokrywa stacji trzyma się dobrze. Jeśli stacja ładowania lub pokrywa są luźne, skontaktuj się z wykwalifikowanym elektrykiem w celu poprawnego wykonania ponownego montażu.

### 5.4. Logowanie do stacji ładowania

Za pomocą smartfону, tabletu lub laptopa z włączoną usługą Wi-Fi użytkownik może zalogować się do stacji ładowania w celu zmiany ustawień, takich jak sieć Wi-Fi, lub wyświetlenia licencji na oprogramowanie. Instrukcje są dostępne na stronie [help.evbox.com](http://help.evbox.com).



## 6. Rozwiązywanie problemów

### ⚠ NIEBEZPIECZEŃSTWO

Serwis lub naprawa stacji ładowania przez niewykwalifikowaną osobę grozi porażeniem prądem elektrycznym, które może spowodować poważne obrażenia lub śmierć.

- Serwis lub naprawę stacji ładowania może wykonać wyłącznie wykwalifikowany elektryk.
- Użytkownik nie może podejmować prób serwisowania lub naprawy stacji ładowania, ponieważ nie zawiera ona części, które mogą być przez niego serwisowane.

### 6.1. Sygnalizacja błędów

Pierścień LED	Kolor	Opis stanu	Czynność
	Czerwony (świeci)	Wystąpił błąd.	Wykonaj instrukcje widoczne na wyświetlaczu.
	Zgaszony	Awaria zasilania.	Sprawdź zasilanie stacji. Zresetuj wyłącznik MCB lub RCD w szafie zasilającej. W przypadku stacji z wbudowanym wyłącznikiem RCBO sprawdź, czy wyłącznik ten jest otwarty (patrz <a href="#">Dostęp do wyłącznika RCBO na stronie 412</a> ).

### **i** Uwaga

Niektóre stany błędów można wyeliminować poprzez wyłączenie i ponowne włączenie zasilania.

- W przypadku stacji bez wbudowanego wyłącznika RCBO wyłącz i ponownie włącz zasilanie szafy zasilającej.
- W przypadku stacji z wbudowanym wyłącznikiem RCBO wyłącz i ponownie włącz zasilanie, używając RCBO (patrz [Dostęp do wyłącznika RCBO na stronie 412](#)).

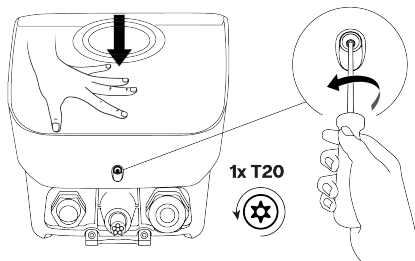
### 6.2. Dostęp do wyłącznika RCBO

Ta procedura dotyczy wyłącznie stacji ładowania z wbudowanym wyłącznikiem RCBO. Do wyłącznika RCBO można dojść przez osłonę dostępową w osłonie wewnętrznej. Przed przystąpieniem do tej procedury upewnij się, że stacja ładowania jest podłączona do zasilania.

### **i** Uwaga

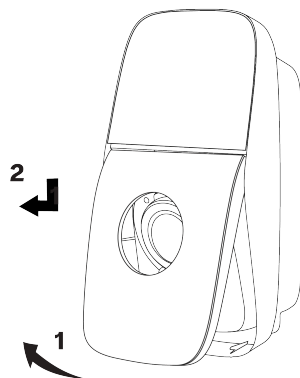
Wszystkie śruby mocujące Torx T20 mają zabezpieczenie. Nie wykręcaj śrub z zabezpieczeniem całkowicie ze stacji ładowania.

1. Jeśli do stacji ładowania podłączony jest pojazd elektryczny, odłącz go.
2. Dociśnij przednią osłonę do sprężyny, po czym poluzuj jedną śrubę Torx T20 z zabezpieczeniem, za pomocą której przednia osłona jest przymocowana do stacji ładowania.

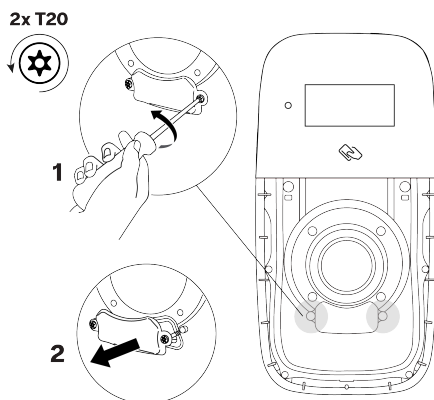


## 6. Rozwiązywanie problemów

3. Odchyl przednią osłonę do góry, a następnie odczep górną krawędź przedniej osłony od zaczepu pod dolną krawędzią osłony wyświetlacza.



4. Poluzuj dwie śruby Torx T20 z zabezpieczeniem. Zdejmij osłonę wyłącznika RCBO z osłony wewnętrznej.

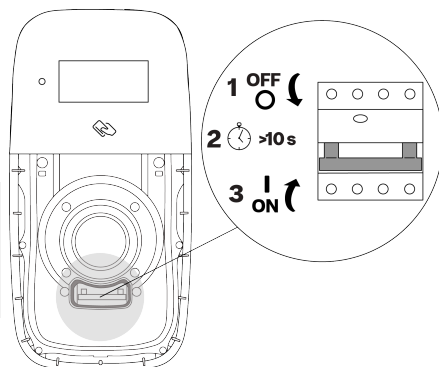


5. Aby wyłączyć i ponownie włączyć stację ładującą, należy wyłączyć RCBO, odczekać 10 sekund, a następnie włączyć RCBO.

Białe światło będzie krążyć po pierścieniu LED, sygnalizując rozruch stacji ładowania. Gdy pierścień LED zaświeci się na zielono, stacja ładowania będzie gotowa do ładowania pojazdu elektrycznego.

### **i** Uwaga

Wyłączniki RCBO typu B są instalowane w stacjach ładowania do góry nogami. Jeśli stacja ładowania jest wyposażona w wyłącznik RCBO typu B, kierunki włączania i wyłączania są odwrócone.

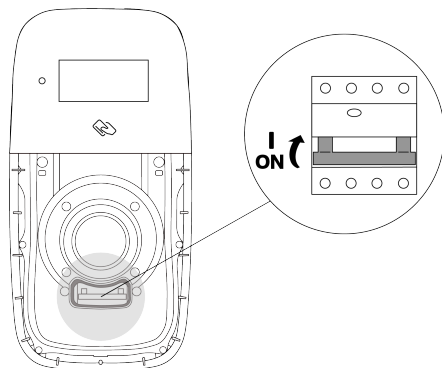


6. Aby otworzyć RCBO, przestaw przełącznik RCBO w dół.

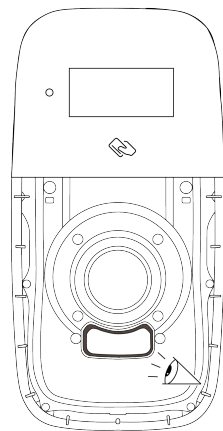
Białe światło będzie krążyć po pierścieniu LED, sygnalizując rozruch stacji ładowania. Gdy pierścień LED zaświeci się na zielono, stacja ładowania będzie gotowa do ładowania pojazdu elektrycznego.

**i Uwaga**

Wyłączniki RCBO typu B są instalowane w stacjach ładowania do góry nogami. Jeśli stacja ładowania jest wyposażona w wyłącznik RCBO typu B, kierunki włączania i wyłączania są odwrócone.



7. Sprawdź, czy uszczelka osłony wewnętrznej jest czysta i nieuszkodzona.

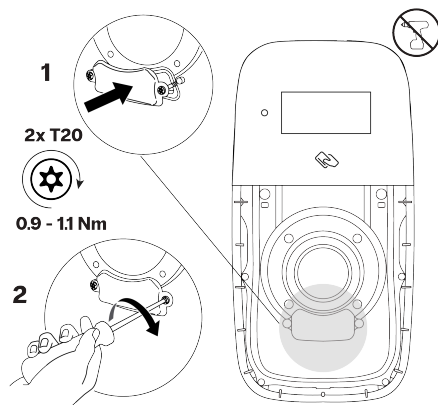


8. Zamontuj osłonę RCBO na osłonie wewnętrznej. Dokręć dwie śruby Torx T20 z zabezpieczeniem.

**⚠ UWAGA**

Użycie wkrętarki o dużym momencie obrotowym może uszkodzić śruby i podzespoły.

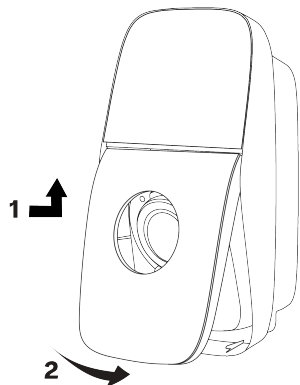
- Korzystać wyłącznie z wkrętarki niskoobrotowej z odpowiednio ustawionym momentem obrotowym.



9. Zamontuj przednią pokrywę w następujący sposób:

## 7. Demontaż

- a. Osadź górną krawędź przedniej osłony w zaczepie pod dolną krawędzią osłony wyświetlacza, a następnie opuść osłonę równo z dolnym otworem na śrubę.

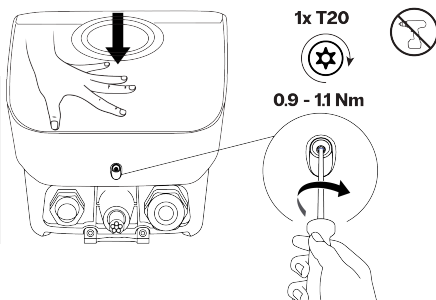


- b. Dociśnij przednią osłonę do sprężyny. Dokręć śrubę Torx T20 z zabezpieczeniem, aby zamocować przednią osłonę na stacji ładowania.

### ⚠ UWAGA

Użycie wkrętarki o dużym momencie obrotowym może uszkodzić śruby i podzespoły.

- Korzystać wyłącznie z wkrętarki niskooobrotowej z odpowiednio ustawionym momentem obrotowym.



## 7. Demontaż

Demontaż i recykling stacji ładowania należy wykonać zgodnie z obowiązującymi przepisami miejscowymi dotyczącymi utylizacji odpadów.

	Nie należy wyrzucać stacji ładowania razem z odpadami komunalnymi. Stację ładowania należy oddać w miejscowym punkcie odbioru urządzeń elektrycznych/elektronicznych, aby umożliwić jej recykling i tym samym uniknąć negatywnego i niebezpiecznego wpływu na środowisko. Adresy odpowiednich placówek można uzyskać od władz miejskich lub gminnych.
	Recykling materiałów pozwala zaoszczędzić surowce i energię, a także w znacznym stopniu przyczynia się do ochrony środowiska.



FR

Cet appareil et ses accessoires se recyclent

À DÉPOSER EN MAGASIN



À DÉPOSER EN DÉCHÈTERIE



OU

Points de collecte sur [www.quefairedemesdechets.fr](http://www.quefairedemesdechets.fr)  
Privilégiez la réparation ou le don de votre appareil !

## 8. Załącznik

### 8.1. Słowniczek

Skrót	Znaczenie
1P	Zasilanie 1-fazowe (wejście i wyjście). Parametry znamionowe stacji są podane na spodzie stacji.
3P	Zasilanie 3-fazowe (wejście i wyjście). Parametry znamionowe stacji są podane na spodzie stacji.

Skrót	Znaczenie
AC	Prąd przemienny.
CMP	Platforma Zarządzania Ładowaniem (CMP). Platforma back end łącząca stację ładowania z CPO.
CPO	Operator Punktu Ładowania. Właściciel i/lub operator instalacji stacji ładowania.
DSO	Operator sieci dystrybucyjnej. Operator odpowiedzialny za zasilającą sieć elektryczną.
ESD	Wyładowanie elektrostatyczne.
EV	Pojazd elektryczny.
IK	Ochrona przeciwudarowa.
IP	Stopień ochrony.
RF	Komunikacja wykorzystująca częstotliwości radiowe.
LAN	Sieć lokalna.
LED	Dioda elektroluminescencyjna.
MCB	Wyłącznik nadprądowy.
OCPP	Protokół uwierzytelniania samochodów elektrycznych na publicznych stacjach ładowania.
PE	Uziemienie ochronne lub masa.
RCBO	Wyłącznik różnicowoprądowy z wbudowanym zabezpieczeniem nadprądowym.
RCD	Wyłącznik różnicowoprądowy.

## 8.2. Deklaracja zgodności UE

Firma EVBox B.V. oświadcza, że sprzęt radiowy typu EVBox Liviqo jest zgodny z Dyrektywą 2014/53/UE. Pełna treść Deklaracji zgodności UE dostępna jest na stronie [help.evbox.com](http://help.evbox.com).

### Informacje prawne

Technologia	Pasma częstotliwości	Maks. moc wyjściowa
GSM 900	890 MHz – 915 MHz	27,77 dBm
GSM 1800	1710 MHz – 1785 MHz	24,77 dBm
LTE pasmo 3	1710 MHz – 1785 MHz	28,48 dBm
LTE pasmo 8	880 MHz – 915 MHz	28,48 dBm
LTE pasmo 20	832 MHz – 862 MHz	28,48 dBm
LTE pasmo 28	703 MHz – 748 MHz	28,48 dBm
WLAN (802.11b/g/n)	2412 MHz – 2484 MHz	16,79 dBm
WLAN (802.11a/n/ac)	5150 MHz – 5250 MHz	16,63 dBm
WLAN (802.11a/n/ac)	5725 MHz – 5850 MHz	11,46 dBm
RFID	13,56 MHz	19,00 dBm



# EVBox Liveiqo

## Cable



# Índice

1. Introdução	421
1.1. Âmbito do manual	421
1.2. Símbolos utilizados no presente manual	421
1.3. Ícones utilizados no presente manual	421
1.4. Certificação e Cumprimento	422
2. Segurança	422
2.1. Precauções de segurança	422
2.2. Precauções de deslocamento e armazenamento	424
3. Características do produto	425
3.1. Descrição	425
3.2. Especificações técnicas	425
3.3. Componentes entregues	427
4. Instruções de instalação	428
4.1. Preparação para a instalação	428
4.1.1. Planeamento da instalação	428
4.1.2. Ferramentas necessárias	429
4.1.3. Requisitos da fonte de alimentação	429
4.1.4. Opcional: load balancing (estabilização de carga) dinâmica	433
4.1.5. Opcional: load balancing (estabilização de carga) de cluster	433
4.1.6. Apenas para países aplicáveis: controlo remoto de potência por OSD	434
4.2. Desembalagem	435
4.3. Instale a braçadeira de parede e a estação de carregamento	437
4.4. Ligue o cabo de alimentação	439
4.5. Comunicação da estação de carregamento	444
4.5.1. Encaminhe os cabos de comunicação	445
4.5.2. Opcional: ligue o cabo de Ethernet para Internet	446
4.5.3. Opcional: instale cartão SIM para Internet	447
4.5.4. Opcional: ligue o cabo de load balancing (estabilização de carga) dinâmica	448
4.5.5. Apenas para países aplicáveis: ligue o cabo de controlo de potência remoto	448
4.5.6. Aperte o prensa-cabos	449
4.6. Instale as tampas da estação de carregamento	450
4.7. Configuração	454
4.7.1. Configure a estação de carregamento	454
4.7.2. Opcional: ative a estação de carregamento com CMP	455
4.7.3. Pronta para utilização	455
5. Instruções para o utilizador	455
5.1. Iniciar e parar uma sessão de carregamento	455
5.2. Indicação de estado	456
5.3. Manutenção por parte do utilizador	457
5.4. Inicie sessão na estação de carregamento	457
6. Resolução de problemas	458
6.1. Indicação de erro	458
6.2. Aceda ao RCBO	458
7. Desinstalação	461
8. Apêndice	461
8.1. Glossário	461

PT

# 1. Introdução

O presente Manual de instalação e do utilizador descreve como instalar a estação de carregamento e prepará-la para ser utilizada. Deve ler cuidadosamente as informações de segurança antes de começar.

## 1.1. Âmbito do manual

As instruções de instalação e configuração neste manual destinam-se exclusivamente a instaladores qualificados capazes de avaliar o trabalho e de identificar potenciais perigos.

As instruções para o utilizador destinam-se a utilizadores da estação de carregamento.

Guarde toda a documentação entregue com a estação de carregamento num lugar seguro durante todo o ciclo de vida do produto. Encaminhe toda a documentação a quaisquer proprietários subsequentes do produto.

Todos os manuais EVBox podem ser descarregados a partir da [evbox.com/manuals](http://evbox.com/manuals).

### Isenção de responsabilidade

O presente documento é redigido apenas para fins informativos e não constitui uma proposta vinculativa ou contrato com a EVBox. A EVBox compilou este documento no melhor do seu conhecimento e intenção. Nenhuma garantia expressa ou implícita é dada em relação à integridade, exatidão, fiabilidade ou adequação para a finalidade específica dos conteúdos, produtos e serviços apresentados. Os dados relativos às especificações e ao desempenho contêm valores médios dentro das tolerâncias das especificações existentes e estão sujeitos a alterações sem aviso prévio. A EVBox rejeita explicitamente qualquer responsabilidade por qualquer dano direto ou indireto, no sentido lato, decorrente ou relacionado com a utilização ou interpretação deste documento.

© EVBox. Todos os direitos reservados. O nome EVBox e o logo EVBox são marcas comerciais da EVBox B.V ou de um dos seus afiliados. Nenhuma parte do presente documento deverá ser modificada, reproduzida, transformada ou distribuída de qualquer outra forma ou por outros meios, sem autorização prévia por escrito da EVBox.

EVBox Manufacturing B.V.

Kabelweg 47

1014 BA Amesterdão

Países Baixos

[help.evbox.com](http://help.evbox.com)

## 1.2. Símbolos utilizados no presente manual

### Símbolos utilizados no presente manual

#### PERIGO

Indica uma situação iminente perigosa com um nível de risco elevado que, se o perigo não for impedido, irá provocar morte ou lesão grave.

#### AVISO

Indica uma situação potencialmente perigosa com um nível de risco moderado que, se o aviso não for obedecido, pode provocar morte ou lesão grave.

#### CUIDADO

Indica uma situação potencialmente perigosa com um nível de risco médio que, se a advertência não for obedecida, pode provocar lesões menores ou moderadas ou danos ao equipamento.

#### Nota

As notas contêm sugestões úteis ou referências a informações não contidas neste manual.

1., a. ou i.      Ação a ser seguida na ordem indicada.

## 1.3. Ícones utilizados no presente manual



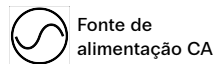
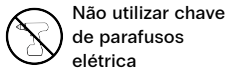
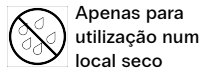
Escolher uma característica



Instalador



Utilizador



## 1.4. Certificação e Cumprimento

	A estação de carregamento foi certificada pela CE pelo fabricante e possui o logo da CE. A declaração de conformidade pertinente pode ser obtida do fabricante.
	Os aparelhos elétricos e eletrônicos, incluindo os acessórios, devem ser eliminados separadamente dos resíduos sólidos municipais gerais.
	A reciclagem de materiais economiza matérias-primas e energia e contribui de forma significativa para a conservação do meio ambiente.



Points de collecte sur [www.quefairedemesdechets.fr](http://www.quefairedemesdechets.fr)  
Privilégiez la réparation ou le don de votre appareil !

### Nota

Consulte [Declaração de conformidade da UE na página 462](#) para a Declaração de Conformidade para este produto.

## 2. Segurança

### 2.1. Precauções de segurança

#### PERIGO

O não seguimento das instruções de instalação e do utilizador apresentadas no presente manual resultará no risco de choque elétrico, o que causará ferimentos graves ou morte.

- Leia o presente manual antes de instalar ou utilizar a estação de carregamento.

#### PERIGO

A instalação, reparação e recolocação desta estação de carregamento por uma pessoa não qualificada resultará no risco de choque elétrico, o que causará ferimentos graves ou morte.

- A instalação, reparação e recolocação da estação de carregamento é da exclusiva competência de um electricista qualificado.
- O utilizador não deve tentar reparar a estação de carregamento, dado que esta não contém peças que possam ser reparadas pelo utilizador.
- As normas locais podem ser aplicáveis e podem variar dependendo da região ou país de utilização. O electricista qualificado deve sempre certificar-se de que a estação de carregamento é instalada de acordo com as normas locais.

#### PERIGO

Trabalhar em instalações elétricas sem as devidas precauções resultará no risco de choque elétrico, o que causará ferimentos graves ou morte.

- Antes de instalar a estação de carregamento, desligue a tensão de entrada.
- Não ligue a estação de carregamento, se não estiver totalmente instalada ou fixa.
- Não instale uma estação de carregamento defeituosa ou com um problema visível.

### PERIGO

A exposição prolongada da estação de carregamento a água resultará no risco de choque elétrico, que causará ferimentos graves ou morte.

- Não dirija jatos fortes de água na direção ou para cima da estação de carregamento.
- Não coloque a ficha de carregamento em líquidos.

### PERIGO

A operação da estação de carregamento se estiver danificada ou desgastada pode resultar no risco de choque elétrico, o que causará ferimentos graves ou morte.

- Não opere a estação de carregamento se a fonte de alimentação, o invólucro ou um conector do VE estiverem partidos, fissurados, abertos, ou apresentarem outros sinais de danos.
- Não utilize a estação de carregamento de um cabo de carregamento estiver desgastado, tiver um isolamento roto ou mostrar qualquer outra indicação de danos.
- Em caso de perigo e/ou de acidente, deve desligar imediatamente a alimentação elétrica da estação de carregamento.
- Contacte o seu instalador se suspeitar que a estação de carregamento está danificada.

### AVISO

A instalação da estação de carregamento sob condições ambientais húmidas (por exemplo, chuva ou nevoeiro) pode resultar no risco de choque elétrico e danificação do produto, o que pode causar ferimentos graves ou morte.

- Não instale ou abra a estação de carregamento sob condições ambientais húmidas (por exemplo, chuva ou nevoeiro).

### AVISO

Uma utilização incorreta da estação de carregamento resultará no risco de choque elétrico, o que pode causar ferimentos ou morte.

- Antes de iniciar uma sessão de carregamento, certifique-se de que a área de contacto da ficha de carregamento não apresenta sujidade nem humidade.
- Certifique-se de que o cabo de carregamento é posicionado de modo a não ser pisado, não causar tropeçamento, não ser trilhado, ou não estar de modo algum sujeito a força excessiva ou danos. Onde for aplicável, certifique-se de que o cabo de carregamento está corretamente armazenado sempre que não estiver a ser utilizado, certificando-se de que a ficha de carregamento nunca entra contacto com o solo.
- Puxe apenas a pega da ficha de carregamento e nunca o cabo de carregamento.
- Mantenha a estação de carregamento, o cabo de carregamento e a ficha de carregamento afastados de fontes de calor, sujidade e água.
- Não utilize substâncias explosivas ou muito inflamáveis perto da estação de carregamento.

### AVISO

A utilização de adaptadores, adaptadores de conversão ou extensões de cabos com a estação de carregamento pode resultar em incompatibilidades técnicas e na danificação da estação de carregamento, o que pode causar ferimentos ou morte.

- Utilize esta estação de carregamento para carregar somente veículos elétricos compatíveis. Para mais detalhes, consulte as especificações da estação de carregamento descritas no manual de instalação da estação de carregamento.
- Consulte o manual de utilizador do seu veículo para verificar se o seu veículo é compatível.

### AVISO

A exposição da estação de carregamento ou do cabo de carregamento a calor ou substâncias inflamáveis pode resultar em danificação da estação de carregamento, o que causará ferimentos ou morte.

- Certifique-se de que a estação de carregamento e o cabo de carregamento nunca entram em contacto com calor.
- Não utilize substâncias explosivas ou muito inflamáveis perto da estação de carregamento.

**⚠️ AVISO**

A utilização da estação de carregamento sob condições não especificadas neste manual pode resultar na danificação da estação de carregamento, o que pode causar ferimentos ou morte.

- Utilize apenas a estação de carregamento sob as condições de funcionamento especificadas neste manual.

**⚠️ AVISO**

O trabalho em instalações elétricas sem uso de equipamento de proteção individual pode resultar no risco de ferimentos.

- Use equipamento de proteção individual como proteção ocular, luvas resistentes a cortes e sapatos de segurança antidesslizantes para prevenir ferimentos pessoais.

**⚠️ AVISO**

No caso de incêndio, o não seguimento das instruções de combate a incêndio podem resultar num perigo aumentado, que pode causar ferimentos ou morte.

- Quando for seguro, desligue a alimentação elétrica do equipamento que está a arder ou em perigo de incêndio.
- Não utilize água para extinguir instalações elétricas e equipamentos que tenham uma fonte de alimentação ativa.
- Para extinguir uma estação de carregamento, utilize um extintor que seja especificado para utilização em equipamentos elétricos com uma capacidade nominal de até 1 kV.

**⚠️ CUIDADO**

O carregamento de um veículo elétrico sem o cabo de carregamento estar totalmente desenrolado pode resultar no sobreaquecimento do cabo, o que pode danificar a estação de carregamento.

- Antes de ligar o cabo de carregamento ao veículo, desenrole completamente o cabo de carregamento para que não tenha superposição de voltas.

**⚠️ CUIDADO**

Introduzir dedos ou deixar outros objetos dentro da entrada da ficha (por exemplo, durante a limpeza) pode causar ferimentos ou danificar a estação de carregamento.

- Não introduza os dedos na entrada da ficha.
- Não deixe objetos dentro da entrada da ficha.

**⚠️ CUIDADO**

Não tomar precauções contra a DE (descarga eletrostática) pode danificar os componentes eletrônicos na estação de carregamento.

- Tome as precauções necessárias contra a DE antes de tocar nos componentes elétricos.

**⚠️ CUIDADO**

Não ativar atualizações de firmware para esta estação de carregamento, ou desativar, recusar ou de outro modo não instalar atualizações de firmware disponíveis, pode fazer com que a estação de carregamento encontre problemas, funcione com erros e seja mais propensa a riscos de segurança.

## 2.2. Precauções de deslocamento e armazenamento

Observe as seguintes orientações sempre que deslocar e armazenar a estação de carregamento:

- Nunca eleve a estação de carregamento utilizando o seu cabo de carregamento.
- Desligue a entrada de energia antes de remover a estação de carregamento para armazenamento ou recolocação.
- Transporte e armazene a estação de carregamento apenas na sua embalagem original. Não será aceite qualquer responsabilidade por danos sofridos quando o produto for transportado em embalagens não padronizadas.
- Guarde a estação de carregamento num ambiente seco dentro dos intervalos de humidade indicados nas Especificações técnicas (consulte [Especificações técnicas na página 425](#)).



## 3. Características do produto

### 3.1. Descrição

#### 1. Estação de carregamento

A estação de carregamento fornece energia elétrica de forma segura desde a rede elétrica ao veículo elétrico (VE).

#### 2. Ecrã

O ecrã guia o utilizador através das ações necessárias e apresenta informação sobre a sessão de carregamento.

#### 3. Sensor de luz e sensor de proximidade

O sensor de luz mede a intensidade da luz para ajustar automaticamente o brilho do ecrã e do anel LED. O sensor de proximidade liga o ecrã quando uma pessoa está perto da estação de carregamento.

#### 4. Leitor RFID

Esta é a área de leitura do seu cartão de carregamento ou chave fob para iniciar ou interromper uma sessão de carregamento.

#### 5. Anel LED

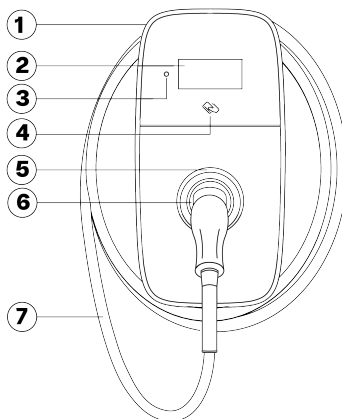
O anel LED indica o estado da estação de carregamento.

#### 6. Suporte

O suporte segura a ficha do cabo de carregamento quando o cabo de carregamento não está a ser utilizado.

#### 7. Cabo de carregamento

O cabo de carregamento liga a estação de carregamento ao VE. O cabo de carregamento é armazenado em torno da estação quando o cabo não está a ser utilizado.



PT

### 3.2. Especificações técnicas

Característica	Descrição
<b>Propriedades elétricas</b>	
Taxa de carga máxima	Até 22 kW (trifásico, 32 A) <b>i Nota</b> Pode ocorrer redução de carga. A taxa de carga depende de fatores tais como a demanda do VE, a fonte de alimentação disponível e a temperatura ambiente.
Modo de carregamento	Modo 3 (IEC 61851-1)
Cabo de carregamento fixo	Ficha de tipo 2 (IEC 62196-1, IEC 62196-2)
Comprimento do cabo de carregamento	6 m
Contador de kWh	Aprovado pela MID (Diretiva de instrumentos de medição) com precisão de classe B (EN-50470) Contador conforme com a Eichrecht <sup>(1)</sup>

Característica	Descrição
Capacidade de entrada	Configuração de 6–32 A Monofásico, 230 V ±10%, máximo 32 A ±6%, 50/60 Hz Trifásico, 400 V ±10%, máximo 32 A ±6%, 50/60 Hz
Diâmetro da bainha do cabo de alimentação	12 a 25 mm
Espessura do fio do cabo de alimentação	Fio sólido: máximo 16 mm <sup>2</sup> Fio flexível com virola (sem manga de plástico): máximo 10 mm <sup>2</sup>
Tensão suportável de impulso nominal ( <i>U<sub>imp</sub></i> )	4000 V
Tensão de isolamento nominal ( <i>U<sub>i</sub></i> )	CA 250 V (fase a terra) CA 450 V (fase a fase)
Deteção de corrente de fuga	Os tempos e limites de disparo obedecem à norma IEC 61851-1:2017 Cl. 8.5. (de acordo com a norma IEC 62955:2018 Tabela 2). Consulte <a href="#">Requisitos da fonte de alimentação na página 429</a> . RCBO: tipo A ou B
<b>Ambiente e classe de segurança</b>	
Intervalo de temperatura de funcionamento	-30 °C a +50 °C
Intervalo de temperatura de armazenamento	-40 °C a +80 °C
Humidade (sem condensação)	5% a 95%
Altitude de instalação máxima	2000 m acima do nível do mar
Códigos de segurança	IP55 (IEC 60529), IK10 (IEC 62262)
Classe de segurança	Classe de Segurança I e Categoria de sobretensão III
Grau de poluição do macroambiente	Grau de poluição 3
Classificação de compatibilidade eletromagnética (CEM)	Ambiente A e Ambiente B (de acordo com a norma IEC 61439-1)
Resistência mecânica para montagem estacionária	Alta resistência
<b>Conectividade</b>	
Autorização	Através de um leitor RFID (identificação por radiofrequência) ou uma aplicação
Wi-Fi	2,4/5 GHz
Rede de área local	Ethernet
Comunicação celular	4G LTE-M (contingência 2G suportada)
Protocolo de comunicação	OCPP 2.0.1
Funcionalidades de carregamento inteligente	Load Balancing (estabilização de carga) dinâmico, Load Balancing (estabilização de carga) de cluster, conforme com o protocolo EEBus e a norma ISO 15118 (compatível com hardware)
<b>Propriedades físicas</b>	
Dimensões (L x A x P)	256 x 508 x 211 mm
Peso	Aproximadamente 8,4 kg
Material do invólucro	Makrolon RE® com baixo teor de carbono
HMI	WVGA IPS LCD de 12,7 polegadas com 800 x 480 de medida, anel LED, alarme, autorização
<b>Certificação e Cumprimento</b>	

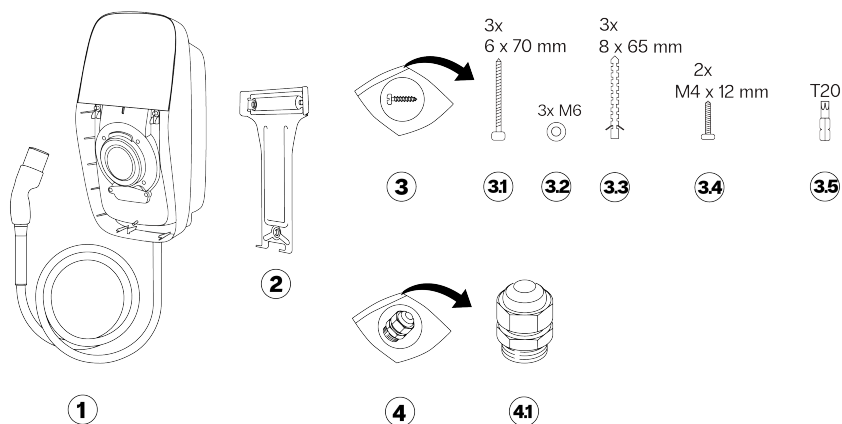
### 3. Características do produto

Característica	Descrição
Entrada de fonte de alimentação	Equipamento de alimentação do VE permanentemente ligado à rede de alimentação CA
Saída de fonte de alimentação	Equipamento de alimentação do VE CA
Condições ambientais normais	Utilização interior e exterior
Acesso	Equipamento para localizações com acesso não restrito
Tipo de equipamento	Equipamento estacionário montado numa parede ou num poste

<sup>(1)</sup>Opcional.

### 3.3. Componentes entregues

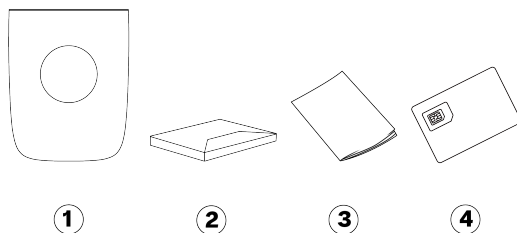
#### Componentes na caixa da estação de carregamento



- 1 Estação de carregamento com cabo de carregamento
- 2 Suporte de parede
- 3 Kit de instalação
- 3.1 Parafusos de painel, 6x70 mm, T20, 3x
- 3.2 Anilhas, M6, 3x

- 3.3 Buchas de parede, 8x65 mm, 3x
- 3.4 Parafusos, M4x12 mm, T20, 2x
- 3.5 Broca Torx, segurança T20
- 4 Kit de prensa-cabos
- 4.1 Prensa-cabos, 12-20 mm, com selo e ficha de supressão

#### Componentes na caixa da tampa



- 1 Tampa frontal
- 2 Pacote de boas-vindas (opcional)
- 3 Manual de instalação e do utilizador
- 4 Cartão SIM (opcional)

PT

## 4. Instruções de instalação

### 4.1. Preparação para a instalação

#### 4.1.1. Planeamento da instalação

As seguintes recomendações ajudam-lhe a planejar a instalação da estação de carregamento.

##### Escolha do local

- Sempre que possível, posicione a estação de carregamento num local onde não fique exposta à luz solar direta ou vulnerável a danos externos.
- A parede deve ter uma estrutura plana e ser capaz de suportar uma carga de pelo menos 100 kg.
- O perímetro mínimo de espaço livre à volta da estação de carregamento é de 300 mm.
- O local não deve fazer com que o cabo de carregamento tenha curvas acentuadas.
- O cabo de alimentação pode entrar na estação de carregamento pela parte superior ou pela parte inferior. A entrada do cabo pela parte inferior A pode ser utilizada em qualquer local. A entrada do cabo pela parte superior B deve ser utilizada apenas num local onde não exista risco de exposição à chuva ou humidade.

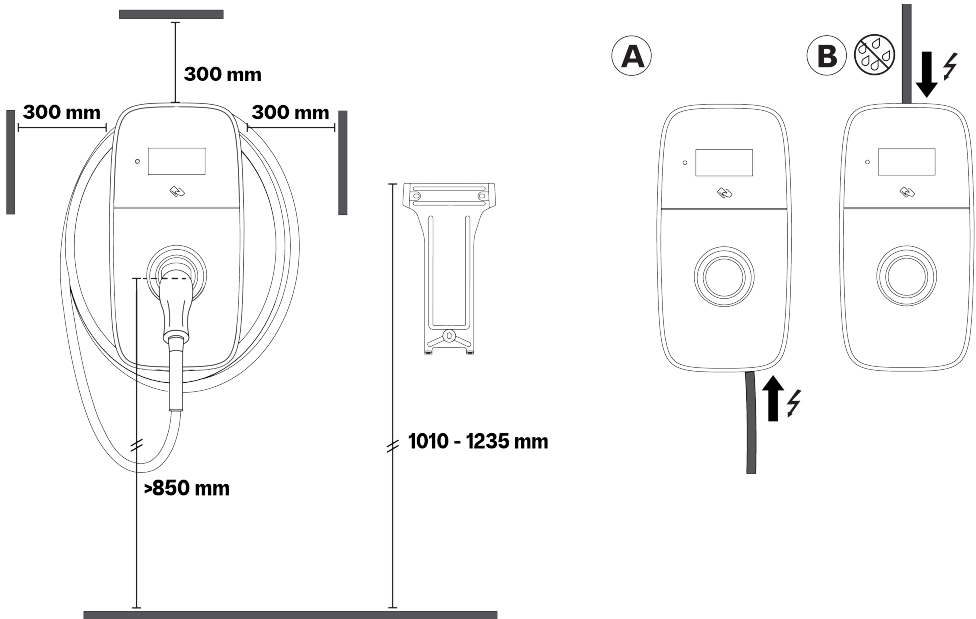
##### ⚠ CUIDADO

Risco de entrada de água quando a entrada do cabo pela parte superior B é utilizada no exterior. Durante um longo período de tempo, a chuva e humidade podem entrar na estação de carregamento ao longo do cabo de alimentação, o que pode danificar a estação de carregamento.

- A entrada do cabo de comunicação ocorre apenas através da parte inferior da estação de carregamento.

##### 📌 Nota

A seguinte ilustração mostra a altura de instalação mínima recomendada. Observe e cumpra as normas locais de acessibilidade.



#### Lista de verificação da pré-instalação

Antes de iniciar a instalação da estação de carregamento, verifique o seguinte:

- A instalação será feita de acordo com a norma IEC 60364 e quaisquer normas locais aplicáveis.
- Foram obtidas todas as licenças necessárias da autoridade local que tenha jurisdição.
- Foi calculada a carga elétrica existente para determinar a corrente máxima de funcionamento para a

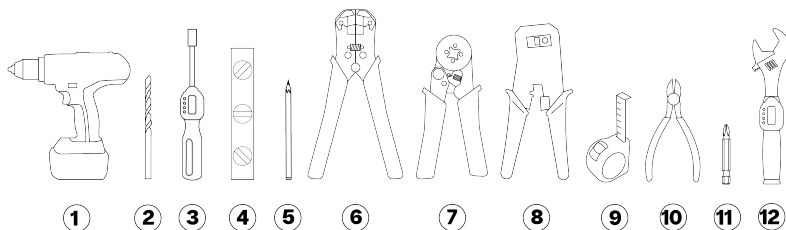
#### 4. Instruções de instalação

instalação da estação de carregamento.

- Para uma estação de carregamento sem um RCBO, são instalados um disjuntor em miniatura (DM) e um dispositivo diferencial residual (DDR) a montante e apresentam os índices recomendados. Consulte [Requisitos da fonte de alimentação na página 429](#).
- O cabo de alimentação elétrica com a especificação correta foi enviado para a área de instalação e existe comprimento de cabo suficiente para descarnar e conectar os fios.
- O cabo de alimentação elétrica permanecerá dentro do seu limite de flexão durante e após a instalação.
- As ferramentas recomendadas estão disponíveis no local. Consulte [Ferramentas necessárias na página 429](#).
- As buchas, parafusos e broca de perfuração utilizados para instalar a estação de carregamento são adequados para a estrutura da parede.
- Se for utilizada uma configuração de cluster, deverá ser planeada a ordem correta das fases e os requisitos deverão ser cumpridos. Consulte [Opcional: load balancing \(estabilização de carga\) de cluster na página 433](#).

PT

#### 4.1.2. Ferramentas necessárias



1. Berbequim
2. Broca de perfuração para alvenaria, 8 mm
3. Chave de fendas de torque com porta-pontas, 0,5–3 Nm
4. Nível de bolha
5. Lápis
6. Descarnador de fios (cabo de alimentação)
7. Ferramenta de engaste de virola
8. Descarnador de fios e ferramenta de engaste (RJ45)
9. Fita métrica
10. Alicates
11. Broca de chave de parafusos, PH2
12. Chave dinamométrica, 3–6 Nm

#### 4.1.3. Requisitos da fonte de alimentação

##### PERIGO

A ligação da estação de carregamento à corrente elétrica que não a especificada nesta secção resultará na incompatibilidade da instalação e no risco de choque elétrico, o que causará a danificação da estação de carregamento e ferimentos ou morte.

- Ligue a estação de carregamento apenas numa configuração que seja especificada nesta secção.

Sistema de ligação à terra	Sistemas TN-S e TNC-S	Cabo em polietileno.
	Sistema TT Sistema IT	Eléctrodo de terra instalado separadamente (autoinstalado).
Entrada de corrente (fase)	Monofásica	230 V ± 10%, até 32 A ± 6%, 50/60 Hz.
	Trifásica	400 V ± 10%, até 32 A ± 6%, 50/60 Hz.

DM (Disjuntor em miniatura)	<ul style="list-style-type: none"> <li>Característica de disparo: Tipo C.</li> <li>A corrente de disparo do DM pode diminuir se a temperatura ambiente no quadro de alimentação elétrica se tornar elevada. Considere potenciais temperaturas ambientes mais elevadas ao escolher as especificações do DM.</li> <li>Não necessário para estações com um RCBO incorporado.</li> </ul> <p><b>Nota</b></p> <ul style="list-style-type: none"> <li>A instalação, incluindo o DM, deve estar de acordo com a norma IEC 60364 e quaisquer normas locais aplicáveis.</li> <li>O DM deve corresponder às configurações de amperagem da estação de carregamento e à corrente máxima disponível para a estação de carregamento, de acordo com as especificações do fabricante do DM.</li> <li>O valor <math>I^2t</math> máximo do DM não deve exceder 75.000 A<sup>2</sup>s.</li> </ul>
DDR (Dispositivo Diferencial Residual)	<ul style="list-style-type: none"> <li>Índice de amperagem do DDR: o índice deve corresponder à amperagem da estação de carregamento.</li> <li>Instalações padrão:             <ul style="list-style-type: none"> <li>Em França, o DDR deve ser um Tipo B com uma corrente nominal de 20 A ou 40 A, e ter uma deteção de fugas de corrente de CA de no máximo 30 mA.</li> <li>Noutros países, o DDR deve ser um Tipo A, F ou B com uma corrente nominal de 20 A, 32 A ou 40 A, e ter uma deteção de fugas de corrente de CA de no máximo 30 mA.</li> </ul> </li> <li>Instalações EV Ready: o DDR deve ser um Tipo A+, de alta imunidade (por exemplo: HPI, SI, HI, KV, etc. dependendo do fabricante do DDR).</li> <li>Não necessário para estações com um RCBO incorporado.</li> </ul> <p><b>Nota</b></p> <ul style="list-style-type: none"> <li>A instalação, incluindo o DDR, deve estar de acordo com a norma IEC 60364 e quaisquer normas locais aplicáveis.</li> <li>A estação de carregamento tem deteção de fugas de CC interna com tempos e limites de disparo que obedecem à norma IEC 61851-1:2017 Cl. 8.5. (de acordo com a norma IEC 62955:2018 Tabela 2).</li> </ul>

### Cablagem da corrente elétrica

As tabelas abaixo descrevem o modo de ligar a fonte de alimentação à estação de carregamento, dependendo do tipo de alimentação elétrica e da configuração da estação.

#### AVISO

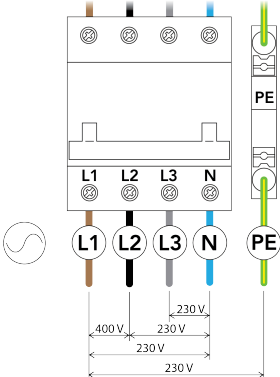
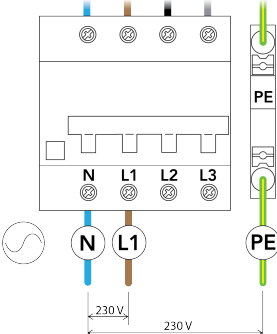
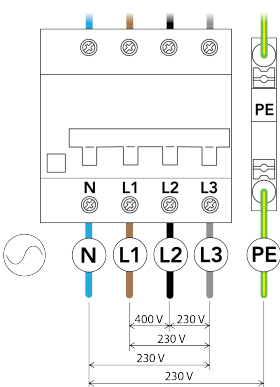
Ligar uma fonte de alimentação IT (sem neutro) a um RCBO de Tipo A incorporado pode resultar na danificação da estação de carregamento, o que, por sua vez, pode provocar ferimentos ou morte.

- Ligue apenas uma alimentação elétrica trifásica TN ou TT (com neutro) a um RCBO de Tipo A incorporado.

### Alimentação elétrica TN e TT para o RCBO

#### Nota

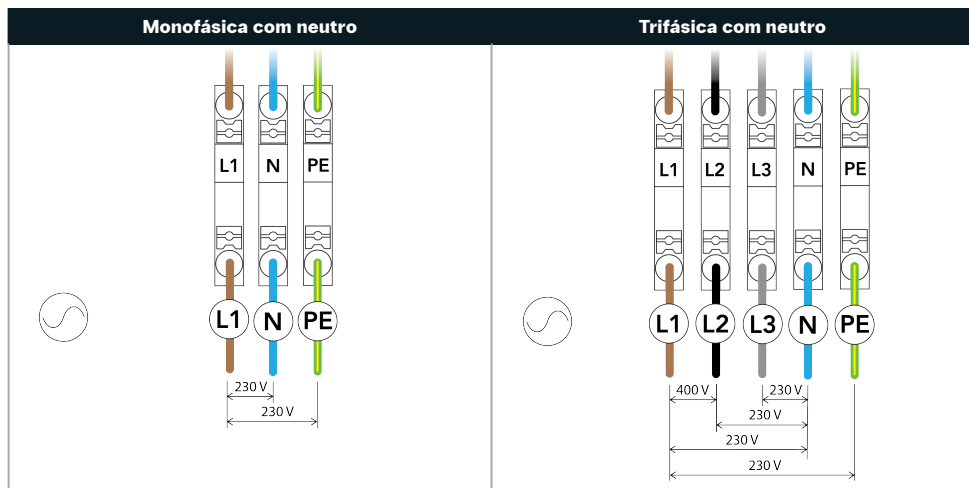
Esta secção é apenas aplicável a estações com um RCBO incorporado.

Configuração da estação	Monofásica com neutro	Trifásica com neutro
<p>RCBO tipo A Número do artigo da estação: Q*****8*...*</p>	<p><b>⚠ CUIDADO</b> Não suportado. Não ligue uma fonte monofásica a uma estação com um RCBO trifásico mais neutro.</p>	
<p>RCBO tipo B Número do artigo da estação: Q*****1*...*</p>	 <p><b>⚠ CUIDADO</b> Não utilize os terminais L2 e L3.</p>	

PT

**Alimentação elétrica TN e TT**

**i** **Nota**  
Esta secção é apenas aplicável a estações sem um RCBO (disjuntor de corrente diferencial residual com proteção contra sobretensões) incorporado.



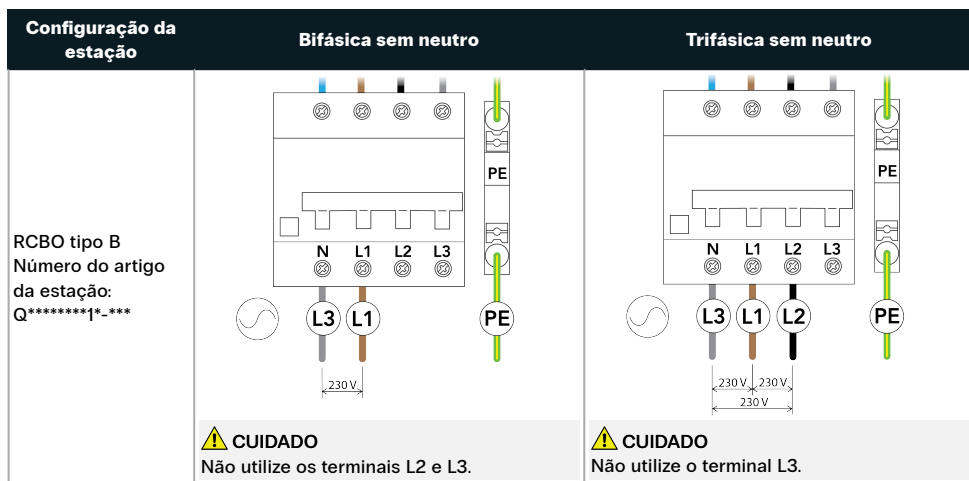
### Fonte de alimentação IT (sem neutro) ao RCBO

#### ⚠ CUIDADO

Certifique-se de que as normas locais permitem a instalação desta estação de carregamento numa rede IT sem neutro. Certifique-se de que o VE é compatível com este tipo de instalação.

#### 📌 Nota

Esta secção é apenas aplicável a estações com um RCBO incorporado.



### Fonte de alimentação IT (sem neutro)

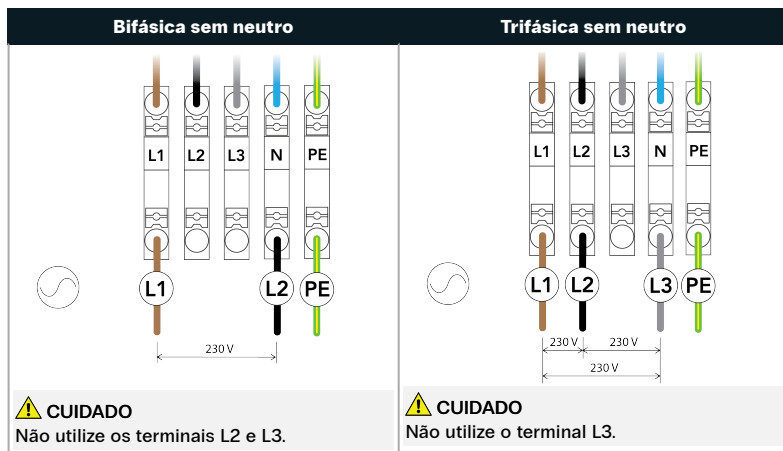
#### ⚠ CUIDADO

Certifique-se de que as normas locais permitem a instalação desta estação de carregamento numa rede IT sem neutro. Certifique-se de que o VE é compatível com este tipo de instalação.

#### 📌 Nota

Esta secção é apenas aplicável a estações sem um RCBO (disjuntor de corrente diferencial residual com proteção contra sobretensões) incorporado.





#### 4.1.4. Opcional: load balancing (estabilização de carga) dinâmico

O load balancing (estabilização de carga) dinâmico monitoriza o consumo de energia de todos os aparelhos elétricos utilizando a mesma fonte de alimentação. O fornece um sinal de controlo à estação de carregamento para regular a potência que a estação fornece ao VE, o que mantém o consumo de energia total a partir da fonte de alimentação dentro de limites predefinidos. Numa instalação de cluster, a estação de carregamento ligada regula as outras estações de carregamento ligadas no cluster.

A load balancing (estabilização de carga) dinâmico requer uma entrada com fios a partir de um sistema de deteção de estabilização de carga (consulte [Comunicação da estação de carregamento na página 444](#)).

#### 4.1.5. Opcional: load balancing (estabilização de carga) de cluster

Uma instalação de load balancing (estabilização de carga) de cluster consiste em várias estações de carregamento ligadas num cluster. Um cluster permite que uma smart grid (rede elétrica inteligente) seja estabelecida através da totalidade do cluster para otimizar a utilização de energia. Qualquer estação pode ser utilizada como a estação ligada no cluster. O cluster é configurado utilizando a EVBox Install App. Para load balancing (estabilização de carga) correta, um cluster deve estar ligado a um circuito de alimentação elétrica individual.

A load balancing (estabilização de carga) de cluster requer que cada estação no cluster esteja ligada à mesma rede de área local (LAN) utilizando a ligação de Ethernet (consulte [Comunicação da estação de carregamento na página 444](#)).

#### Requisitos de Load Balancing (estabilização de carga) de cluster

Comutador Ethernet	<ul style="list-style-type: none"> <li>• Suporte IPv6</li> <li>• Não gerido</li> <li>• Número de portas: o número de portas deve ser igual ou superior ao número de estações ligadas ao cluster.</li> <li>• Porta RJ45</li> <li>• 100 Mbps ou mais</li> <li>• Multidifusão estática: desativado</li> <li>• Multidifusão dinâmica (MLD snooping): desativado</li> </ul> <p><b>i Nota</b></p> <ul style="list-style-type: none"> <li>◦ Para clusters de grandes dimensões, podem ser combinados dois ou mais comutadores na mesma rede.</li> <li>◦ É necessária uma porta adicional se o comutador for utilizado para estabelecer uma ligação à Internet.</li> </ul>
--------------------	--

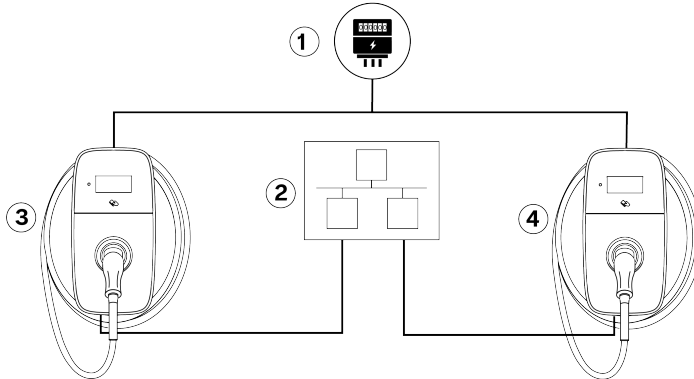
Cabos	<ul style="list-style-type: none"> <li>• CAT5</li> <li>• Comprimento: 100 m de comprimento máximo para cada nó do cluster</li> </ul>
-------	--

### Diagrama de ligação

O seguinte diagrama descreve como várias estações de carregamento são ligadas para formar um cluster.

#### Nota

O diagrama não inclui a ligação à Internet da estação de carregamento. A ligação à Internet da estação de carregamento pode ser configurada através do telemóvel ou de uma ligação Wi-Fi ou Ethernet.



- |                         |                       |
|-------------------------|-----------------------|
| 1. Fonte de alimentação | 3. Carregador de CA 1 |
| 2. Comutador Ethernet   | 4. Carregador de CA N |

### Rotação de fases

Para evitar a sobrecarga da primeira fase com veículos elétricos monofásicos, a ordem das fases para cada estação de carregamento ligada a uma alimentação trifásica numa instalação com partilha de energia deve ser configurada utilizando a EVBox Install App.

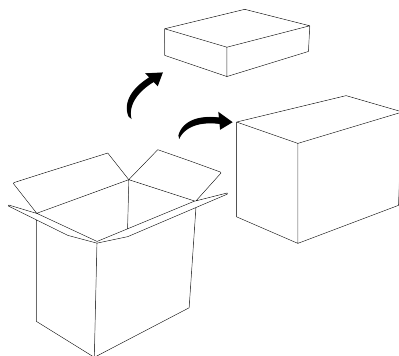
#### 4.1.6. Apenas para países aplicáveis: controlo remoto de potência por OSD

De acordo com as Normas de Ligação Técnica VDE-AR-N-4100:2019-04 Cl. 10.6.4, uma estação de carregamento com um nível de potência total de mais de 12 kVA deve ter uma interface de controlo remoto de potência para permitir o encerramento remoto da estação pelo Operador de Sistema de Distribuição (OSD). Esta estação de carregamento pode ser ligada por cabo a um dispositivo de OSD a montante equipado com um relé normalmente aberto (NA). Quando o relé se fecha, a estação entra num estado de suspensão e o carregamento é pausado. O carregamento é retomado quando o relé abre. Consulte [Apenas para países aplicáveis: ligue o cabo de controlo de potência remoto na página 448](#) para instruções de ligação do cabo.

É necessário o registo com o OSD.

## 4.2. Desembalagem

1. Abra a caixa de envio. Remova a caixa da tampa e a caixa da estação de carregamento.

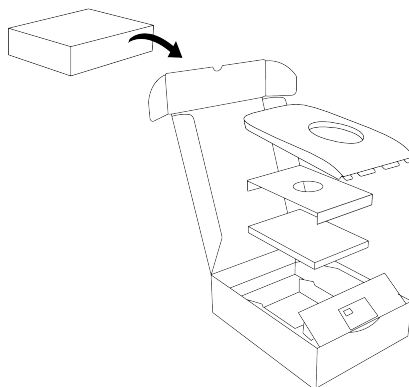


2. Abra a caixa da tampa. Identifique a tampa frontal, o Pacote de Boas-Vindas (opcional), a documentação da estação de carregamento e o cartão SIM (opcional).

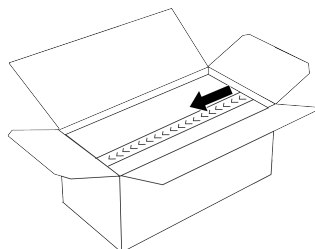


### Nota

Para prevenir danos, deixe a tampa frontal na embalagem até à instalação.



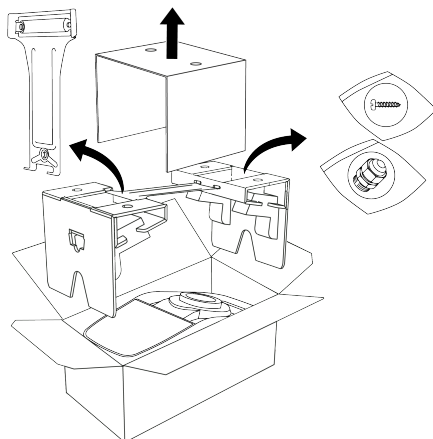
3. Abra a caixa da estação.



4. Remova os três preenchimentos de cartão, a braçadeira de parede e os kits de instalação.

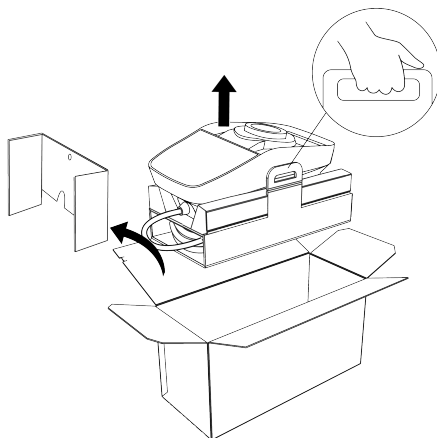
**i** Nota

Para prevenir danos, deixe a estação de carregamento e o cabo na embalagem até à instalação.

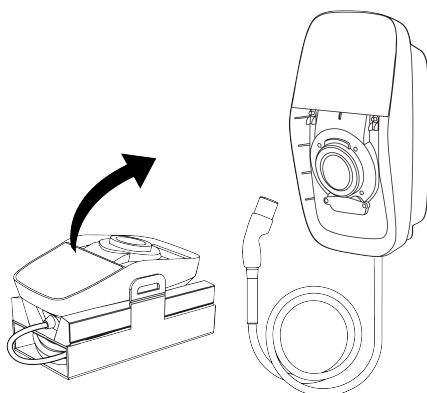


5. Quando for possível instalar a estação na braçadeira de parede, remova a estação de carregamento da embalagem como se segue:

- a. Retire o molde de cartão e, em seguida, levante a embalagem com a estação de carregamento e o cabo da caixa da estação.



- b. Remova a estação de carregamento e o cabo de carregamento da embalagem.

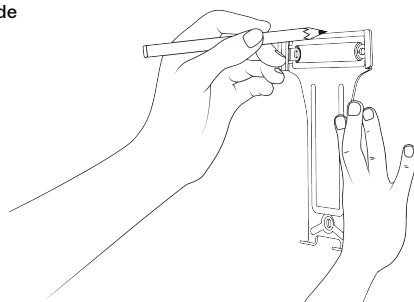


### 4.3. Instale a braçadeira de parede e a estação de carregamento

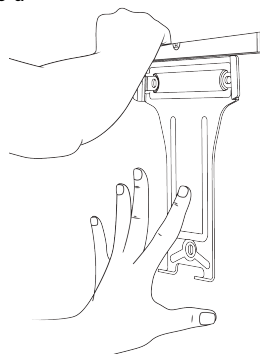
**⚠ CUIDADO**

Siga as recomendações em [Planeamento da instalação na página 428](#) ao selecionar um local e uma altura de instalação para a estação de carregamento, e ao escolher uma entrada do cabo de alimentação.

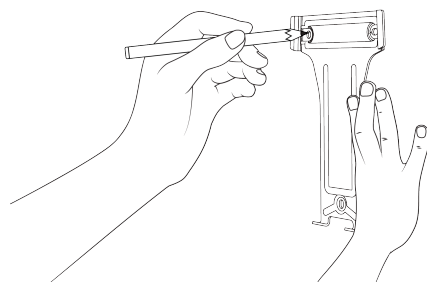
1. Instale a braçadeira de parede como se segue:
  - a. Marque a altura da parte superior da braçadeira de parede.



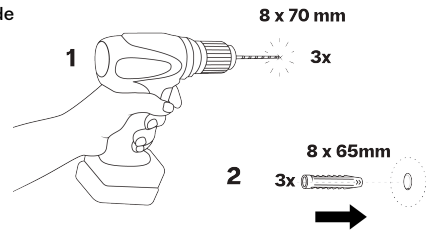
- b. Segure a braçadeira de parede na parede e nivele-a utilizando um nível de bolha.



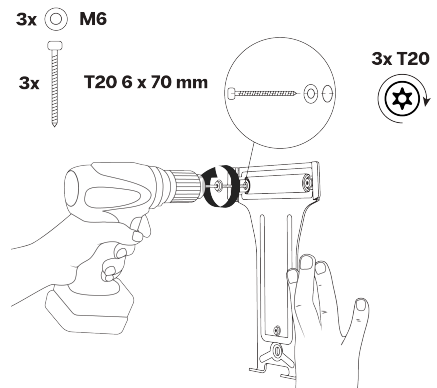
- c. Marque os três pontos de aparafusamento na parede. Remova a braçadeira de parede.



- d. Perfure um orifício de 8 mm até uma profundidade de 70 mm em cada ponto de aparafusamento. Instale uma bucha de fixação de 8 x 65 mm em cada orifício.

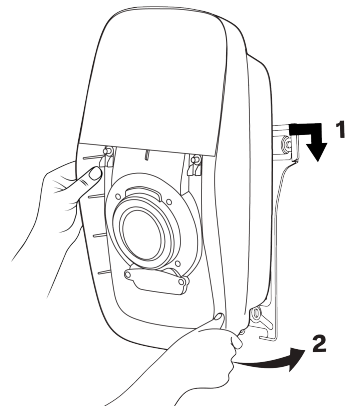


- e. Instale a braçadeira de parede utilizando três parafusos T20 de 6 x 70 mm e anilhas M6.



2. Instale a estação de carregamento como se segue:

- a. Engate a estação de carregamento com a parte superior da braçadeira de parede, depois gire a estação de carregamento para baixo para alinhar os dois orifícios de aparafusamento inferiores.



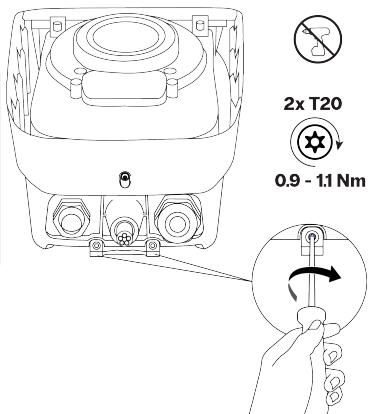
#### 4. Instruções de instalação

- b. Instale dois parafusos de segurança Torx T20 para unir a estação de carregamento à braçadeira de parede.

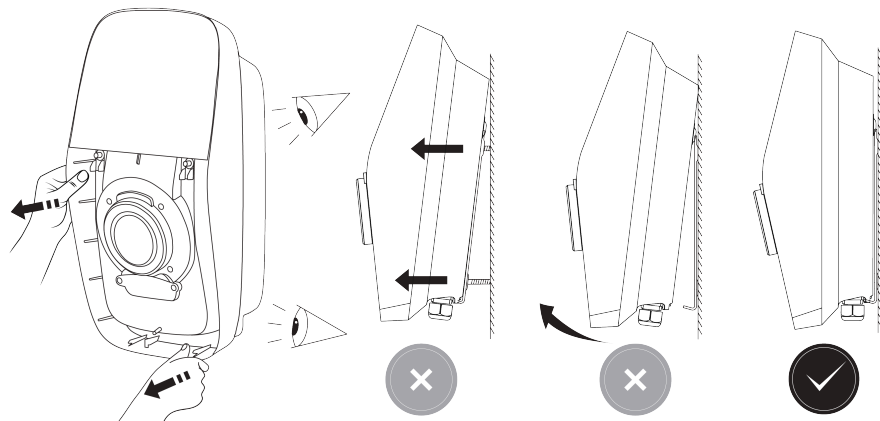
##### ⚠ CUIDADO

A utilização de uma chave de parafusos elétrica com um torque elevado pode danificar os parafusos e componentes.

- Utilize apenas uma chave de parafusos de baixo torque com a definição de torque correta.



- c. Puxe suavemente a estação de carregamento para se certificar de que está unida de forma fixa à braçadeira de parede e à parede.



#### 4.4. Ligue o cabo de alimentação

A estação de carregamento tem dois prensa-cabos intercambiáveis:

- O prensa-cabos instalado é para um cabo de alimentação com um diâmetro de bainha de 13 a 25 mm.
- O kit de prensa-cabos é para um cabo de alimentação com um diâmetro de bainha de 12 a 20 mm.

Os terminais aceitam uma espessura de fio no seguinte intervalo:

- Fio sólido: máximo 16 mm<sup>2</sup>.
- Fio flexível com virola (sem manga de plástico): máximo 10 mm<sup>2</sup>.

O cabo de alimentação pode entrar na estação de carregamento pela parte superior ou pela parte inferior. A entrada do cabo pela parte inferior A pode ser utilizada em qualquer local. A entrada do cabo pela parte superior B deve ser utilizada apenas num local onde não exista risco de exposição à chuva ou humidade.

##### ⚠ CUIDADO

Siga as recomendações em [Planeamento da instalação na página 428](#) ao selecionar o ponto de entrada do cabo de alimentação para a estação de carregamento.

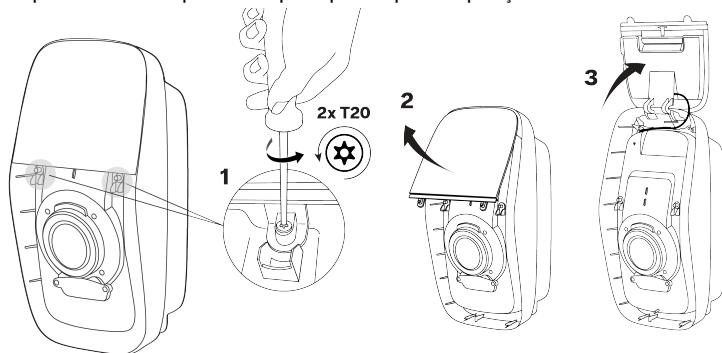
##### **i** Nota

A entrada do cabo de comunicação ocorre apenas através da parte inferior da estação de carregamento.

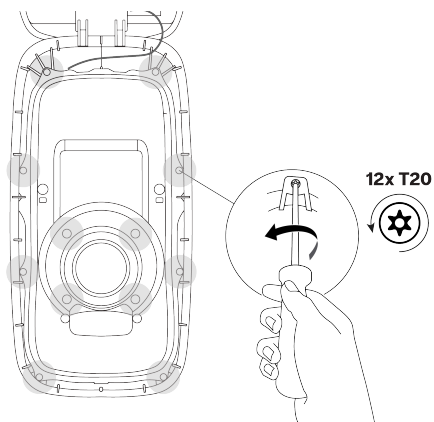
**i Nota**

Todos os parafusos de segurança Torx T20 são cativos. Não remova completamente os parafusos cativos da estação de carregamento.

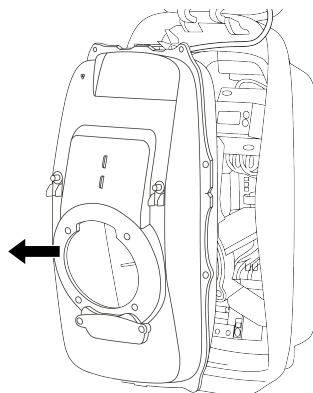
1. Remova a tampa interior como se segue:
  - a. Solte os dois parafusos de segurança Torx T20 que fixam a tampa do ecrã. Abra completamente a tampa do ecrã para que bloqueie na posição aberta.



- b. Solte os 12 parafusos cativos de segurança Torx T20 que unem a tampa interior.



- c. Remova a tampa interior.



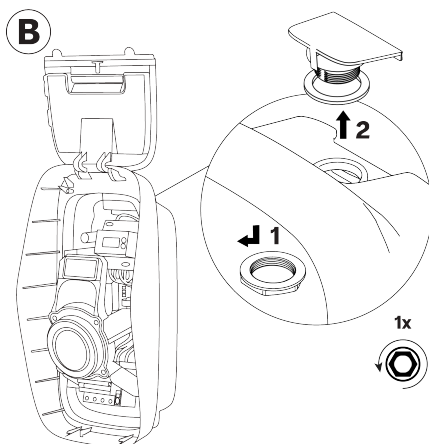
2. Para a entrada do cabo pela parte superior B: prepare a entrada superior para o cabo de alimentação



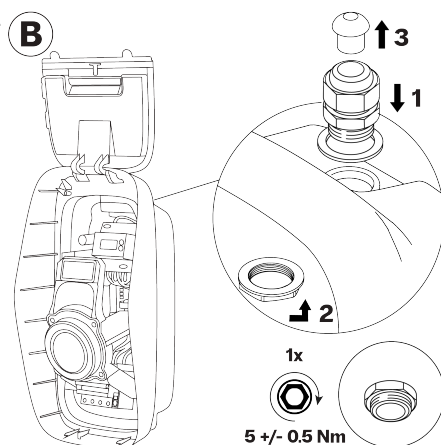
#### 4. Instruções de instalação

como se segue:

- a. Remova a porca que fixa a tampa na entrada superior. Remova a tampa.  
Guarde a porca para a utilizar no prensa-cabos.  
Armazene a tampa na embalagem.



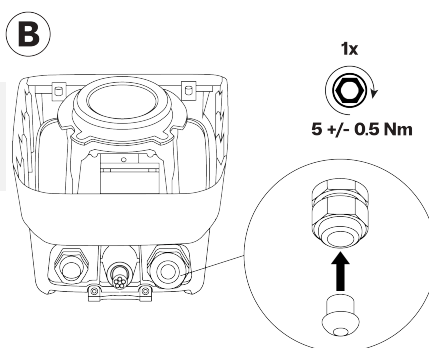
- b. Instale o prensa-cabos e o selo na entrada superior.  
Instale e aperte a porca.  
Remova a ficha de supressão do prensa-cabos e  
guarde-a para utilização posterior.



- c. Instale a ficha de supressão no prensa-cabos não  
utilizado na parte inferior da estação de  
carregamento.

**⚠ CUIDADO**

Certifique-se de que a ficha de supressão é  
instalada no prensa-cabos para manter o grau de  
Proteção IP da estação de carregamento.

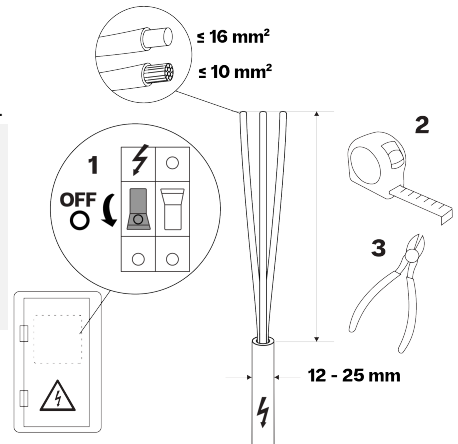


PT

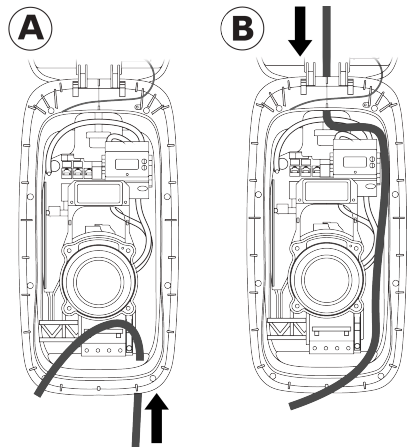
3. Corte o cabo de alimentação e descarte a bainha exterior de modo que o cabo e os seus fios tenham comprimento suficiente para ligar ao RCBO e bloco terminal PE na estação de carregamento. Se for requerido, instale isolamento extra nos fios individuais.

**⚠ CUIDADO**

Para proteger os circuitos de Tensão Extra Baixa Separada (SELV), os fios isolados individualmente descarnados não devem tocar nos componentes da placa principal. Quando for requerido, instale isolamento duplo nos fios individuais, por exemplo, utilizando tubos termorretráteis ou mangas de isolamento.



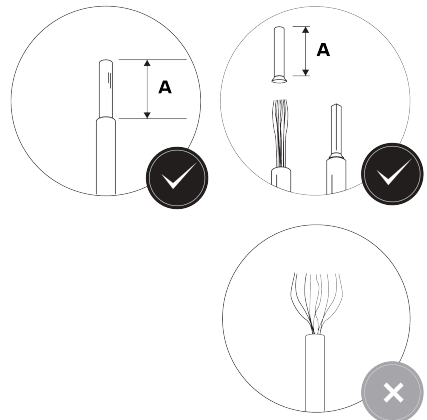
4. Passe o cabo de alimentação para dentro da estação de carregamento utilizando a entrada do cabo pela parte inferior A ou entrada do cabo pela parte superior B. Encaminhe o cabo de alimentação para os pontos de ligação. Deixe comprimento suficiente para descarnar e ligar os fios.



5. Descarne as extremidades dos fios do cabo de alimentação:

- Para um RCBO, A = 12 mm
- Para um bloco terminal, A = 18 mm

Quando forem utilizados fios flexíveis, instale mangas de extremidade de fio e aplique um engaste quadrado para um encaixe perfeito no RCBO e bloco terminal PE.



#### 4. Instruções de instalação

6. No caso de uma estação com um RCBO incorporado: ligue o cabo de alimentação conforme se segue:

**⚠ AVISO**

A ligação incorreta dos fios de alimentação pode resultar no risco de choque elétrico e consequentemente resultar na danificação da estação de carregamento, e ferimentos ou morte.

- Certifique-se de que os fios de alimentação estão ligados de forma fixa.

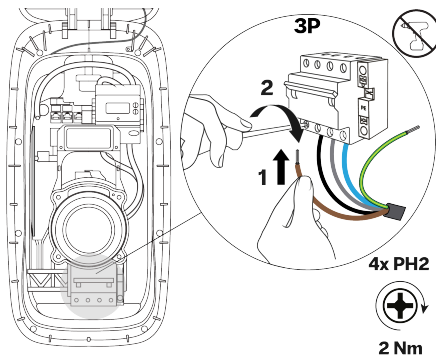
**i Nota**

Ligue os fios de acordo com os esquemas de cablagem da fonte de alimentação em [Requisitos da fonte de alimentação na página 429](#).

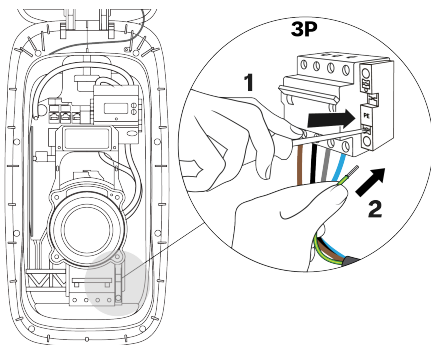
**i Nota**

Os RCBO de Tipo B devem ser instalados ao contrário nas estações de carregamento.

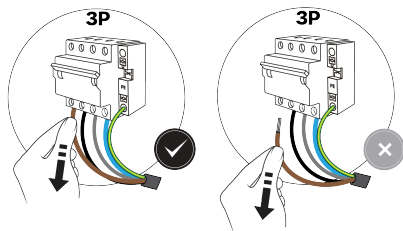
- a. Ligue os fios do cabo de alimentação ao RCBO. Aperte os parafusos para fixar os fios.



- b. Ligue o fio PE do cabo de alimentação ao bloco terminal PE.



- c. Puxe cada fio para verificar que cada fio está ligado de forma fixa.



PT

7. Para uma estação com blocos terminais: ligue o cabo de alimentação conforme se segue:

**⚠ AVISO**

A ligação incorreta dos fios de alimentação pode resultar no risco de choque elétrico e consequentemente resultar na danificação da estação de carregamento, e ferimentos ou morte.

- Certifique-se de que os fios de alimentação estão ligados de forma fixa.

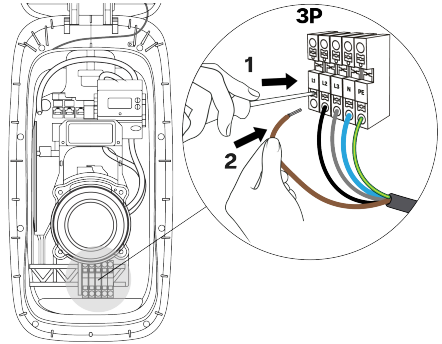
**i Nota**

Ligue os fios de acordo com os esquemas de cablagem da fonte de alimentação em [Requisitos da fonte de alimentação na página 429](#).

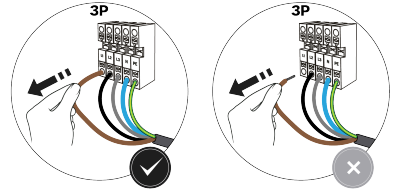
**i Nota**

As ilustrações mostram uma ligação trifásica com neutro.

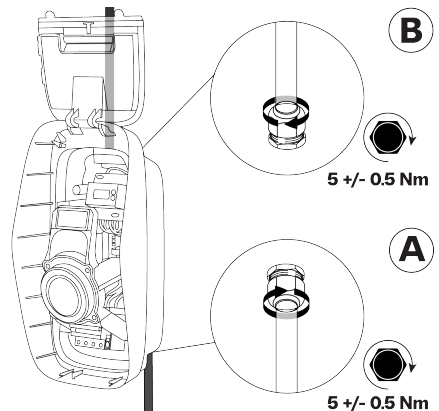
- a. Ligue os fios do cabo de alimentação aos blocos terminais.



- b. Puxe cada fio para verificar que cada fio está ligado de forma fixa.



8. Aperte o prensa-cabos para fixar o cabo de alimentação e para manter o grau de Proteção IP para a estação de carregamento.



## 4.5. Comunicação da estação de carregamento

A entrada do cabo de comunicação ocorre apenas através do prensa-cabos esquerdo na parte inferior da estação de carregamento. Podem entrar um máximo de quatro cabos de comunicação na estação de carregamento através do prensa-cabos.

## 4. Instruções de instalação

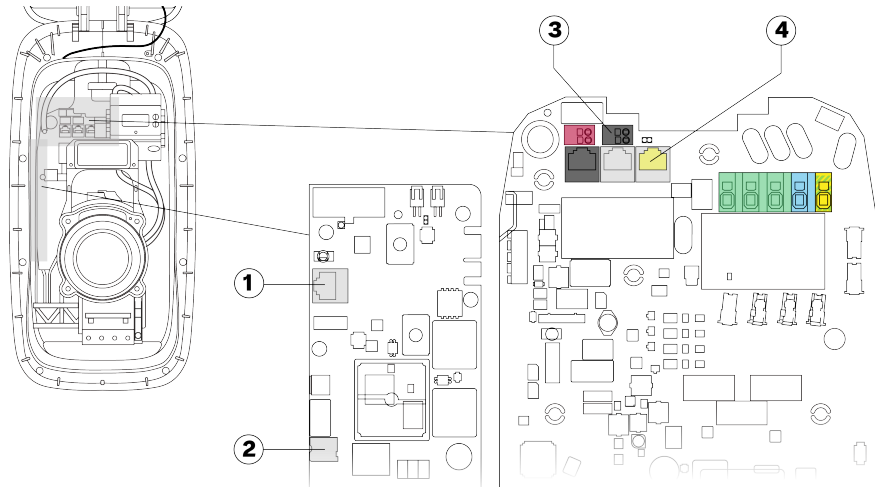
Existem três opções para ligar a estação de carregamento à Internet:

- Ethernet (opção recomendada)
- Wi-Fi (consulte [Configuração na página 454](#))
- Celular (cartão SIM)

### Ligações e componentes de comunicação

#### Nota

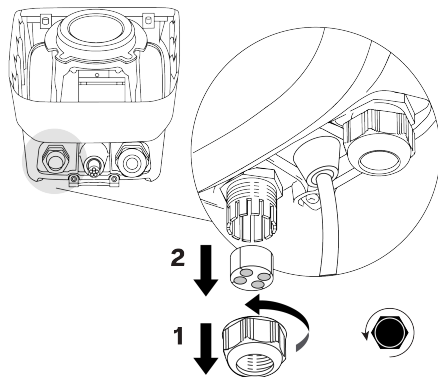
As ligações e componentes de comunicação utilizados dependem do modelo da estação de carregamento e da funcionalidade requerida.



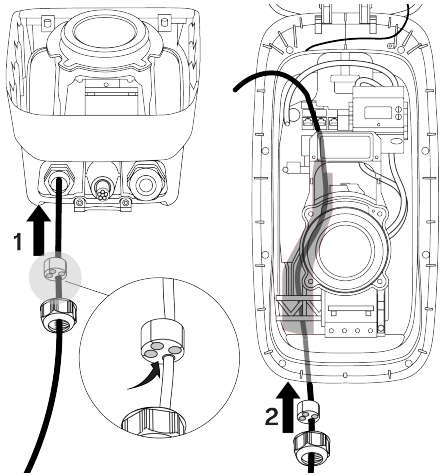
1. Tomada Ethernet para a ligação à Internet com fios
2. Ranhura para cartão Nano-SIM para a ligação móvel à Internet
3. Terminais para controlo de potência ativa (apenas para a Alemanha)
4. Tomada CT IN para load balancing (estabilização de carga) dinâmica

#### 4.5.1. Encaminhe os cabos de comunicação

1. Remova a porca do prensa-cabos e o selo do prensa-cabos esquerdo.



2. Passe os cabos de comunicação requeridos através da porca do prensa-cabos e do selo e, em seguida, através do prensa-cabos esquerdo na parte inferior da estação de carregamento. Passe os cabos através do canal de cabos para a parte superior da estação de carregamento.



PT

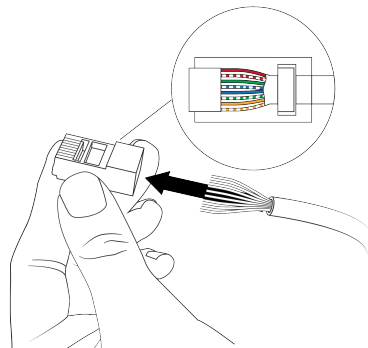
#### 4.5.2. Opcional: ligue o cabo de Ethernet para Internet

##### **i** Nota

Utilize qualquer cabo de rede de Cat5 e superior (Cat5, Cat5e, Cat6), com um par de cabos torcidos.

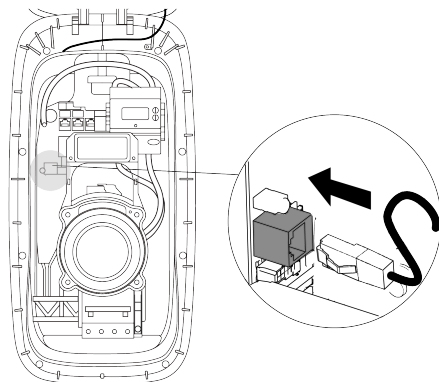
- A utilização de cabo de rede blindado é recomendada, mas não obrigatória.
- Se for utilizado um cabo blindado, não ligue a blindagem à terra.
- Para instalações no exterior, utilize um cabo de rede estabilizado para UV.
- Os cabos de rede podem ter uma ficha RJ45 pré-instalada, ou a ficha RJ45 pode ser instalada antes ou após passar o cabo de rede para dentro da estação de carregamento.

1. Se não estiver pré-instalada uma ficha RJ45, instale uma ficha RJ45 no cabo de rede.



#### 4. Instruções de instalação

2. Ligue a ficha RJ45 do cabo de rede à tomada de Ethernet na placa de comunicações.



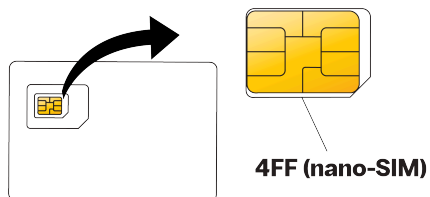
PT

#### 4.5.3. Opcional: instale cartão SIM para Internet

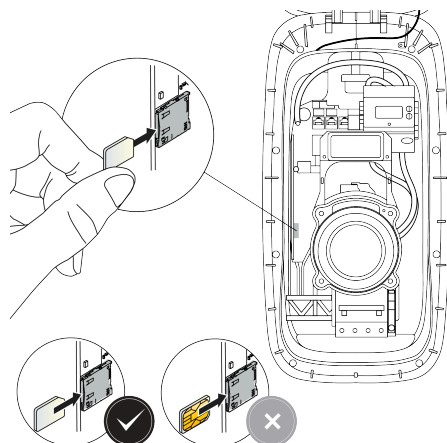
##### Nota

Apenas são suportados determinados cartões SIM.

1. Remova o cartão SIM 4FF (nano-SIM) do seu cartão.



2. Empurre e bloqueie o cartão SIM 4FF (nano-SIM) na ranhura na placa de comunicações. Os contactos do cartão SIM devem estar voltados para a placa de comunicações.



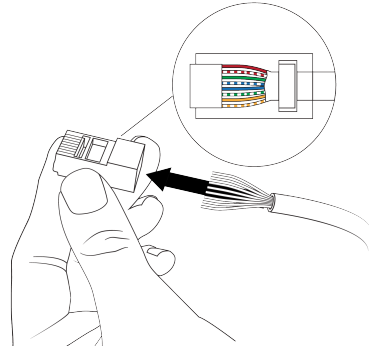
#### 4.5.4. Opcional: ligue o cabo de load balancing (estabilização de carga) dinâmica

##### **i** Nota

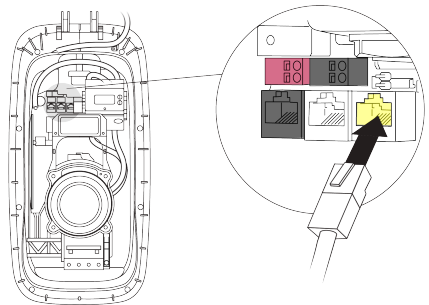
Utilize qualquer cabo de rede de Cat5 e superior (Cat5, Cat5e, Cat6), com um par de cabos torcidos.

- A utilização de cabo de rede blindado é recomendada, mas não obrigatória.
- Se for utilizado um cabo blindado, não ligue a blindagem à terra.
- Para instalações no exterior, utilize um cabo de rede estabilizado para UV.
- Os cabos de rede podem ter uma ficha RJ45 pré-instalada, ou a ficha RJ45 pode ser instalada antes ou após passar o cabo de rede para dentro da estação de carregamento.

1. Se não estiver pré-instalada uma ficha RJ45, instale uma ficha RJ45 no cabo de rede.



2. Ligue a ficha RJ45 do cabo de rede à tomada CT IN.



#### 4.5.5. Apenas para países aplicáveis: ligue o cabo de controlo de potência remoto

Os blocos terminais aceitam uma espessura de fio no seguinte intervalo:

- Fio sólido: máximo 1,5 mm<sup>2</sup>.
- Fio flexível com virola (sem manga de plástico): máximo 1,5 mm<sup>2</sup>.

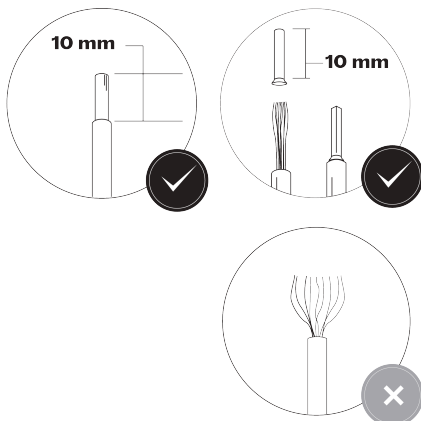
Utilize cabo com isolamento duplo que seja resistente a temperaturas de até 90 °C.



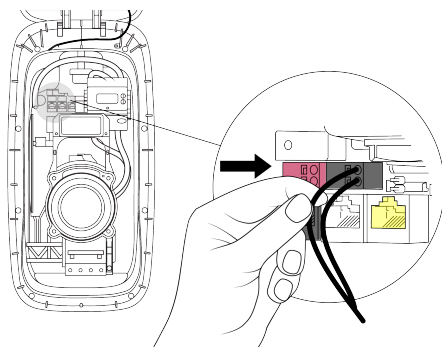
#### 4. Instruções de instalação

1. Descarte as extremidades dos fios do cabo de controlo de potência ativa.

Quando forem utilizados fios flexíveis, instale virolas (sem mangas de plástico) e aplique um engaste quadrado para um encaixe perfeito nos blocos terminais.



2. Ligue os fios de controlo de potência ativa ao bloco terminal preto (entrada digital 1).



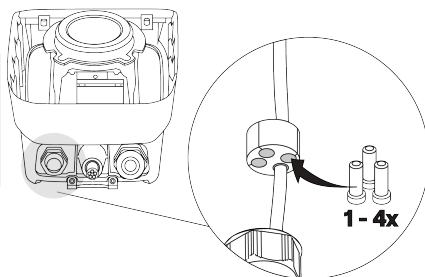
3. Ligue a outra extremidade do cabo de controlo de potência ativa a um dispositivo de controlo de OSD com contactos normalmente abertos (NA).

#### 4.5.6. Aperte o prensa-cabos

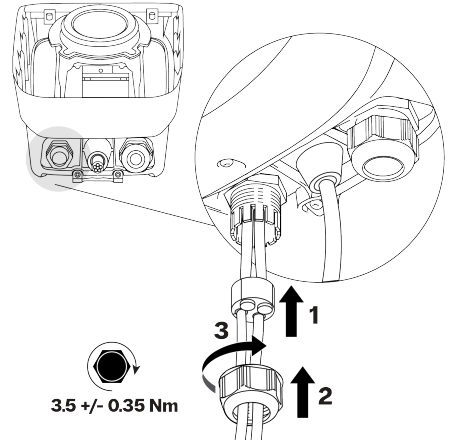
1. Instale fichas de supressão nas entradas não utilizadas no selo do prensa-cabos.

##### **⚠ CUIDADO**

Garanta que são colocadas fichas de supressão nos pontos de entrada não utilizados no prensa-cabos para manter o grau de Proteção IP da estação de carregamento.



2. Mova o selo do prensa-cabos para cima e para dentro do prensa-cabos, depois aperte o prensa-cabos para fixar os cabos de rede e as fichas de supressão.



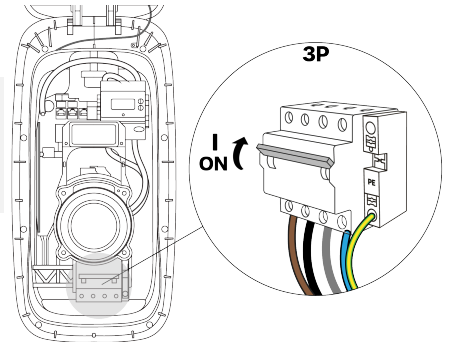
PT

#### 4.6. Instale as tampas da estação de carregamento

1. No caso de uma estação com um RCBO incorporado: certifique-se de que o RCBO está ativado na estação de carregamento.

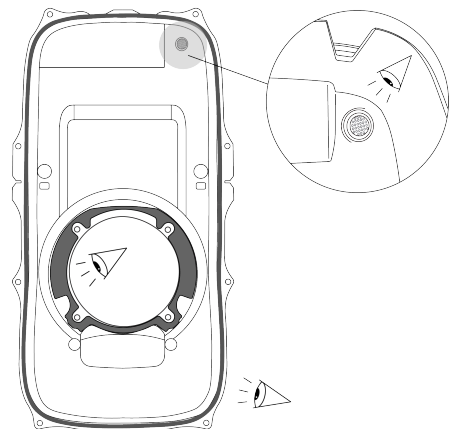
**i Nota**

Os RCBO de Tipo B devem ser instalados ao contrário nas estações de carregamento. Se a estação de carregamento tiver um RCBO de tipo B, as direções para ligar e desligar serão ao contrário.



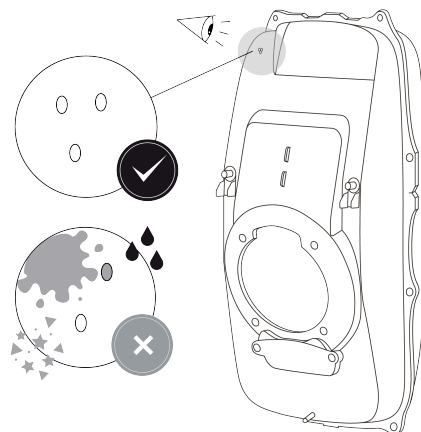
2. Antes da instalação, verifique a tampa interior como se segue:

- a. Na parte interior, verifique que o selo da tampa interior e o selo central estão limpos e que não apresentam danos. Verifique que a membrana de ventilação está fixa e que não apresenta danos.



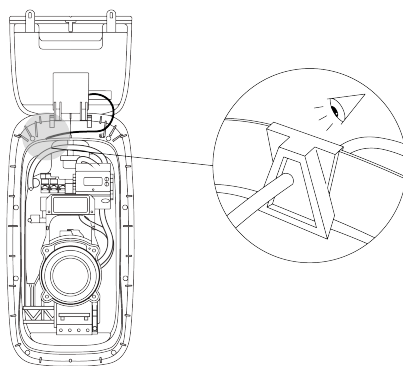
#### 4. Instruções de instalação

- b. Na parte exterior, verifique que os três orifícios de ventilação não estão bloqueados por água, poeira ou detritos.

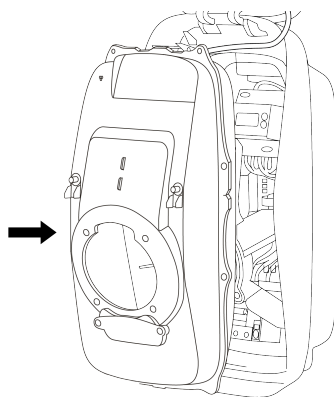


PT

- 3. Na estação de carregamento, verifique que o selo para passagem do cabo do ecrã está corretamente instalado.



- 4. Instale a tampa interior como se segue:
  - a. Engate a parte inferior da tampa por debaixo do orifício central, depois empurre a parte superior da tampa para posição.



- b. Aperte os 12 parafusos cativos de segurança Torx T20 pela ordem mostrada, para fixar a tampa interior.

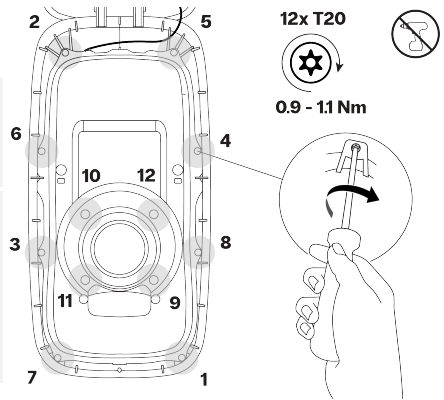
**⚠ CUIDADO**

Risco de entrada de água. A chuva e a humidade podem entrar na estação de carregamento se os parafusos não forem apertados na ordem correta.

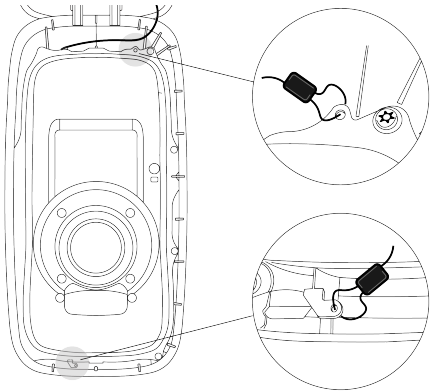
**⚠ CUIDADO**

A utilização de uma chave de parafusos elétrica com um torque elevado pode danificar os parafusos e componentes.

- Utilize apenas uma chave de parafusos de baixo torque com a definição de torque correta.



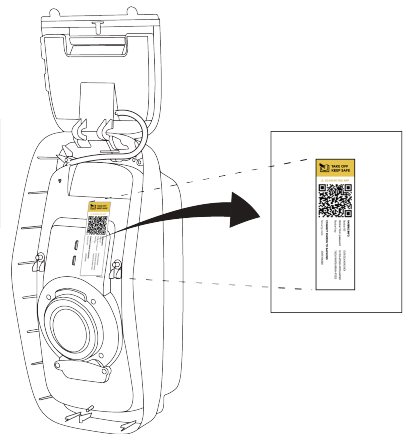
- c. Opcional: instale dois selos invioláveis nos cantos superior direito e inferior esquerdo da tampa interior.



5. Remova a etiqueta contendo a informação específica da estação de carregamento da tampa interior. Armazene a etiqueta com a documentação da estação de carregamento. A informação na etiqueta é requerida durante a configuração.

**⚠ CUIDADO**

Para prevenir o acesso não autorizado às definições da estação de carregamento, não deixe a etiqueta com a estação de carregamento.



6. Instale a tampa do ecrã e a tampa frontal conforme se segue:

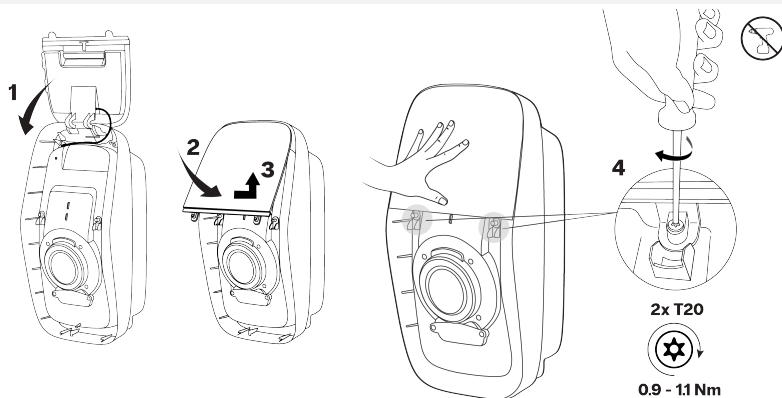
#### 4. Instruções de instalação

- a. Feche a tampa do ecrã e mantenha-a fechada. Fixe a tampa do ecrã utilizando dois parafusos cativos de segurança Torx T20.

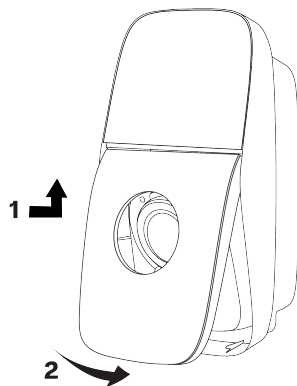
**⚠ CUIDADO**

A utilização de uma chave de parafusos elétrica com um torque elevado pode danificar os parafusos e componentes.

- Utilize apenas uma chave de parafusos de baixo torque com a definição de torque correta.



- b. Engate a margem superior da tampa frontal sob a margem inferior da tampa do ecrã, depois gire a tampa para baixo para alinhar o orifício de aparafusamento inferior.

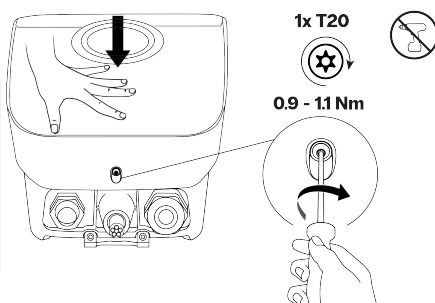


- c. Empurre a tampa frontal contra a mola. Aperte o parafuso de segurança Torx T20 para fixar a tampa frontal na estação de carregamento.

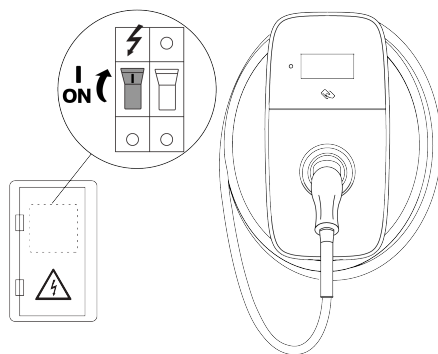
**⚠ CUIDADO**

A utilização de uma chave de parafusos elétrica com um torque elevado pode danificar os parafusos e componentes.

- Utilize apenas uma chave de parafusos de baixo torque com a definição de torque correta.



7. Enrole folgadoamente o cabo de carregamento à volta da estação de carregamento para armazenamento, e coloque a ficha de carregamento no suporte da ficha. Ligue a corrente da estação de carregamento. O anel LED acende-se com uma luz branca em rotação para indicar que a estação de carregamento está a inicializar.



A estação de carregamento está agora totalmente instalada. O anel LED emite uma luz branca que irá piscar duas vezes para indicar que a configuração pode ser iniciada.

## 4.7. Configuração

Para que a estação de carregamento funcione, deve estar ligada à Internet. Após estar ligada, recomenda-se ativar a estação de carregamento numa Plataforma de Gestão de Carregamento (CMP) para se beneficiar completamente de todas as características da estação de carregamento e assistência online.

A configuração deve ser concluída antes de a estação de carregamento poder ser utilizada.

### 4.7.1. Configure a estação de carregamento

#### AVISO

Risco de choque elétrico, o que pode causar ferimentos graves ou morte. A utilização da aplicação EVBox Install para configurar a estação de carregamento é da exclusiva competência de um electricista qualificado.

1. Faça download e instale a EVBox Install App no seu smartphone ou tablet.



2. Abra a EVBox Install App e siga as instruções na aplicação.  
As informações específicas da estação de carregamento necessárias para a sua configuração encontram-se na etiqueta removida durante a instalação.



## 5. Instruções para o utilizador

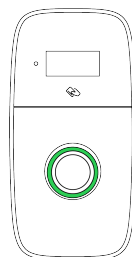
3. Utilizando a EVBox Install App, defina as seguintes definições chave para se certificar de que a estação de carregamento funciona de forma segura:
  - Corrente de carregamento máxima.
  - Conectividade à Internet.
  - Outras definições de configuração.

### 4.7.2. Opcional: ative a estação de carregamento com CMP

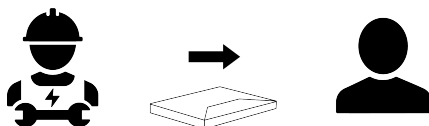
Para uma estação de carregamento online, deve ativar a estação de carregamento com a Plataforma de Gestão de Carregamento (CMP) na página web da CMP ou utilizando a aplicação específica da CMP. Contacte o Operador de Postos de Carregamento (CPO) para detalhes sobre o procedimento de ativação da estação de carregamento.

### 4.7.3. Pronta para utilização

A estação de carregamento estará pronta para carregar um VE quando as tampas estiverem instaladas na estação de carregamento, a colocação em funcionamento estiver completa e for mostrada uma luz verde constante no anel LED



Entregue toda a documentação ao proprietário. O proprietário deverá guardar toda a documentação entregue com a estação de carregamento num lugar seguro durante todo o ciclo de vida do produto.



## 5. Instruções para o utilizador

### PERIGO

O não seguimento das instruções do utilizador apresentadas no presente manual resultará no risco de choque elétrico, o que causará ferimentos graves ou morte.

- Leia as precauções de segurança e as instruções do utilizador neste manual antes de utilizar a estação de carregamento.
- Se não tiver a certeza sobre como utilizar a estação de carregamento, contacte o seu distribuidor para mais informações.

## 5.1. Iniciar e parar uma sessão de carregamento

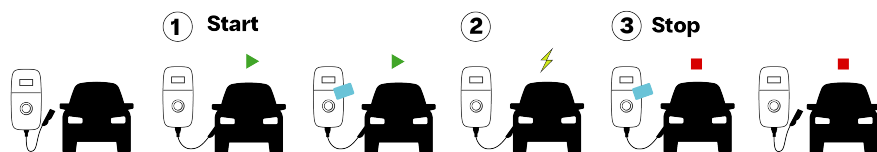
### Nota

As instruções da sessão de carregamento também são apresentadas no ecrã.

1. Iniciar o carregamento:
  - Remova a ficha do suporte da estação de carregamento, depois desenrole completamente o cabo de carregamento ao redor da estação de carregamento.
  - Ligue o cabo de carregamento ao seu veículo.
  - Se utilizar um cartão de carregamento ou chave fob, coloque-o à frente do leitor na estação de carregamento para começar a carregar.\*
2. O seu veículo está a carregar.

## 3. Parar o carregamento:

- Se utilizar um cartão de carregamento ou chave fob\*\*, coloque-o à frente do leitor na estação de carregamento para parar de carregar.\*
- Desligue o cabo de carregamento do seu veículo.
- Enrole o cabo de carregamento ao redor da estação de carregamento, depois coloque a ficha no suporte.



\* Quando a estação de carregamento estiver configurada para aceitar somente cartões de carregamento ou chaves fob.

\*\* Deve utilizar o mesmo cartão de carregamento ou chave fob que utilizou para iniciar a sessão de carregamento.

## 5.2. Indicação de estado

## Nota




O estado da estação de carregamento também é mostrado no ecrã.

## Nota

Algumas características e indicações de estado não estão disponíveis em todos os modelos.

Anel LED	Cor	Descrição do estado
	Branco (em rotação)	A estação de carregamento está a iniciar, ou o software está a ser atualizado.
	Branco (intermitente)	A estação de carregamento está a aguardar configuração utilizando o EVBox Install App.
	Verde (constante)	Inatividade. A estação de carregamento está pronta para ser carregada.
	Vermelho (constante)	Autenticação não aceite. A indicação muda para verde após 5 segundos.
	Azul (constante)	<ul style="list-style-type: none"> <li>• A estação de carregamento está a aguardar por um veículo.</li> <li>• O carregamento está em pausa.</li> </ul>
	Azul (a preencher-se desde baixo)	O veículo está a carregar.



Anel LED	Cor	Descrição do estado
	Verde (intermitente)	A sessão de carregamento está concluída. O veículo pode ser desconectado da estação de carregamento.
	Laranja (constante)	O carregamento é lento ou pausado devido à temperatura elevada. O carregamento será retomado automaticamente.
	Laranja (intermitente)	Falha na sessão de carregamento. Desconecte o veículo e tente novamente.

### 5.3. Manutenção por parte do utilizador

O utilizador da estação de carregamento é responsável pela condição da estação de carregamento, pelo qual deve ser observada tanto a lei relativa à segurança de pessoas, animais e propriedade, bem como as normas de instalação em vigor no país de utilização. Certifique-se de que a estação de carregamento e a sua instalação são inspecionadas regularmente por um electricista qualificado e em conformidade com as normas de instalação aplicáveis no seu país.

#### PERIGO

A exposição prolongada da estação de carregamento a água resultará no risco de choque elétrico, que causará ferimentos graves ou morte.

- Não dirija jatos fortes de água na direção ou para cima da estação de carregamento.
- Não coloque a ficha de carregamento em líquidos.

#### CUIDADO

Não utilize produtos de limpeza solventes ou químicos agressivos para limpar a estação de carregamento.

1. Remova a sujidade e a matéria orgânica natural do exterior da estação de carregamento utilizando um pano húmido e suave. Certifique-se de que o ecrã, o anel LED e o sensor de luz estão limpos.
2. Verifique visualmente a estação de carregamento, o cabo de carregamento e a ficha de carregamento. Se suspeitar que a estação, o cabo ou a ficha de carregamento estão danificados ou sujos, contacte um electricista qualificado para reparar ou substituir os componentes danificados.
3. Puxe suavemente a estação de carregamento para se certificar de que ainda está instalada de forma fixa. Certifique-se de que a tampa exterior da estação está fixa. Se a estação de carregamento ou a tampa estiverem soltas, contacte um electricista qualificado para reinstalar corretamente a estação.

### 5.4. Inicie sessão na estação de carregamento

Utilizando um smartphone, tablet ou laptop habilitado para Wi-Fi, o utilizador pode iniciar sessão na estação de carregamento para alterar as definições como Wi-Fi, e visualizar a licenças de software. Para obter instruções, consulte [help.evbox.com](http://help.evbox.com).



## 6. Resolução de problemas

### PERIGO

A reparação desta estação de carregamento por uma pessoa não qualificada resultará no risco de choque elétrico, o que causará ferimentos graves ou morte.

- A reparação da estação de carregamento é da exclusiva competência de um electricista qualificado.
- O utilizador não deve tentar reparar a estação de carregamento, dado que esta não contém peças que possam ser reparadas pelo utilizador.

### 6.1. Indicação de erro

Anel LED	Cor	Descrição do estado	Ação
	Vermelho (constante)	Ocorreu um erro.	Siga as instruções apresentadas no ecrã.
	Desligado	Falha na fonte de alimentação.	Verifique a corrente elétrica para a estação. Reinicie o DM ou o DDR no quadro de alimentação elétrica. No caso de uma estação com um RCBO incorporado, verifique se o RCBO está aberto (ver <a href="#">Aceda ao RCBO na página 458</a> ).

### Nota

Alguns estados de erro são resolvidos desligando a corrente e ligando-a novamente.

- Para estações sem um RCBO incorporado, desligue a corrente e depois ligue-a novamente no quadro de alimentação elétrica.
- Para estações com um RCBO incorporado, desligue a corrente e depois ligue-a novamente utilizando o RCBO

(consulte [Aceda ao RCBO na página 458](#)).

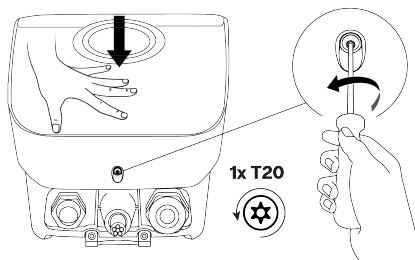
### 6.2. Aceda ao RCBO

Este procedimento apenas é aplicável para estações de carregamento que têm um RCBO incorporado. O RCBO é acessível através de uma tampa de acesso localizada na tampa interior. Antes de iniciar este procedimento, certifique-se de que está a ser fornecida corrente à estação de carregamento.

### Nota

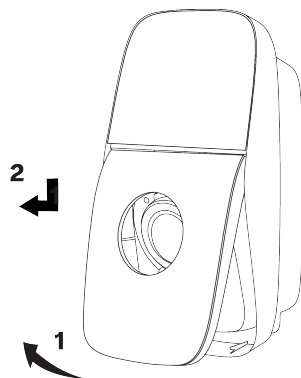
Todos os parafusos de segurança Torx T20 são cativos. Não remova completamente os parafusos cativos da estação de carregamento.

1. Se um VE estiver conectado à estação de carregamento, desconecte o VE.
2. Empurre a tampa frontal contra a mola, depois solte um parafuso cativo de segurança Torx T20 que fixa a tampa frontal à estação de carregamento.

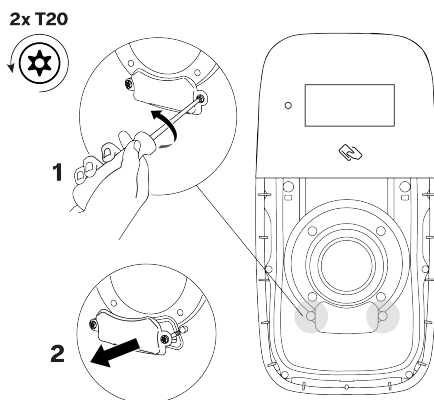


## 6. Resolução de problemas

3. Gire a tampa frontal para cima, depois desengate a margem superior da tampa frontal desde debaixo da margem inferior da tampa do ecrã.



4. Solte dois parafusos cativos de segurança Torx T20. Remova a tampa do RCBO da tampa interior.

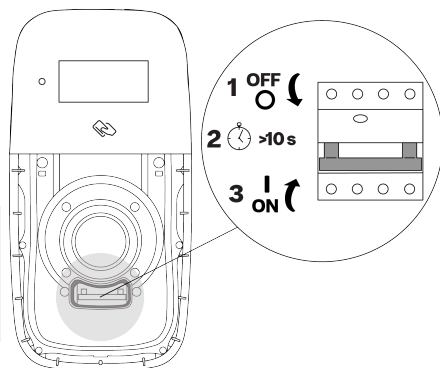


5. Para desligar e voltar a ligar a estação de carregamento, desligue o RCBO, aguarde 10 segundos e, em seguida, volte a ligá-lo.

O anel LED acende-se com uma luz branca em rotação para indicar que a estação de carregamento está a inicializar. A estação de carregamento está pronta para carregar um VE quando for mostrada uma luz verde constante no anel LED.

### Nota

Os RCBO de Tipo B devem ser instalados ao contrário nas estações de carregamento. Se a estação de carregamento tiver um RCBO de tipo B, as direções para ligar e desligar serão ao contrário.

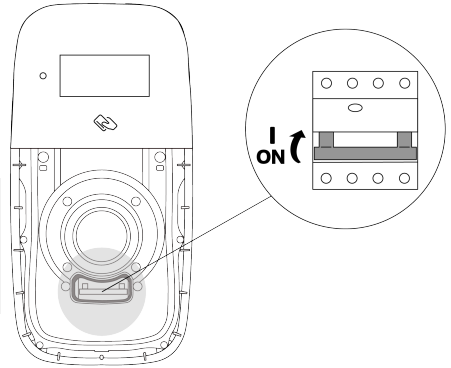


6. No caso de um RCBO aberto, mova o comutador RCBO para baixo.

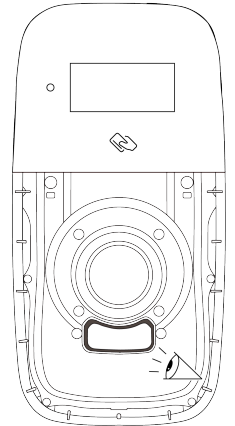
O anel LED acende-se com uma luz branca em rotação para indicar que a estação de carregamento está a inicializar. A estação de carregamento está pronta para carregar um VE quando for mostrada uma luz verde constante no anel LED.

**i Nota**

Os RCBO de Tipo B devem ser instalados ao contrário nas estações de carregamento. Se a estação de carregamento tiver um RCBO de tipo B, as direções para ligar e desligar serão ao contrário.



7. Verifique que o selo na tampa interior está limpo e não apresenta danos.

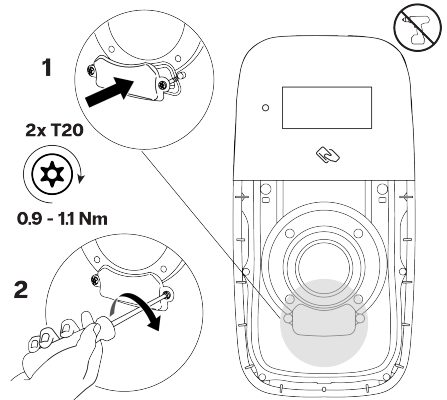


8. Instale a tampa do RCBO na tampa interior. Aperte dois parafusos cativos de segurança Torx T20.

**⚠ CUIDADO**

A utilização de uma chave de parafusos elétrica com um torque elevado pode danificar os parafusos e componentes.

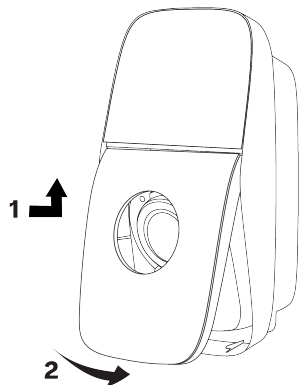
- Utilize apenas uma chave de parafusos de baixo torque com a definição de torque correta.



9. Instale a tampa frontal como se segue:

## 7. Desinstalação

- a. Engate a margem superior da tampa frontal sob a margem inferior da tampa do ecrã, depois gire a tampa para baixo para alinhar o orifício de aparafusamento inferior.

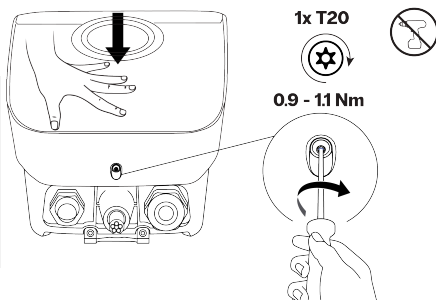


- b. Empurre a tampa frontal contra a mola. Aperte o parafuso de segurança Torx T20 para fixar a tampa frontal na estação de carregamento.

### ⚠ CUIDADO

A utilização de uma chave de parafusos elétrica com um torque elevado pode danificar os parafusos e componentes.

- Utilize apenas uma chave de parafusos de baixo torque com a definição de torque correta.



## 7. Desinstalação

Desinstale e recicle a estação de carregamento de acordo com as normas de eliminação locais aplicáveis.

	Não elimine esta estação de carregamento nos resíduos domésticos. Em vez disso, elimine esta estação de carregamento num ponto de recolha local para dispositivos elétricos/ eletrónicos de modo a permitir a reciclagem e consequentemente evitar impactos negativos e perigosos no ambiente. Pergunte à sua cidade ou autoridades locais os respetivos endereços.
	A reciclagem de materiais economiza matérias-primas e energia e contribui de forma significativa para a conservação do meio ambiente.



FR

Cet appareil et ses accessoires se recyclent

À DÉPOSER EN MAGASIN



À DÉPOSER EN DÉCHÈTERIE



OU

Points de collecte sur [www.quefairedemesdechets.fr](http://www.quefairedemesdechets.fr)  
Privilégiez la réparation ou le don de votre appareil !

## 8. Apêndice

### 8.1. Glossário

Abreviatura	Significado
1P	Fonte de alimentação monofásica (entrada e saída). A capacidade nominal da estação é mostrada na parte inferior da estação.
3P	Fonte de alimentação trifásica (entrada e saída). A capacidade nominal da estação é mostrada na parte inferior da estação.

Abreviatura	Significado
CA	Corrente Alternada.
CMP	Plataforma de Gestão de Carregamento (CMP). A plataforma de backend que associa uma estação de carregamento ao CPO.
CPO	Operador de Postos de Carregamento. O proprietário e/ou operador da instalação da estação de carregamento.
OSD	Operador de Sistema de Distribuição. O operador responsável pela rede de alimentação de energia elétrica.
DE	Descarga eletrostática.
VE	Veículo elétrico.
IK	Proteção contra impactos.
IP	Proteção de entrada.
RF	Comunicação de radiofrequência.
LAN	Rede de área local.
LED	Díodo Emissor de Luz.
DM	Disjuntor em miniatura.
OCP	Protocolo Aberto de Ponto de Carregamento.
PE	Ligação à terra ou solo.
RCBO	Disjuntor diferencial residual com sobretensão.
DDR	Dispositivo diferencial residual.

## 8.2. Declaração de conformidade da UE

A EVBox B.V. declara que o tipo de equipamento de rádio EVBox Liviqo está em conformidade com a Diretiva 2014/53/UE. A totalidade do texto da Declaração de Conformidade da UE encontra-se disponível em [help.evbox.com](http://help.evbox.com).

### Informações regulatórias

Tecnologia	Bandas de frequência	Potência de saída máx.
GSM 900	890 MHz–915 MHz	27,77 dBm
GSM 1800	1710 MHz–1785 MHz	24,77 dBm
Banda LTE 3	1710 MHz–1785 MHz	28,48 dBm
Banda LTE 8	880 MHz–915 MHz	28,48 dBm
Banda LTE 20	832 MHz–862 MHz	28,48 dBm
Banda LTE 28	703 MHz–748 MHz	28,48 dBm
WLAN (802.11b/g/n)	2412 MHz–2484 MHz	16,79 dBm
WLAN (802.11a/n/ac)	5150 MHz–5250 MHz	16,63 dBm
WLAN (802.11a/n/ac)	5725 MHz–5850 MHz	11,46 dBm
RFID	13,56 MHz	19,00 dBm

# EVBox Liviqo

## Cable





# Innehåll

1. Introduktion	467
1.1. Manualens omfång	467
1.2. Symboler som används i denna handbok	467
1.3. Ikoner som används i denna handbok	467
1.4. Certifiering och överensstämmelse	468
2. Säkerhet	468
2.1. Säkerhetsåtgärder	468
2.2. Försiktighetsåtgärder vid flytt och lagring	470
3. Produktegenskaper	471
3.1. Beskrivning	471
3.2. Tekniska specifikationer	471
3.3. Levererade komponenter	473
4. Installationsanvisningar	473
4.1. Förberedelse inför installation	473
4.1.1. Plan inför installation	473
4.1.2. Verktyg som krävs	475
4.1.3. Strömförsörjningskrav	475
4.1.4. Tillval: dynamisk lastbalansering	478
4.1.5. Tillval: klusterlastbalansering	478
4.1.6. Endast för tillämpliga länder: fjärrstyrning med DSO	479
4.2. Uppackning	480
4.3. Installera väggfästet och laddstationen	482
4.4. Anslut strömkabeln	484
4.5. Kommunikation med laddstationen	489
4.5.1. Flytta kommunikationskablar	490
4.5.2. Valfritt: Anslut Ethernet-kabel för Internet	491
4.5.3. Valfritt: Installera SIM-kort för Internet	492
4.5.4. Valfritt: Anslut kabel för dynamisk lastbalansering	493
4.5.5. Endast för tillämpliga länder: Anslut kabeln för fjärrstyrning	493
4.5.6. Dra åt kabelgenomföringen	494
4.6. Montera laddstationens skal	495
4.7. Konfiguration	499
4.7.1. Konfigurera laddstationen	499
4.7.2. Valfritt: Aktivera laddstationen vid CMP	500
4.7.3. Redo för användning	500
5. Användarinstruktioner	500
5.1. Starta och stoppa en laddningssession	500
5.2. Statusindikering	501
5.3. Underhåll av användare	502
5.4. Logga in på laddstationen	502
6. Felsökning	503
6.1. Felindikation	503
6.2. Åtkomst till RCBO:n	503
7. Nedmontering	506
8. Bilaga	506
8.1. Ordlista	506

SV

# 1. Introduktion

Den här installations- och bruksanvisningen beskriver hur du installerar laddstationen och gör den redo att användas. Du måste läsa säkerhetsinformationen noggrant innan du börjar.

## 1.1. Manualens omfattning

Installationsanvisningarna i denna handbok är avsedda för kvalificerade installatörer som kan bedöma arbetet och identifiera potentiella faror.

Bruksanvisningarna riktar sig till personer som använder laddstationen.

Förvara all dokumentation som levereras med laddstationen på ett säkert ställe under produktens hela livscykel. Vidarebefordra all dokumentation till eventuella efterföljande ägare eller användare av produkten.

Alla bruksanvisningar för EVBox kan laddas ner från [evbox.com/manuals](http://evbox.com/manuals).

### Friskrivning

Det här dokumentet är endast avsett för informationsändamål och utgör inte ett bindande erbjudande eller avtal med EVBox. EVBox har sammanställt detta dokument efter bästa förmåga. Ingen uttrycklig eller underförstådd garanti ges för fullständighet, noggrannhet, tillförlitlighet eller lämplighet för det specifika syftet för innehållet och de produkter och tjänster som presenteras där. Specifikationer och prestandadata innehåller medelvärden inom befintliga specifikationsoleranser och kan komma att ändras utan föregående meddelande. EVBox avisar uttryckligen allt ansvar för direkta eller indirekta skador, i vidaste bemärkelse, som uppstår till följd av eller är relaterade till användningen eller tolkningen av detta dokument.

© EVBox. Alla rättigheter förbehållna. Namnet EVBox och EVBox-logotypen är varumärken som tillhör EVBox B.V. eller ett av dess dotterbolag. Ingen del av detta dokument får ändras, reproduceras, bearbetas eller distribueras i någon form eller på något sätt utan föregående skriftligt tillstånd från EVBox.

EVBox Manufacturing B.V.

Kabelweg 47

1014 BA Amsterdam

Nederländerna

[help.evbox.com](http://help.evbox.com)

## 1.2. Symboler som används i denna handbok

### Symboler som används i denna handbok

#### VARNING - LIVSFARA

Indikerar en mycket farlig situation med en hög risknivå som, om faran inte avvärs, kommer att orsaka dödsfall eller allvarlig skada.

#### VARNING - RISK FÖR MASKINSKADA

Indikerar en potentiellt farlig situation med en måttlig risknivå som, om varningen inte följs, kan orsaka dödsfall eller allvarlig skada.

#### VARNING - RISK FÖR PERSONSKADA

Indikerar en potentiellt farlig situation med en måttlig risknivå som, om försiktighet inte iakttas, kan orsaka en mindre eller mellanallvarlig personskada eller skada på utrustningen.

#### Anm

Anmärkningarna innehåller användbara förslag eller hänvisningar till information som inte finns i denna handbok.

1., a. eller i. Åtgärd som behöver följas i angiven ordning.

## 1.3. Ikoner som används i denna handbok



Välj en funktion



Installatör



Användare



Kontrollera  
visuellt



Endast för  
användning på en  
torr plats



Använd ej  
skruvdragare



Växelströmsförsörjning

## 1.4. Certifiering och överensstämmelse

	Laddstationen har CE-certifierats av tillverkaren och är märkt med CE-logotypen. Den relevanta förklaringen om överensstämmelse kan erhållas från tillverkaren.
	Elektriska och elektroniska apparater, inbegripet tillbehör, ska slängas separat från det vanliga fasta kommunala avfallet.
	Återvinning av material innebär att råvaror och energi sparas, och bidrar väsentligt till bevarandet av miljön.



Points de collecte sur [www.quefairedemesdechets.fr](http://www.quefairedemesdechets.fr)  
Privilégiez la réparation ou le don de votre appareil !

### Anm

Se [EU-försäkringen om överensstämmelse på sidan 507](#) försäkringen om överensstämmelse för denna produkt.

## 2. Säkerhet

### 2.1. Säkerhetsåtgärder

#### VARNING - LIVSFARA

Att inte följa installations- och användarinstruktionerna som anges i den här bruksanvisningen resulterar i risk för elstötar, vilka orsakar allvarliga personskador eller dödsfall.

- Läs den här bruksanvisningen innan du installerar eller använder laddstationen.

#### VARNING - LIVSFARA

Installation, service, reparation och omlacering av laddstationen av en icke kvalificerad person leder till risk för elstötar, vilket orsakar allvarliga personskador eller dödsfall.

- Endast en kvalificerad elektriker får installera, utföra service, reparera och flytta laddstationen.
- Användaren får inte försöka serva eller reparera laddstationen eftersom den inte innehåller delar som får servas av användaren.
- Lokala bestämmelser kan vara tillämpliga och kan variera beroende på din region eller användningsland. Den kvalificerade elektrikern ska alltid se till att laddstationen installeras i enlighet med lokala bestämmelser.

#### VARNING - LIVSFARA

Arbete på elektriska installationer utan att rätt försiktighetsåtgärder vidtas medför risk för elektrisk stöt, som kan orsaka svåra skador eller dödsfall.

- Slå av ingångsströmmen innan laddstationen installeras.
- Slå inte på laddstationen om den inte är helt installerad och säkrad.
- Installera inte en laddstation som är felaktig eller har ett märkbart problem.

#### VARNING - LIVSFARA

Om laddstationen utsätts för vatten i stor utsträckning finns det risk för elektrisk stöt, vilket kan leda till allvarlig skada eller dödsfall.

- Rikta inte kraftfulla vattenstrålar mot eller på laddstationen.
- Lägg inte laddkontakten i någon vätska.

### **VARNING - LIVSFARA**

Om laddstationen används när den är skadad eller sliten finns det risk för elektrisk stöt, vilket kan leda till allvarlig skada eller dödsfall.

- Använd inte laddstationen om strömförsörjningen, skalet eller en EV-kontakt är trasig, sprucken, öppen eller visar andra tecken på skador.
- Använd inte laddstationen om laddkabeln är fransig, har trasig isolering eller visar andra tecken på skador.
- I händelse av fara och/eller olycka måste en certifierad elektriker omedelbart koppla bort elförsörjningen från laddstationen.
- Kontakta din installatör om du misstänker att laddstationen är skadad.

### **VARNING - RISK FÖR MASKINSKADA**

Om laddstationen installeras under fuktiga miljöförhållanden (t.ex. regn eller dimma) kan det leda till risk för elektriska stötar och skador på produkten, vilket kan leda till allvarliga skador eller dödsfall.

- Installera eller öppna inte laddstationen under våta miljöförhållanden (exempelvis regn eller dimma).

### **VARNING - RISK FÖR MASKINSKADA**

Om laddstationen används på fel sätt kan detta leda till elektriska stötar som kan orsaka skador eller dödsfall.

- Se till att kontaktområdet runt laddkontakten är fritt från smuts och damm innan en laddningssession startas.
- Säkerställ att laddkabeln är placerad så att den inte kan bli trampad på, snubblad över, överkörd eller på annat sätt utsätts för stora krafter eller skador. Se till att laddkabeln i tillämpliga fall är korrekt förvarad när den inte används, och se till att laddkontakten inte rör marken.
- Dra enbart i handtaget på laddkontakten och aldrig i själva laddkabeln.
- Håll laddstationen, laddkabeln och laddkontakten borta från värmekällor, smuts och vatten.
- Använd inte explosiva eller brandfarliga ämnen nära laddstationen.

### **VARNING - RISK FÖR MASKINSKADA**

Användning av adaptrar, konverteringsadaptrar eller sladdförlängningar med laddstationen kan leda till teknisk inkompatibilitet och resultera i skador på laddstationen och därmed orsaka personskada eller dödsfall.

- Använd endast denna laddstation för laddning av kompatibla elfordon. Läs mer i specifikationerna för laddstationen i laddstationens installationshandbok.
- Se bruksanvisningen för ditt fordon för att kontrollera om ditt fordon är kompatibelt.

### **VARNING - RISK FÖR MASKINSKADA**

Om laddstationen eller laddkabeln utsätts för värme eller brännbara ämnen kan laddstationen skadas, vilket kan leda till personsador eller dödsfall.

- Se till att laddstationen och laddkabeln aldrig kommer i kontakt med värme.
- Använd inte explosiva eller brandfarliga ämnen nära laddstationen.

### **VARNING - RISK FÖR MASKINSKADA**

Användning av laddstationen under förhållanden som inte anges i denna handbok kan leda till skador på laddstationen, vilket kan orsaka skador eller dödsfall.

- Använd endast laddstationen under driftförhållanden angivna i den här handboken.

### **VARNING - RISK FÖR MASKINSKADA**

Arbete på elektriska installationer utan skyddsutrustning kan leda till skador.

- Använd skyddsutrustning såsom skyddsglasögon, skärskyddshandskar och skor med halkskydd för att hindra personsador.

**⚠ VARNING - RISK FÖR MASKINSKADA**

Om brand uppstår och föreskrifterna för brandbekämpning inte följs kan detta resultera i ökad risk, vilket kan orsaka skador eller dödsfall.

- När det är säkert att göra det, se till att elförsörjningen till den utrustning som brinner eller riskerar att brinna kopplas bort.
- Använd inte vatten för att släcka elektriska installationer och utrustning som har strömförsörjning.
- För att släcka en laddstation, använd en brandsläckare som är avsedd för användning på elutrustning med upp till 1 kV.

**⚠ VARNING - RISK FÖR PERSONSKADA**

Laddning av fordonet när laddkabeln inte är helt upprullad kan resultera i överhettning av kabeln, vilket kan skada laddstationen.

- Innan du ansluter laddkabeln till fordonet ska du rulla ut laddkabeln helt och hållet så att den inte har några öglor som överlappar varandra.

**⚠ VARNING - RISK FÖR PERSONSKADA**

Om fingrar eller andra föremål stoppas i kontaktporten (t.ex. under rengöring) kan det orsaka skada på laddstationen.

- Stoppa inte in dina fingrar i kontaktporten.
- Lämna inte föremål i kontaktporten.

**⚠ VARNING - RISK FÖR PERSONSKADA**

Om inte försiktighetsåtgärder vidtas mot ESD (elektrostatisk urladdning) kan elektroniska komponenter i laddstationen skadas.

- Vidta försiktighetsåtgärder mot ESD före beröring av elektroniska komponenter.

**⚠ VARNING - RISK FÖR PERSONSKADA**

Om uppdateringar av den fasta programvaran för den här laddstationen inte aktiveras, eller inaktiveras, väljs bort eller om tillgängliga uppdateringar av den fasta programvaran på annat sätt inte installeras, kan det leda till att laddstationen stöter på problem, att den fungerar med fel och att den är mer benägen att utsättas för säkerhetsrisker.

## 2.2. Försiktighetsåtgärder vid flytt och lagring

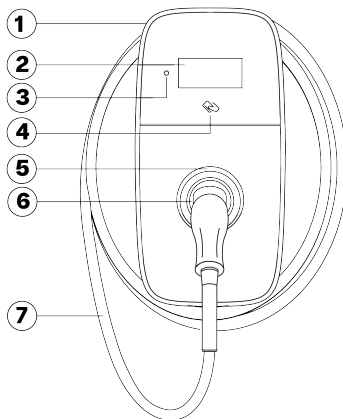
Följ följande riktlinjer vid flytt och förvaring av laddstationen:

- Lyft aldrig laddstationen med hjälp av laddkabeln.
- Koppla loss ingångsströmmen innan laddstationen tas bort för lagring eller omlokalisering.
- Laddstationen skall alltid transporteras och förvaras i sin originalförpackning. Inget ansvar accepteras för skada som uppkommit, när produkten transporterats i annat än sin standardförpackning.
- Förvara laddstationen i en torr miljö i de temperatur- och luftfuktighetsområden som anges i de tekniska specifikationerna (se [Tekniska specifikationer på sidan 471](#)).

## 3. Produkttegenskaper

### 3.1. Beskrivning

- Laddstation**  
Laddstationen försörjer elfordonet (EV) med ström från elnätet på ett säkert sätt.
- Skärm**  
Skärmen vägleder användaren genom de åtgärder som behöver vidtas och visar information om laddningssessionen.
- Ljussensor och närhetssensor**  
Ljussensorn mäter ljusintensiteten för att automatiskt justera ljusstyrkan på skärmen och LED-ringen. Närhetssensorn slår på skärmen när någon befinner sig i närheten av laddstationen.
- RFID-läsare**  
Det här är området där du kan skanna ditt laddkort eller din nyckelbricka för att starta eller stoppa en laddningssession.
- LED-ring**  
LED-ringen indikerar statusen på laddstationen.
- Docka**  
Dockan håller laddkabelns kontakt när laddkabeln inte används.
- Laddkabel**  
Laddkabeln ansluter laddstationen till EV:n. Laddkabeln viras kring stationen när kabeln inte används.



### 3.2. Tekniska specifikationer

Funktion	Beskrivning
<b>Elektriska egenskaper</b>	
Maximal laddningshastighet	Upp till 22 kW (3-fas, 32 A) <b>i Anm</b> Det kan förekomma minskad effekt. Laddningshastigheten beror på faktorer som EV:s behov, den tillgängliga strömförsörjningen och omgivningstemperaturen.
Laddningsläge	Läge 3 (IEC 61851-1)
Fast laddkabel	Typ 2-kontakt (IEC 62196-1, IEC 62196-2)
Laddkabelns längd	6 m
kWh-mätare	MID-godkänd med klass B-noggrannhet (EN-50470) Mätare som överensstämmer med Eichrecht <sup>(1)</sup>
Ingångskapacitet	6–32 A konfigurerbar 1-fasig, 230 V ±10 %, högst 32 A ±6 %, 50/60 Hz 3-fasig, 400 V ±10 %, högst 32 A ±6 %, 50/60 Hz
Diameter för manteln på strömkabeln	12 till 25 mm
Strömkabelns trådstorlek	Massiv tråd: högst 16 mm <sup>2</sup> Flera trådar med hylsa (utan plasthölje): högst 10 mm <sup>2</sup>
Nominell impulstålighetsspänning (U <sub>imp</sub> )	4000 V

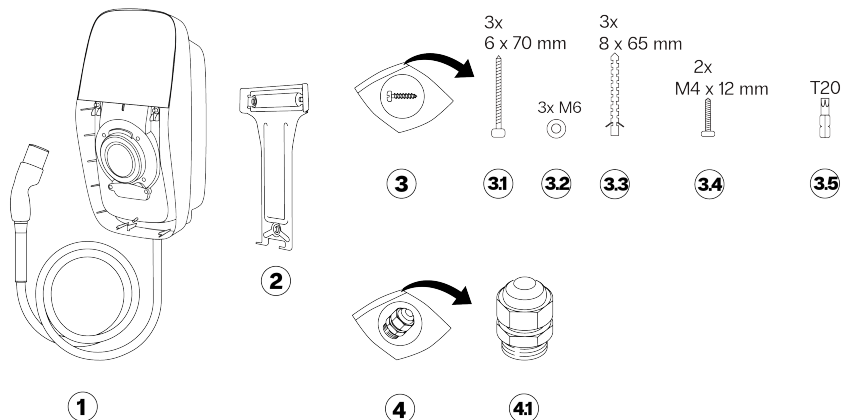
Funktion	Beskrivning
Nominell isoleringsspänning (Ui)	250 V AC (fas till jord) 450 V AC (fas till fas)
Detektion av strömläckage	Utlösningstider och gränsvärden överensstämmer med IEC 61851-1:2017 Cl. 8.5. (i enlighet med IEC 62955:2018 tabell 2). Se <a href="#">Strömförsörjningskrav på sidan 475</a> . RCBO: typ A eller typ B
<b>Miljö- och säkerhetsklass</b>	
Driftstemperatur	-30 °C till +50 °C
Lagringstemperaturområde	-40 °C till +80 °C
Fuktighet (icke kondensering)	5 % till 95 %
Max. installationshöjd	2000 m över havet
Koder för kapsling	IP55 (IEC 60529), IK10 (IEC 62262)
Säkerhetsklass	Säkerhetsklass I och överspänningskategori III
Makromiljöns föroreningsgrad	Föroreningsgrad 3
Klassificering av elektromagnetisk kompatibilitet (EMC)	Miljö A och miljö B (i enlighet med IEC 61439-1)
Mekaniskt motstånd för stationär montering	Hög motståndskraft
<b>Anslutningsmöjligheter</b>	
Auktorisering	RFID-läsare eller med hjälp av en app
Wi-Fi	2,4/5 GHz
Lokalt nätverk	Ethernet
Cellulär kommunikation	4G LTE-M (stöd för 2G-fallback)
Kommunikationsprotokoll	OCPP 2.0.1
Smarta laddningsfunktioner	Dynamisk lastbalansering, klusterlastbalansering, överensstämmer med EEBus, ISO 15118 (hårdvaruklar)
<b>Fysiska egenskaper</b>	
Mått (B x H x D)	256 x 508 x 211 mm
Vikt	Ungefär 8,4 kg
Höljets material	Koldioxidsnålt Makrolon RE®
HMI	5" 800 x 480 WVGA IPS LCD, LED-ring, summer, auktorisering
<b>Certifiering och överensstämmelse</b>	
Strömingång	EV-försörjningsutrustning som är permanent ansluten till växelströmsnätet
Strömförsörjningsutgång	EV-försörjningsutrustning för växelström
Normala miljöförhållanden	Användning inomhus och utomhus
Åtkomst	Utrustning för platser med icke-begränsad åtkomst
Typ av utrustning	Stationär utrustning som är vägg- eller stolpmonterad

(1) Tillval.



### 3.3. Levererade komponenter

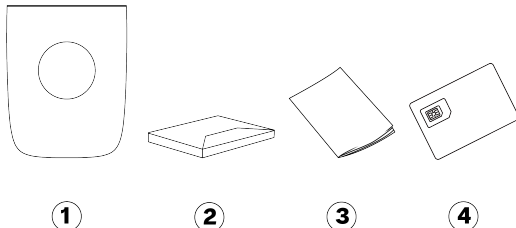
#### Komponenter i laddstationens låda



- 1 Laddstation med laddkabel
- 2 Väggfäste
- 3 Installationsats
- 3.1 Panelskruvar, 6x70 mm, T20, 3x
- 3.2 Brickor, M6, 3x

- 3.3 Vägghävtak, 8x65 mm, 3x
- 3.4 Skruvar, M4x12 mm, T20, 2x
- 3.5 Torxbits, T20 säkerhet
- 4 Kabelgenomföringssats
- 4.1 Kabelgenomföring, 12–20 mm, med tätning och blindpropp

#### Komponenter i skallådan



- 1 Frontskal
- 2 Välkomstpaket (tillval)
- 3 Installations- och användarhandbok
- 4 SIM-kort (tillval)

## 4. Installationsanvisningar

### 4.1. Förberedelse inför installation

#### 4.1.1. Plan inför installation

Följande rekommendationer hjälper dig att planera installationen av laddstationen.

#### Välj plats

- Placera laddstationen, om möjligt, på en plats där den inte utsätts för direkt solljus eller är sårbar för yttre skador.
- Väggens måste ha en plan struktur och måste kunna hålla en belastning på minst 100 kg.
- Det minsta lediga utrymmet runt laddstationen är 300 mm.
- Placeringen får inte leda till att laddkabeln har skarpa böjningar.
- Strömkabeln kan gå in i laddstationen uppifrån eller nerifrån. Den nedre kabelgången A kan användas var som helst. Den övre kabelgången B får bara användas på platser där det inte föreligger risk för regn eller

fukt.

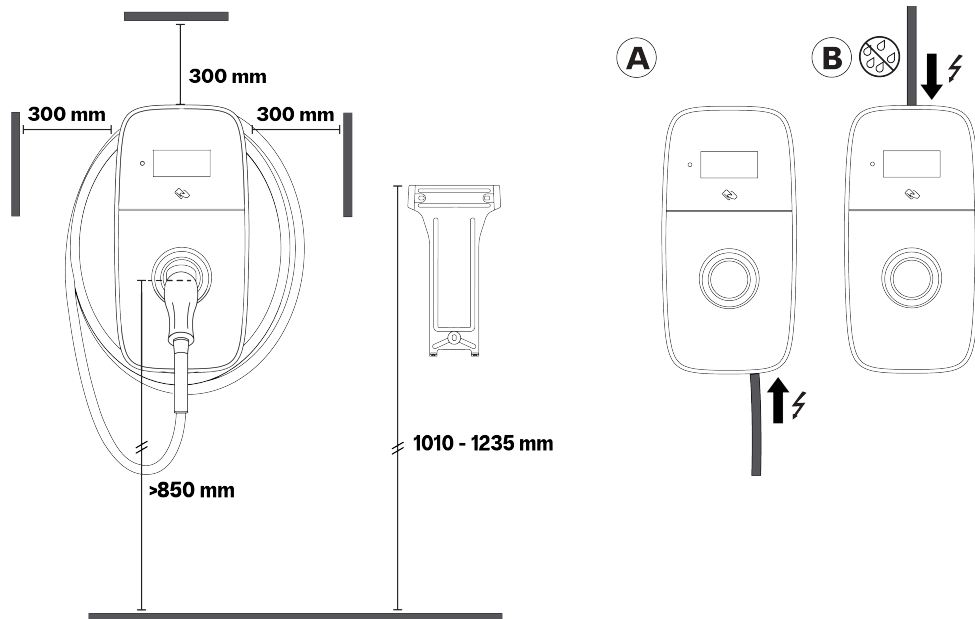
**⚠ VARNING - RISK FÖR PERSONSKADA**

Vatten riskerar att tränga in om den övre kabelgången B används utomhus. Långsiktigt kan regn och fukt ta sig in i laddstationen längs strömkabeln, vilket kan skada laddstationen.

- Kommunikationskabeln kan endast föras in genom laddstationens botten.

**i Anm**

Följande bild visar minsta rekommenderade installationshöjd. Ta del av och följ lokala föreskrifter för tillgänglighet.



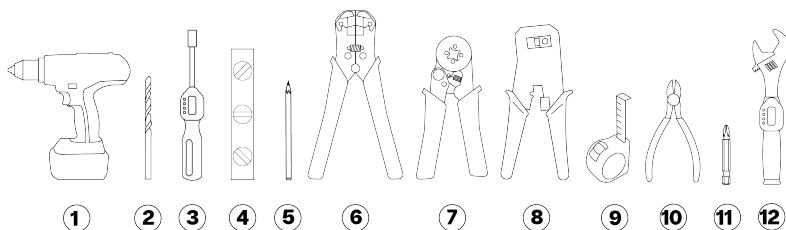
### Checklista före installation

Innan du påbörjar installationen av laddstationen ska du kontrollera följande:

- Monteringen ska ske enligt IEC 60364 och alla tillämpliga lokala bestämmelser.
- Alla nödvändiga tillstånd har erhållits från den lokala myndighet som är behörig.
- Den befintliga elektriska belastningen har beräknats för att hitta den maximala driftsströmmen för laddstationsinstallationen.
- För en laddstation utan RCBO är en miniatyrbrytare (MCB) och en jordfelsbrytare (RCD) installerade uppströms och har de rekommenderade värdena. Se [Strömförsörjningskrav på sidan 475](#).
- Strömförsörjningskabeln med korrekt specifikation har dirigerats till installationsområdet och det finns tillräcklig kabellängd för att skala och ansluta ledningarna.
- Strömförsörjningskabeln ligger inom sin böjningstolerans under och efter installationen.
- Nödvändiga verktyg och material finns på plats. Se [Verktyg som krävs på sidan 475](#).
- De pluggar, skruvar och borrar som används för att installera laddstationen är lämpliga för väggkonstruktionen.
- Om en klusterkonfiguration används är korrekt fasordning planerad och kraven uppfyllda. Se [Tillval: klusterlastbalansering på sidan 478](#).

## 4. Installationsanvisningar

### 4.1.2. Verktyg som krävs




1. Borr
2. Borrspets för murverk, 8 mm (5/16 tum)
3. Momentskruvmejsel med bitshållare, 0,5–3 Nm
4. Vattenpass
5. Blyertspenna
6. Avbitare (strömkabel)
7. Verktyg för pressning av hylsor
8. Avbitare och crimpverktyg (RJ45)
9. Måttband
10. Avbitare
11. Skruvmejselbits, PH2
12. Skiftnyckel, 3–6 Nm

### 4.1.3. Strömförsörjningskrav

#### VARNING - LIVSFARA

Om laddstationen ansluts till strömförsörjningen på annat sätt än det som anges i detta avsnitt leder det till inkompatibilitet i installationen och risk för elektriska stötar, vilket orsakar skador på laddstationen samt personskador eller dödsfall.

- Anslut endast laddstationen till en strömförsörjning i en konfiguration som anges i detta avsnitt.

Jordningssystem	TN-S- och TNC-S-system	PE-kabel.
	TT-system IT-system	Jordelektrod, installeras separat.
Ströminmatning (fas)	1-fas	230 V $\pm 10$ %, upp till 32 A $\pm 6$ %, 50/60 Hz.
	3-fas	400 V $\pm 10$ %, upp till 32 A $\pm 6$ %, 50/60 Hz.
MCB (minihuvudströmbrytare)	<ul style="list-style-type: none"><li>• Utlösningsegenskaper: Typ C.</li><li>• MCB:ns utlösningström kan minska om den omgivande temperaturen i strömförsörjningsskåpet blir hög. Tänk på potentiellt högre omgivningstemperaturer när du väljer MCB-specifikationer.</li><li>• Krävs ej för stationer med inbyggd RCBO.</li></ul>	
	 Anm	<ul style="list-style-type: none"><li>• Monteringen, inklusive MCB, ska ske enligt IEC 60364 och alla tillämpliga lokala bestämmelser.</li><li>• MCB:n måste matcha laddstationens ampereinställningar och den maximala strömmen som är tillgänglig för laddstationen, i enlighet med MCB-tillverkarens specifikationer.</li><li>• Det maximala I<sup>2</sup>t-värdet för MCB:n får inte överstiga 75000 A<sup>2</sup>s.</li></ul>

<p>Jordfelsbrytare (RCD)</p>	<ul style="list-style-type: none"> <li>• RCD-strömstyrka: Den måste motsvara laddstationens strömstyrka.</li> <li>• Standardinstallationer:             <ul style="list-style-type: none"> <li>◦ För Frankrike måste RCD:n vara av typ B med en märkström på 20 A eller 40 A och ha en läckströmsdetektering på högst 30 mA växelström.</li> <li>◦ För andra länder måste RCD:n vara av typ A, F eller B med en märkström på 20 A, 32 A eller 40 A och ha en läckströmsdetektering på högst 30 mA växelström.</li> </ul> </li> <li>• EV Ready-installationer: RCD:n måste vara av typ A+, med hög immunitet (till exempel HPI, SI, HI, KV etc., beroende på tillverkaren av RCD:n).</li> <li>• Krävs ej för stationer med inbyggd RCBO.</li> </ul> <p><b>Anm</b></p> <ul style="list-style-type: none"> <li>• Monteringen, inklusive RCD:n, ska ske enligt IEC 60364 och alla tillämpliga lokala bestämmelser.</li> <li>• Laddstationen har intern DC-läckagedetektering med utlösningstider och gränsvärden överensstämmer med IEC 61851-1:2017 Cl. 8.5. (i enlighet med IEC 62955:2018 tabell 2).</li> </ul>
------------------------------	--

SV

### Strömförsörjningskabel

Tabellerna nedan visar hur du ansluter nätaggregate till laddstationen, beroende på typ av nätaggregate och stationens konfiguration.

#### **⚠ VARNING - RISK FÖR MASKINSKADA**

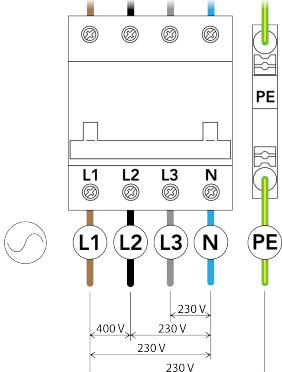
Om IT-strömförsörjning (utan neutral) ansluts till en inbyggd RCBO av typ A kan detta leda till skador på laddstationen, vilket kan orsaka skador eller dödsfall.

- Koppla bara in 3-fas TT- eller TN-strömförsörjning (med neutral) till en inbyggd RCBO av typ A.

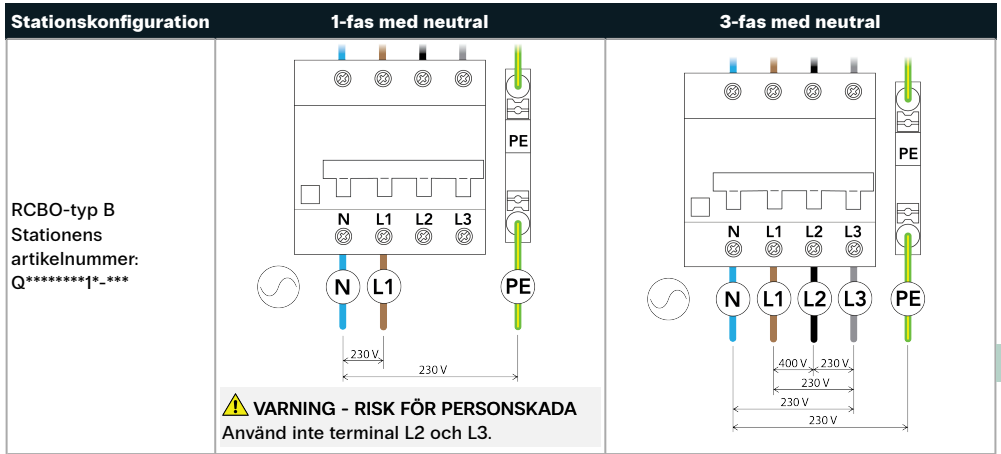
### TN- och TT-strömförsörjning till RCBO

#### **i Anm**

Detta avsnitt gäller bara för stationer med inbyggd RCBO.

Stationskonfiguration	1-fas med neutral	3-fas med neutral
<p>RCBO-typ A Stationens artikelnummer: Q*****8*..***</p>	<p><b>⚠ VARNING - RISK FÖR PERSONSKADA</b> Stöds inte. Anslut inte en enfASFörsörjning till en station med en 3-fas plus neutral RCBO.</p>	

## 4. Installationsanvisningar

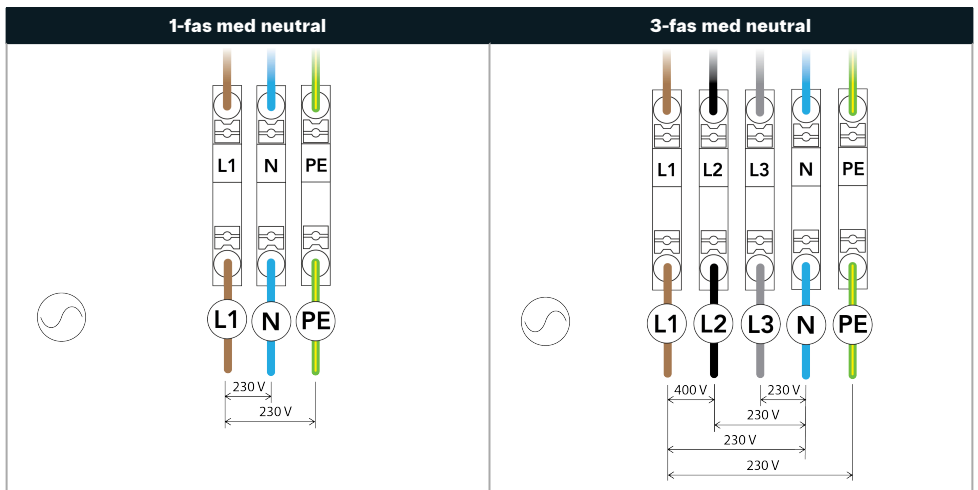


SV

### TN- och TT-strömförsörjning

**i** Anm

Detta avsnitt gäller bara för stationer utan inbyggd RCBO.



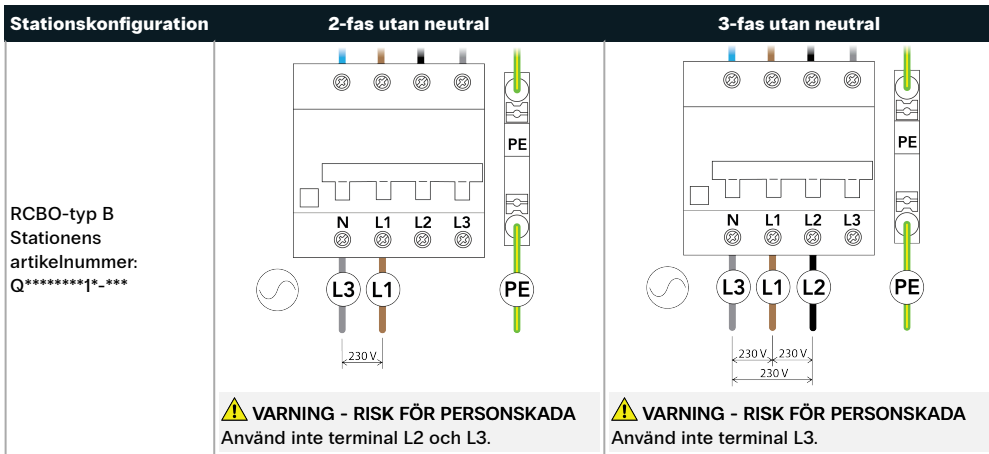
### IT-strömförsörjning (utan neutral) till RCBO

**⚠ VARNING - RISK FÖR PERSONSKADA**

Kontrollera att lokala bestämmelser tillåter installation av den här laddstationen på ett IT-nät utan neutral. Se till att EV:n är kompatibel med denna typ av installation.

**i** Anm

Detta avsnitt gäller bara för stationer med inbyggd RCBO.



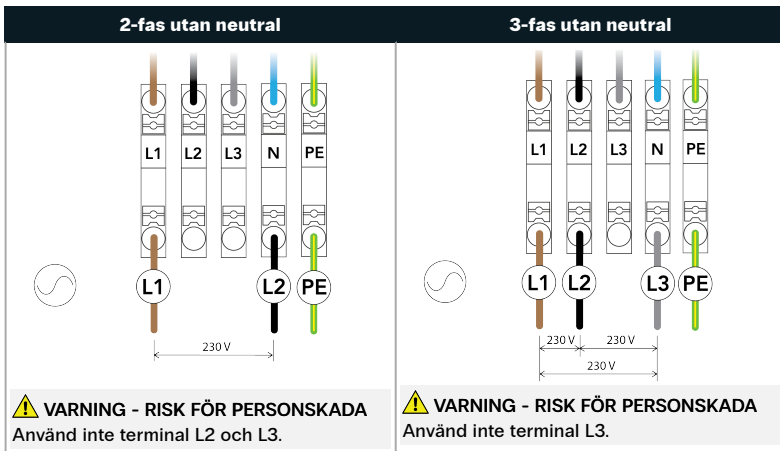
### IT-strömförsörjning (utan neutral)

#### **⚠ VARNING - RISK FÖR PERSONSKADA**

Kontrollera att lokala bestämmelser tillåter installation av den här laddstationen på ett IT-nät utan neutral. Se till att EV:n är kompatibel med denna typ av installation.

#### **i Anm**

Detta avsnitt gäller bara för stationer utan inbyggd RCBO.



### 4.1.4. Tillval: dynamisk lastbalansering

Dynamisk lastbalansering övervakar strömförbrukningen hos alla elektriska apparater som använder samma strömkälla. levererar en styrsignal till laddstationen för att reglera den ström som stationen försörjer EV:n med och på så sätt hålla den totala strömförbrukningen från strömkällan inom förinställda gränser. I en klusterinstallation reglerar den anslutna laddstationen de andra laddstationer som är anslutna i klustret.

Dynamisk lastbalansering kräver trådbunden inmatning från ett lastbalanserande detektionssystem (se [Kommunikation med laddstationen på sidan 489](#)).

### 4.1.5. Tillval: klusterlastbalansering

En klusterlastbalanseringsinstallation består av flera laddstationer som är anslutna till ett kluster. Ett kluster gör det möjligt att skapa ett smart nät i hela klustret för att optimera energianvändningen. Vilken station som helst

## 4. Installationsanvisningar

kan användas som ansluten station i klustret. Klustret konfigureras med EVBox Install App. För korrekt lastbalansering måste ett kluster anslutas till en enda strömförsörjningskrets.

Klusterlastbalansering kräver att varje station i klustret ansluts till samma lokala nätverk (LAN) med Ethernet-anslutningen (se [Kommunikation med laddstationen på sidan 489](#)).

### Krav för klusterlastbalansering

Ethernet-switch	<ul style="list-style-type: none"><li>• IPv6-stöd</li><li>• Ej hanterad</li><li>• Antal portar: Antalet portar måste vara lika med eller fler än antalet laddare som är anslutna till klustret.</li><li>• RJ45-port</li><li>• 100 Mbps eller högre</li><li>• Statisk flersändning: Inaktiverat</li><li>• Dynamisk flersändning (MLD-snooping): Inaktiverat</li></ul> <p><b>i Anm</b></p> <ul style="list-style-type: none"><li>◦ För stora kluster kan två eller fler switchar kombineras i samma nätverk.</li><li>◦ Ytterligare en port krävs om switchen används för internetanslutning.</li></ul>
Kablar	<ul style="list-style-type: none"><li>• CAT5</li><li>• Längd: 100 m maxlängd för varje klusternod</li></ul>

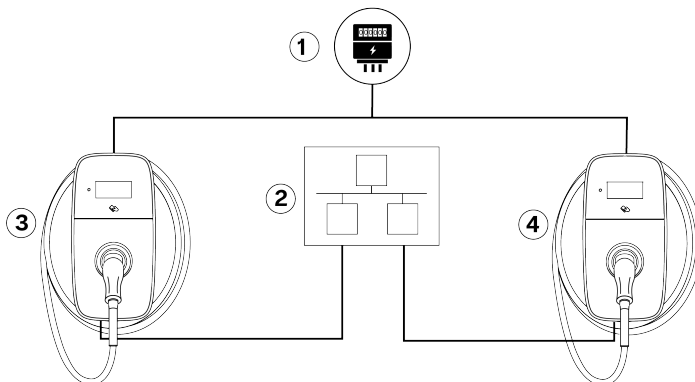
SV

### Anslutningsdiagram

Följande diagram beskriver hur flera laddstationer ansluts till ett kluster.

**i Anm**

Laddstationens internetanslutning ingår inte i diagrammet. Laddstationens internetanslutning kan konfigureras mobilt, med Wi-Fi eller med Ethernet.



1. Strömförsörjning
2. Ethernet-switch

3. Växelströmladdare 1
4. Växelströmladdare N

### Fasrotation

För att undvika överladdning av första fasen med enkelfasiga elfordon måste fasordningen för varje laddstation som ansluter till 3-fasig försörjning i en eldelningsinstallation konfigureras med EVBox Install App.

#### 4.1.6. Endast för tillämpliga länder: fjärrstyrning med DSO

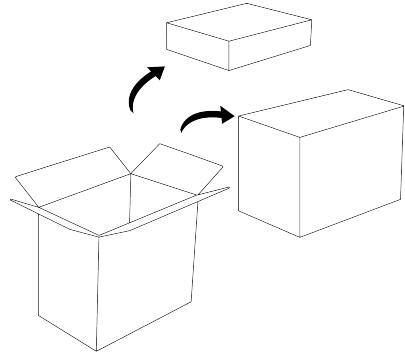
Enligt tekniska anslutningsregler VDE-AR-N-4100:2019-04 Cl. 10.6.4 måste en laddstation med en total nominell

effekt på mer än 12 kVA ha ett gränssnitt för fjärrstyrning av strömmen för att möjliggöra fjärravstängning av stationen av distributionsnätsoperatören (DSO). Denna laddstation kan anslutas via kabel till en DSO-enhet uppströms som är utrustad med ett normalt öppet (NO) relä. När reläet stängs går stationen in i ett avstängt tillstånd och laddningen pausas. Laddningen återupptas när reläet öppnas. Se [Endast för tillämpliga länder: Anslut kabeln för fjärrstyrning på sidan 493](#) för kabelanslutningsinstruktioner.

Du måste registrera dig hos DSO.

## 4.2. Uppackning

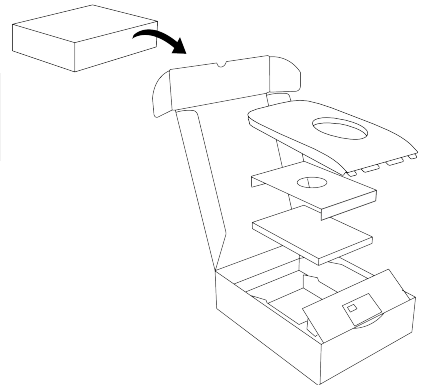
1. Öppna transportlådan. Ta bort skallådan och laddstationens låda.



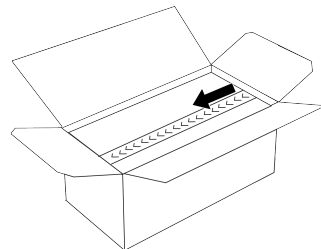
2. Öppna skallådan. Leta fram frontskalet, välkomstpaketet (tillval), laddstationens dokumentation och SIM-kortet (tillval).

### **i** Anm

För att undvika skador ska du låta frontskalet sitta kvar i förpackningen tills det installeras.



3. Öppna stationslådan.



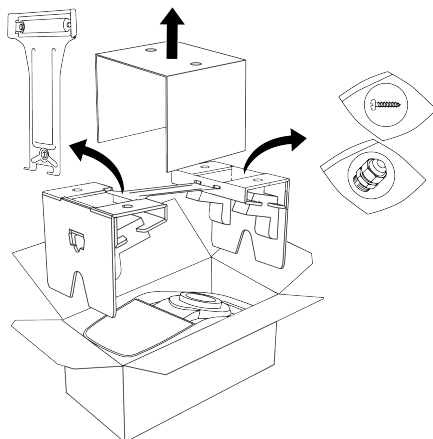


#### 4. Installationsanvisningar

4. Ta bort de tre kartongutfyllnaderna, väggfästet och installationsatserna.

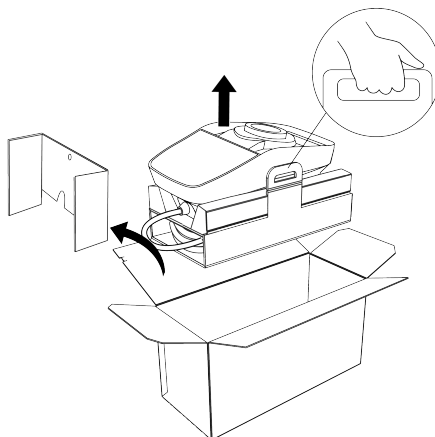
**i Anm**

För att undvika skador ska du lämna laddstationen och kabeln i förpackningen tills den installeras.

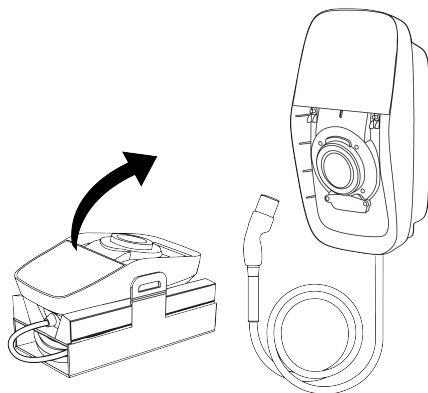


5. Ta ut laddstationen ur förpackningen så här när stationen kan installeras på väggfästet:

- a. Avlägsna kartonginlägget och lyft sedan ut kartongförpackningen med laddstationen och kabeln ur stationslådan.



- b. Ta ut laddstationen och laddkabeln ur förpackningen.

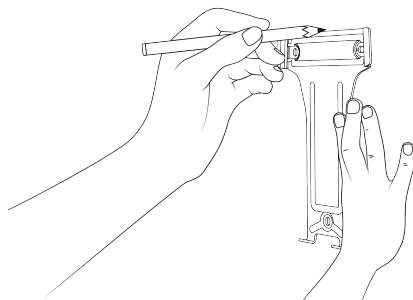


### 4.3. Installera väggfästet och laddstationen

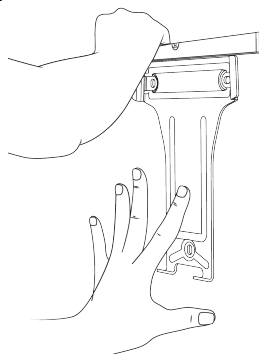
**⚠ VARNING - RISK FÖR PERSONSKADA**

Följ rekommendationerna i [Plan inför installation på sidan 473](#) när du väljer var och hur högt laddstationen ska installeras samt när du väljer ingång till strömkabeln.

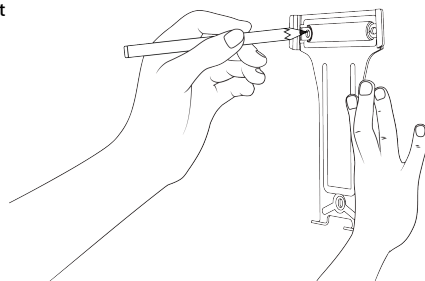
1. Montera väggfästet på följande sätt:
  - a. Markera höjden vid väggfästets ovansida.



- b. Håll väggfästet mot väggen och jämna ut det med hjälp av ett vattenpass.

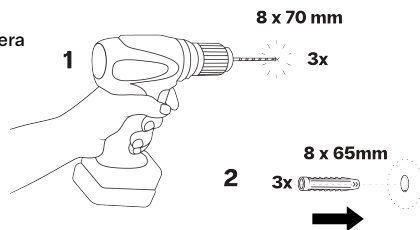


- c. Markera de tre skruppunkterna på väggen. Ta bort väggfästet.

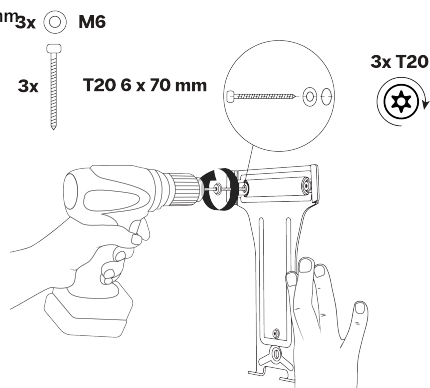


#### 4. Installationsanvisningar

- d. Borra ett 8 mm hål till 70 mm djup vid varje skruvpunkt. Sätt i en 8 x 65 mm väggplugg i vardera hålet.

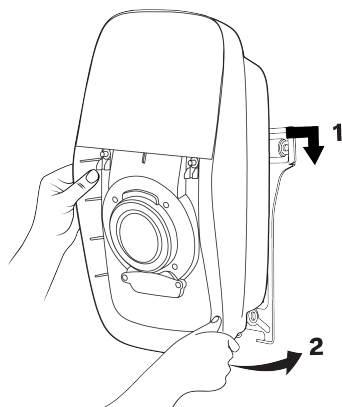


- e. Montera väggfästet med tre T20-skruvar 6 x 70 mm och M6-brickor.



2. Installera laddstationen på följande sätt:

- a. Sätt fast laddstationen i väggfästets ovansida och rotera sedan laddstationen nedåt för att justera de två nedre skruvhålen.

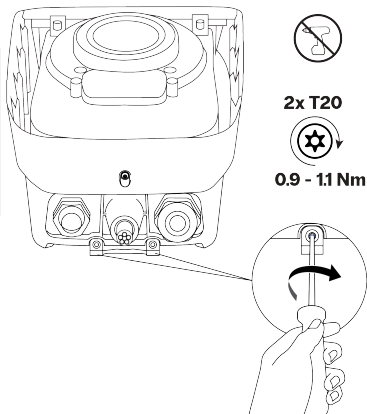


- b. Montera två Torx T20-skrivar för att fästa laddstationen på väggfästet.

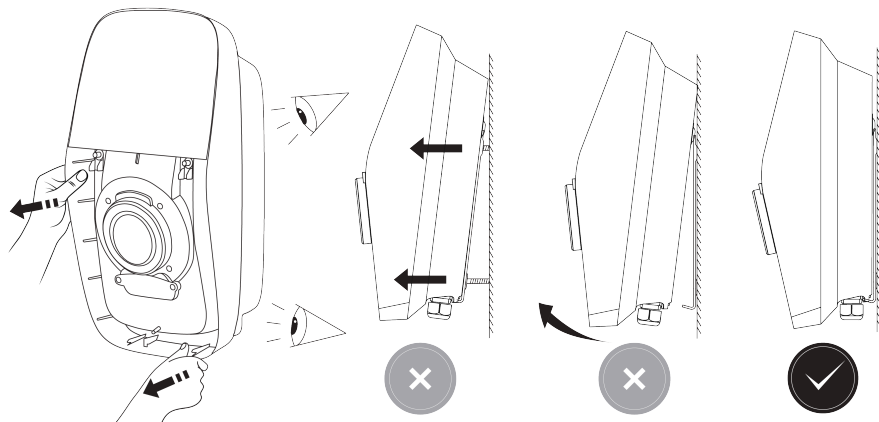
**⚠ VARNING - RISK FÖR PERSONSKADA**

Om en skruvdragare med högt vridmoment används kan detta skada skruvarna och komponenterna.

- Använd endast en skruvmejsel med lågt vridmoment och rätt momentinställning.



- c. Dra försiktigt i laddstationen för att se till att den sitter ordentligt fast i väggfästet och i väggen.



## 4.4. Anslut strömkabeln

Laddstationen har två utbytbara kabelgenomföringar:

- Den installerade kabelgenomföringen är till en strömkabel med en manteldiameter på 13 till 25 mm.
- Kabelgenomföringssatsen är till en strömkabel med en manteldiameter på 12 till 20 mm.

Terminalerna kan ta emot trådmått i följande intervall:

- Massiv tråd: högst 16 mm<sup>2</sup>.
- Flera trådar med hylsa (utan plaströrlige): högst 10 mm<sup>2</sup>.

Strömkabeln kan gå in i laddstationen uppifrån eller nerifrån. Den nedre kabelingången A kan användas var som helst. Den övre kabelingången B får bara användas på platser där det inte föreligger risk för regn eller fukt.

**⚠ VARNING - RISK FÖR PERSONSKADA**

Följ rekommendationerna i [Plan inför installation på sidan 473](#) när du väljer ingångspunkt för laddstationens strömkabel.

**i Anm**

Kommunikationskabeln kan endast föras in genom laddstationens botten.

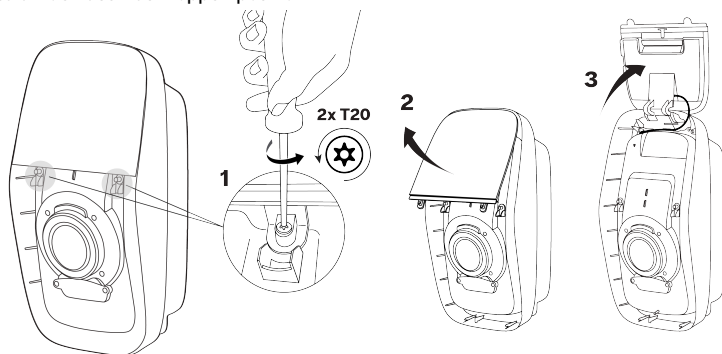
**i Anm**

Alla Torx T20 säkerhetskruvar är oförlojbara. Avlägsna inte de oförlojbara skruvarna helt från laddstationen.

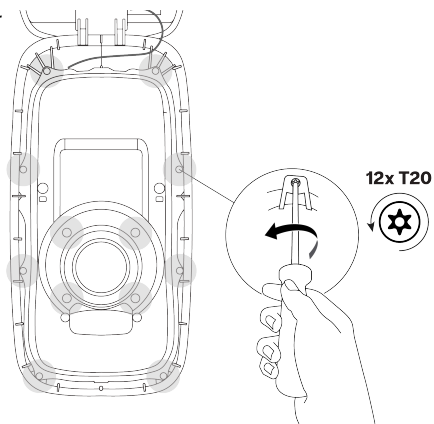
1. Ta bort innerskalet på följande sätt:

#### 4. Installationsanvisningar

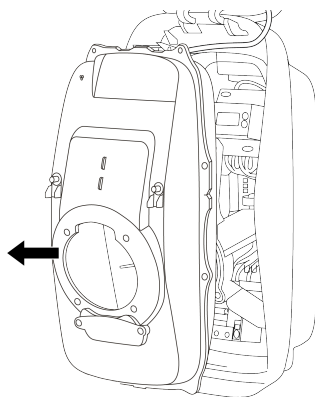
- a. Lossa de två Torx T20 oförklarbara säkerhetsskruvar som fäster skärmskalet. Öppna skärmskalet helt så att det låser fast i öppen position.



- b. Lossa de 12 Torx säkerhetsskruvarna T20 som fäster innerskalet.

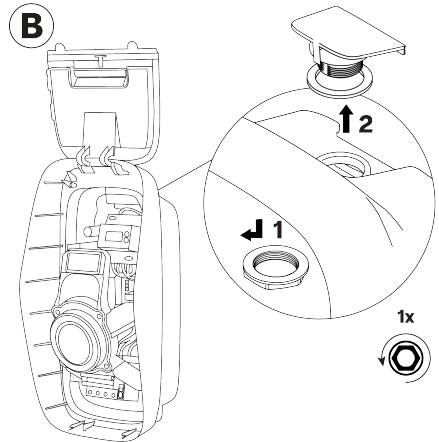


- c. Ta bort innerskalet.

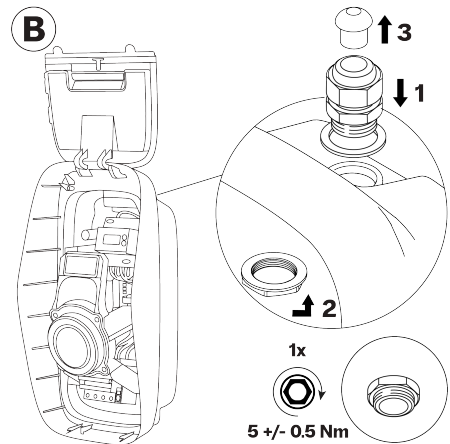


2. För övre kabelgång B: Förbered den övre ingången för strömkabeln på följande sätt:

- a. Ta bort muttern som håller fast skalet på den övre ingången. Ta bort skalet.  
Behåll muttern för användning på kabelgenomföringen. Förvara skalet i förpackningen.

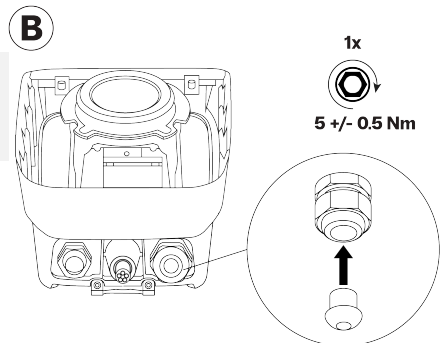


- b. Montera kabelgenomföringen och tätningen i den övre ingången. Montera och dra åt muttern.  
Avlägsna blindproppen från kabelgenomföringen och behåll den för användning senare.



- c. Montera blindproppen i den oanvända genomföringen nedtill på laddstationen.

**⚠ VARNING - RISK FÖR PERSONSKADA**  
Se till att blindproppen är monterad i kabelgenomföringen för att bibehålla laddstationens IP-klassificering.

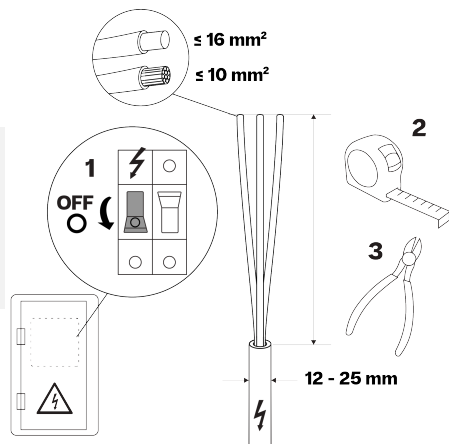


#### 4. Installationsanvisningar

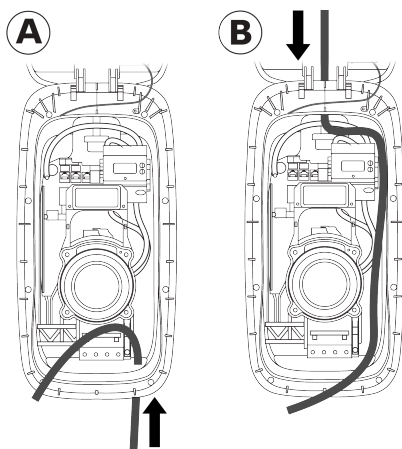
3. Knipsa av strömkabeln och skala av ytterskalet så att kabeln och dess ledningar är tillräckligt långa för att kunna anslutas till RCBO- och PE-terminalblocken i laddstationen. Om det behövs, isolera de enskilda ledningarna extra.

**⚠ VARNING - RISK FÖR PERSONSKADA**

För att skydda SELV-kretsar (Separated Extra Low Voltage) får de avskalade enkelisolerade ledningarna inte röra komponenterna på huvudkortet. Vid behov ska du installera dubbel isolering på de enskilda trådarna, t.ex. med hjälp av värmekrympslangar eller isoleringshylsor.



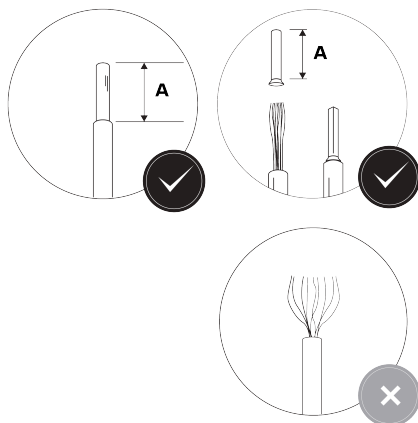
4. Mata in strömkabeln i laddstationen via den nedre kabelgången A eller den övre kabelgången B. Led strömkabeln till anslutningspunkterna. Lämna tillräckligt med längd för att skala av och ansluta ledningarna.



5. Skala av trådändarna på strömkabeln:

- För RCBO, A = 12 mm
- För ett terminalblock, A = 18 mm

När flera trådar används ska du montera hylsor för trådändar och använda en fyrkantig pressning för att få optimal passform i RCBO- och PE-terminalblocken.



## 6. För station med inbyggd RCBO: Anslut strömkabeln enligt följande:

**⚠ VARNING - RISK FÖR MASKINSKADA**

Felaktig anslutning av strömkablarna kan leda till risk för elektrisk stöt och därmed orsaka skador på laddstationen och skada eller dödsfall.

- Kontrollera att strömledningarna är ordentligt anslutna.

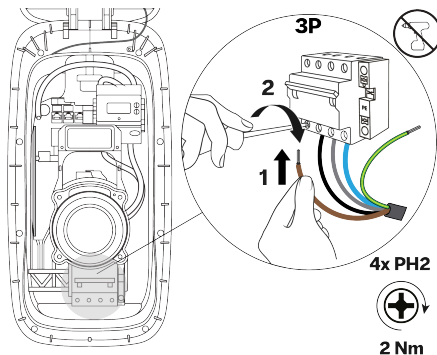
**i Anm**

Anslut ledningarna i enlighet med kopplingschemat för strömförsörjningen i [Strömförsörjningskrav på sidan 475](#).

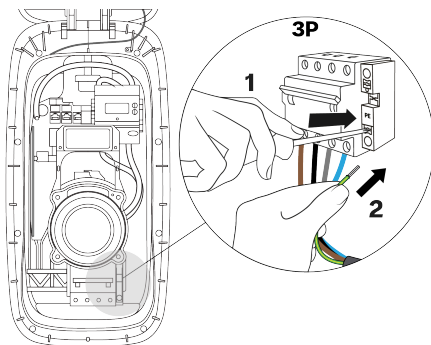
**i Anm**

RCBO:er av typ B installeras upp och ned i laddstationerna.

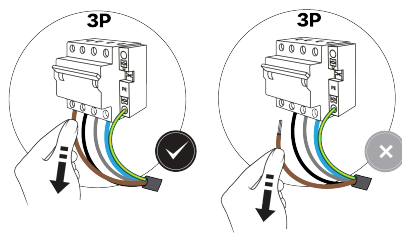
- a. Anslut strömkabelns ledningar till RCBO:n. Dra åt skruvarna för att fästa ledningarna.



- b. Anslut strömkabelns PE-ledning till PE-terminalblocket.



- c. Dra i samtliga ledningar för att kontrollera att alla är ordentligt anslutna.





## 4. Installationsanvisningar

7. För station med terminalblock: Anslut strömkabeln enligt följande:

**⚠ VARNING - RISK FÖR MASKINSKADA**

Felaktig anslutning av strömkablarna kan leda till risk för elektrisk stöt och därmed orsaka skador på laddstationen och skada eller dödsfall.

- Kontrollera att strömledningarna är ordentligt anslutna.

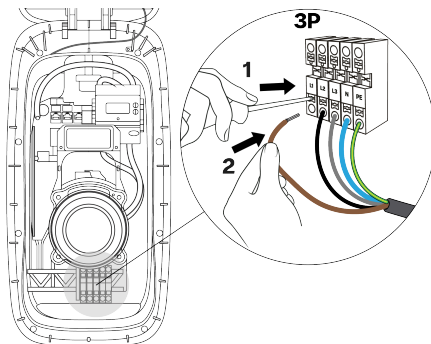
**i Anm**

Anslut ledningarna i enlighet med kopplingschemat för strömförsörjningen i [Strömförsörjningskrav på sidan 475](#).

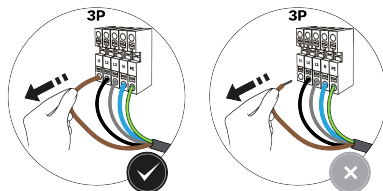
**i Anm**

Illustrationerna visar en 3-fas med neutral anslutning.

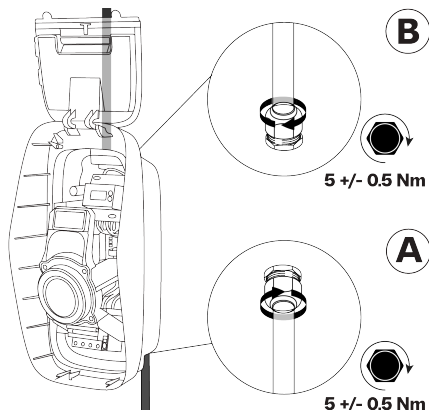
- a. Anslut strömkabelns ledningar till terminalblocken.



- b. Dra i samtliga ledningar för att kontrollera att alla är ordentligt anslutna.



8. Dra åt kabelgenomföringen för att säkra strömkabeln och för att bibehålla laddstationens IP-klassificering.



## 4.5. Kommunikation med laddstationen

Kommunikationskabeln kan endast föras in genom den vänstra kabelgenomföringen i botten av laddstationen. Maximalt fyra kommunikationskablar kan komma in i laddstationen genom injektionsöppningen.

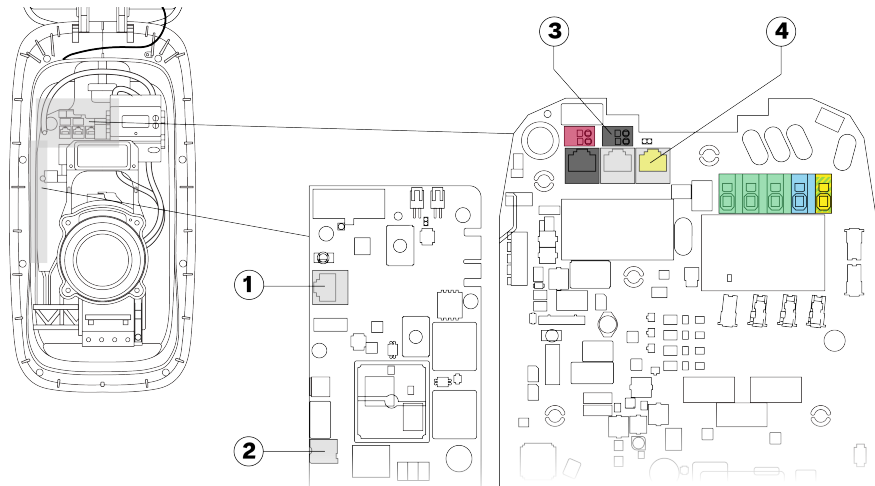
Det finns tre alternativ för att ansluta laddstationen till Internet:

- Ethernet (rekommenderat alternativ)
- Wi-Fi (se [Konfiguration på sidan 499](#))
- Mobiltelefoni (SIM-kort)

### Kommunikationsanslutningar och komponenter

#### **i** Anm

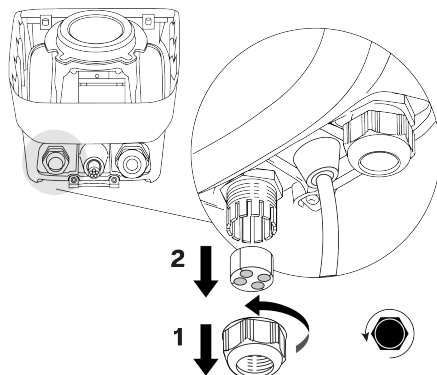
De kommunikationsförbindelser och komponenter som används beror på laddstationens modell och den funktionalitet som krävs.



1. Ethernet-uttag för trådbunden internetanslutning
2. Nano-SIM-kortplats för mobil internetanslutning
3. Terminaler för aktiv effektstyrning (endast för Tyskland)
4. CT IN-uttag för dynamisk lastbalansering

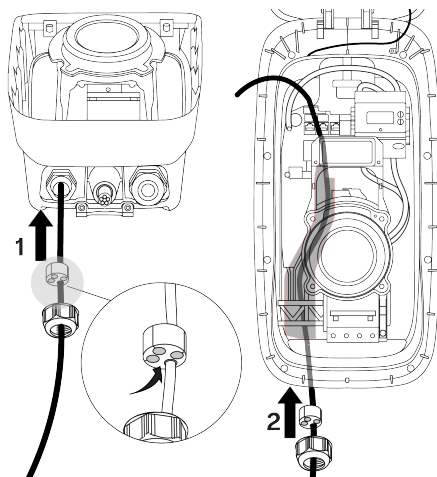
#### 4.5.1. Flytta kommunikationskablar

1. Ta bort mutter och tätning från den vänstra kabelgenomföringen.



#### 4. Installationsanvisningar

2. För de nödvändiga kommunikationskablarna genom kabelgenomföringsmuttern och tätningen och sedan genom den vänstra kabelgenomföringen nedtill på laddstationen. För kablarna genom kabelkanalen till toppen av laddstationen.



SV

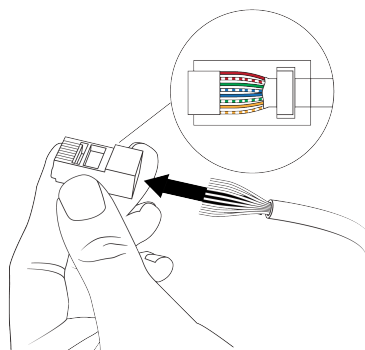
#### 4.5.2. Valfritt: Anslut Ethernet-kabel för Internet

##### **i** Anm

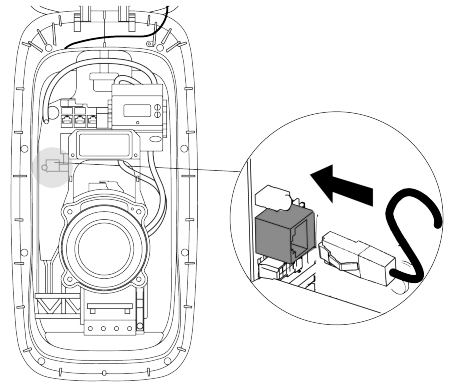
Använd en nätverkskabel av Cat5 och högre (Cat5, Cat5e, Cat6) med tvinnade partrådar.

- Användning av skärmad nätverkskabel rekommenderas men är inte obligatoriskt.
- Om en skärmad kabel används får du inte jorda skärmen.
- För utomhusinstallationer används en UV-stabiliserad nätverkskabel.
- Nätverkskablar kan ha en förinstallerad RJ45-kontakt, eller så kan RJ45-kontakten installeras före eller efter det att nätverkskabeln har förts in i laddstationen.

1. Om en RJ45-kontakt inte är förinstallerad installerar du en RJ45-kontakt på nätverkskabeln.



2. Anslut nätverkskabelns RJ45-kontakt till Ethernet-uttaget på kommunikationskortet.



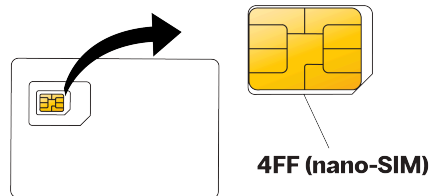
SV

#### 4.5.3. Valfritt: Installera SIM-kort för Internet

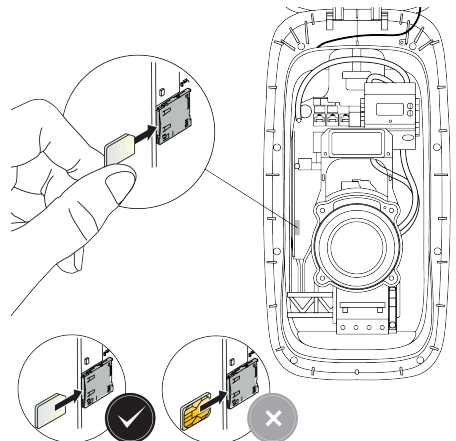
##### Anm

Endast vissa SIM-kort stöds.

1. Ta bort SIM-kortet 4FF (nano-SIM) från kortet.



2. Skjut in och lås SIM-kortet 4FF (nano-SIM) i kortplatsen i kommunikationskortet. SIM-kortets kontakter måste vara vända mot kommunikationskortet.



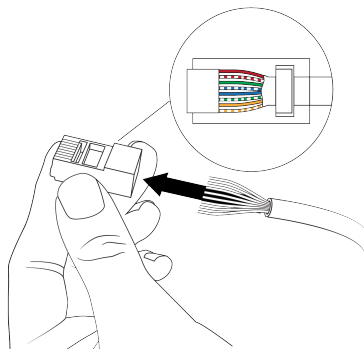
### 4.5.4. Valfritt: Anslut kabel för dynamisk lastbalansering

#### **i** Anm

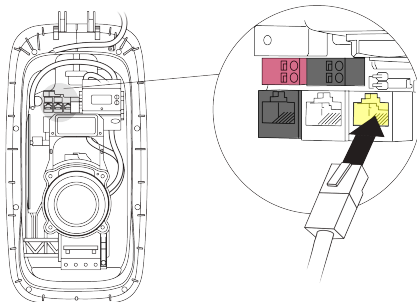
Använd en nätverkskabel av Cat5 och högre (Cat5, Cat5e, Cat6) med tvinnade partrådar.

- Användning av skärmad nätverkskabel rekommenderas men är inte obligatoriskt.
- Om en skärmad kabel används får du inte jorda skärmen.
- För utomhusinstallationer används en UV-stabiliserad nätverkskabel.
- Nätverkskablar kan ha en förinstallerad RJ45-kontakt, eller så kan RJ45-kontakten installeras före eller efter det att nätverkskabeln har förts in i laddstationen.

1. Om en RJ45-kontakt inte är förinstallerad installerar du en RJ45-kontakt på nätverkskabeln.



2. Anslut nätverkskabelns RJ45-kontakt till CT IN-uttaget.



### 4.5.5. Endast för tillämpliga länder: Anslut kabeln för fjärrstyrning

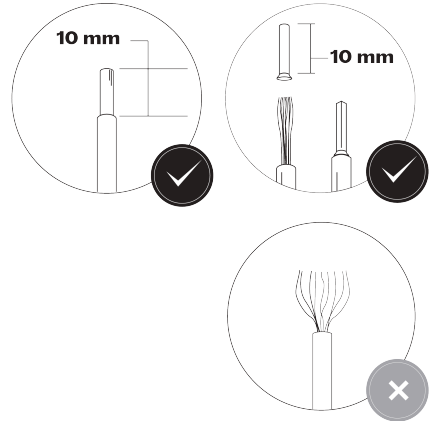
Terminalblocken kan ta emot trådmått i följande intervall:

- Massiv tråd: högst 1,5 mm<sup>2</sup>.
- Flera trådar med hylsa (utan plasthölje): högst 1,5 mm<sup>2</sup>.

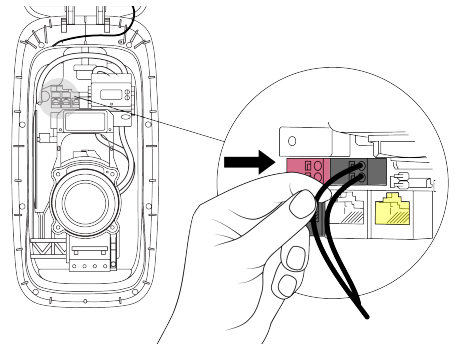
Använd dubbelisolerad kabel som tål temperaturer på upp till 90 °C.

1. Avlägsna trådändarna på kabeln för styrning av den aktiva strömmen.

När trådar används ska du montera hylsor (utan plasthylsor) och använda en fyrkantig krympning för att få en optimal passform i terminalblocken.



2. Anslut ledningarna för den aktiva effektstyrningen till den svarta terminalbrickan (digital ingång 1).



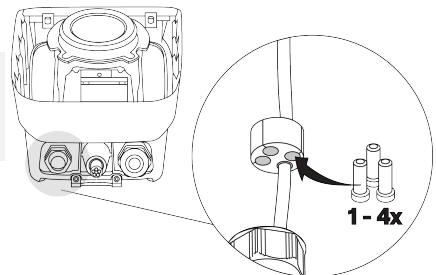
3. Anslut den andra änden av kabeln för styrning av aktiv effekt till en DSO-styrenhet med normalt öppna (NO) kontakter.

#### 4.5.6. Dra åt kabelgenomföringen

1. Montera blindpluggar i de oanvända ingångarna i kabelgenomföringstättningen.

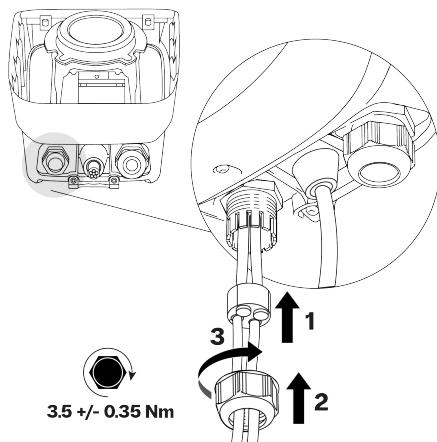
##### **⚠ VARNING - RISK FÖR PERSONSKADA**

Se till att blindproppar sitter på plats i de oanvända ingångspunkterna i kabelgenomföringen för att bibehålla laddstationens IP-klassificering.



#### 4. Installationsanvisningar

2. Flytta in kabelgenomföringstättningen i kabelgenomföringen och dra sedan åt kabelgenomföringen för att fästa nätverkskablar och blindpropparna.

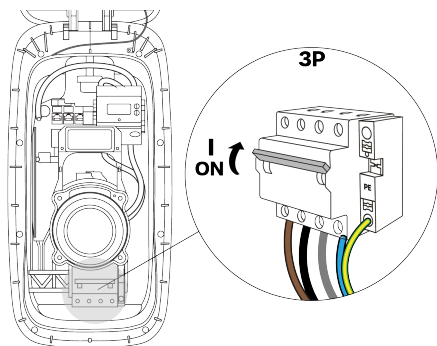


#### 4.6. Montera laddstationens skal

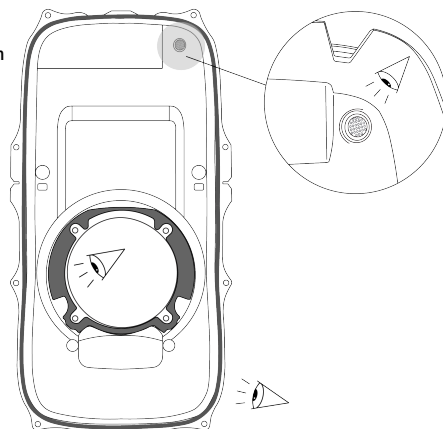
1. För station med inbyggd RCBO: Se till att RCBO:n är påslagen i laddstationen.

##### Anm

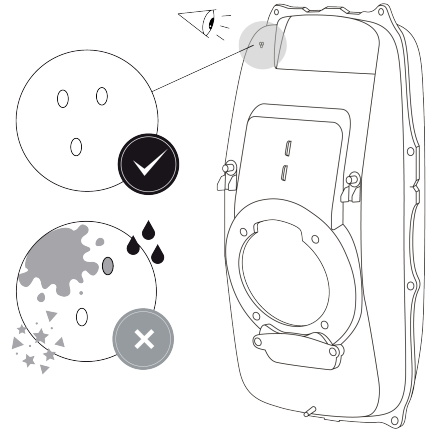
RCBO:er av typ B installeras upp och ned i laddstationerna. Om laddstationen har en RCBO av typ B är riktningen för på och av omvända.



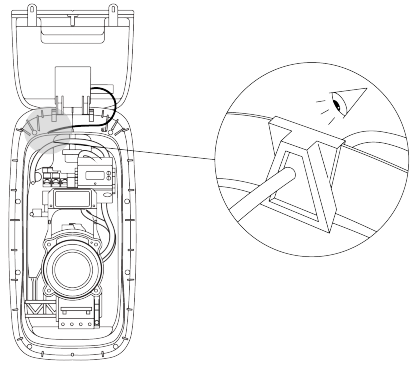
2. Kontrollera innerskalet på följande sätt före installationen:
  - a. Kontrollera på insidan att innerskalets tätning och tätningen i mitten är rena och fria från skador. Kontrollera att ventilationsmembranet sitter fast och är fritt från skador.



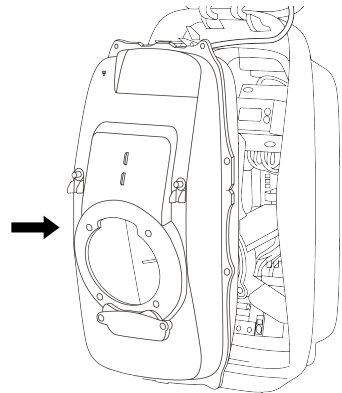
- b. Kontrollera på utsidan att de tre ventilationshålen inte blockeras av vatten, damm eller skräp.



3. Kontrollera på laddstationen att genommatningens tätning för skärmkabeln är korrekt monterad.



4. Montera det innerskalet på följande sätt:  
 a. Koppla på den nedre delen av skalet under hålet i mitten och tryck sedan den övre delen av skalet på plats.





#### 4. Installationsanvisningar

- b. Dra åt 12 Torx T20 oförlojbara säkerhetsskruvar i den ordning som visas för att fästa innerskalet.

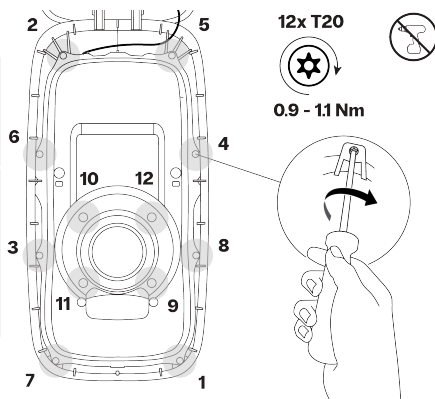
**⚠ VARNING - RISK FÖR PERSONSKADA**

Risk för vatteninträngning. Regn och fukt kan tränga in i laddstationen om skruvarna inte dras åt i rätt ordning.

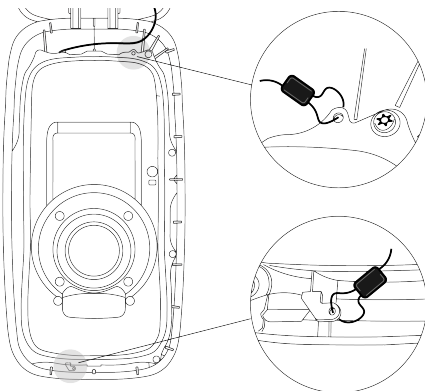
**⚠ VARNING - RISK FÖR PERSONSKADA**

Om en skruvdragare med högt vridmoment används kan detta skada skruvarna och komponenterna.

- Använd endast en skruvmejsel med lågt vridmoment och rätt momentinställning.



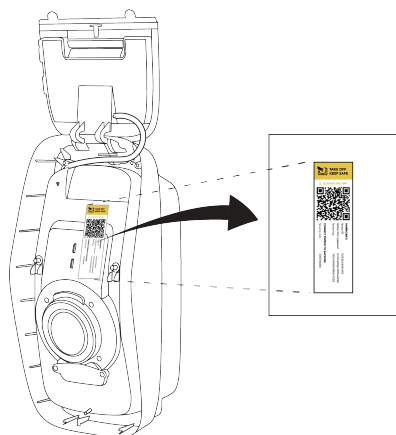
- c. Tillval: Installera två säkerhetsförslutningar på det övre högra hörnet och nedre vänstra hörnet på innerskalet.



5. Ta bort klistermärket med den laddstationsspecifika informationen från innerskalet. Förvara klistermärket tillsammans med laddstationens dokumentation. Informationen på klistermärket behövs under konfigurationen.

**⚠ VARNING - RISK FÖR PERSONSKADA**

För att förhindra obehörig åtkomst till laddstationens inställningar får du inte lämna klistermärket på laddstationen.



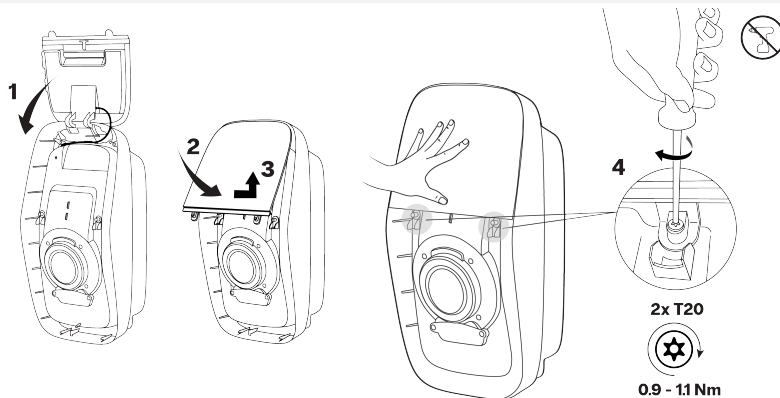
6. Montera skärmskalet och frontskalet på följande sätt:

- a. Stäng skärmskalet och håll det stängt. Fäst skärmskalet med två Torx T20 oförlojbara säkerhetskruvar.

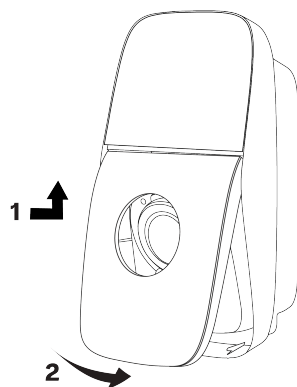
**⚠ VARNING - RISK FÖR PERSONSKADA**

Om en skruvdragare med högt vridmoment används kan detta skada skruvarna och komponenterna.

- Använd endast en skruvmejsel med lågt vridmoment och rätt momentinställning.



- b. Koppla på frontskalets övre kant under skärmskalets nedre kant och rotera det sedan nedåt så att de nedre skruvhålen hamnar i linje.

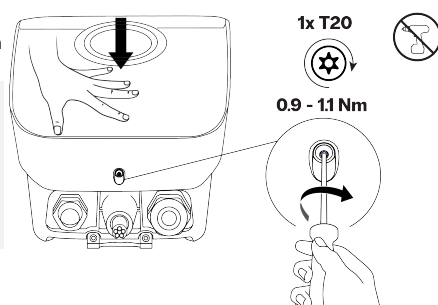


- c. Tryck frontskalet mot fjädern. Dra åt Torx T20 oförlojbar säkerhetskruv för att fästa frontskalet på laddstationen.

**⚠ VARNING - RISK FÖR PERSONSKADA**

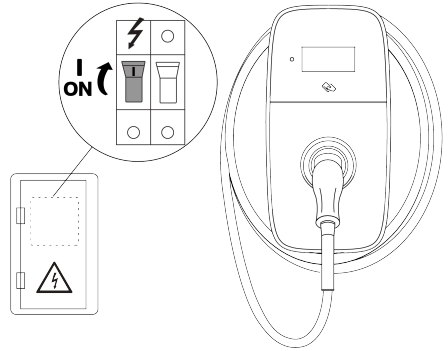
Om en skruvdragare med högt vridmoment används kan detta skada skruvarna och komponenterna.

- Använd endast en skruvmejsel med lågt vridmoment och rätt momentinställning.



## 4. Installationsanvisningar

- Linda laddkabeln löst kring laddstationen för förvaring och placera laddkontakten i kontakthållaren.  
Slå på strömmen till laddstationen. LED-ringen snurrar i vitt för att indikera att laddstationen startas.



Laddstationen är nu helt installerad. LED-ringen lyser i vitt och blinkar av och till två gånger för att indikera att konfigurationen kan startas.

## 4.7. Konfiguration

För att laddstationen ska fungera måste den vara ansluten till Internet. När den är ansluten rekommenderas att du aktiverar laddstationen på en CMP-plattform (Charging Management Platform) för att fullt ut kunna dra nytta av alla laddstationens funktioner och onlinesupport.

Konfigurationen måste slutföras innan laddstationen kan användas.

### 4.7.1. Konfigurera laddstationen

#### VARNING - RISK FÖR MASKINSKADA

Risk för elstötar, vilket kan orsaka allvarliga personskador eller dödsfall. Endast utbildade elektriker får använda EVBox Install-appen för att konfigurera laddstationen.

- Ladda ner och installera EVBox Install App på din smartphone eller surfplatta.



- Öppna EVBox Install App och följ anvisningarna i appen.

Den information som krävs för att konfigurera laddstationen finns på det klistermärke som avlägsnades vid installationen.



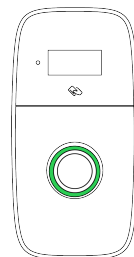
3. Med hjälp av EVBox Install App gör du följande viktiga inställningar för att se till att laddstationen fungerar på ett säkert sätt:
  - Maximal laddningsström.
  - Internetanslutning.
  - Andra konfigurationsinställningar.

#### 4.7.2. Valfritt: Aktivera laddstationen vid CMP

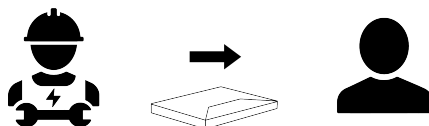
För en laddstation online måste användaren aktivera laddstationen med Charging Management Platform (CMP) på CMP-webbplatsen eller genom att använda den CMP-specifika appen. Kontakta laddstationsoperatören (CPO) för mer information om förfarandet för aktivering av laddstationen.

#### 4.7.3. Redo för användning

Laddstationen är redo att ladda ett elfordon när skalerna är installerade på laddstationen, driftsättningen är slutförd och LED-ringen lyser kontinuerligt grön



Överlämna all dokumentation till ägaren. Ägaren måste förvara all dokumentation som levereras med laddstationen på ett säkert ställe under produktens hela livscykel.



## 5. Användarinstruktioner

### VARNING - LIVSFARA

Att inte följa användarinstruktionerna som anges i den här bruksanvisningen resulterar i risk för elstötar, vilka orsakar allvarliga personskador eller dödsfall.

- Läs säkerhetsföreskrifterna och användarinstruktionerna i denna manual innan du använder laddstationen.
- Om du är osäker på hur du ska använda laddstationen ber vi dig att kontakta din återförsäljare för mer information.

## 5.1. Starta och stoppa en laddningssession

### Anm

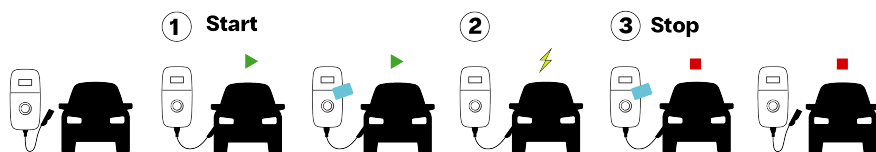
Anvisningar för laddningssessioner visas också på skärmen.

1. Börja ladda:
  - Ta av kontakten från laddstationens docka och rulla ut laddkabeln helt från laddstationen som den är virad kring.
  - Anslut laddkabeln till fordonet.
  - Om du använder ett laddkort eller en nyckelbricka, håll det/den framför läsaren på laddstationen för att påbörja laddning.\*
2. Fordonet laddas.

## 5. Användarinstruktioner

### 3. Stoppa laddning:

- Om du använder ett laddkort eller en nyckelbricka\*\*, håller du det/den framför läsaren på laddstationen för att avbryta laddningen.\*
- Koppla bort laddkabeln från fordonet.
- Vira laddkabeln kring laddstationen och placera kontakten i dockan.



\* När laddstationen är konfigurerat till att enbart acceptera laddkort eller nyckelbrickor.

\*\*Du måste använda samma laddkort eller nyckelbricka som du använde för att starta laddsessionen.

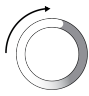





## 5.2. Statusindikering




### **i** Anm

Laddstationens status visas också på skärmen.

### **i** Anm

Vissa funktioner och statusindikationer är inte tillgängliga på alla modeller.

LED-ring	Färg	Beskrivning av staten
	Vit (snurrar)	Laddstationen startar eller programvaran uppdateras.
	Vit (blinker)	Laddstationen väntar på att konfigureras med EVBox Install App.
	Grön (konstant)	Inaktiv. Laddstationen är redo att laddas.
	Röd (konstant)	Autentisering ej godkänd. Indikationen ändras till Grön efter 5 sekunder.
	Blå (konstant)	<ul style="list-style-type: none"><li>• Laddstationen väntar på fordonet.</li><li>• Laddning pausad.</li></ul>
	Blå (fylls upp nedifrån)	Fordonet laddas.

LED-ring	Färg	Beskrivning av staten
	Grön (blinker)	Laddningssessionen är klar. Fordonet kan kopplas bort från laddstationen.
	Orange (konstant)	Laddningen är långsam eller pausad på grund av hög temperatur. Laddningen återupptas automatiskt.
	Orange (blinker)	Laddningssessionen har misslyckats. Koppla bort fordonet och försök igen.

SV

### 5.3. Underhåll av användare

Användaren av laddstationen är ansvarig för laddstationens skick, varvid både lagen om personers, djurs och egendoms säkerhet måste iaktas och de installationsföreskrifter som gäller i användningslandet. Låt en kvalificerad elektriker inspektera laddstationen och dess installation regelbundet och i enlighet med de installationsbestämmelser som gäller i ditt land.

#### VARNING - LIVSFARA

Om laddstationen utsätts för vatten i stor utsträckning finns det risk för elektrisk stöt, vilket kan leda till allvarlig skada eller dödsfall.

- Rikta inte kraftfulla vattenstrålar mot eller på laddstationen.
- Lägg inte laddkontakten i någon vätska.

#### VARNING - RISK FÖR PERSONSKADA

Använd inte aggressiva kemiska rengöringsmedel eller lösningsmedel för att rengöra laddstationen.

1. Ta bort smuts och naturligt organiskt material från laddstationens utsida med en fuktig mjuk trasa. Se till att skärmen, LED-ringen och ljussensorn är rena.
2. Kontrollera laddstationen, laddkabeln och laddkontakten visuellt. Om du misstänker att laddstationen, kabeln eller kontakten är skadad eller smutsig, kontakta en kvalificerad elektriker för att reparera eller byta ut de skadade komponenterna.
3. Dra försiktigt i laddstationen för att se till att den fortfarande är ordentligt monterad. Kontrollera att stationens ytterskal är ordentligt fastsatt. Om laddstationen eller skalet är löst, kontakta en kvalificerad elektriker för att installera stationen på rätt sätt igen.

### 5.4. Logga in på laddstationen

Med hjälp av en smartphone, surfplatta eller dator med Wi-Fi kan användaren logga in på laddstationen för att ändra inställningar, t.ex. Wi-Fi, och visa programvarulicenserna. För instruktioner, se [help.evbox.com](http://help.evbox.com).


## 6. Felsökning

### VARNING - LIVSFARA

Om laddstationen servas eller repareras av en person utan rätt behörighet kan det finnas risk för elstötar, vilket i sin tur kan leda till allvarliga skador eller dödsfall.

- Laddstationen får endast servas eller repareras av en certifierad elektriker.
- Användaren får inte försöka serva eller reparera laddstationen eftersom den inte innehåller delar som får servas av användaren.

### 6.1. Felindikation

LED-ring	Färg	Beskrivning av staten	Åtgärd
	Röd (konstant)	Ett fel har inträffat.	Följ anvisningarna på skärmen.
	Av	Ingen strömförsörjning.	Kontrollera stationens strömförsörjning. Återställ MCB eller RCD i strömförsörjningsskåpet. För station med inbyggd RCBO, kontrollera om RCBO:n är öppen (se <a href="#">Åtkomst till RCBO:n på sidan 503</a> ).

### Anm

Vissa feltillstånd kan lösas genom att stänga av strömmen och sätta på den igen.

- För stationer utan inbyggd RCBO, stäng av strömmen och sätt på den igen via strömförsörjningsskåpet.
- För stationer med inbyggd RCBO, stäng av strömmen och sätt på den igen med RCBO:n

(se [Åtkomst till RCBO:n på sidan 503](#)).

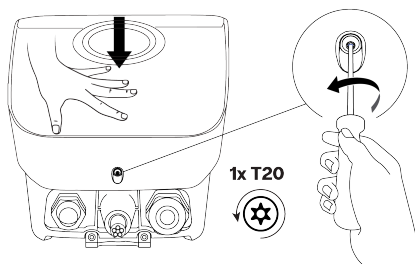
### 6.2. Åtkomst till RCBO:n

Den här åtgärden gäller bara laddstationer som har en inbyggd RCBO. RCBO:n kan komma åt genom ett åtkomstlock på innerskalet. Innan åtgärden vidtas, se till att laddstationen är strömförsörd.

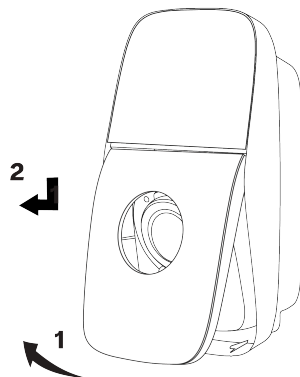
### Anm

Alla Torx T20 säkerhetsskruvar är oförlorbara. Avlägsna inte de oförlorbara skruvarna helt från laddstationen.

1. Om en EV är ansluten till laddstationen, koppla bort EV:n.
2. Tryck frontskalet mot fjädern och lossa sedan en Torx T20 oförlorbar säkerhetsskruv som fäster det främre locket på laddstationen.



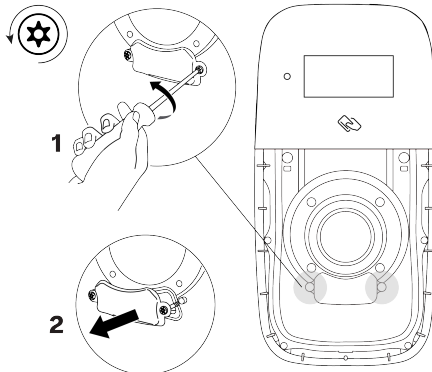
3. Roterar fronskalet uppåt, lossa fronskalets övre kant från inunder skärmskalets nedre kant.



SV

4. Lossa två Torx T20 oförlorbara säkerhetsskruvar. Ta bort RCBO-skalet från innerskalet.

2x T20

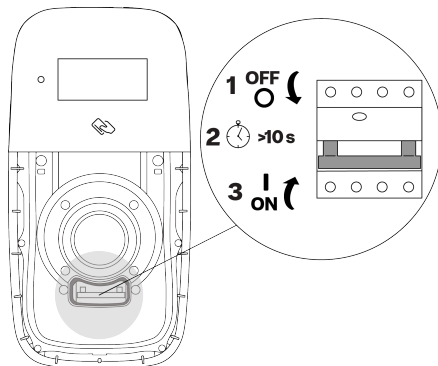


5. För att stänga av laddstationen och sedan sätta på den igen, stäng av RCBO:n, vänta 10 sekunder och sätt sedan på RCBO:n.

LED-ringen snurrar i vitt för att indikera att laddstationen startas. Laddstationen är redo att ladda en EV när LED-ringen lyser kontinuerligt grön.

**i Anm**

RCBO:er av typ B installeras upp och ned i laddstationerna. Om laddstationen har en RCBO av typ B är riktningen för på och av omvända.



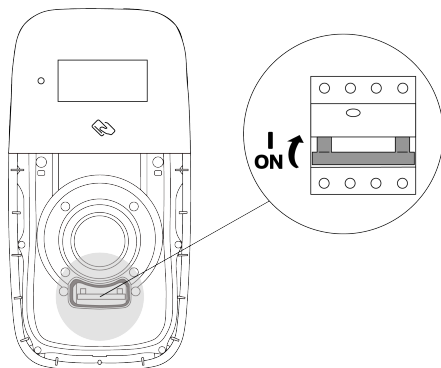


## 6. Felsökning

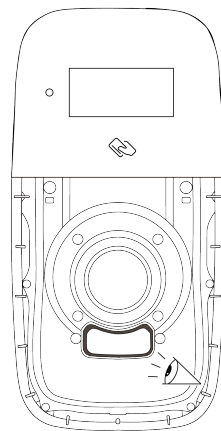
6. För en öppen RCBO flyttar du ner RCBO-switchen. LED-ringen snurrar i vitt för indikera att laddstationen startas. Laddstationen är redo att ladda en EV när LED-ringen lyser konstant grön.

### Anm


RCBO:er av typ B installeras upp och ned i laddstationerna. Om laddstationen har en RCBO av typ B är riktningen för på och av omvända.



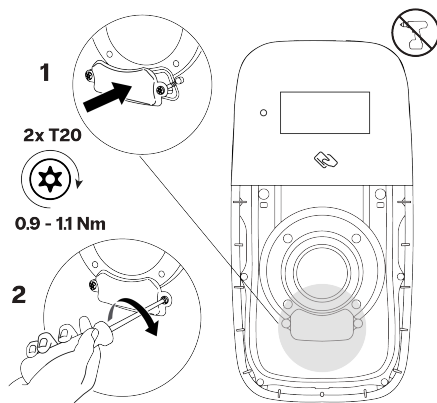
7. Kontrollera att innerskalets tätning är ren och fri från skador.



8. Montera RCBO-skalet på innerskalet. Dra åt två Torx T20 oförlorbara säkerhetsskruvar.

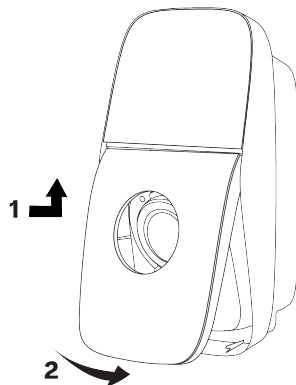
 **VARNING - RISK FÖR PERSONSKADA**  
Om en skruvdragare med högt vridmoment används kan detta skada skruvarna och komponenterna.

- Använd endast en skruvmejsel med lågt vridmoment och rätt momentinställning.



9. Montera frontskalet på följande sätt:

- a. Koppla på fronskalets övre kant under skärmskalets nedre kant och rotera det sedan nedåt så att de nedre skruvhålen hamnar i linje.

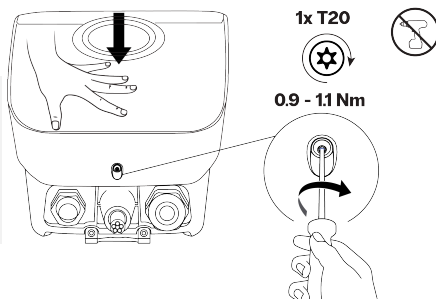


- b. Tryck fronskalet mot fjädern. Dra åt Torx T20 oförklarbar säkerhetsskruv för att fästa fronskalet på laddstationen.

**⚠ VARNING - RISK FÖR PERSONSKADA**

Om en skruvdragare med högt vridmoment används kan detta skada skruvarna och komponenterna.

- Använd endast en skruvmejsel med lågt vridmoment och rätt momentinställning.



## 7. Nedmontering

Avveckla och återvinn laddstationen i enlighet med tillämpliga lokala föreskrifter för avfallshantering.

	Släng inte den här laddstationen i hushållsavfallet. Släng i stället den här laddstationen på en lokal insamlingsplats för elektrisk/elektronisk utrustning för att möjliggöra återvinning och på så sätt undvika negativ och farlig påverkan på miljön. Fråga din stad eller de lokala myndigheterna om de aktuella adresserna.
	Återvinning av material innebär att råvaror och energi sparas, och bidrar väsentligt till bevarandet av miljön.



Points de collecte sur [www.quefairedemesdechets.fr](http://www.quefairedemesdechets.fr)  
Privilégiez la réparation ou le don de votre appareil !

## 8. Bilaga

### 8.1. Ordlista

Förkortning	Betydelse
1P	1-fasströmkälla (in- och uteffekt). Stationens klass står angivet på dess botten.
3P	3-fasströmkälla (in- och uteffekt). Stationens klass står angivet på dess botten.
AC	Växelström.
CMP	Plattform för laddhantering. Backend-plattformen som länkar en laddstation till CPO.

Förkortning	Betydelse
CPO	Laddstationsoperatör. Ågaren och/eller operatören av laddstationsinstallationen.
DSO	Distribution System Operator. Den aktör som ansvarar för elnätet.
ESD	Elektrostatisk urladdning.
EV	Elfordon.
IK	Stötskydd.
IP	Inträngningsskydd.
RF	Radiofrekvenskommunikation.
LAN	Lokalt nätverk.
LED	Ljusavgivande diod.
MCB	Automatsäkring.
Ocpp	Öppna laddpunktsprotokoll.
PE	Jordning.
RCBO	Jordfelsbrytare med överströmsskydd.
RCD	Jordfelsbrytare.

## 8.2. EU-försäkran om överensstämmelse

EVBox B.V. förklarar att radioutrustningen av typen EVBox Liviqo överensstämmer med direktiv 2014/53/EU. Den fullständiga texten till EU:s förklaring om överensstämmelse finns på [help.evbox.com](http://help.evbox.com).

### Gällande föreskrifter

Teknologi	Frekvensband	Maximal utgångseffekt
GSM 900	890 MHz – 915 MHz	27,77 dBm
GSM 1800	1710 MHz – 1785 MHz	24,77 dBm
LTE Band 3	1710 MHz – 1785 MHz	28,48 dBm
LTE Band 8	880 MHz – 915 MHz	28,48 dBm
LTE Band 20	832 MHz – 862 MHz	28,48 dBm
LTE Band 28	703 MHz – 748 MHz	28,48 dBm
WLAN (802.11b/g/n)	2412 MHz – 2484 MHz	16,79 dBm
WLAN (802.11a/n/ac)	5150 MHz – 5250 MHz	16,63 dBm
WLAN (802.11a/n/ac)	5725 MHz – 5850 MHz	11,46 dBm
RFID	13,56 MHz	19,00 dBm

SV









Article number: 101262  
EVBIM\_082023 Version 2.0 © EVBox Manufacturing B.V.