

EV/BOX

EVBox Liviqo

Socket

(EN) Installation and user manual

(FR) Manuel d'installation et d'utilisateur

EV/BOX

EVBox Liviqo

Socket

(EN) **Installation and user manual**

(FR) **Manuel d'installation et d'utilisateur**

Contents

(EN) Installation and user manual	3
(FR) Manuel d'installation et d'utilisateur	49

EVBox Liviqo

Socket

Contents

1. Introduction	7
1.1. Scope of the manual	7
1.2. Symbols used in this manual	7
1.3. Icons used in this manual	8
1.4. Certification and compliance	8
2. Safety	8
2.1. Safety precautions	8
2.2. Moving and storage precautions	10
3. Product features	11
3.1. Description	11
3.2. Technical specifications	11
3.3. Delivered components	13
4. Installation instructions	13
4.1. Prepare for installation	13
4.1.1. Plan for installation	13
4.1.2. Tools required	15
4.1.3. Power supply requirements	15
4.1.4. Optional: Dynamic load balancing	18
4.1.5. Optional: Cluster load balancing	18
4.1.6. Only for applicable countries: Remote power control by DSO	20
4.2. Unpacking	20
4.3. Install the wall bracket and charging station	22
4.4. Connect the power cable	24
4.5. Charging station communication	30
4.5.1. Route communication cables	30
4.5.2. Optional: Connect Ethernet cable for Internet	31
4.5.3. Optional: Install SIM card for Internet	32
4.5.4. Optional: Connect dynamic load balancing cable	33
4.5.5. Only for applicable countries: Connect remote power control cable	33
4.5.6. Tighten the cable gland	34
4.6. Install the charging station covers	35
4.7. Configuration	39
4.7.1. Configure the charging station	39
4.7.2. Optional: Activate the charging station with CMP	40
4.7.3. Ready for use	40
5. User instructions	40
5.1. Start and stop a charging session	40
5.2. Status indication	41
5.3. Maintenance by user	42
5.4. Log in to the charging station	42
6. Troubleshooting	42
6.1. Error indication	42
6.2. Access the RCBO	43
7. Decommissioning	46
8. Appendix	46
8.1. Glossary	46

1. Introduction

This Installation and user manual describes how to install the charging station and make it ready to use. You must carefully read the safety information before you start.

1.1. Scope of the manual

The installation and configuration instructions in this manual are intended for qualified installers who can assess the work and identify potential danger.

The user instructions are intended for users of the charging station.

Retain all documentation delivered with the charging station in a safe place for the entire life cycle of the product. Forward all documentation to any subsequent owners or users of the product.

All EVBox manuals can be downloaded from evbox.com/manuals.

Disclaimer

This document is drafted for information purposes only and does not constitute a binding offer or contract with EVBox. EVBox has compiled this document to the best of its knowledge. No express or implied warranty is given for the completeness, accuracy, reliability, or fitness for the specific purpose of its content and the products and services presented therein. Specifications and performance data contain average values within existing specification tolerances and are subject to change without prior notice. EVBox explicitly rejects any liability for any direct or indirect damage, in the broadest sense, arising from or related to the use or interpretation of this document.

© EVBox. All rights reserved. EVBox name and the EVBox logo are trademarks of EVBox B.V or one of its affiliates. No part of this document may be modified, reproduced, processed, or distributed in any form or by any means, without the prior written permission of EVBox.

EVBox Manufacturing B.V.
Kabelweg 47
1014 BA Amsterdam
The Netherlands
help.evbox.com

1.2. Symbols used in this manual

Symbols used in this manual

DANGER

Indicates an imminently hazardous situation with a high risk level which, if the danger is not avoided, will cause death or serious injury.

WARNING

Indicates a potentially hazardous situation with moderate risk level which, if the warning is not obeyed, can cause death or serious injury.

CAUTION

Indicates a potentially hazardous situation with a medium risk level which, if the caution is not obeyed, may cause minor or moderate injury or damage to the equipment.

Note

Notes contain helpful suggestions, or references to information not contained in this manual.

1., a. or i. Action to be followed in the stated order.

1.3. Icons used in this manual



Choose one feature



Installer



User



Visually check



Only for use in a dry location



Do not use a power screwdriver



AC power supply

1.4. Certification and compliance

	The charging station has been CE-certified by the manufacturer and bears the CE logo. The relevant declaration of conformity may be obtained from the manufacturer.
	Electrical and electronic appliances, including accessories, must be disposed of separately from the general municipal solid waste.
	Recycling of materials saves raw materials and energy and makes a major contribution to conserving the environment.



Points de collecte sur www.quefairedemesdechets.fr
Privilégiez la réparation ou le don de votre appareil !

Note

See [EU Declaration of Conformity on page 47](#) for the Declaration of Conformity for this product.

2. Safety

2.1. Safety precautions

DANGER

Not following the installation and user instructions given in this manual will result in the risk of electric shock, which will cause severe injury or death.

- Read this manual before installing or using the charging station.

DANGER

Installation, servicing, repair and relocation of this charging station by a non-qualified person will result in the risk of electric shock, which will cause severe injury or death.

- Only a qualified electrician is permitted to install, service, repair, and relocate the charging station.
- The user must not attempt to service or repair the charging station as it does not contain user-serviceable parts.
- Local regulations may be applicable and may vary depending on your region or country of use. The qualified electrician must always ensure that the charging station is installed according to local regulations.

DANGER

Working on electric installations without proper precautions will result in the risk of electric shock, which will cause severe injury or death.

- Switch off the input power before installing the charging station.
- Do not switch on the charging station if it is not fully installed or not secure.
- Do not install a charging station that is faulty or has a noticeable issue.

 DANGER


Extensive exposure of the charging station to water will result in the risk of electric shock, which will cause severe injury or death.

- Do not direct powerful jets of water toward or onto the charging station.
- Do not put the charging plug into any liquid.

 DANGER

Operating the charging station when it is damaged or worn will result in the risk of electric shock, which will cause severe injury or death.

- Do not operate the charging station if the power supply, the enclosure or an EV connector is broken, cracked, open, or shows any other indication of damage.
- Do not operate the charging station if a charging cable is frayed, has broken insulation, or shows any other indication of damage.
- In the event of danger and/or an accident, have the electrical supply to the charging station disconnected immediately.
- Contact your installer if you suspect that the charging station is damaged.

 WARNING

Installing the charging station during wet environmental conditions (for example, rain or fog) can result in the risk of electric shock and damage to the product, which can cause severe injuries or death.

- Do not install or open the charging station during wet environmental conditions (for example, rain or fog).

 WARNING

Incorrect use of the charging station will result in the risk of electric shock, which can cause injury or death.

- Make sure that the contact area of the charging plug is free from dirt and moisture before starting a charging session.
- Make sure that the charging cable is positioned so that it will not be stepped on, tripped over, driven over, or otherwise subjected to excessive force or damage. Where applicable, make sure that the charging cable is correctly stowed when it is not in use, making sure that the charging plug does not touch the ground.
- Only pull on the charging plug hand grip and never on the charging cable itself.
- Keep the charging station, charging cable and charging plug away from heat sources, dirt, and water.
- Do not use explosive or readily flammable substances near the charging station.

 WARNING

Using adapters, conversion adapters, or cord extensions with the charging station can result in technical incompatibilities and can result in damage to the charging station, which can cause injury or death.

- Use this charging station to charge compatible electric vehicles only. Refer to the charging station specifications in the charging station installation manual for details.
- Refer to your vehicle user manual to check if your vehicle is compatible.

 WARNING

Exposure of the charging station or the charging cable to heat or flammable substances can result in damage to the charging station, which can cause injury or death.

- Make sure that the charging station and the charging cable never come into contact with heat.
- Do not use explosive or readily flammable substances near the charging station.

 WARNING

Using the charging station under conditions not specified in this manual can result in damage to the charging station, which can cause injury or death.

- Use the charging station only under the operating conditions specified in this manual.

 WARNING

Working on electrical installations without using personal protective equipment can result in the risk of injury.

- Use personal protective equipment such as eye protection, cut-resistant gloves, and non-slip safety shoes to prevent personal injuries.

⚠ WARNING

In the event of a fire, not following the fire fighting instructions can result in increased danger, which can cause injury or death.

- When safe to do so, have the electrical supply to the equipment that is burning or endangered by fire disconnected.
- Do not use water to extinguish electrical installations and equipment that have a live power supply.
- To extinguish a charging station, use an extinguisher that is specified for use on electrical equipment with a rating of up to 1 kV.

⚠ CAUTION

Charging a vehicle with the charging cable not completely extended can result in overheating of the cable, which can damage the charging station.

- Before you connect the charging cable to the vehicle, fully unwind the charging cable so it has no overlapping loops.

⚠ CAUTION

Putting fingers into or leaving other objects inside the plug port (for example, during cleaning) can cause injury or can damage the charging station.

- Do not put your fingers into the plug port.
- Do not leave objects inside the plug port.

⚠ CAUTION

Not taking precautions against ESD (Electrostatic discharge) can damage electronic components in the charging station.

- Take the necessary precautions against ESD before touching electronic components.

⚠ CAUTION

Not enabling firmware updates for this charging station, or disabling, opting out of, or otherwise failing to install available firmware updates, can cause the charging station to encounter problems, function with errors, and be more prone to safety or security risks.

2.2. Moving and storage precautions

Obey the following guidelines when moving and storing the charging station:

- Disconnect the input power before removing the charging station for storage or relocation.
- Transport and store the charging station only in its original packaging. No liability can be accepted for damage incurred when the product is transported in non-standard packaging.
- Store the charging station in a dry environment in the temperature and humidity ranges given in the Technical specifications (see [Technical specifications on page 11](#)).

3. Product features

3.1. Description

1. Charging station

The charging station safely supplies electrical power from the grid to the electric vehicle (EV).

2. Display

The display guides the user through the actions required, and shows information about the charging session.

3. Light sensor and proximity sensor

The light sensor measures the light intensity to automatically adjust the brightness of the display and the LED ring. The proximity sensor switches on the display when a person is close to the charging station.

4. RFID reader

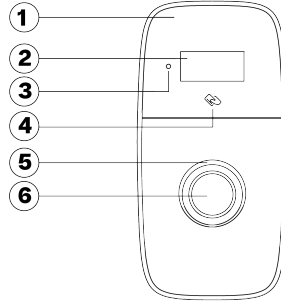
This is the area where you scan your charge card or key fob to start or stop a charging session.

5. LED ring

The LED ring indicates the status of the charging station.

6. Socket

The socket connects the charging cable to the EV.



3.2. Technical specifications

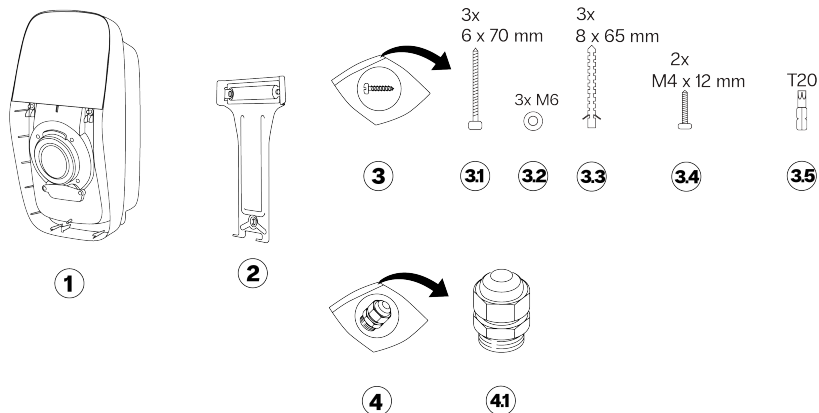
Feature	Description
Electrical properties	
Maximum charge rate	Up to 22 kW (3-phase, 32 A) Note Derating may occur. The charge rate depends on factors such as the demand from the EV, the available power supply, and the ambient temperature.
Charging mode	Mode 3 (IEC 61851-1)
Socket	Type 2 socket (IEC 62196-1, IEC 62196-2) Type 2 socket with shutter Type 2 socket with shutter and Type E module ⁽¹⁾
kWh meter	MID-approved with class B accuracy (EN-50470) Eichrecht compliant meter ⁽¹⁾
Input capacity	6 – 32 A configurable 1-phase, 230 V ±10%, maximum 32 A ±6%, 50/60 Hz 3-phase, 400 V ±10%, maximum 32 A ±6%, 50/60 Hz
Power cable sheath diameter	12 to 25 mm
Power cable wire gage	Solid wire: maximum 16 mm ² Stranded wire with ferrule (without plastic sleeve): maximum 10 mm ²
Rated impulse withstand voltage (U _{imp})	4000 V
Rated insulation voltage (U _i)	250 V AC (phase to ground) 450 V AC (phase to phase)

Feature	Description
Leakage current detection	Tripping times and limits are compliant with IEC 61851-1:2017 Cl. 8.5. (in accordance with IEC 62955:2018 Table 2). See Power supply requirements on page 15 . RCBO: Type A or Type B
Environment and safety class	
Operating temperature range	-30 °C to +50 °C
Storage temperature range	-40 °C to +80 °C
Humidity (non-condensing)	5% to 95%
Maximum installation altitude	2000 m above sea level
Enclosure codes	IP55 (IEC 60529), IK10 (IEC 62262)
Safety class	Safety Class I and overvoltage Category III
Pollution degree of the macro-environment	Pollution degree 3
Electromagnetic compatibility (EMC) classification	Environment A and Environment B (in accordance with IEC 61439-1)
Mechanical resistance for stationary assembly	High resistance
Connectivity	
Authorization	RFID reader or using an app
Wi-Fi	2.4/5 GHz
Local area network	Ethernet
Cellular communication	4G LTE-M (2G fallback supported)
Communication protocol	OCPP 2.0.1
Smart charging features	Dynamic Load Balancing, Cluster Load Balancing, EEBus compliant, ISO 15118 (hardware ready)
Physical properties	
Dimensions (W x H x D)	256 x 508 x 211 mm
Weight	Approximately 5 kg
Housing material	Low-carbon Makrolon RE [®]
HMI	5" 800 x 480 WVGA IPS LCD, LED ring, Buzzer, Authorization
Certification and compliance	
Power supply input	EV supply equipment permanently connected to AC supply network
Power supply output	AC EV supply equipment
Normal environmental conditions	Indoor and outdoor use
Access	Equipment for locations with non-restricted access
Equipment type	Stationary equipment that is wall-mounted or pole-mounted

⁽¹⁾Optional.

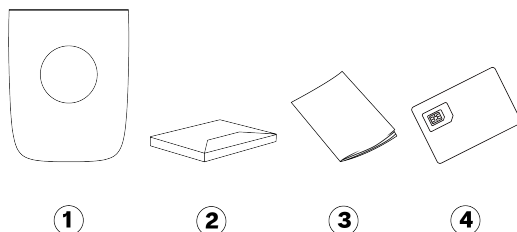
3.3. Delivered components

Components in the charging station box



- | | | | |
|-----|--------------------------------|-----|---|
| 1 | Charging station with socket | 3.3 | Wall-plugs, 8x65 mm, 3x |
| 2 | Wall bracket | 3.4 | Screws, M4x12 mm, T20, 2x |
| 3 | Installation kit | 3.5 | Torx bit, T20 security |
| 3.1 | Panel screws, 6x70 mm, T20, 3x | 4 | Cable gland kit |
| 3.2 | Washers, M6, 3x | 4.1 | Cable gland (with seal and blanking plug) |

Components in the cover box



- | | | | |
|---|-------------------------|---|------------------------------|
| 1 | Front cover | 3 | Installation and user manual |
| 2 | Welcome pack (optional) | 4 | SIM card (optional) |

4. Installation instructions

4.1. Prepare for installation

4.1.1. Plan for installation

The following recommendations help you to plan the installation of the charging station.

Choose location

- Position the charging station, where possible, in a location where it is not exposed to direct sunlight or vulnerable to external damage.
- The wall must have a flat structure and must be able to hold a load of at least 100 kg.
- The minimum free space around the charging station is 300 mm.
- The power cable can enter the charging station from the top or the bottom. The bottom cable entry A can be used in any location. The top cable entry B must only be used in a location where there is no risk of exposure to rain or moisture.

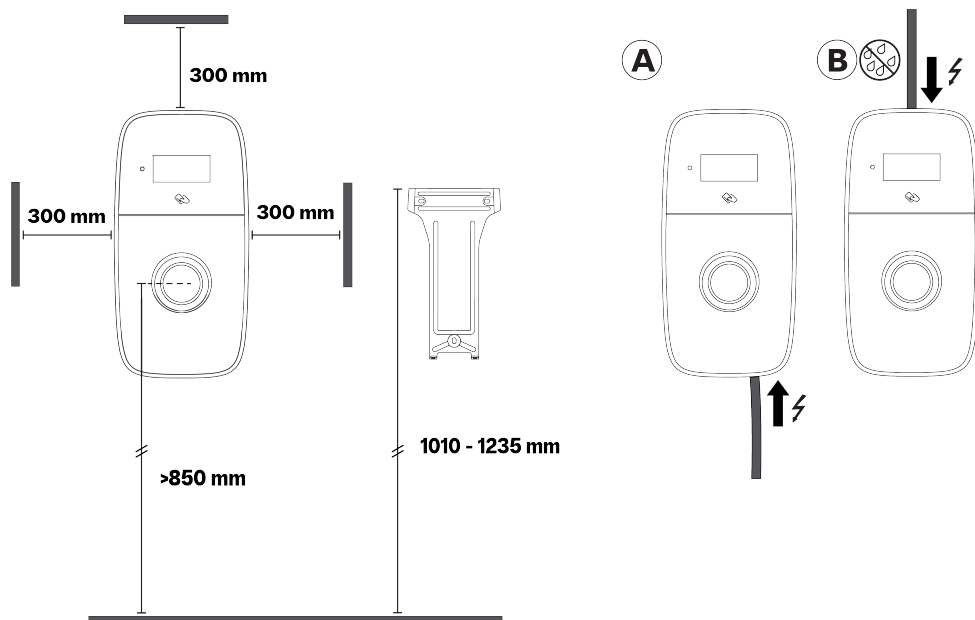
⚠ CAUTION

Risk of water ingress when the top cable entry B is used outdoors. Over a long period of time, rain and moisture can enter the charging station along the power cable, which can damage the charging station.

- Communication cable entry is only through the bottom of the charging station.

i Note

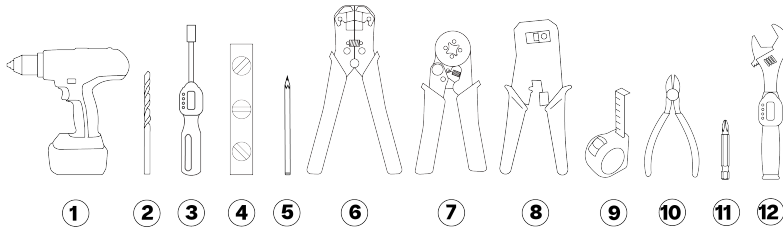
The following illustration shows the minimum recommended installation height. Observe and comply with the local accessibility regulations.

**Pre-installation checklist**

Before starting the installation of the charging station, check the following:

- The installation will be in accordance with IEC 60364 and any applicable local regulations.
- All necessary permits have been obtained from the local authority that has jurisdiction.
- The existing electrical load has been calculated to find the maximum operating current for the charging station installation.
- For a charging station without an RCBO, a miniature circuit breaker (MCB) and residual current device (RCD) are installed upstream and have the recommended ratings. See [Power supply requirements on page 15](#).
- The power supply cable with the correct specification has been routed to the installation area, and there is sufficient cable length to strip and connect the wires.
- The power supply cable will remain within its bending tolerance during and after installation.
- The recommended tools are available on site. See [Tools required on page 15](#).
- The plugs, screws, and drill bit used for installing the charging station are suitable for the wall structure.
- If using a cluster set up, the correct phase order is planned and the requirements are met. See [Optional: Cluster load balancing on page 18](#).

4.1.2. Tools required



- | | |
|---|--|
| 1. Drill | 7. Ferrule crimp tool |
| 2. Drill bit for masonry, 8 mm (5/16 in) | 8. Wire stripper and crimp tool (RJ45) |
| 3. Torque screwdriver with bit holder, 0.5 – 3 Nm | 9. Tape measure |
| 4. Spirit level | 10. Wire cutters |
| 5. Pencil | 11. Screwdriver bit, PH2 |
| 6. Wire stripper (power cable) | 12. Torque wrench, 3 – 6 Nm |

4.1.3. Power supply requirements

⚠ DANGER

Connecting the charging station to the power supply other than as specified in this section will result in incompatibility of the installation and risk of electric shock, which will cause damage to the charging station and injury or death.

- Connect the charging station only in a configuration that is specified in this section.

Earthing system	TN-S and TNC-S systems	PE-cable.
	TT-system IT-system	Earth electrode installed separately (self-installed).
Power input (phase)	1-phase	230 V \pm 10%, up to 32 A \pm 6%, 50/60 Hz.
	3-phase	400 V \pm 10%, up to 32 A \pm 6%, 50/60 Hz.
MCB (Miniature Circuit Breaker)	<ul style="list-style-type: none"> • Tripping characteristic: Type C. • The tripping current of the MCB can decrease if the ambient temperature in the power supply cabinet becomes high. Consider potential higher ambient temperatures when choosing the MCB specifications. • Not required for stations with a built-in RCBO. 	
	<p>i Note</p> <ul style="list-style-type: none"> • The installation, including the MCB, must be in accordance with IEC 60364 and any applicable local regulations. • The MCB must match the amperage settings of the charging station and the maximum current available for the charging station, in accordance with the MCB manufacturer specifications. • The maximum I²t value of the MCB must not exceed 75000 A²s. 	

RCD (Residual Current Device)	<ul style="list-style-type: none"> • RCD amperage rating: The rating must match the amperage of the charging station. • Standard installations: <ul style="list-style-type: none"> ◦ For France, the RCD must be a Type B with a rated current of 20 A or 40 A and have maximum 30 mA AC leakage current detection. ◦ For other countries, the RCD must be a Type A, F, or B with a rated current of 20 A, 32 A or 40 A and have maximum 30 mA AC leakage current detection. • EV Ready installations: The RCD must be a Type A+, high immunity (for example: HPI, SI, HI, KV, etc., depending on the RCD manufacturer). • Not required for stations with a built-in RCBO. <p>Note</p> <ul style="list-style-type: none"> • The installation, including the RCD, must be in accordance with IEC 60364 and any applicable local regulations. • The charging station has internal DC leakage detection with tripping times and limits compliant with IEC 61851-1:2017 Cl. 8.5. (in accordance with IEC 62955:2018 Table 2).
-------------------------------	---

Power supply wiring

The tables below describe how to connect the power supply to the charging station, depending on the type of the power supply and the configuration of the station.

⚠ WARNING

Connecting an IT power supply (without neutral) to a built-in Type A RCBO can result in damage to the charging station, which can cause injury or death.

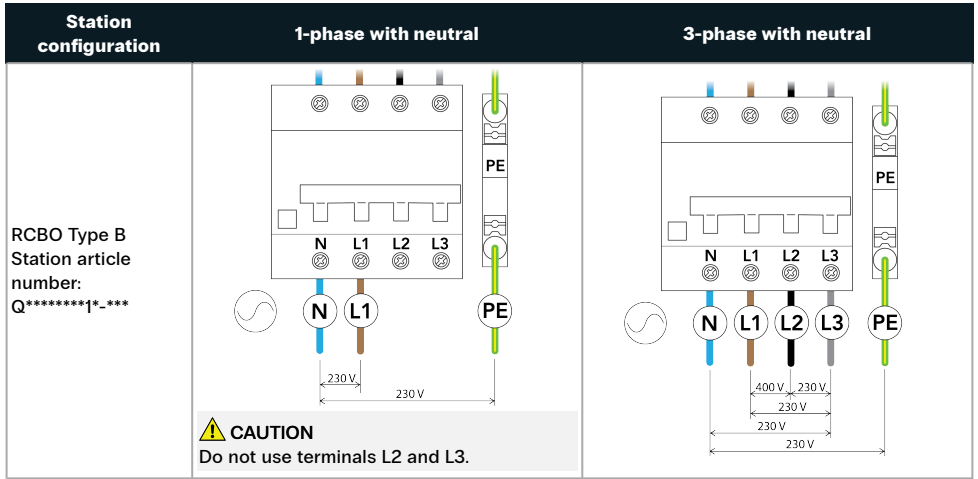
- Only connect a TN or TT 3-phase power supply (with neutral) to a built-in Type A RCBO.

TN and TT power supply to RCBO

Note

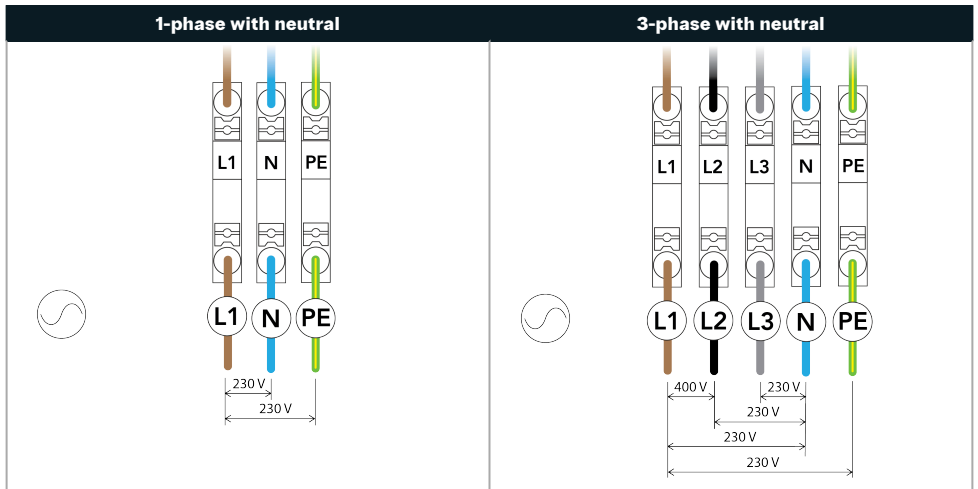
This section is only applicable to stations with a built-in RCBO.

Station configuration	1-phase with neutral	3-phase with neutral
RCBO Type A Station article number: Q*****G*.***	<p>⚠ CAUTION</p> <p>Not supported. Do not connect a single phase supply to a station with a 3-phase plus neutral RCBO.</p>	



TN and TT power supply

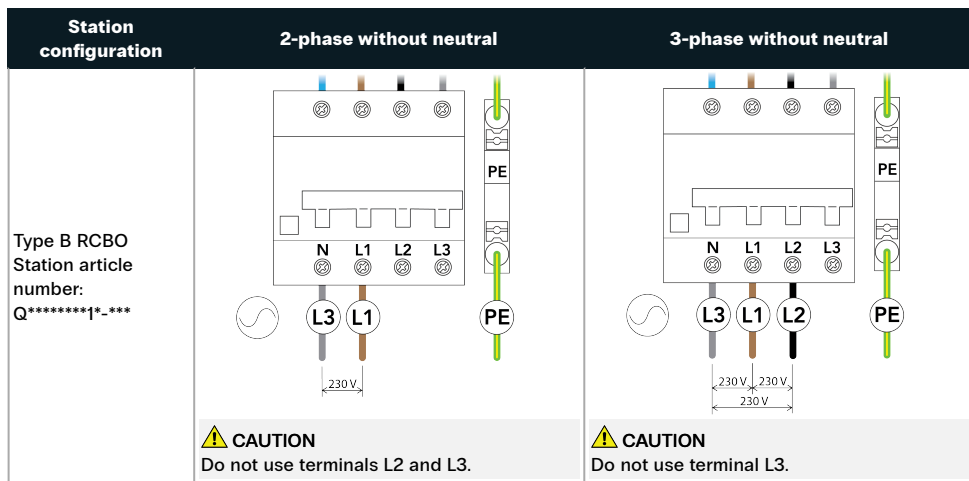
Note
This section is only applicable to stations without a built-in RCBO.



IT power supply (without neutral) to RCBO

CAUTION
Make sure that local regulations permit the installation of this charging station on an IT-grid without neutral. Make sure that the EV is compatible with this type of installation.

Note
This section is only applicable to stations with a built-in RCBO.



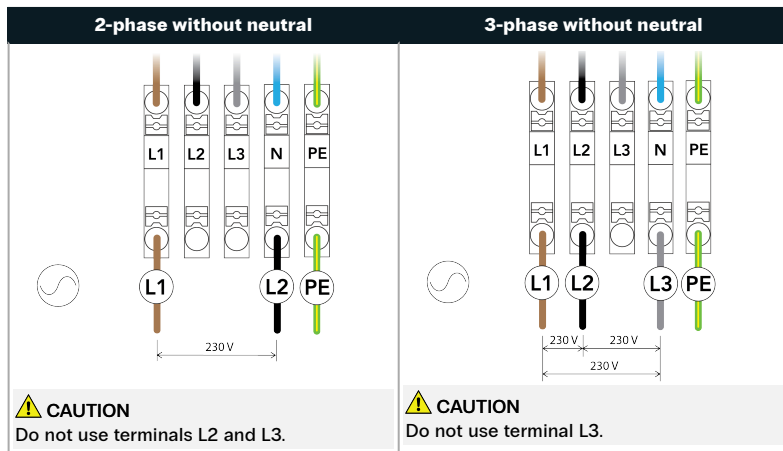
IT power supply (without neutral)

CAUTION

Make sure that local regulations permit the installation of this charging station on an IT-grid without neutral. Make sure that the EV is compatible with this type of installation.

Note

This section is only applicable to stations without a built-in RCBO.



4.1.4. Optional: Dynamic load balancing

Dynamic load balancing monitors the power consumption of all electrical appliances using the same power source. The EVBox Dynamic Load Balancing Kit supplies a control signal to the charging station to regulate the current that the station supplies to the EV, which keeps the total power consumption from the power source within preset limits.

Dynamic load balancing requires a wired input from a load balancing detection system (see [Charging station communication on page 30](#)).

4.1.5. Optional: Cluster load balancing

A cluster load balancing installation consists of multiple charging stations connected in a cluster. A cluster

enables a smart grid to be established across the whole cluster to optimize power usage. Any station can be used as the connected station in the cluster. The cluster is set-up using EVBox Install App. For correct load balancing, a cluster must be connected to a single power supply circuit.

Cluster load balancing requires each station in the cluster to be connected to the same local area network (LAN) using the Ethernet connection (see [Charging station communication on page 30](#)).

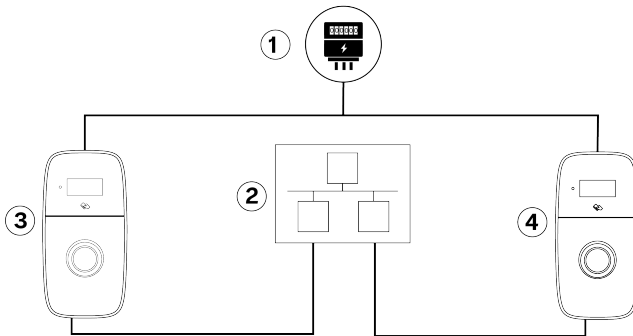
Cluster load balancing requirements

Charging station	EVBox Liviqo EVBox Livo
Ethernet Switch	<ul style="list-style-type: none"> • IPv6 support • Not managed • Number of ports: The number of port must be equal or greater than the number of chargers connected to the cluster. • RJ45 port • 100 Mbps or higher • Static Multicasting: Disabled • Dynamic Multicasting (MLD snooping): Disabled <div style="background-color: #f0f0f0; padding: 5px;"> <p>Note</p> <ul style="list-style-type: none"> ◦ For large clusters, two or more switches can be combined in the same network. ◦ One additional port is required if the switch is used for internet connection. </div>
Cables	<ul style="list-style-type: none"> • CAT5 • Length: 100 m maximum length for each cluster node

Connection Diagram

The following diagram describes how multiple charging stations are connected in a cluster.

Note
The diagram does not include the internet connection of the charging station. The internet connection of the charging station may be set up using cellular, Wi-Fi, or Ethernet.



- | | |
|--------------------|-----------------|
| 1. Power supply | 3. AC charger 1 |
| 2. Ethernet switch | 4. AC charger N |

Phase rotation

To avoid overloading the first phase with single-phase electric vehicles, the phase order for each charging station that connects to a 3-phase supply in a Power-Sharing installation must be configured using the EVBox Install App.

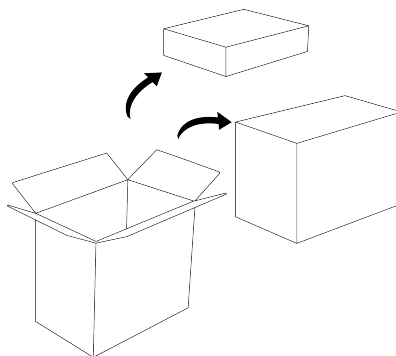
4.1.6. Only for applicable countries: Remote power control by DSO

According to Technical Connection Rules VDE-AR-N-4100:2019-04 Cl. 10.6.4, a charging station with a total rated power of more than 12 kVA must have a remote power control interface to allow remote shutdown of the station by the Distribution System Operator (DSO). This charging station can be connected by cable to an upstream DSO device equipped with a Normally Open (NO) relay. When the relay closes, the station enters a suspended state and charging is paused. Charging resumes when the relay opens. See [Charging station communication on page 30](#) for cable connection instructions.

Registration with the DSO is required.

4.2. Unpacking

1. Open the shipping box. Remove the cover box and the charging station box.

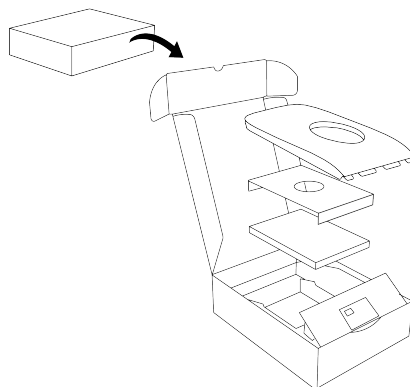


2. Open the cover box. Find the front cover, the Welcome Pack (optional), the charging station documentation, and the SIM card (optional).

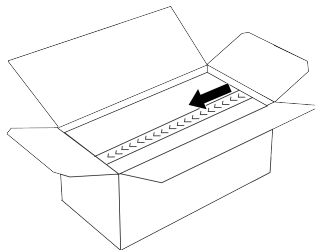


Note

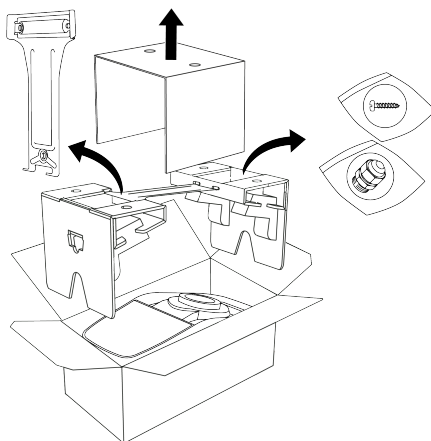
To prevent damage, leave the front cover in the packaging until installation.



3. Open the station box.



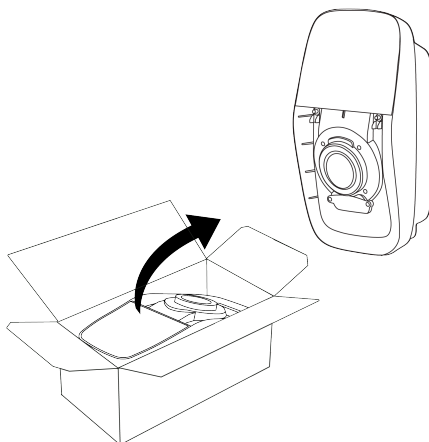
4. Remove the three cardboard fillers, the wall bracket, and the installation kits.



5. When the charging station can be installed on the wall bracket, remove the charging station from the packaging.

i Note

To prevent damage, leave the charging station in the packaging until installation.

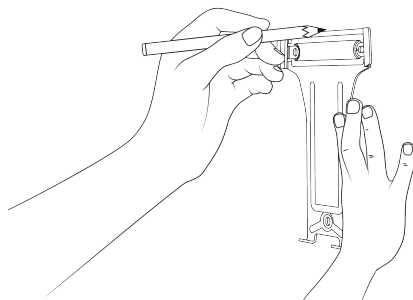


4.3. Install the wall bracket and charging station

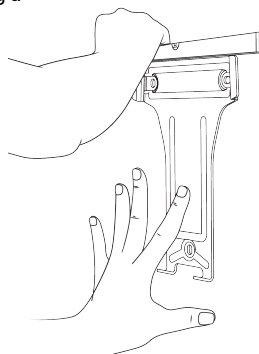
CAUTION

Follow the recommendations in [Plan for installation on page 13](#) when selecting a location and an installation height for the charging station, and when choosing a power cable entry.

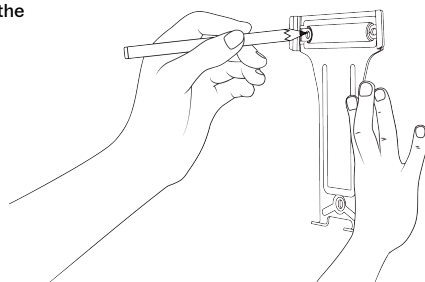
1. Install the wall bracket as follows:
 - a. Mark the height of the top of the wall bracket.



- b. Hold the wall bracket on the wall and level it using a spirit level.

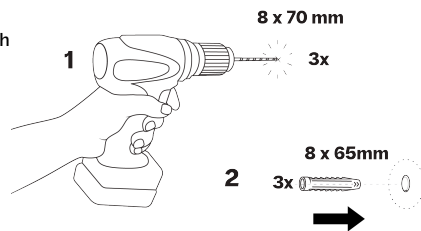


- c. Mark the three screw points on the wall. Remove the wall bracket.

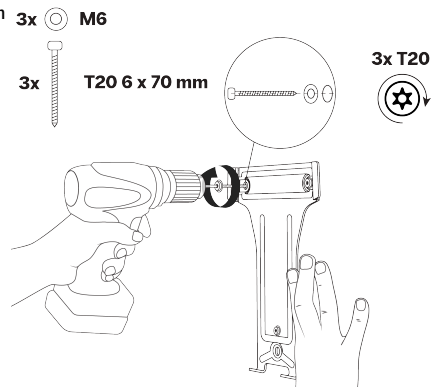


4. Installation instructions

- d. Drill an 8 mm hole to a depth of 70 mm at each screw point. Install an 8 x 65 mm wall plug in each hole.

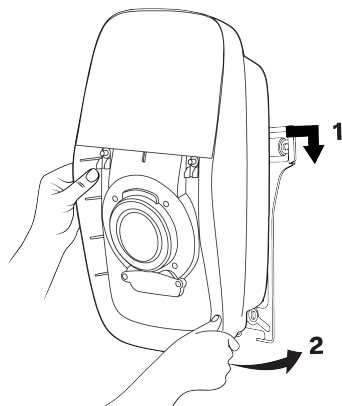


- e. Install the wall bracket using three T20 6 x 70 mm screws and M6 washers.



2. Install the charging station as follows:

- a. Engage the charging station with the top of the wall bracket, then rotate the charging station down to align the two lower screw holes.

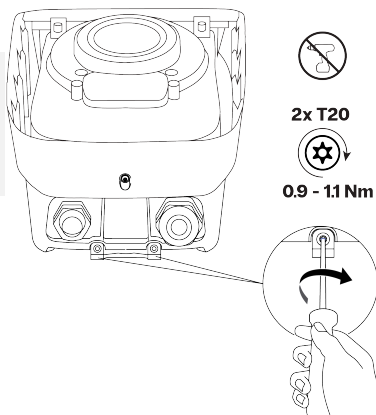


- b. Install two security Torx T20 screws to attach the charging station to the wall bracket.

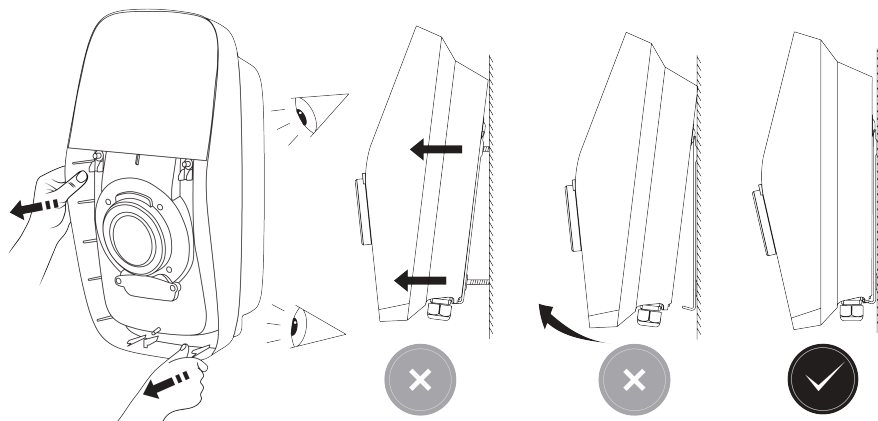
⚠ CAUTION

Using a power screwdriver with a high torque can damage the screws and components.

- Use only a low-torque screwdriver with the correct torque setting.



- c. Gently pull on the charging station to make sure it is securely attached to the wall bracket and to the wall.



4.4. Connect the power cable

The charging station has two interchangeable cable glands:

- The installed cable gland is for a power cable with a sheath diameter of 13 to 25 mm.
- The cable gland kit is for a power cable with a sheath diameter of 12 to 20 mm.

The terminals accept a wire gage in the following range:

- Solid wire: maximum 16 mm².
- Stranded wire with ferrule (without plastic sleeve): maximum 10 mm².

The power cable can enter the charging station from the top or the bottom. The bottom cable entry A can be used in any location. The top cable entry B must only be used in a location where there is no risk of exposure to rain or moisture.

⚠ CAUTION

Follow the recommendations in [Plan for installation on page 13](#) when selecting the power cable entry point for the charging station.

i Note

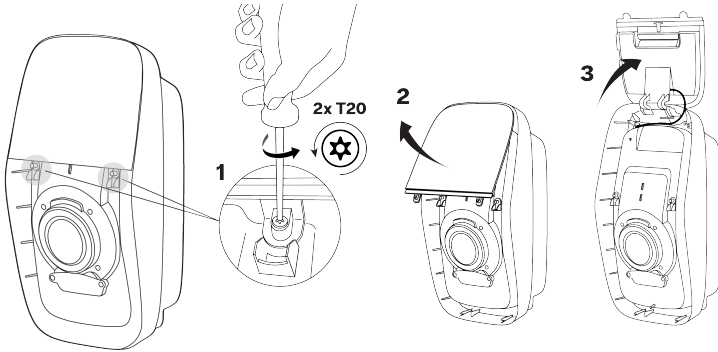
Communication cable entry is only through the bottom of the charging station.

Note

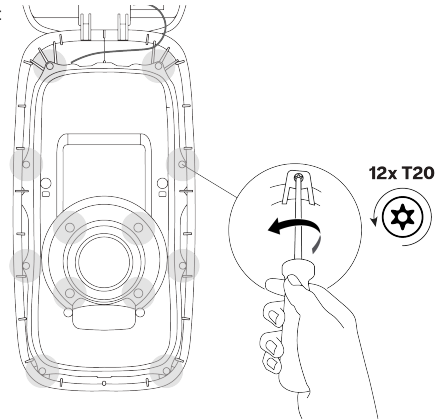
All security Torx T20 screws are captive. Do not fully remove the captive screws from the charging station.

1. Remove the inner cover as follows:

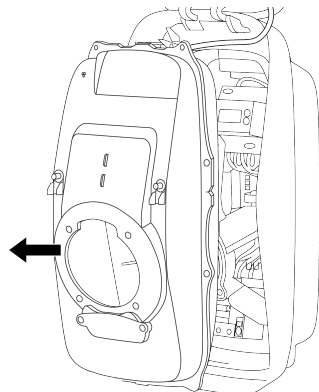
- a. Loosen the two Torx security T20 captive screws that secure the display cover. Fully open the display cover so it locks in the open position.



- b. Loosen the 12 Torx security T20 captive screws that attach the inner cover.

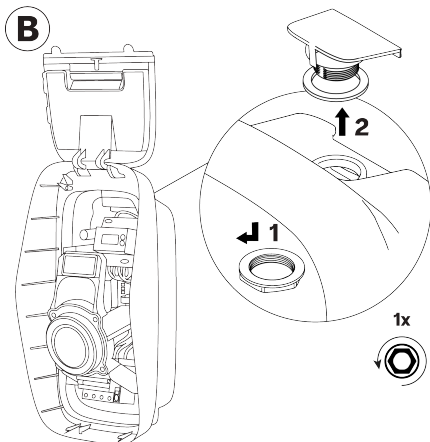


- c. Remove the inner cover.

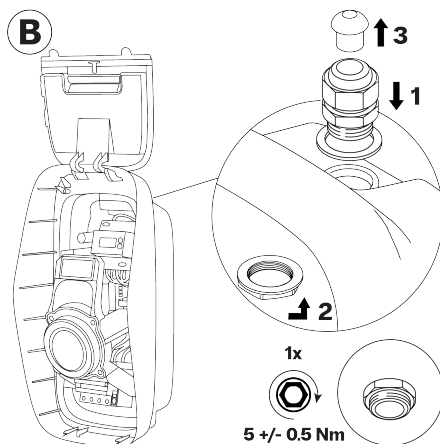


2. For top cable entry B: Prepare the top entry for the power cable as follows:

- a. Remove the nut that secures the cover on the top entry. Remove the cover.
Keep the nut to use on the cable gland. Store the cover in the packaging.



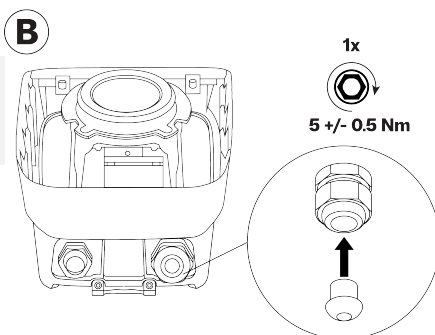
- b. Install the cable gland and seal in the top entry. Install and tighten the nut.
Remove the blanking plug from the cable gland and keep it for later use.



- c. Install the blanking plug in the unused gland in the bottom of the charging station.

⚠ CAUTION

Make sure that the blanking plug is installed in the cable gland to maintain the IP code of the charging station.

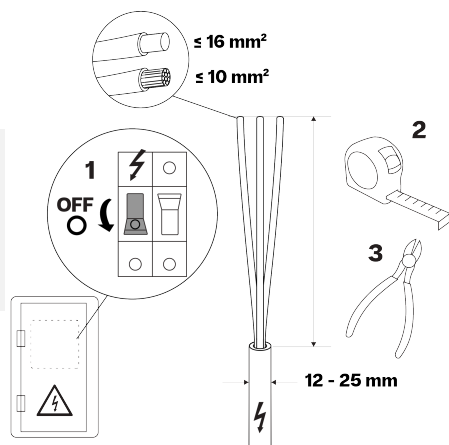


4. Installation instructions

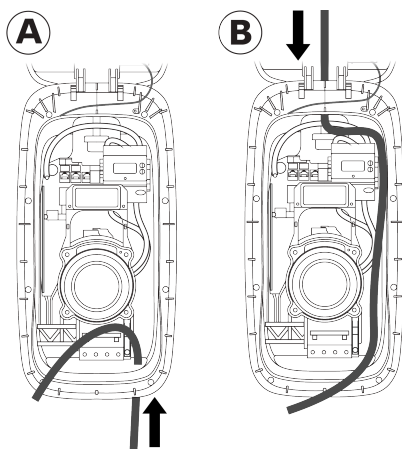
3. Cut the power cable and strip the outer sheath so the cable and its wires will have sufficient length to connect to the RCBO and PE terminal terminal block in the charging station. If required, install extra insulation on the individual wires.

⚠ CAUTION

To protect Separated Extra Low Voltage (SELV) circuits, the stripped single-insulated wires must not touch the components on the main board. When required, install double insulation on the individual wires, for example using heat-shrink tubing or insulation sleeves.



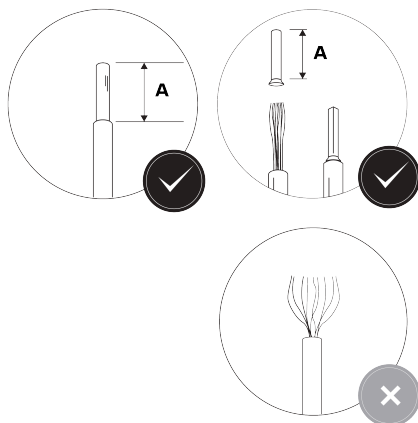
4. Feed the power cable into the charging station using bottom cable entry A or top cable entry B. Route the power cable to the connection points. Leave sufficient length to strip and connect the wires.



5. Strip the wire ends of the power cable:

- For an RCBO, A = 12 mm
- For a terminal block, A = 18 mm

When stranded wires are used, install wire end sleeves and apply a square crimp for optimal fit into the RCBO and the PE terminal block.



6. For a station with a built-in RCBO: Connect the power cable as follows:

⚠ WARNING

Incorrect connection of the power wires can result in the risk of electric shock, and thus cause damage to the charging station, and injury or death.

- Make sure that the power wires are securely connected.



Note

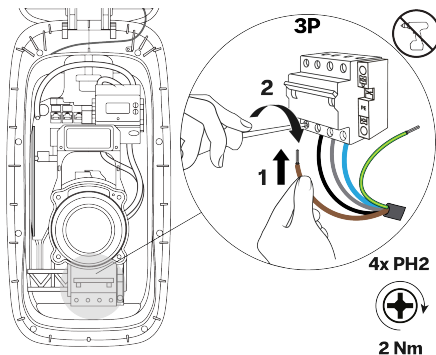
Connect the wires in accordance with the power supply wiring schematics in [Power supply requirements on page 15](#).



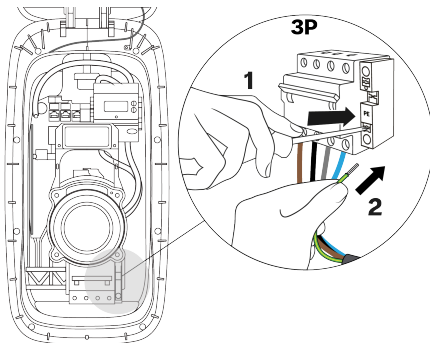
Note

Type B RCBOs are installed upside down in the charging stations.

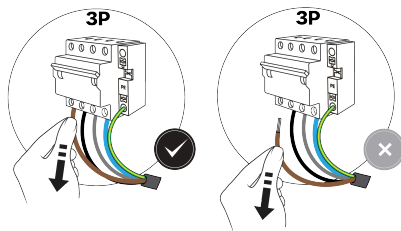
- a. Connect the wires of the power cable to the RCBO. Tighten the screws to secure the wires.



- b. Connect the PE wire of the power cable to the PE terminal block.



- c. Pull each wire to check that each wire is securely connected.



7. For a station with terminal blocks: Connect the power cable as follows:

⚠ WARNING

Incorrect connection of the power wires can result in the risk of electric shock, and thus cause damage to the charging station, and injury or death.

- Make sure that the power wires are securely connected.

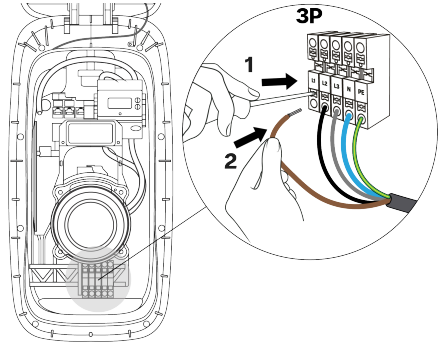
i Note

Connect the wires in accordance with the power supply wiring schematics in [Power supply requirements on page 15](#).

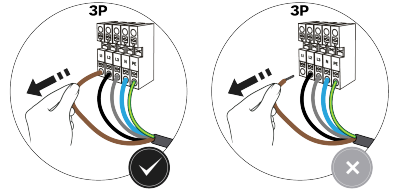
i Note

The illustrations show a 3-phase with neutral connection.

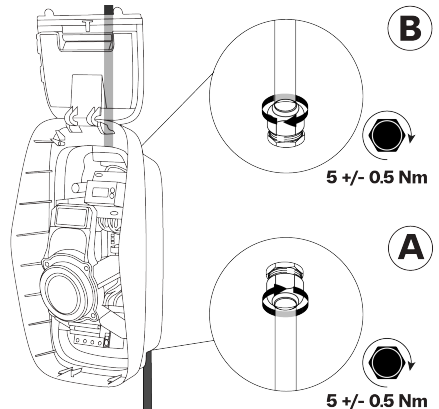
- a. Connect the wires of the power cable to the terminal blocks.



- b. Pull each wire to check that each wire is securely connected.



8. Tighten the cable gland to secure the power cable and to maintain the IP code for the charging station.



4.5. Charging station communication

Communication cable entry is only through the left cable gland in the bottom of the charging station. A maximum of four communication cables can enter the charging station through the gland.

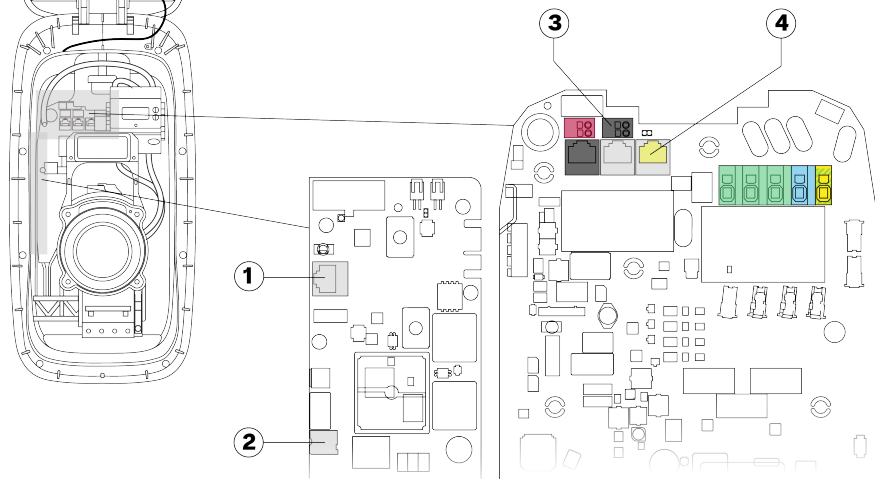
There are three options to connect the charging station to the Internet:

- Ethernet (recommended option)
- Wi-Fi (see [Configuration on page 39](#))
- Cellular (SIM card)

Communication connections and components

i Note

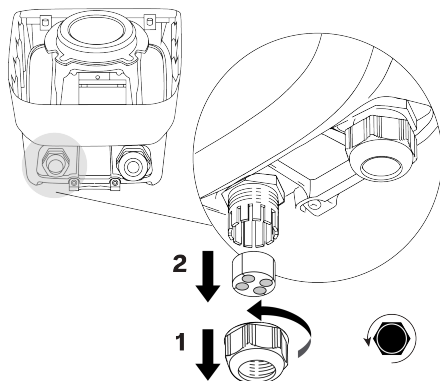
The communication connections and components used depend on the model of the charging station and the required functionality.



1. Ethernet socket for wired internet connection
2. Nano-SIM card slot for cellular internet connection
3. Terminals for active power control (only for Germany)
4. CT IN socket for dynamic load balancing

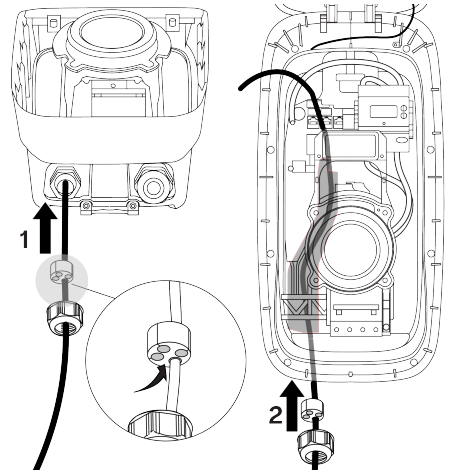
4.5.1. Route communication cables

1. Remove the cable gland nut and seal from the left cable gland.



4. Installation instructions

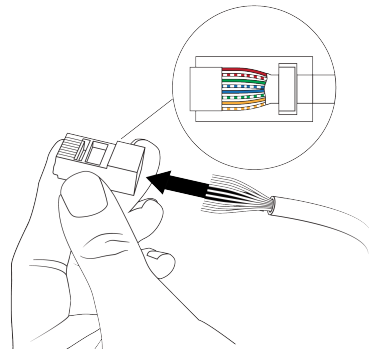
2. Feed the required communication cables through the cable gland nut and seal, then through the left cable gland in the bottom of the charging station. Feed the cables through the cable channel to the top of the charging station.



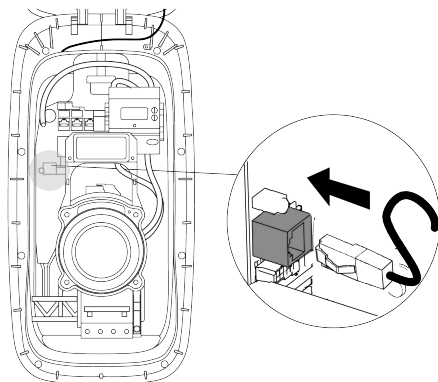
4.5.2. Optional: Connect Ethernet cable for Internet

Note

- Use any network cable of Cat5 and above (Cat5, Cat5e, Cat6), with twisted pair wires.
- The use of shielded network cable is recommended but not mandatory.
 - If a shielded cable is used, do not ground the shield.
 - For outdoor installations, use a UV-stabilized network cable.
 - Network cables can have a pre-installed RJ45 plug, or the RJ45 plug can be installed before or after routing the network cable into the charging station.
1. If an RJ45 plug is not pre-installed, install an RJ45 plug on the network cable.



2. Connect the network cable RJ45 plug to the Ethernet socket on the communication board.

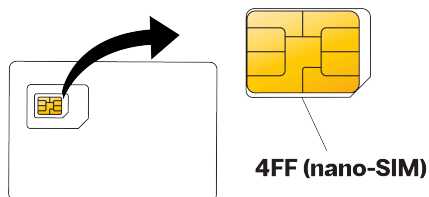


4.5.3. Optional: Install SIM card for Internet

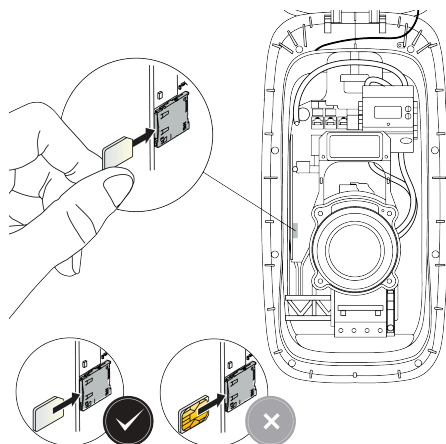
Note

Only certain SIM cards are supported.

1. Remove the 4FF (nano-SIM) SIM card from its card.



2. Push in and lock the 4FF (nano-SIM) SIM card in the slot in the communication board. The SIM card contacts must face the communication board.



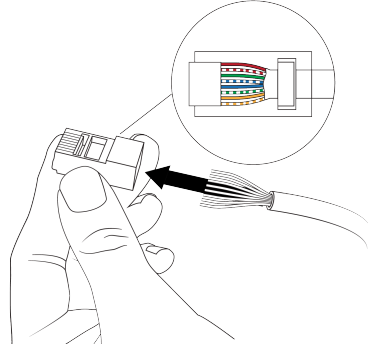
4.5.4. Optional: Connect dynamic load balancing cable

i Note

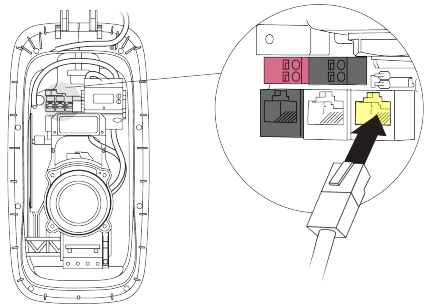
Use any network cable of Cat5 and above (Cat5, Cat5e, Cat6), with twisted pair wires.

- The use of shielded network cable is recommended but not mandatory.
- If a shielded cable is used, do not ground the shield.
- For outdoor installations, use a UV-stabilized network cable.
- Network cables can have a pre-installed RJ45 plug, or the RJ45 plug can be installed before or after routing the network cable into the charging station.

1. If an RJ45 plug is not pre-installed, install an RJ45 plug on the network cable.



2. Connect the network cable RJ45 plug to the CT IN socket.



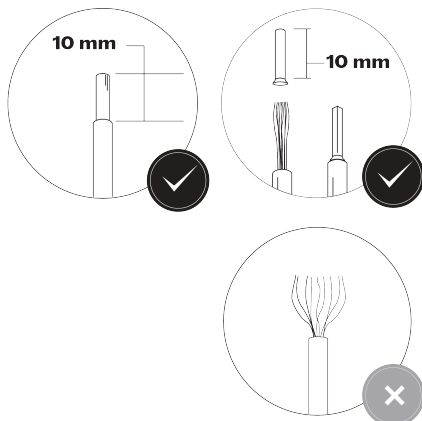
4.5.5. Only for applicable countries: Connect remote power control cable

The terminal blocks accept a wire gauge in the following range:

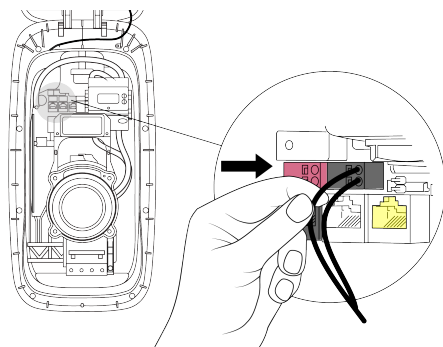
- Solid wire: maximum 1.5 mm².
- Stranded wire with ferrule (without plastic sleeve): maximum 1.5 mm².

Use double-insulated cable that is resistant to temperatures of up to 90 °C.

- Strip the wire ends of the active power control cable.
When stranded wires are used, install ferrules (without plastic sleeves) and apply a square crimp for optimal fit into the terminal blocks.



- Connect the active power control wires to the black terminal block (digital input 1).



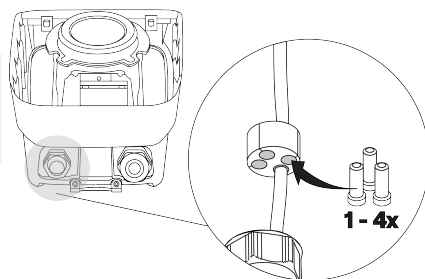
- Connect the other end of the active power control cable to a DSO control device with normally-open (NO) contacts.

4.5.6. Tighten the cable gland

- Install blanking plugs in the unused entries in the cable gland seal.

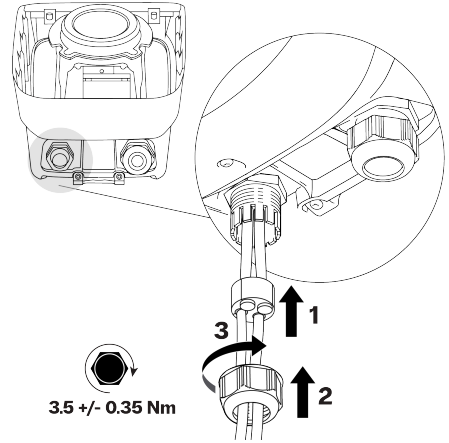
CAUTION

Make sure that blanking plugs are in place in the unused entry points in the cable gland to maintain the IP code of the charging station.



4. Installation instructions

2. Move the cable gland seal up into the cable gland, then tighten the cable gland to secure the network cables and blanking plugs.

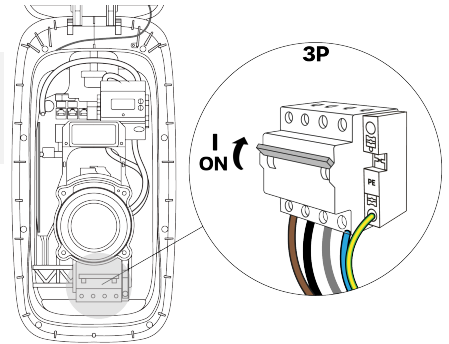


4.6. Install the charging station covers

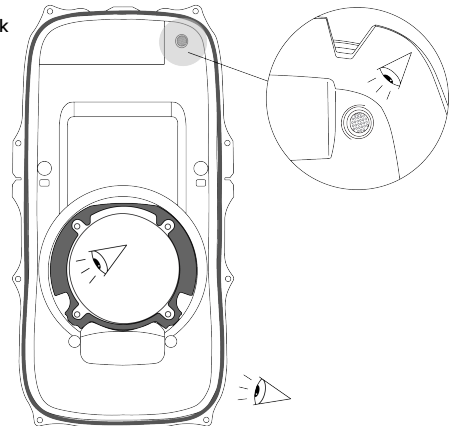
1. For a station with a built-in RCBO: In the charging station, make sure that the RCBO is switched on.

i Note

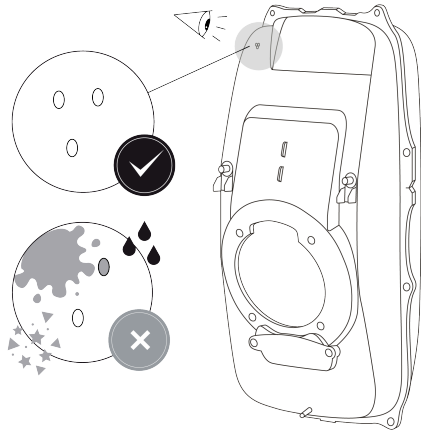
Type B RCBOs are installed upside down in the charging stations. If the charging station has a Type B RCBO, the on and off directions are reversed.



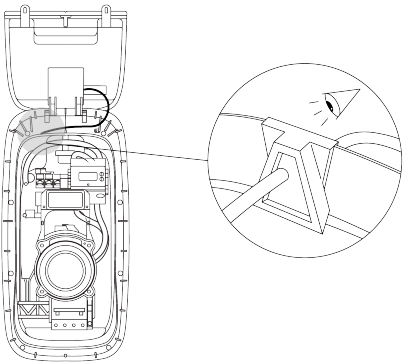
2. Before installation, check the inner cover as follows:
 - a. On the inside, check that the inner cover seal and the center seal are clean and free of damage. Check that the venting membrane is secure and free of damage.



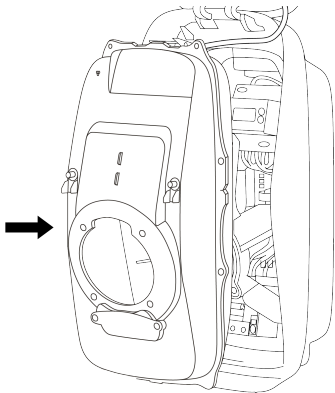
- b. On the outside, check that the three venting holes are not blocked by water, dust, or debris.



- 3. On the charging station, check that the feed-through seal for the display cable is correctly installed.



- 4. Install the inner cover as follows:
 - a. Engage the bottom of the cover below the center hole, then push the top of the cover into position.



- b. Tighten 12 security Torx T20 captive screws in the order shown to secure the inner cover.

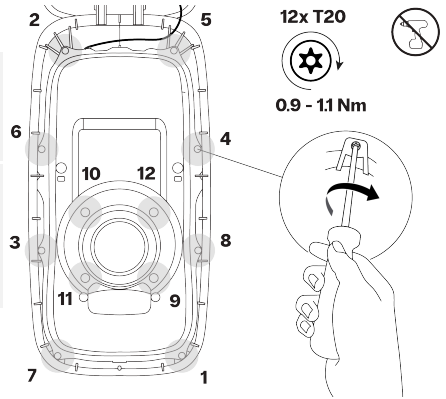
⚠ CAUTION

Risk of water ingress. Rain and moisture can enter the charging station if the screws are not tightened in the correct order.

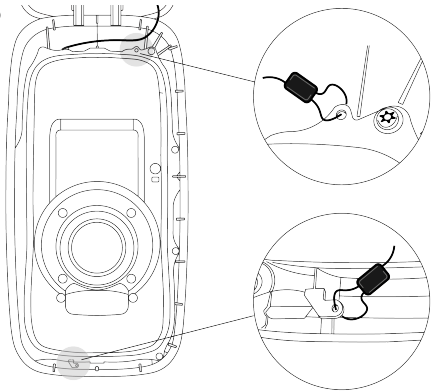
⚠ CAUTION

Using a power screwdriver with a high torque can damage the screws and components.

- Use only a low-torque screwdriver with the correct torque setting.



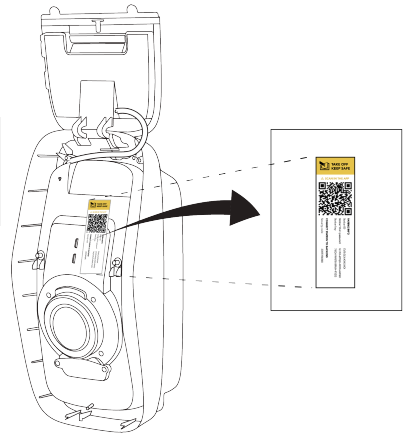
- c. Optional: Install two tamper-evident seals on the top right and bottom left corners of the inner cover.



5. Remove the sticker containing the charging station-specific information from the inner cover. Store the sticker with the charging station documentation. The information on the sticker is required during configuration.

⚠ CAUTION

To prevent unauthorized access to the charging station settings, do not leave the sticker with the charging station.



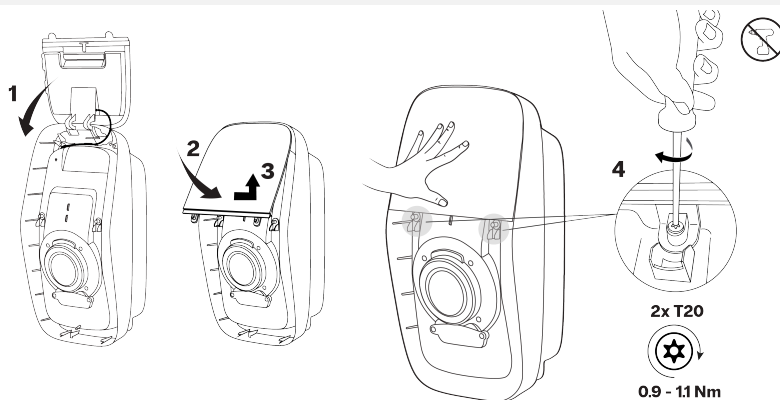
6. Install the display cover and the front cover as follows:

- a. Close the display cover and hold it closed. Secure the display cover using two security Torx T20 captive screws.

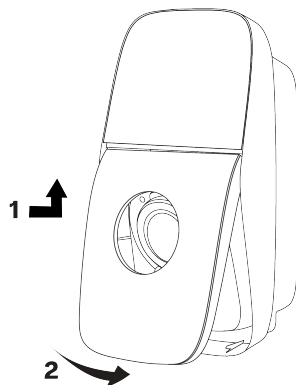
⚠ CAUTION

Using a power screwdriver with a high torque can damage the screws and components.

- Use only a low-torque screwdriver with the correct torque setting.



- b. Engage the top edge of the front cover under the bottom edge of the display cover, then rotate the cover down to align the lower screw hole.

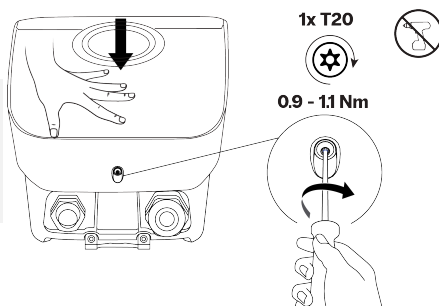


- c. Push the front cover against the spring. Tighten the security Torx T20 captive screw to secure the front cover on the charging station.

⚠ CAUTION

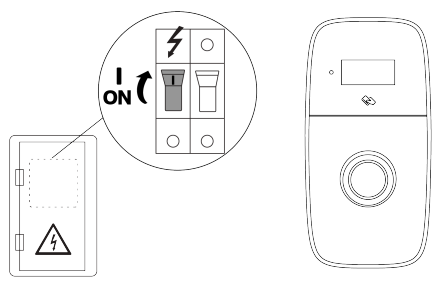
Using a power screwdriver with a high torque can damage the screws and components.

- Use only a low-torque screwdriver with the correct torque setting.



4. Installation instructions

- 7. Switch on the power to the charging station. The LED ring shows spinning white to indicate that the charging station is booting.



The charging station is now fully installed. The LED ring shows white, blinking on and off two times, to indicate that configuration can be started.

4.7. Configuration

For the charging station to function, it must be connected to the Internet. Once connected, it is recommended to activate the charging station on a Charging Management Platform (CMP) to fully benefit from all the charging station features and online support.

Configuration must be completed before the charging station can be used.

4.7.1. Configure the charging station

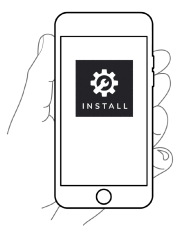
⚠ WARNING
 Risk of electric shock, which can cause severe injuries or death. Only a qualified electrician is permitted to use the EVBox Install app to configure the charging station.

- 1. Download and install EVBox Install App on your smartphone or tablet.



- 2. Open EVBox Install App and follow the instructions in the app.

The charging station-specific information required for station configuration is on the sticker that was removed during installation.



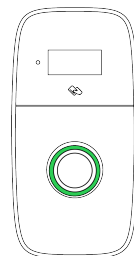
3. Using EVBox Install App, set the following key settings to ensure that the charging station operates safely:
 - Maximum charging current.
 - Internet connectivity.
 - Other configuration settings.

4.7.2. Optional: Activate the charging station with CMP

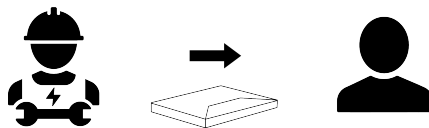
For an online charging station, the user must activate the charging station with the Charging Management Platform (CMP) on the CMP website or by using the CMP-specific app. Contact the Charging Point Operator (CPO) for details about the charging station activation procedure.

4.7.3. Ready for use

The charging station is ready to charge an EV when the covers are installed on the charging station, the commissioning is completed, and the LED ring shows steady green



Hand over all documentation to the owner. The owner must retain all documentation delivered with the charging station in a safe place for the entire life cycle of the product.



5. User instructions

DANGER

Not following the user instructions given in this manual will result in the risk of electric shock, which will cause severe injury or death.

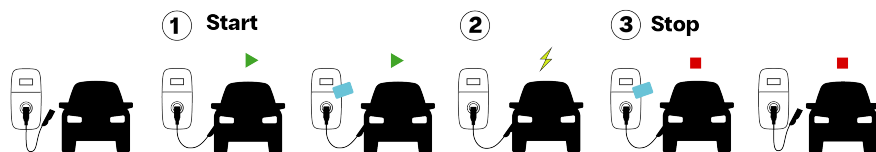
- Read the safety precautions and the user instructions in this manual before using the charging station.
- If you are unsure about how to use the charging station, contact your reseller for more information.

5.1. Start and stop a charging session

Note

Charging session instructions are also shown on the display.

1. Start charging:
 - Fully unwind your charging cable.
 - Connect the charging cable to the charging station and your vehicle.
 - If you use a charge card or key fob, hold it in front of the reader on the charging station to start charging.*
2. Your vehicle is charging.
3. Stop charging:
 - If you use a charge card or key fob**, hold it in front of the reader on the charging station to stop charging.*
 - Disconnect the charging cable from your vehicle and the charging station.



* When the charging station is configured to only accept charge cards or key fobs.

** You must use the same charge card or key fob that you used to start the charging session.

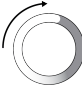







5.2. Status indication


Note

The status of the charging station is also shown on the display.

Note

Some features and status indications are not available on all models.

LED ring	Color	State description
	White (spinning)	Charging station is starting, or software is updating.
	White (blinking)	Charging station is waiting for configuration using EVBox Install App.
	Green (constant)	Idle. Charging station is ready to charge.
	Red (constant)	Authentication not accepted. Indication changes to Green after 5 seconds.
	Blue (constant)	<ul style="list-style-type: none"> Charging station is waiting for vehicle. Charging is paused.
	Blue (filling from bottom)	The vehicle is charging.
	Green (blinking)	The charging session is complete. The vehicle can be disconnected from the charging station.
	Orange (constant)	Charging is slow or paused because of high temperature. Charging will resume automatically.

LED ring	Color	State description
	Orange (blinking)	Charging session has failed. Disconnect the vehicle and try again.

5.3. Maintenance by user

The user of the charging station is responsible for the condition of the charging station, whereby both the law regarding the safety of persons, animals, and property must be observed, as well as the installation regulations in force in the country of use. Have the charging station and its installation inspected by a qualified electrician on a regular basis and in compliance with installation regulations applicable in your country.

DANGER

Extensive exposure of the charging station to water will result in the risk of electric shock, which will cause severe injury or death.

- Do not direct powerful jets of water toward or onto the charging station.
- Do not put the charging plug into any liquid.

CAUTION

Do not use aggressive chemical cleaners or solvents to clean the charging station.

1. Remove dirt and natural organic matter from the outside of the charging station using a damp soft cloth. Make sure that the display, the LED ring and the light sensor are clean.
2. Visually check the charging station and the socket. If you suspect that the charging station or socket are damaged or dirty, contact a qualified electrician to repair or replace the damaged components.
3. Gently pull on the charging station to make sure it is still securely installed. Make sure that the station outer cover is secure. If the charging station or the cover is loose, contact a qualified electrician to correctly re-install the station.

5.4. Log in to the charging station

Using a Wi-Fi enabled smartphone, tablet, or laptop, the user can log in to the charging station to change settings such as Wi-Fi, and view the software licenses. For instructions, see help.evbox.com.



6. Troubleshooting

DANGER

Servicing and repair of this charging station by a non-qualified person will result in the risk of electric shock, which will cause severe injury or death.

- Only a qualified electrician is permitted to service or repair the charging station.
- The user must not attempt to service or repair the charging station as it does not contain user-serviceable parts.

6.1. Error indication

LED ring	Color	State description	Action
	Red (constant)	An error has occurred.	Follow the instructions shown on the display.
	Off	The power supply has failed.	Check the power supply to the station. Reset the MCB or RCD in the power supply cabinet. For a station with a built-in RCBO, check if the RCBO is open (see Configuration on page 39).

Note

Some error states are solved by switching the power off and on again.

- For stations without a built-in RCBO, switch the power off and on again at the power supply cabinet.
- For stations with a built-in RCBO, switch the power off and on again using the RCBO (see [Configuration on page 39](#)).

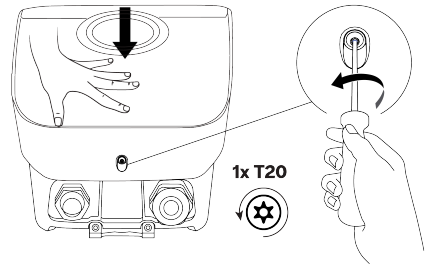
6.2. Access the RCBO

This procedure is only applicable for charging stations that have an built-in RCBO. The RCBO is accessible through an access cover located on the inner cover. Before starting this procedure, make sure that power is being supplied to the charging station.

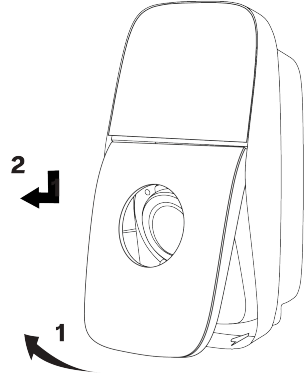
Note

All security Torx T20 screws are captive. Do not fully remove the captive screws from the charging station.

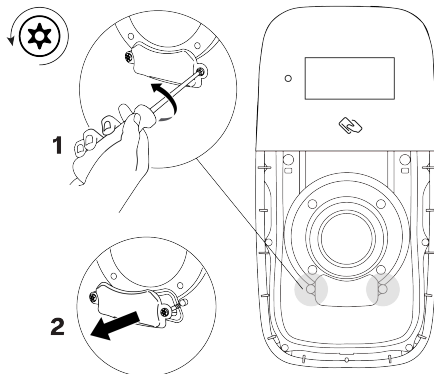
1. If an EV is connected to the charging station, disconnect the EV.
2. Push the front cover against the spring, then loosen one security Torx T20 captive screw that secures the front cover on the charging station.



3. Rotate the front cover up, then disengage the top edge of the front cover from under the bottom edge of the display cover.



4. Loosen two security Torx T20 captive screws. Remove the RCBO cover from the inner cover.

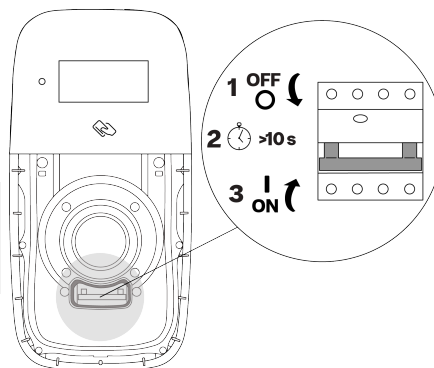


5. To switch the charging station off and then on again, switch off the RCBO, wait 10 seconds, then switch on the RCBO.

The LED ring shows spinning white to indicate that the charging station is booting. The charging station is ready to charge an EV when the LED ring shows steady green.

Note

Type B RCBOs are installed upside down in the charging stations. If the charging station has a Type B RCBO, the on and off directions are reversed.

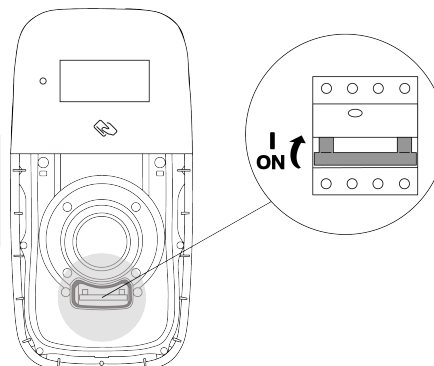


6. For an open RCBO, move the RCBO switch down.

The LED ring shows spinning white to indicate that the charging station is booting. The charging station is ready to charge an EV when the LED ring shows constant green.

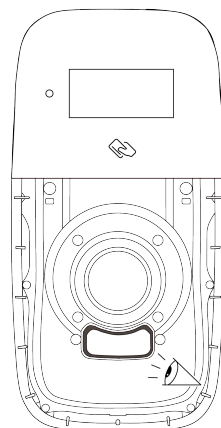
Note

Type B RCBOs are installed upside down in the charging stations. If the charging station has a Type B RCBO, the on and off directions are reversed.



6. Troubleshooting

7. Check that the seal on the inner cover is clean and free of damage.

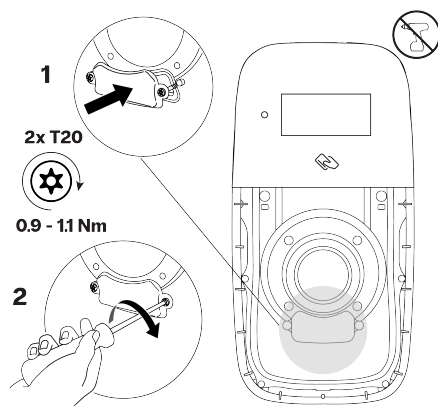


8. Install the RCBO cover on the inner cover. Tighten two security Torx T20 captive screws.

CAUTION

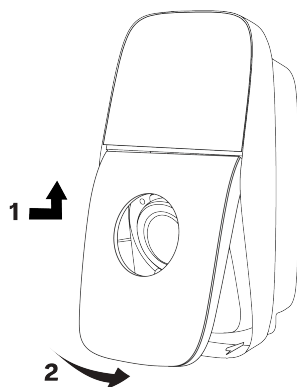
Using a power screwdriver with a high torque can damage the screws and components.

- Use only a low-torque screwdriver with the correct torque setting.



9. Install the front cover as follows:

- a. Engage the top edge of the front cover under the bottom edge of the display cover, then rotate the cover down to align the lower screw hole.

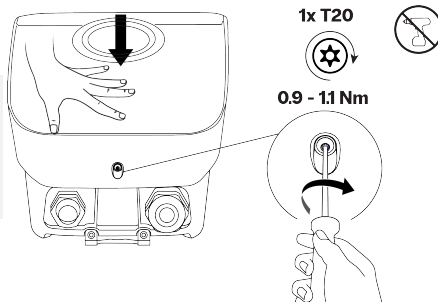


- b. Push the front cover against the spring. Tighten the security Torx T20 captive screw to secure the front cover on the charging station.

⚠ CAUTION



Using a power screwdriver with a high torque can damage the screws and components.

- Use only a low-torque screwdriver with the correct torque setting.



7. Decommissioning

Decommission and recycle the charging station in accordance with the applicable local disposal regulations.

	Do not dispose of this charging station in household waste. Instead, dispose of this charging station at a local collection point for electric/electronic devices in order to enable recycling and thus avoid negative and hazardous impacts on the environment. Ask your city or local authorities for respective addresses.
	Recycling of materials saves raw materials and energy and makes a major contribution to conserving the environment.



Points de collecte sur www.quefairedemesdechets.fr
Privilégiez la réparation ou le don de votre appareil !

8. Appendix

8.1. Glossary

Abbreviation	Meaning
1P	1-phase power supply (input and output). The station rating is shown on the bottom of the station.
3P	3-phase power supply (input and output). The station rating is shown on the bottom of the station.
AC	Alternating Current.
CMP	Charging Management Platform. The backend platform that links a charging station to the CPO.
CPO	Charging Point Operator. The owner and/or operator of the charging station installation.
DSO	Distribution System Operator. The operator responsible for the electrical power supply network.
ESD	Electrostatic discharge.
EV	Electric vehicle.
IK	Impact protection.
IP	Ingress Protection.
RF	Radio Frequency communication.
LAN	Local Area Network.
LED	Light Emitting Diode.
MCB	Miniature Circuit Breaker.
OCPP	Open Charge Point Protocol.
PE	Protective earth or ground.
RCBO	Residual Current Breaker with Over-Current.

Abbreviation	Meaning
RCD	Residual Current Device.

8.2. EU Declaration of Conformity

EVBox B.V. declares that the radio equipment type EVBox Liviqo is in compliance with Directive 2014/53/EU. The full text of the EU Declaration of Conformity is available at help.evbox.com.

Regulatory Information

Technology	Frequency bands	Max. output power
GSM 900	890 MHz – 915 MHz	27.77 dBm
GSM 1800	1710 MHz – 1785 MHz	24.77 dBm
LTE Band 3	1710 MHz – 1785 MHz	28.48 dBm
LTE Band 8	880 MHz – 915 MHz	28.48 dBm
LTE Band 20	832 MHz – 862 MHz	28.48 dBm
LTE Band 28	703 MHz – 748 MHz	28.48 dBm
WLAN (802.11b/g/n)	2412 MHz – 2484 MHz	16.79 dBm
WLAN (802.11a/n/ac)	5150 MHz – 5250 MHz	16.63 dBm
WLAN (802.11a/n/ac)	5725 MHz – 5850 MHz	11.46 dBm
RFID	13.56 MHz	19.00 dBm

EVBox Liviqo

Socket

Table des matières

1. Introduction	53
1.1. Portée du manuel	53
1.2. Symboles utilisés dans ce manuel	53
1.3. Icônes utilisées dans ce manuel	53
1.4. Certification et conformité	54
2. Sécurité	54
2.1. Mesures de sécurité	54
2.2. Précautions pour le déplacement et l'entreposage	56
3. Caractéristiques du produit	57
3.1. Description	57
3.2. Fiche technique	57
3.3. Composants fournis	59
4. Instructions d'installation	59
4.1. Préparation en vue de l'installation	59
4.1.1. Plan en vue de l'installation	59
4.1.2. Outils requis	61
4.1.3. Normes de l'alimentation électrique	61
4.1.4. Optionnel : équilibrage de charge dynamique	64
4.1.5. Optionnel : équilibrage de charge de groupe	64
4.1.6. Uniquement pour les pays applicables : contrôle de l'alimentation à distance par DSO	66
4.2. Déballage	66
4.3. Installer le support mural et la borne de recharge	68
4.4. Connecter le câble d'alimentation	70
4.5. Communication de la borne de recharge	75
4.5.1. Acheminer les câbles de communication	76
4.5.2. Optionnel : connectez le câble Ethernet pour internet	77
4.5.3. Optionnel : installer la carte SIM pour internet	78
4.5.4. Optionnel : connectez le câble d'équilibrage de charge dynamique	79
4.5.5. Uniquement pour les pays applicables : Connectez le câble de contrôle de l'alimentation à distance	79
4.5.6. Serrez le presse-étoupe	80
4.6. Installez les coques de la borne de recharge	81
4.7. Configuration	85
4.7.1. Configurez la borne de recharge.	85
4.7.2. Optionnel : activez la borne de recharge au CMP	86
4.7.3. Prêt à l'emploi	86
5. Instructions d'utilisateur	86
5.1. Commencez et arrêtez la session de recharge	86
5.2. Indication de l'état	87
5.3. Maintenance par l'utilisateur	88
5.4. Connectez-vous à la borne de recharge	88
5.5. Only for Germany: Verify transaction data	88
6. Dépannage	89
6.1. Indication d'erreur	89
6.2. Accéder au RCBO	89
7. Mise hors service	92

8. Annexe	92
8.1. Glossaire	92
8.2. Déclaration de conformité de l'UE	93

1. Introduction

Ce manuel d'installation et d'utilisateur vous explique comment installer la borne de recharge et la rendre prête à l'emploi. Veuillez lire attentivement les consignes de sécurité avant de commencer.

1.1. Portée du manuel

Les instructions d'installation et de configuration contenues dans ce manuel sont destinées aux installateurs qualifiés qui peuvent évaluer le travail et identifier les dangers potentiels.

Les instructions d'utilisation sont destinées aux utilisateurs de la borne de recharge.

Conservez toute la documentation fournie avec la borne de recharge dans un endroit sûr pour toute la vie utile du produit. Transmettez tous les documents à tous les propriétaires ou utilisateurs successifs du produit.

Tous les manuels EVBox peuvent être téléchargés sur evbox.com/manuals.

Clause de non-responsabilité

Ce document est rédigé à titre d'information uniquement et ne constitue pas une offre ou un contrat contraignant avec EVBox. EVBox a composé ce document au mieux de sa connaissance. Aucune garantie expresse ou implicite n'est donnée concernant l'exhaustivité, l'exactitude, la fiabilité ou la pertinence à des fins spécifiques de ses contenus et des produits et services qu'il contient. Les spécifications et données de performance contiennent des valeurs moyennes dans la fourchette des tolérances de spécifications existantes et peuvent être modifiées sans notification préalable. EVBox décline expressément toute responsabilité pour tout dommage direct ou indirect, au sens le plus large, découlant de ou relatif à l'utilisation ou l'interprétation de ce document.

© EVBox. Tous droits réservés. Le nom EVBox et le logo EVBox sont des marques déposées d'EVBox B.V ou de l'une de ses filiales. Aucune partie de ce document ne peut être modifiée, reproduite, traitée ou distribuée sous quelque forme ou par quelque moyen que ce soit, sans l'autorisation écrite préalable d'EVBox.

EVBox Manufacturing B.V.

Kabelweg 47

1014 BA Amsterdam

Les Pays-Bas

help.evbox.com

1.2. Symboles utilisés dans ce manuel

Symboles utilisés dans ce manuel

DANGER

Indique une situation dangereuse imminente à risque élevé qui, si elle n'est pas évitée, entraînera la mort ou des blessures graves.

AVERTISSEMENT

Indique une situation potentiellement dangereuse à risque modéré qui, si l'avertissement n'est pas respecté, peut entraîner la mort ou des blessures graves.

ATTENTION

Indique une situation potentiellement dangereuse à risque moyen qui, si la mise en garde n'est pas respectée, peut entraîner des blessures mineures ou modérées, ou des dégâts matériels.

Remarque

Les remarques contiennent des suggestions utiles ou des références à des informations n'étant pas contenues dans le présent manuel.

1., a. ou i. Action à suivre dans l'ordre indiqué.

1.3. Icônes utilisées dans ce manuel



Choisir une caractéristique



Installateur



Utilisateur



Vérifier à vue d'œil



Utiliser
uniquement dans
un emplacement
sec



Ne pas utiliser de
tournevis
électrique



Alimentation
électrique CA

1.4. Certification et conformité

	La borne de recharge a été certifiée CE par le fabricant et porte le logo CE. La déclaration de conformité correspondante peut être obtenue auprès du fabricant.
	Les équipements électriques et électroniques, ainsi que les accessoires, doivent être mis au rebut séparément des ordures ménagères.
	Le recyclage des matériaux permet de réutiliser des matières premières, conserve de l'énergie et contribue considérablement à protéger l'environnement.



FR

Cet appareil
et ses accessoires
se recyclent

À DÉPOSER
EN MAGASINÀ DÉPOSER
EN DÉCHÈTERIE

OU

Points de collecte sur www.quefairedemesdechets.fr
Privilégiez la réparation ou le don de votre appareil !

Remarque

Voir [Déclaration de conformité de l'UE à la page 93](#) pour la Déclaration de conformité pour ce produit.

2. Sécurité

2.1. Mesures de sécurité

DANGER

Les utilisateurs ne respectant pas les instructions d'installation et d'utilisation contenues dans le présent manuel s'exposent à un risque de choc électrique, qui entraînera des blessures graves, voire la mort.

- Lisez ce manuel avant toute installation ou utilisation de la borne de recharge.

DANGER

L'installation, l'entretien, la réparation et le déplacement de la borne de recharge par une personne non qualifiée impliquent un risque de choc électrique, qui entraînera des blessures graves, voire la mort.

- Seul un électricien qualifié est autorisé à installer, entretenir, réparer et réinstaller la borne de recharge.
- L'utilisateur ne doit pas essayer de réaliser l'entretien ou de réparer la borne de recharge, car elle contient des pièces ne pouvant pas être réparées par l'utilisateur.
- Des réglementations locales peuvent être applicables et varier en fonction de votre région ou pays d'utilisation. L'électricien qualifié doit toujours s'assurer que la borne de recharge est installée conformément aux réglementations locales.

DANGER

Toute intervention réalisée sur des installations électriques sans précautions adéquates entraînera un risque de choc électrique, qui provoquera des blessures graves, voire la mort.

- Coupez l'alimentation avant d'installer la borne de recharge.
- N'allumez pas la borne de recharge si elle n'est pas complètement installée ni fixée.
- N'installez pas de borne de recharge défectueuse ou ayant un problème notable.

DANGER

Si la borne de recharge est exposée de manière prolongée à l'eau, il existe un risque de choc électrique, qui entraînera des blessures graves, voire la mort.

- Ne nettoyez jamais la borne de recharge avec un jet d'eau sous pression.
- Ne plongez pas le pistolet de recharge dans du liquide.

⚠ DANGER

L'utilisation de la borne de recharge lorsqu'elle est endommagée ou usée entraînera un risque de choc électrique, ce qui entraînera des blessures graves ou la mort.

- Ne faites pas fonctionner la borne de recharge si l'alimentation électrique, le boîtier ou un connecteur EV sont cassés, fissurés, ouverts, ou présentent d'autres signes d'endommagement.
- Ne faites pas fonctionner la borne de recharge si un câble de recharge est effiloché, que sa gaine est cassée, ou qu'il présente d'autres signes d'endommagement.
- En cas de danger et/ou d'accident, l'alimentation électrique de la borne de recharge doit être déconnectée immédiatement.
- Veuillez contacter votre installateur si vous soupçonnez que la borne de recharge est endommagée.

⚠ AVERTISSEMENT

L'installation de la borne de recharge dans des conditions environnementales humides (par exemple, en cas de pluie ou de brouillard) peut entraîner un risque de choc électrique et endommager le produit, ce qui peut provoquer des blessures graves, voire la mort.

- N'installez ni n'ouvrez la borne de recharge lorsque les conditions environnementales sont humides (par exemple, en cas de pluie ou de brouillard).

⚠ AVERTISSEMENT

L'utilisation incorrecte de la borne de recharge entraînera un risque de choc électrique, qui peut provoquer des blessures ou la mort.

- Assurez-vous que la zone de contact du pistolet de recharge est exempte d'impuretés et d'humidité avant de commencer une séance de recharge.
- Assurez-vous que le câble de recharge est positionné de manière à ce que personne ne puisse marcher, trébucher ou rouler dessus et qu'il ne soit pas endommagé ou qu'il ne subisse pas d'application de force excessive. Le cas échéant, assurez-vous que le câble de recharge est correctement rangé lorsqu'il n'est pas utilisé, en vous assurant que le pistolet de recharge ne touche pas le sol.
- Ne tirez le pistolet de recharge que par la poignée et jamais par le câble de recharge.
- Maintenez la borne de recharge, le câble de recharge et le pistolet de recharge à l'abri de la chaleur, de la saleté et de l'eau.
- N'utilisez pas de substances explosives ou inflammables à proximité de la borne de recharge.

⚠ AVERTISSEMENT

L'utilisation d'adaptateurs, d'adaptateurs de conversion ou de rallonges électriques avec la borne de recharge peut entraîner des incompatibilités techniques et peut endommager la borne de recharge, ce qui peut provoquer des blessures, voire la mort.

- Utilisez cette borne de recharge pour recharger exclusivement des véhicules électriques compatibles. Référez-vous aux spécifications de la borne de recharge contenues dans le manuel d'installation de la borne de recharge pour plus de détails.
- Consultez le manuel de l'utilisateur de votre véhicule pour vérifier s'il est compatible.

⚠ AVERTISSEMENT

L'exposition de la borne de recharge ou du câble de recharge à la chaleur ou à des substances inflammables peut endommager la borne de recharge, ce qui peut entraîner des blessures, voire la mort.

- Assurez-vous que la borne de recharge et le câble de recharge n'entrent jamais en contact avec de la chaleur.
- N'utilisez pas de substances explosives ou inflammables à proximité de la borne de recharge.

⚠ AVERTISSEMENT

Si la borne de recharge est utilisée dans des conditions n'étant pas indiquées dans le présent manuel, la borne de recharge peut être endommagée et entraîner des blessures, voire la mort.

- N'utilisez la borne de recharge que dans les conditions de fonctionnement indiquées dans le présent manuel.

⚠ AVERTISSEMENT

Travailler sur des installations électriques sans équipement de protection individuelle peut entraîner des risques de blessures.

- Utilisez des équipements de protection individuelle, comme une protection oculaire, des gants résistants aux coupures et des chaussures de sécurité antidérapantes pour éviter les blessures personnelles.

⚠ AVERTISSEMENT

En cas d'incendie, le non-respect des instructions de lutte contre l'incendie peut entraîner un danger accru pouvant entraîner des blessures ou la mort.

- Lorsque vous pouvez le faire sans danger, débranchez l'alimentation électrique de l'équipement qui brûle ou qui est menacé par le feu.
- N'utilisez pas d'eau pour éteindre les flammes des installations électriques et des dispositifs sous tension.
- Pour éteindre les flammes d'une borne de recharge, utilisez un extincteur qui est conçu pour être utilisé sur un dispositif électrique ayant un indice allant jusqu'à 1 kV.

⚠ ATTENTION

Si le câble de recharge n'est pas complètement déroulé pendant la recharge d'un véhicule, il peut surchauffer et peut endommager la borne de recharge.

- Avant de connecter le câble de recharge au véhicule, déroulez complètement le câble de recharge afin qu'il n'y ait pas de boucles qui se chevauchent.

⚠ ATTENTION

L'introduction de doigts ou d'autres objets dans le port de branchement du pistolet (par exemple, pendant le nettoyage) peut provoquer des blessures ou peut endommager la borne de recharge.

- Ne mettez pas vos doigts dans le port de branchement du pistolet.
- Ne laissez pas d'objets dans le port de branchement du pistolet.

⚠ ATTENTION

Les composants électroniques de la borne de recharge peuvent être endommagés si des précautions ne sont pas prises contre les décharges électrostatiques (ESD).

- Prenez les précautions nécessaires contre ces décharges avant de toucher les composants électroniques.

⚠ ATTENTION

Si vous n'activez pas les mises à jour du micrologiciel de cette borne de recharge, ou si vous désactivez, refusez ou n'installez pas les mises à jour du micrologiciel disponibles, la borne de recharge peut rencontrer des problèmes, fonctionner avec des erreurs et être plus sujette à des risques de sécurité.

2.2. Précautions pour le déplacement et l'entreposage

Suivez les directives ci-après pour déplacer et entreposer la borne de recharge :

- Coupez l'alimentation électrique avant de retirer la borne de recharge pour l'entreposer ou la déplacer.
- Transportez et entreposez la borne de recharge uniquement dans son emballage d'origine. Nous déclinons toute responsabilité en cas de dommages pouvant survenir alors que le produit n'est pas transporté dans un emballage standard.
- Entreposez la borne de recharge dans un environnement sec, dans les plages de température et d'humidité indiquées dans les caractéristiques techniques (see [Fiche technique à la page 57](#)).

3. Caractéristiques du produit

3.1. Description

1. Borne de recharge

La borne de recharge alimente en toute sécurité le véhicule électrique (VE) en électricité à partir du réseau.

2. Affichage

L'affichage guide l'utilisateur à travers les actions requises et affiche des informations sur la session de recharge.

3. Capteur de lumière et capteur de proximité

Le capteur de lumière mesure l'intensité de lumière afin d'ajuster automatiquement la luminosité de l'affichage et de l'anneau LED. Le capteur de proximité allume l'affichage lorsqu'une personne se trouve à proximité de la borne de recharge.

4. Lecteur RFID

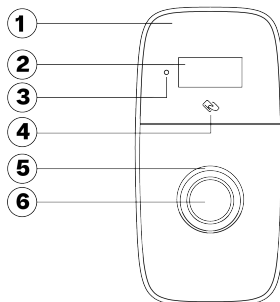
C'est la zone où vous scannez votre carte de recharge ou votre porte-clés pour lancer ou arrêter une session de recharge.

5. Anneau LED

L'anneau LED indique le statut de la borne de recharge.

6. Socle de prise

Le socle de prise connecte le câble de recharge au VE.



3.2. Fiche technique

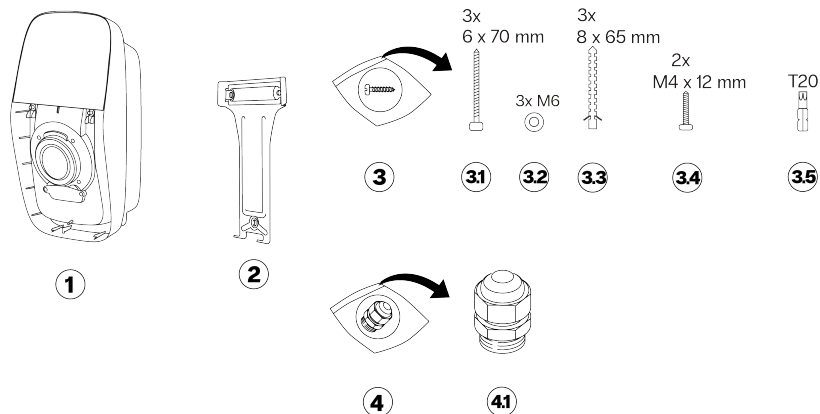
Caractéristique	Description
Propriétés électriques	
Indice de chargement maximum	Jusqu'à 22 kW (triphase, 32 A) i Remarque Un déclassement peut se produire. Le taux de charge dépend de facteurs tels que la demande du VE, l'alimentation électrique disponible et la température ambiante.
Mode de recharge	Mode 3 (IEC 61851-1)
Socle de prise	Socle de prise de type 2 (IEC 62196-1, IEC 62196-2) Socle de prise de type 2 avec obturateur Socle de prise de type 2 avec obturateur et module de type E ⁽¹⁾
Compteur de kWh	Homologué MID avec une précision de classe B (EN-50470) Compteur conforme Eichrecht ⁽¹⁾
Capacité d'entrée	6 – 32 A configurable Monophasé, 230 V ± 10 %, maximum 32 A ± 6 %, 50/60 Hz Triphasé, 400 V ± 10 %, maximum 32 A ± 6 %, 50/60 Hz
Diamètre de gaine de câble d'alimentation	12 à 25 mm
Calibre du câble d'alimentation	Fil plein : maximum 16 mm ² Toron avec bague (sans manchon en plastique) : maximum 10 mm ²

Caractéristique	Description
Tension nominale de tenue aux chocs (U_{imp})	4 000 V
Rated insulation voltage (U_i)	250 V CA (phase-terre) 450 V CA (phase-phase)
Détection de courant de fuite	Les temps et limites de déclenchement sont conformes à la norme CEI 61851-1:2017 Cl. 8.5. (conformément à CEI 62955:2018 Tableau 2). Voir Normes de l'alimentation électrique à la page 61 . RCBO : type A ou type B
Type d'environnement et de sécurité	
Plage de température de fonctionnement	De -30 °C à +50 °C -25 °C to +55 °C (Eichrecht)
Plage de température de stockage	De -40 °C à +80 °C
Humidity (non-condensing)	De 5 % à 95 %
Altitude d'installation maximale	2000 m au-dessus du niveau de la mer
Codes de protection	IP55 (IEC 60529), IK10 (IEC 62262)
Type de sécurité	Classe de sécurité I et surtension Catégorie III
Degré de pollution du macro-environnement	Degré 3 de pollution
Classification de compatibilité électromagnétique (EMC)	Environnement A et environnement B (conformément à IEC 61439-1)
Résistance mécanique pour l'ensemble stationnaire	Haute résistance
Connectivité	
Autorisation	Lecteur RFID ou en utilisant une application
Wi-Fi	2,4/5 GHz
Réseau de zone locale	Ethernet
Communication cellulaire	4G LTE-M (fallback 2G pris en charge)
Protocole de communication	OCPP 2.0.1
Fonctions de charge intelligentes	Équilibrage de charge dynamique, équilibrage de charge en groupe, conforme à EEBus, ISO 15118 (prêt pour le matériel)
Propriétés physiques	
Dimensions (L x H x P)	256 x 508 x 211 mm
Poids	Environ 5 kg
Matériau du boîtier	Makrolon RE® à faible teneur en carbone
HMI	5" 800 x 480 WVGA IPS LCD, Anneau LED, Buzzer, Autorisation
Certification et conformité	
Entrée d'alimentation électrique	Équipement d'alimentation des VE connecté en permanence au réseau d'alimentation en courant alternatif
Sortie d'alimentation électrique	Équipement d'alimentation des VE en CA
Conditions environnementales normales	Utilisation interne et externe
Accès	Équipement pour emplacements avec accès non restreint
Type d'équipement	Équipement stationnaire, mural ou sur poteau

(1)Optionnel.

3.3. Composants fournis

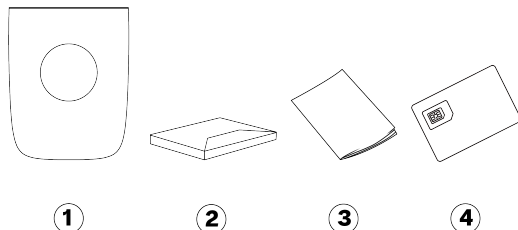
Composants dans la boîte de borne de recharge



- 1 Borne de recharge avec socle de prise
 2 Support mural
 3 Kit d'installation
 3.1 Vis de panneau, 6x70 mm, T20, 3x
 3.2 Rondelles, M6, 3x

- 3.3 Prises murales, 8 x 65 mm, 3x
 3.4 Vis, M4x12 mm, T20, 2x.
 3.5 Embout Torx, sécurité T20
 4 Kit de presse-étoupe
 4.1 Presse-étoupe (avec joint et bouchon d'obturation)

Composants dans la boîte de coque



- 1 Coque avant
 2 Pack de bienvenue (optionnel)
 3 Manuel d'installation et d'utilisateur
 4 Carte SIM (optionnelle)

4. Instructions d'installation

4.1. Préparation en vue de l'installation

4.1.1. Plan en vue de l'installation

Les recommandations suivantes vous aident à planifier l'installation de la borne de recharge.

Choix de l'emplacement

- Dans la mesure du possible, placez la borne de recharge dans un emplacement où elle ne sera pas exposée à un ensoleillement direct ni susceptible de subir des dommages externes.
- Le mur doit avoir une structure plate et pouvoir supporter une charge d'au moins 100 kg.
- L'espace vide minimum autour de la borne de recharge est de 300 mm.
- Le câble d'alimentation peut entrer dans la borne de recharge par le haut ou par le bas. L'entrée de câble inférieure A peut être utilisée dans n'importe quel emplacement. L'entrée de câble supérieure B peut uniquement être utilisée dans un emplacement où il n'y a pas de risque d'exposition à la pluie ou à l'humidité.

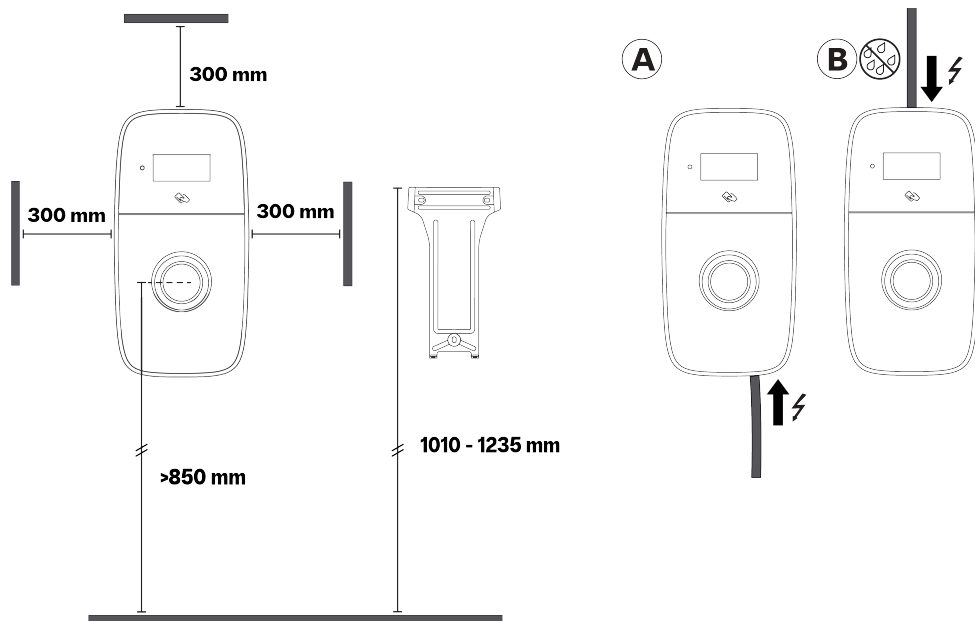
⚠ ATTENTION

Risque de pénétration d'eau lorsque l'entrée de câble supérieure B est utilisée à l'extérieur. Au cours d'une période prolongée, la pluie et l'humidité peuvent pénétrer dans la borne de recharge ainsi que dans le câble d'alimentation, ce qui pourrait endommager la borne de recharge.

- L'entrée du câble de communication se fait uniquement par le bas de la borne de recharge.

ℹ Remarque

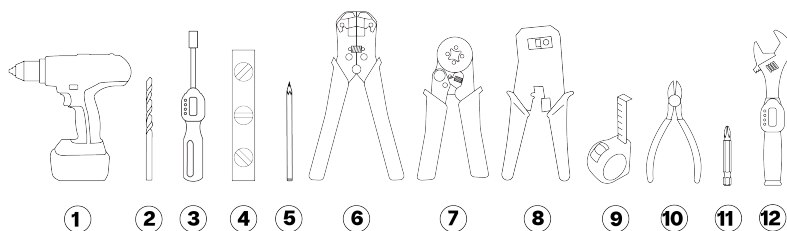
L'illustration suivante montre la hauteur d'installation minimale recommandée. Observez et respectez les réglementations locales en matière d'accessibilité.

**Liste de contrôle avant installation**

Avant de démarrer l'installation de la borne de recharge, vérifiez ce qui suit :

- L'installation sera conforme à la norme IEC 60364 et à toute réglementation locale applicable.
- Tous les permis nécessaires ont été obtenus auprès de l'autorité locale compétente.
- La charge électrique actuelle doit être calculée afin de connaître le courant de service maximal pour l'installation de la borne de recharge.
- Pour les bornes de recharge sans RCBO, un disjoncteur miniature (MCB) et un disjoncteur différentiel (RCD) sont installés en amont, et ont les valeurs nominales recommandées. Voir [Normes de l'alimentation électrique à la page 61](#).
- Le câble d'alimentation électrique répond à la spécification de la zone d'installation, et le câble est suffisamment long pour dénuder et raccorder les fils.
- Le câble d'alimentation demeure dans les limites de flexion pendant et après l'installation.
- Les outils recommandés sont disponibles sur site. Voir [Outils requis à la page 61](#).
- Les chevilles, les vis et la mèche utilisés pour installer la borne de recharge sont adaptés à la structure murale.
- Si vous utilisez une configuration en groupe, l'ordre des phases correct est planifié et les exigences sont satisfaites. Voir [Optionnel : équilibrage de charge de groupe à la page 64](#).

4.1.2. Outils requis



- | | |
|---|---|
| 1. Perceuse | 7. Outil de sertissage par virole |
| 2. Mèche pour maçonnerie, 8 mm (5/16 in) | 8. Dénudeur et outil de sertissage (RJ45) |
| 3. Tournevis dynamométrique avec porte-embout, 0,5 à 3 Nm | 9. Mètre à ruban |
| 4. Niveau à bulle | 10. Coupe-fil |
| 5. Stylet | 11. Embout de tournevis, PH2 |
| 6. Pince à dénuder (câble d'alimentation) | 12. Clé dynamométrique, 3 à 6 Nm |

4.1.3. Normes de l'alimentation électrique

⚠ DANGER

Un raccordement de la borne de recharge à l'alimentation électrique ne suivant pas les indications de cette section entraînera une incompatibilité de l'installation et un risque de choc électrique, ce qui endommagera la borne de recharge et causera des blessures, voire la mort.

- Ne raccordez la borne de recharge que selon une configuration décrite dans cette section.

Système de mise à la terre	Systèmes TN-S et TNC-S	Câble PE.
	Système TT Système IT	Électrode de masse installée séparément (auto-installée).
Entrée d'alimentation (phase)	Monophasé	230 V ± 10 %, jusqu'à 32 A ±6 %, 50/60 Hz.
	Triphasé	400 V ± 10 %, jusqu'à 32 A ±6 %, 50/60 Hz.
MCB (Disjoncteur miniature)	<ul style="list-style-type: none"> • Caractéristique de déclenchement : Type C. • Le courant de déclenchement du MCB peut diminuer si la température ambiante dans l'armoire d'alimentation devient élevée. Tenez compte des températures ambiantes potentiellement plus élevées lors du choix des spécifications MCB. • Non requis pour les bornes avec RCBO intégré. <p>1 Remarque</p> <ul style="list-style-type: none"> • L'installation, y compris le MCB, sera conforme à la norme IEC 60364 et à toute réglementation locale applicable. • Le MCB doit correspondre aux paramètres d'ampérage de la borne de recharge et au courant maximal disponible pour la borne de recharge, conformément aux spécifications du fabricant du MCB. • La valeur I²t maximale du MCB ne doit pas dépasser 75 000 A²s. 	

RCD (dispositif de courant résiduel)	<ul style="list-style-type: none"> • Valeur nominale RDC : La valeur nominale doit correspondre à l'ampérage de la borne de recharge. • Installations standard : <ul style="list-style-type: none"> ◦ Pour la France, le RCD doit être de type B avec un courant nominal de 20 A ou 40 A et a une détection de courant de fuite CA maximum de 30 mA. ◦ Pour les autres pays, le RCD doit être de type A, F ou B avec un courant nominal de 20 A, 32 A ou 40 A et a une détection de courant de fuite CA maximum de 30 mA. • Installations EV Ready : Le RCD doit être de type A+, immunité haute (par exemple : HPI, SI, HI, KV, etc., en fonction du fournisseur RCD). • Non requis pour les bornes avec RCBO intégré. <p>Remarque</p> <ul style="list-style-type: none"> • L'installation, y compris le RCD, sera conforme à la norme IEC 60364 et à toute réglementation locale applicable. • La borne de recharge a une détection de fuite CC interne avec des temps et limites de déclenchement conformes à IEC 61851-1:2017 Cl. 8.5. (conformément à IEC 62955:2018 Tableau 2).
--------------------------------------	---

Câblage d'alimentation

Le tableau ci-dessous montre comment raccorder l'alimentation électrique à la borne de recharge, en fonction du type d'alimentation et de la configuration de la borne de recharge.

⚠ AVERTISSEMENT

La connexion d'une alimentation IT (sans raccordement neutre) à un RCBO intégré de type A peut causer des dommages à la borne de recharge, et par conséquent, provoquer des blessures ou le décès.

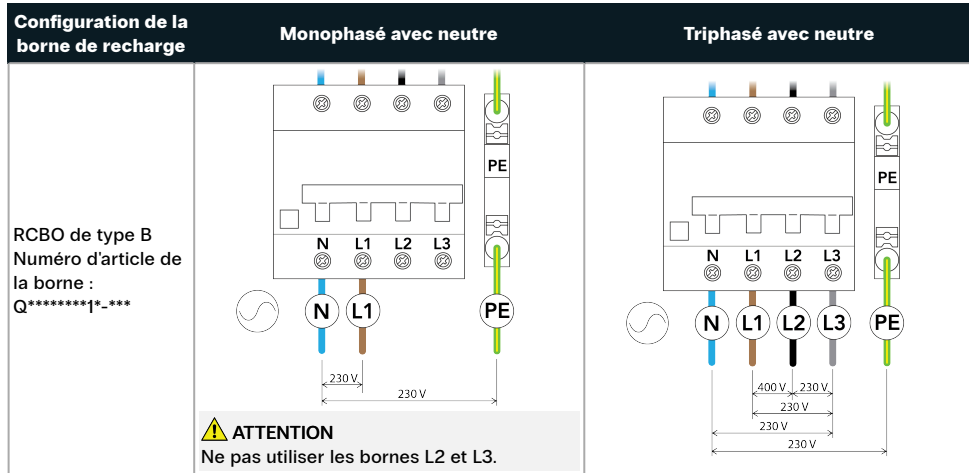
- Connectez uniquement une alimentation TN ou TT triphasée (avec raccordement neutre) à un RCBO intégré de type A.

Alimentation TN et TT vers RCBO

i Remarque

Cette section s'applique uniquement aux bornes avec RCBO intégré.

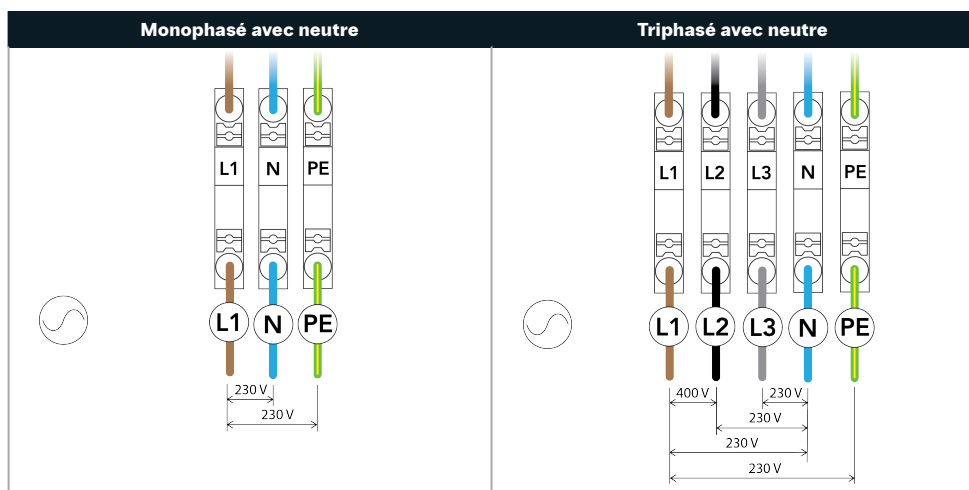
Configuration de la borne de recharge	Monophasé avec neutre	Triphasé avec neutre
RCBO de type A Numéro d'article de la borne : Q*****G*.***	<p>⚠ ATTENTION</p> <p>N'est pas pris en charge. Ne pas connecter une alimentation monophasée à une borne de recharge avec RCBO triphasé plus neutre.</p>	



Alimentation TN et TT

i Remarque

Cette section s'applique uniquement aux bornes sans RCBO intégré.



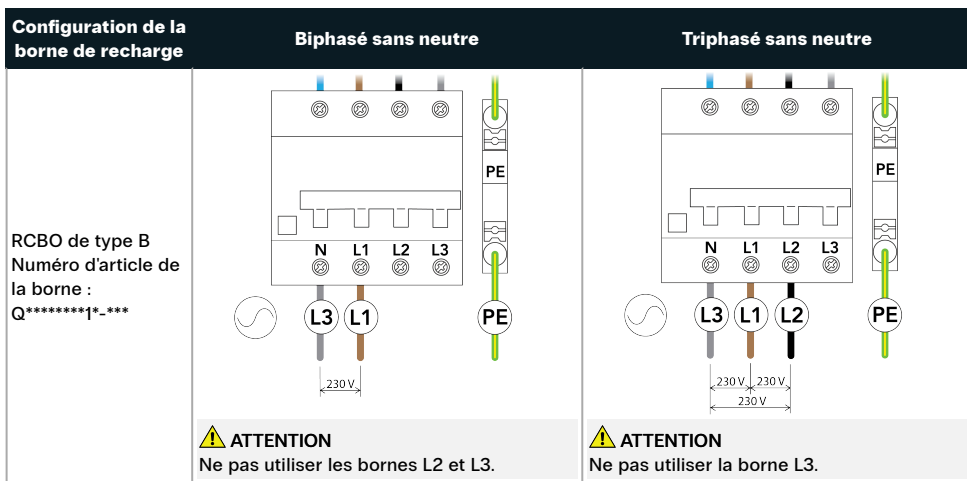
Alimentation IT (sans neutre) vers RCBO

⚠ ATTENTION

Assurez-vous que la réglementation locale autorise l'installation de cette borne de recharge sur un réseau informatique sans neutre. Assurez-vous que le VE soit compatible avec ce type d'installation.

i Remarque

Cette section s'applique uniquement aux bornes avec RCBO intégré.



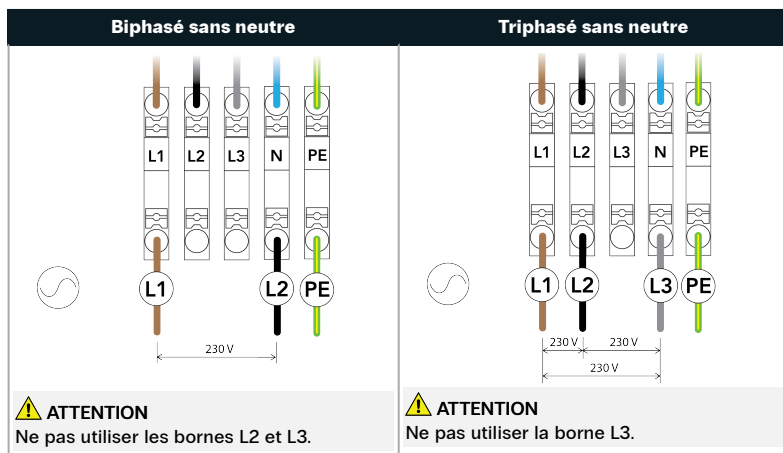
Alimentation IT (sans neutre)

⚠ ATTENTION

Assurez-vous que la réglementation locale autorise l'installation de cette borne de recharge sur un réseau informatique sans neutre. Assurez-vous que le VE soit compatible avec ce type d'installation.

ℹ Remarque

Cette section s'applique uniquement aux bornes sans RCBO intégré.



4.1.4. Optionnel : équilibrage de charge dynamique

Un système d'équilibrage de charge dynamique contrôlé la consommation électrique de tous les appareils électriques utilisant la même source d'alimentation. Le fournit un signal de commande à la borne de recharge pour réguler le courant que la borne fournit au VE, ce qui maintient la consommation électrique totale de la source d'alimentation dans des limites prédéfinies.

L'équilibrage de charge dynamique nécessite une entrée câblée à partir d'un système de détection d'équilibrage de charge (voir [Communication de la borne de recharge à la page 75](#)).

4.1.5. Optionnel : équilibrage de charge de groupe

L'installation de l'équilibrage de charge de groupe comprend des bornes de recharge connectées en groupe. Un

groupe permet d'établir un réseau intelligent sur l'ensemble du groupe afin d'optimiser l'utilisation de l'énergie. Chaque borne peut être utilisée comme borne connectée dans le groupe. Le groupe est configuré à l'aide de EVBox Install App. Pour l'équilibrage de charge correct, un groupe doit être connecté à un circuit d'alimentation unique.

L'équilibrage de charge de groupe nécessite que chaque borne du groupe soit connectée au même réseau local (LAN) par le biais d'une connexion Ethernet (voir [Communication de la borne de recharge à la page 75](#)).

Exigences en matière d'équilibrage de charge du groupe

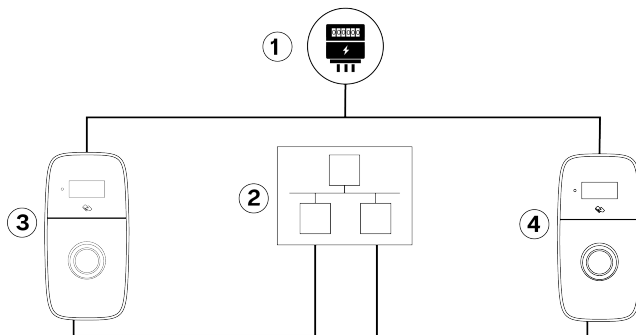
Borne de recharge	EVBox Liviq EVBox Livo
Commutateur Ethernet	<ul style="list-style-type: none"> Prise en charge d'IPv6 Non géré Nombre de ports : Le nombre de port doit être égal ou supérieur au nombre de chargeurs connectés au groupe. Port RJ45 100 Mb/s ou plus Multidiffusion statique : désactivée Multidiffusion dynamique (écoute MLD) : désactivée <div style="background-color: #f0f0f0; padding: 5px;"> <p>i Remarque</p> <ul style="list-style-type: none"> Pour les grands groupes, deux commutateurs ou plus peuvent être combinés dans le même réseau. Un port supplémentaire est requis si le commutateur est utilisé pour la connexion Internet. </div>
Câbles	<ul style="list-style-type: none"> CAT5 Longueur : 100 m de longueur maximale pour chaque nœud de groupe

Diagramme de connexion

Le schéma suivant décrit comment plusieurs bornes de recharge sont connectées dans un groupe.

i Remarque

Le schéma n'inclut pas la connexion internet de la borne de recharge. La connexion Internet de la station de charge peut être configurée à l'aide d'un réseau cellulaire, Wi-Fi ou Ethernet.



1. Alimentation électrique
2. Commutateur Ethernet

3. Chargeur secteur 1
4. Chargeur secteur N

Rotation de phase

Pour éviter de surcharger la première phase avec des véhicules électriques monophasés, l'ordre des phases de chaque borne de recharge qui se connecte à une alimentation triphasée dans une installation Power-Sharing doit être configuré à l'aide du EVBox Install App.

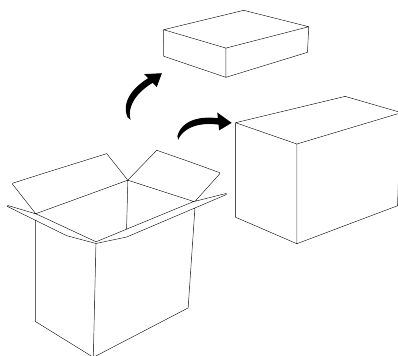
4.1.6. Uniquement pour les pays applicables : contrôle de l'alimentation à distance par DSO

Selon les règles techniques de raccordement VDE-AR-N-4100:2019-04 Cl. 10.6.4, une borne de recharge d'une puissance nominale totale supérieure à 12 kVA doit disposer d'une interface de contrôle de l'alimentation à distance pour permettre l'arrêt à distance de la borne par le Distribution System Operator (DSO) (Opérateur de réseau de distribution). Cette borne de recharge peut être connectée par câble à un dispositif DSO en amont équipé d'un relais Normalement Ouvert (NO). Lorsque le relais se ferme, la borne entre dans un état suspendu et la recharge est en pause. La recharge reprend lorsque le relais s'ouvre. Voir [Uniquement pour les pays applicables : Connectez le câble de contrôle de l'alimentation à distance à la page 79](#) pour les instructions de raccordement de câble.

L'inscription auprès du DSO est obligatoire.

4.2. Déballage

1. Ouvrez la boîte d'expédition. Retirez le couvercle et la borne de recharge.

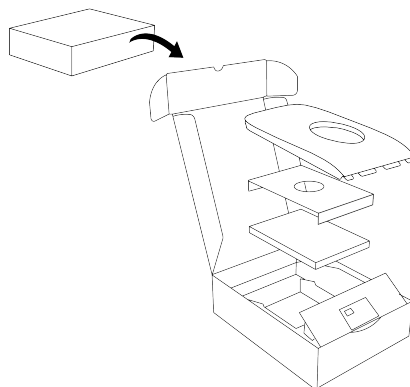


2. Ouvrez le couvercle. Trouvez la coque avant, le pack de bienvenue (en option), la documentation de la borne de recharge et la carte SIM (en option).



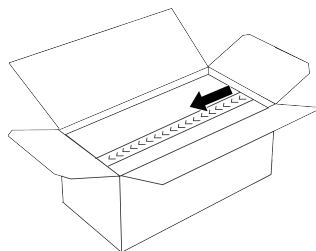
Remarque

Pour éviter tout dommage, laissez la coque avant dans son emballage jusqu'à l'installation.

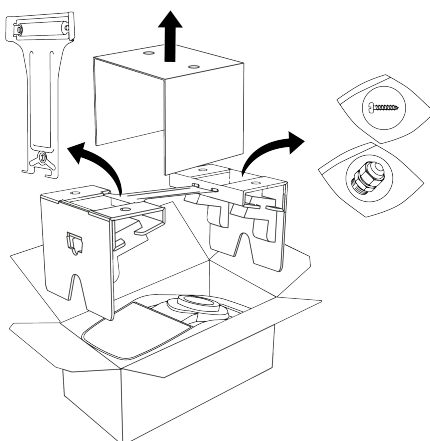


4. Instructions d'installation

3. Ouvrez la boîte de la borne.



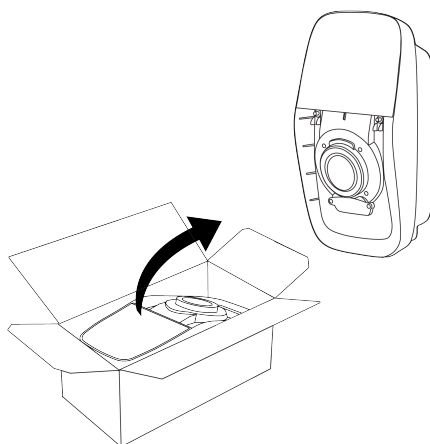
4. Retirez les trois inserts en carton, le support mural et les kits d'installation.



5. Lorsque la borne de recharge est prête à être installée sur le support mural, retirez la borne de recharge de l'emballage.

i Remarque

Pour éviter tout dommage, laissez la borne de recharge dans son emballage jusqu'à l'installation.

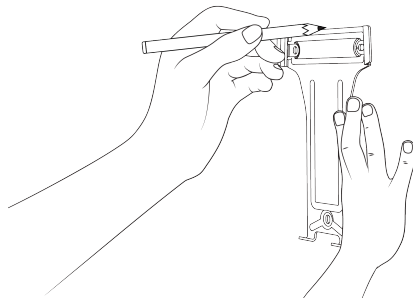


4.3. Installer le support mural et la borne de recharge

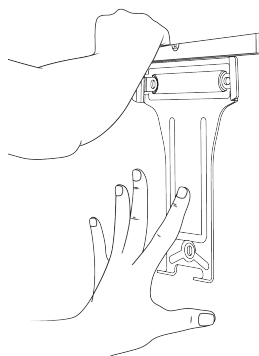
ATTENTION

Suivez les recommandations dans [Plan en vue de l'installation à la page 59](#) lors de la sélection de l'emplacement et de la hauteur d'installation de la borne de recharge et lors du choix d'une entrée de câble d'alimentation.

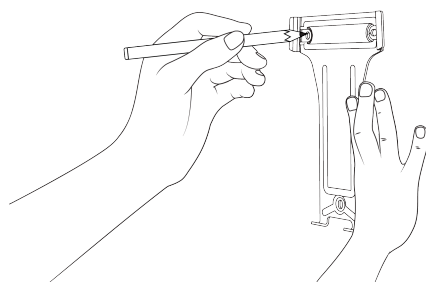
1. Installez le support mural comme ci-après :
 - a. Marquez la hauteur du haut du support mural.



- b. Tenez le support mural sur le mur et mettez-le à niveau avec un niveau à bulle.

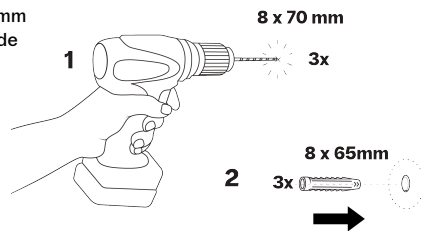


- c. Marquez les trois points de vissage sur le mur. Retirez le support mural.

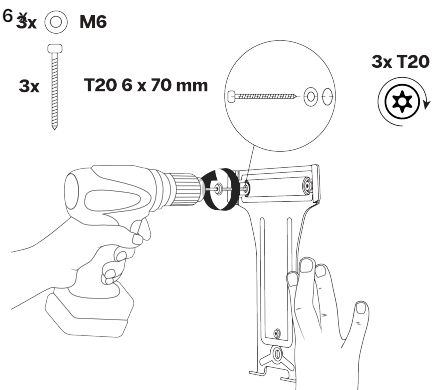


4. Instructions d'installation

- d. Percez un trou de 8 mm à une profondeur de 70 mm à chaque point de vis. Installez une prise murale de 8 x 65 mm dans chaque trou.

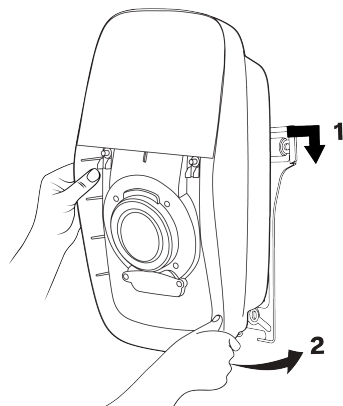


- e. Installez le support mural à l'aide de trois vis T20 6 x 70 mm et des rondelles M6.



2. Installez la borne de recharge comme suit :

- a. Enclenchez la borne de recharge avec le haut du support mural, puis faites pivoter la borne de recharge vers le bas pour aligner les deux trous de vis inférieurs.

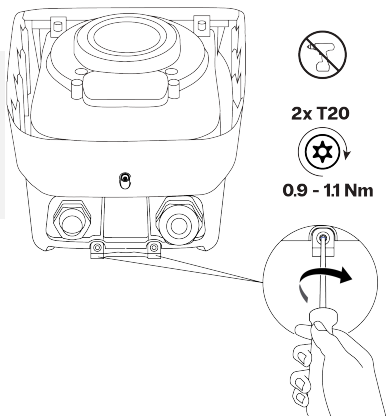


- b. Installez deux vis Torx T20 de sécurité pour fixer la borne de recharge au support mural.

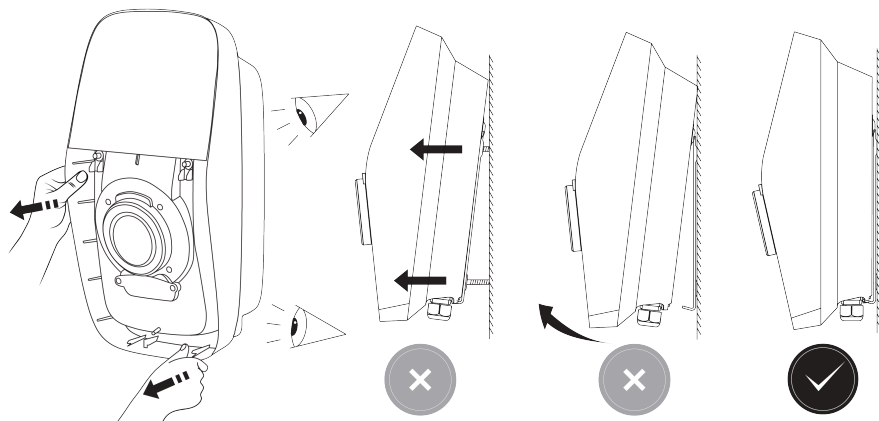
⚠ ATTENTION

L'utilisation d'un tournevis électrique avec un couple élevé peut endommager les vis et les composants.

- Utilisez uniquement un tournevis à faible couple avec le bon réglage de couple.



- c. Tirez doucement sur la borne de recharge pour vous assurer qu'elle est bien fixée au support mural et au mur.



4.4. Connecter le câble d'alimentation

La borne de recharge comporte deux presse-étoupes interchangeables :

- Le presse-étoupe installé est dédié à un câble d'alimentation avec un diamètre de gaine de 13 à 25 mm.
- Le kit de presse-étoupe est dédié à un câble d'alimentation avec un diamètre de gaine de 12 à 20 mm.

Les borniers acceptent un calibre de fil dans la plage suivante :

- Fil plein : maximum 16 mm².
- Toron avec bague (sans manchon en plastique) : maximum 10 mm².

Le câble d'alimentation peut entrer dans la borne de recharge par le haut ou par le bas. L'entrée de câble inférieure A peut être utilisée dans n'importe quel emplacement. L'entrée de câble supérieure B peut uniquement être utilisée dans un emplacement où il n'y a pas de risque d'exposition à la pluie ou à l'humidité.

⚠ ATTENTION

Suivez les recommandations dans [Plan en vue de l'installation à la page 59](#) lors de la sélection du point d'entrée du câble d'alimentation pour la borne de recharge.

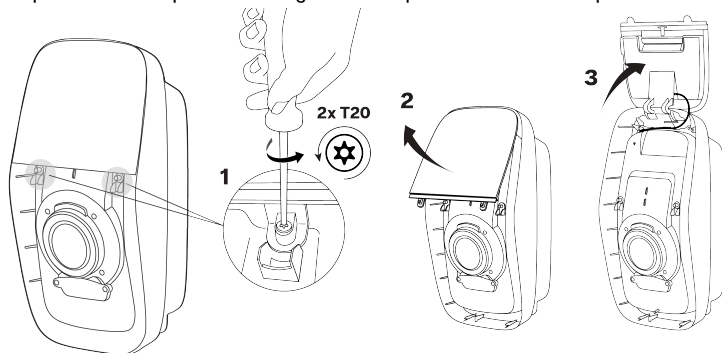
i Remarque

L'entrée du câble de communication se fait uniquement par le bas de la borne de recharge.

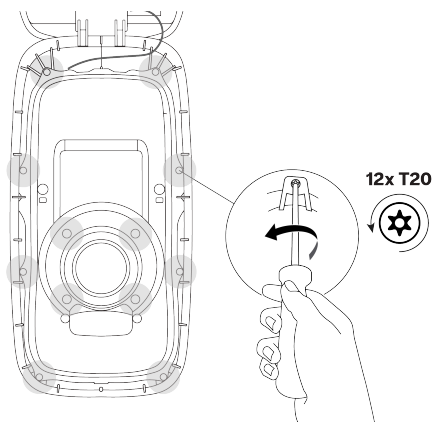
i Remarque

Toutes les vis de sécurité Torx T20 sont imperdables. Ne retirez pas complètement les vis imperdables de la borne de recharge.

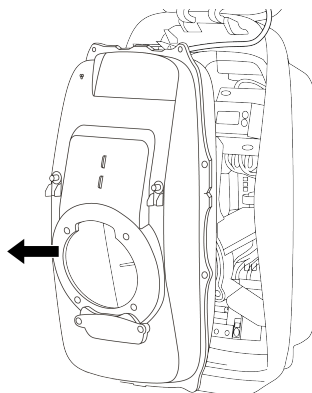
1. Retirez la coque intérieure comme suit :
 - a. Desserrez deux vis imperdables de sécurité Torx T20 qui fixent la coque de l'affichage. Ouvrez complètement la coque de l'affichage de sorte qu'elle se verrouille en position ouverte.



- b. Desserrez les 12 vis imperdables de sécurité Torx T20 qui fixent la coque intérieure.

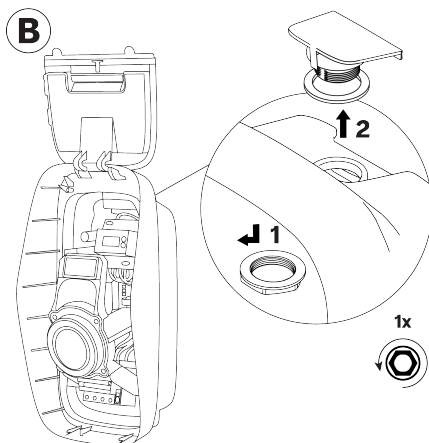


- c. Retirez la coque intérieure.

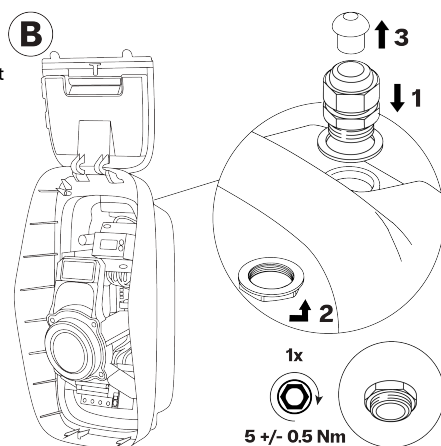


2. Pour l'entrée de câble supérieure B : préparez l'entrée supérieure pour le câble d'alimentation comme suit :

- a. Retirez l'écrou qui fixe la coque sur l'entrée supérieure. Retirez la coque.
Conservez l'écrou pour l'utiliser sur le presse-étoupe. Conservez la coque dans l'emballage.



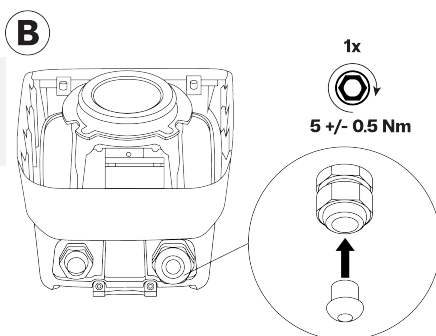
- b. Installez le presse-étoupe et le joint dans l'entrée supérieure. Installez et serrez l'écrou.
Retirez le bouchon d'obturation du presse-étoupe et conservez-le pour une utilisation ultérieure.



- c. Installez le bouchon d'obturation dans le presse-étoupe non utilisé au bas de la borne de recharge.

**ATTENTION**

Assurez-vous que le bouchon d'obturation est installé dans le presse-étoupe afin de maintenir le code IP de la borne de recharge.

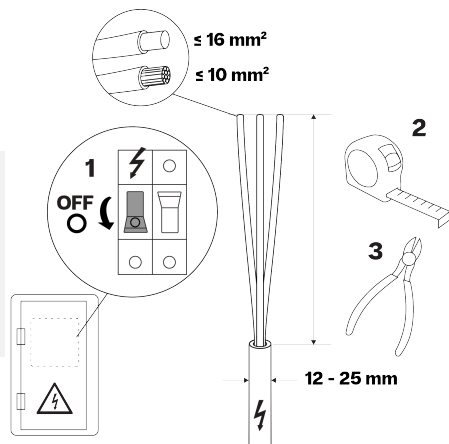


4. Instructions d'installation

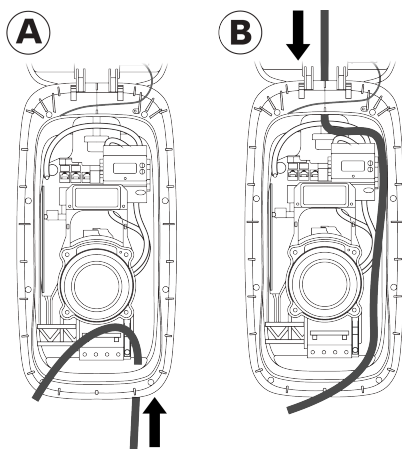
3. Coupez le câble d'alimentation et dénudez la gaine extérieure afin que les câbles et ses fils aient une longueur suffisante pour se connecter au bornier du RCBO et du PE de la borne de recharge. Si nécessaire, installez une isolation supplémentaire sur les fils individuels.

⚠ ATTENTION

Pour protéger les circuits SELV (Separated Extra Low Voltage - séparé extra basse tension), les fils dénudés à simple isolation ne doivent pas toucher les composants de la carte principale. Si nécessaire, installez une double isolation sur les fils individuels, par exemple en utilisant des gaines thermorétractables ou des manchons isolants.



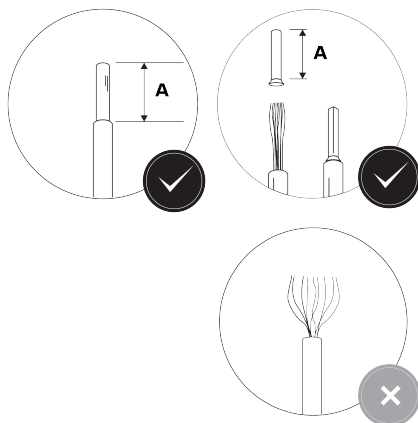
4. Faites passer le câble d'alimentation à travers la borne de recharge en utilisant l'entrée de câble inférieure A ou l'entrée de câble supérieure B. Acheminez le câble d'alimentation dans les points de raccordement. Laissez une longueur suffisante à dénuder et connectez les fils.



5. Dénudez les extrémités des fils du câble d'alimentation :

- Pour un RCBO, A = 12 mm
- Pour un bornier, A = 18 mm

Lorsque des torons sont utilisés, installez des manchons d'extrémité de fil et appliquez un sertissage carré pour assurer un branchement optimal dans le bornier du RCBO et du PE.



6. Pour une borne avec RCBO intégré : Connectez le câble d'alimentation comme suit :

⚠ AVERTISSEMENT

Une connexion incorrecte des fils d'alimentation peut entraîner un risque d'électrocution, et donc endommager la borne de recharge, et provoquer des blessures ou la mort.

- Assurez-vous que les fils d'alimentation sont bien connectés.

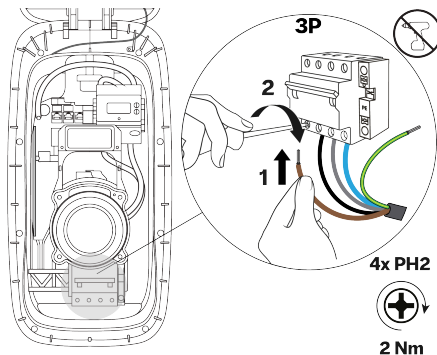
i Remarque

Connectez les fils conformément aux schémas de câblage de l'alimentation électrique dans la section [Normes de l'alimentation électrique à la page 61](#).

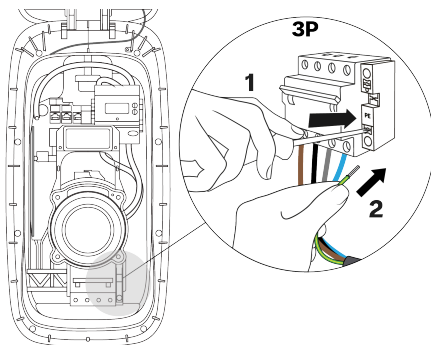
i Remarque

Les RCBO de type B sont installés à l'envers dans les bornes de recharge.

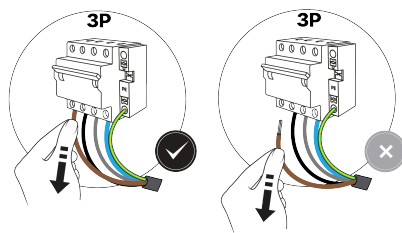
- a. Connectez les fils du câble d'alimentation au RCBO.
Serrez les vis pour fixer les fils.



- b. Connectez le fil PE du câble d'alimentation au bornier PE.



- c. Tirez sur chaque fil pour vérifier que les fils sont bien connectés.



7. Pour une borne avec borniers : Connectez le câble d'alimentation comme suit :

⚠ AVERTISSEMENT

Une connexion incorrecte des fils d'alimentation peut entraîner un risque d'électrocution, et donc endommager la borne de recharge, et provoquer des blessures ou la mort.

- Assurez-vous que les fils d'alimentation sont bien connectés.

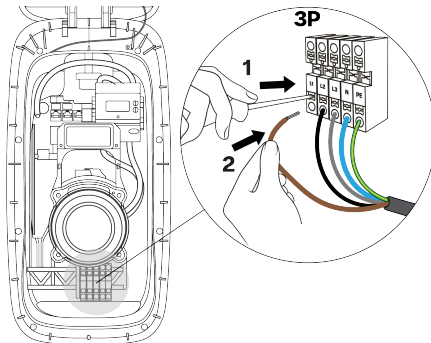
i Remarque

Connectez les fils conformément aux schémas de câblage de l'alimentation électrique dans la section [Normes de l'alimentation électrique à la page 61](#).

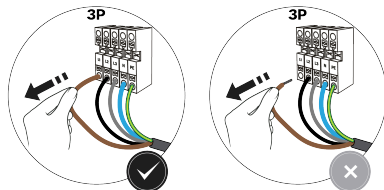
i Remarque

Les illustrations montrent un triphasé avec un raccordement neutre.

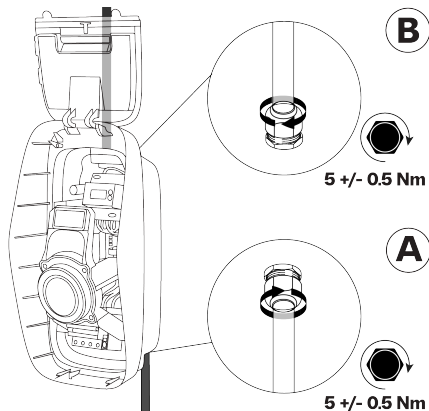
- a. Connectez les fils du câble d'alimentation aux borniers.



- b. Tirez sur chaque fil pour vérifier que les fils sont bien connectés.



8. Serrez le presse-étoupe pour fixer le câble d'alimentation et maintenir le code IP de la borne de recharge.



4.5. Communication de la borne de recharge

L'entrée du câble de communication se fait uniquement par le presse-étoupe gauche au bas de la borne de recharge. Un maximum de quatre câbles de communication peuvent entrer dans la borne de recharge par le presse-étoupe.

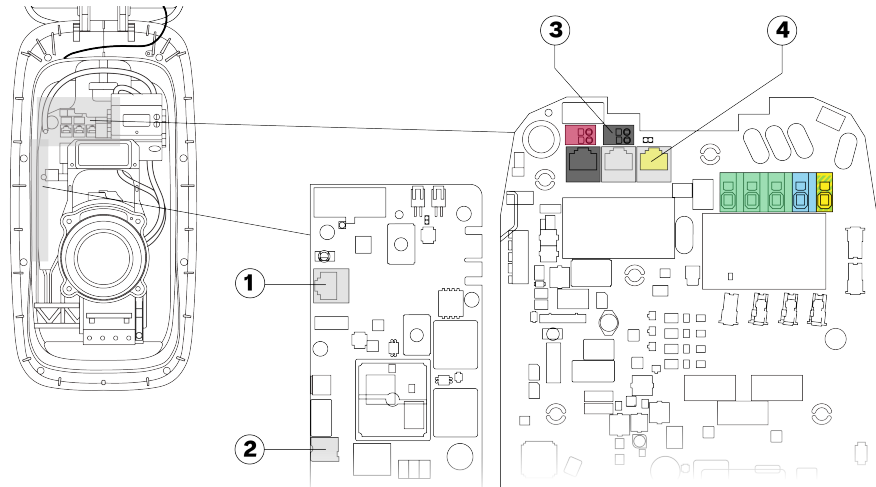
Il y a trois options pour connecter la borne de recharge à Internet :

- Ethernet (option recommandée)
- Wi-Fi (voir [Configuration à la page 85](#))
- Cellulaire (carte SIM)

Connexions et composants de communication

i Remarque

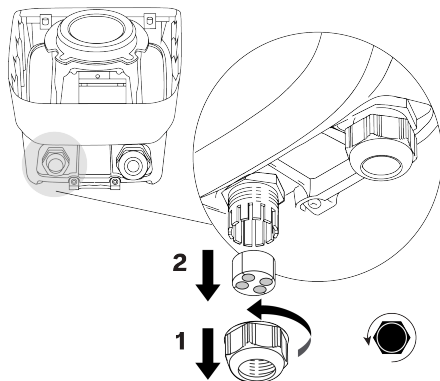
Les connexions de communication et les composants utilisés dépendent du modèle de la borne de recharge et de la fonctionnalité requise.



1. Prise Ethernet pour connexion Internet filaire
2. Emplacement pour carte nano-SIM pour connexion Internet cellulaire
3. Bornes pour le contrôle de la puissance active (uniquement pour l'Allemagne)
4. Fiche CT IN pour équilibrage de charge dynamique

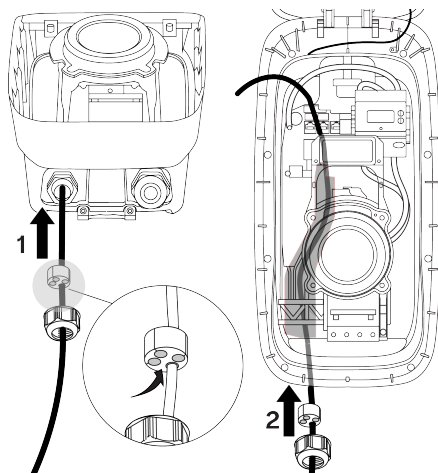
4.5.1. Acheminer les câbles de communication

1. Retirez l'écrou du presse-étoupe et le joint du presse-étoupe gauche.



4. Instructions d'installation

2. Faites passer les câbles de communication requis à travers l'écrou du presse-étoupe et du joint, puis à travers le presse-étoupe gauche dans le fond de la borne de recharge. Faites passer les câbles dans le canal de câbles jusqu'au sommet de la borne de recharge.



FR

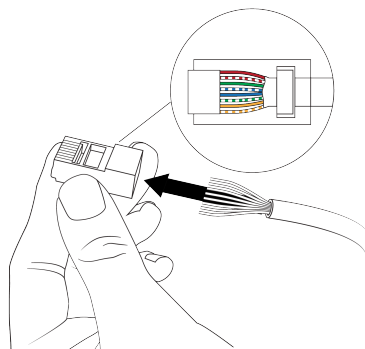
4.5.2. Optionnel : connectez le câble Ethernet pour internet

Remarque

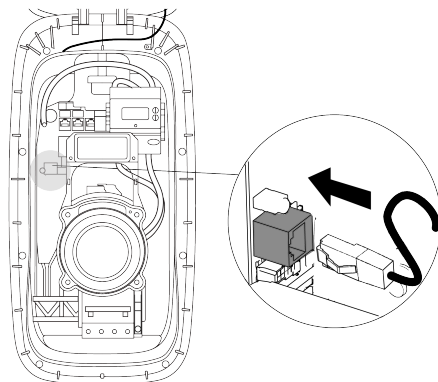
Utilisez tout câble de réseau de Cat5 et au-dessus (Cat5, Cat5e, Cat6), avec des paires de fils torsadés.

- L'utilisation de câble de réseau blindé est recommandée mais non obligatoire.
- Si un câble blindé est utilisé, ne pas raccorder le blindage.
- Pour les installations à l'extérieur, utilisez un câble réseau résistant aux UV.
- Les câbles de réseau peuvent avoir une fiche RJ45 préinstallée, ou la fiche RJ45 peut être installée avant ou après le routage du câble de réseau dans la borne de recharge.

1. Si une fiche RJ45 n'est pas préinstallée, installez une fiche RJ45 sur le câble réseau.



2. Connectez la fiche RJ45 du câble réseau à la prise Ethernet de la carte de communication.

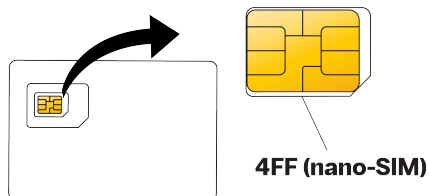


4.5.3. Optionnel : installer la carte SIM pour internet

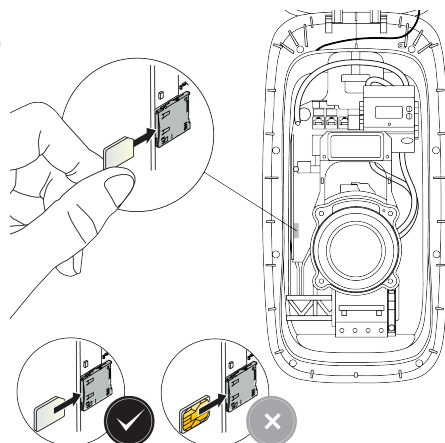
Remarque

Seules certaines cartes SIM sont prises en charge.

1. Retirez la carte SIM 4FF (nano-SIM) de son support.



2. Insérez et verrouillez la carte SIM 4FF (nano-SIM) dans la fente de la carte de communication. Les contacts de la carte SIM doivent faire face à la carte de communication.



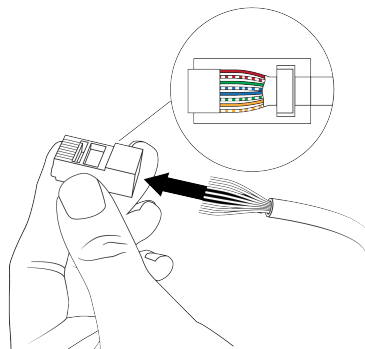
4.5.4. Optionnel : connectez le câble d'équilibrage de charge dynamique

i Remarque

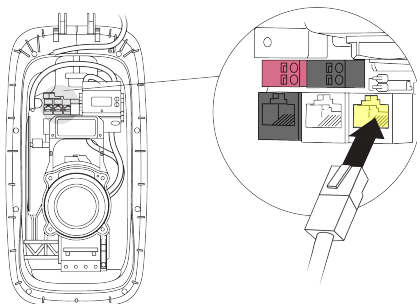
Utilisez tout câble de réseau de Cat5 et au-dessus (Cat5, Cat5e, Cat6), avec des paires de fils torsadés.

- L'utilisation de câble de réseau blindé est recommandée mais non obligatoire.
- Si un câble blindé est utilisé, ne pas raccorder le blindage.
- Pour les installations à l'extérieur, utilisez un câble réseau résistant aux UV.
- Les câbles de réseau peuvent avoir une fiche RJ45 préinstallée, ou la fiche RJ45 peut être installée avant ou après le routage du câble de réseau dans la borne de recharge.

1. Si une fiche RJ45 n'est pas préinstallée, installez une fiche RJ45 sur le câble réseau.



2. Connectez la fiche RJ45 du câble réseau au socle de prise CT IN.



4.5.5. Uniquement pour les pays applicables : Connectez le câble de contrôle de l'alimentation à distance

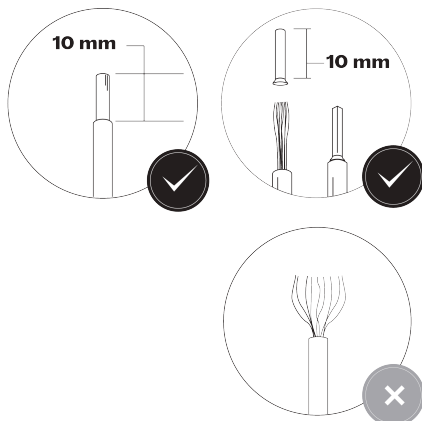
Les borniers acceptent un calibre de fil dans la plage suivante :

- Fil plein : maximum 1,5 mm².
- Toron avec bague (sans manchon en plastique) : maximum 1,5 mm².

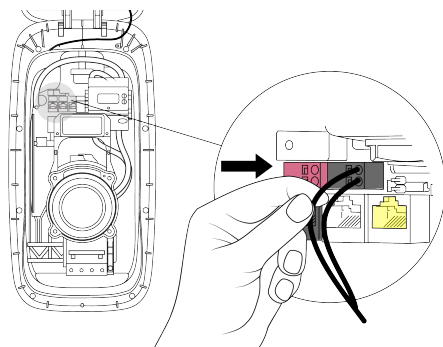
Utilisez un câble à double isolation qui est résistant à des températures allant jusqu'à 90 °C.

1. Dénudez les extrémités des fils du câble de contrôle de puissance active.

Lorsque des torons sont utilisés, installez des embouts (sans manchons plastique) et appliquez un sertissage carré pour assurer un branchement optimal dans les borniers.



2. Connectez les fils de contrôle de puissance active au bornier noir (entrée numérique 1).



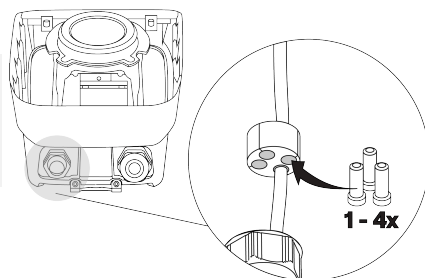
3. Connectez l'autre extrémité du câble de contrôle de puissance active à un dispositif de contrôle DSO avec des contacts normalement ouverts (NO).

4.5.6. Serrez le presse-étoupe

1. Installez les bouchons d'obturation dans les entrées non utilisées dans le joint du presse-étoupe.

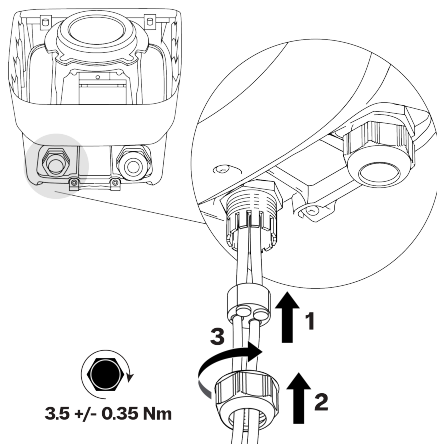
⚠ ATTENTION

Assurez-vous que les bouchons d'obturation sont mis en place dans les entrées de câble non utilisées du presse-étoupe afin de maintenir le code IP de la borne de recharge.



4. Instructions d'installation

2. Déplacez le joint du presse-étoupe dans le presse-étoupe, puis serrez le presse-étoupe pour fixer les câbles du réseau et les bouchons d'obturation.

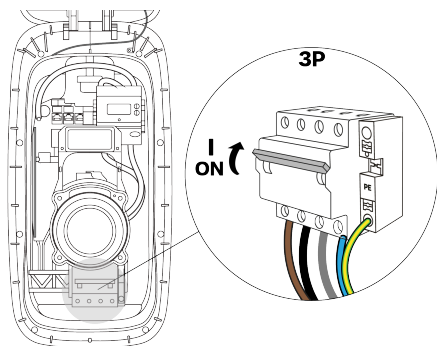


4.6. Installez les coques de la borne de recharge

1. Pour une borne avec RCBO intégré : dans la borne de recharge, assurez-vous que le RCBO est allumé.

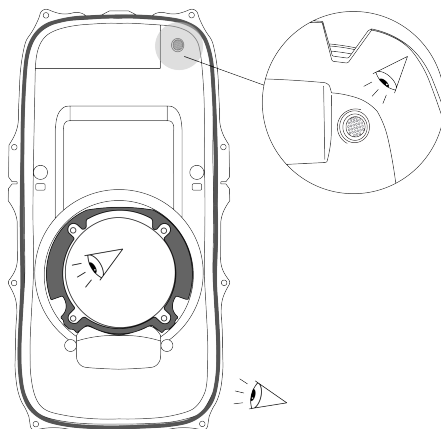
i Remarque

Les RCBO de type B sont installés à l'envers dans les bornes de recharge. Si la borne de recharge est équipée d'un RCBO de type B, les sens de marche et d'arrêt sont inversés.

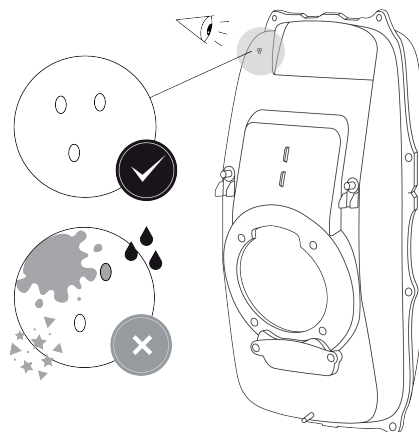


2. Avant l'installation, vérifiez la coque interne comme suit :

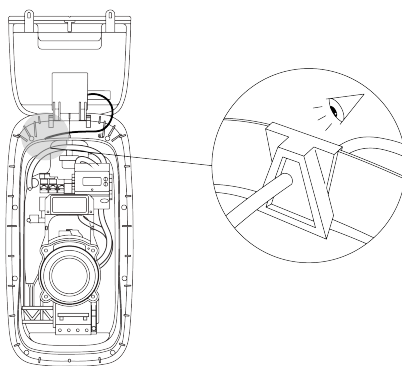
- a. À l'intérieur, vérifiez que le joint de la coque interne et le joint central sont propres et non endommagés. Vérifiez que la membrane de ventilation est bien fixée et qu'elle n'est pas endommagée.



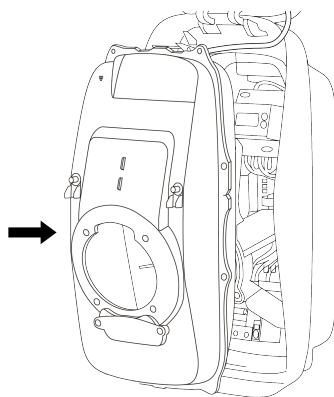
- b. À l'extérieur, assurez-vous que les trois orifices de ventilation ne sont pas obstrués par de l'eau, de la poussière ou des débris.



3. Sur la borne de recharge, vérifiez que le joint traversant pour le câble de l'affichage est correctement installé.



4. Installez la coque interne comme ci-après :
- a. Mettez en prise le dessous de la coque en dessous du trou central, puis poussez le dessus de la coque dans sa position.



4. Instructions d'installation

- b. Serrez les 12 vis imperdables de sécurité Torx T20 dans l'ordre indiqué, pour fixer la coque interne.

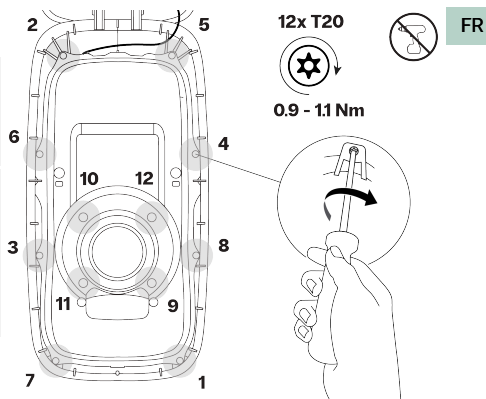
⚠ ATTENTION

Risque de pénétration d'eau. De la pluie et de l'humidité peuvent pénétrer la borne de recharge si les vis ne sont pas serrées dans le bon ordre.

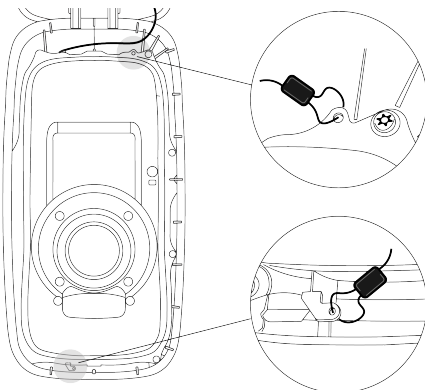
⚠ ATTENTION

L'utilisation d'un tournevis électrique avec un couple élevé peut endommager les vis et les composants.

- Utilisez uniquement un tournevis à faible couple avec le bon réglage de couple.



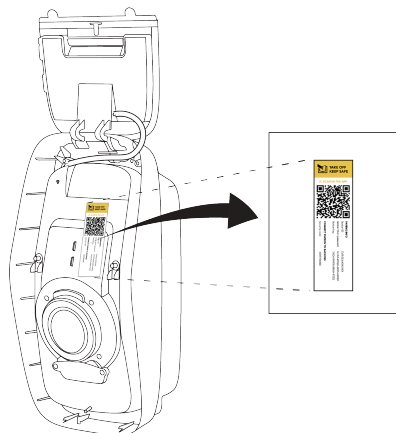
- c. Facultatif : Installez deux sceaux inviolables dans les coins supérieur droit et inférieur gauche de la coque interne.



5. Retirez l'autocollant contenant les informations relatives à la borne de recharge de la coque interne. Conservez l'autocollant avec la documentation sur la borne de recharge. Vous aurez besoin des informations sur l'autocollant pendant la configuration.

⚠ ATTENTION

Pour empêcher un accès non autorisé aux configurations de la borne de recharge, ne pas laisser l'autocollant sur la borne de recharge.



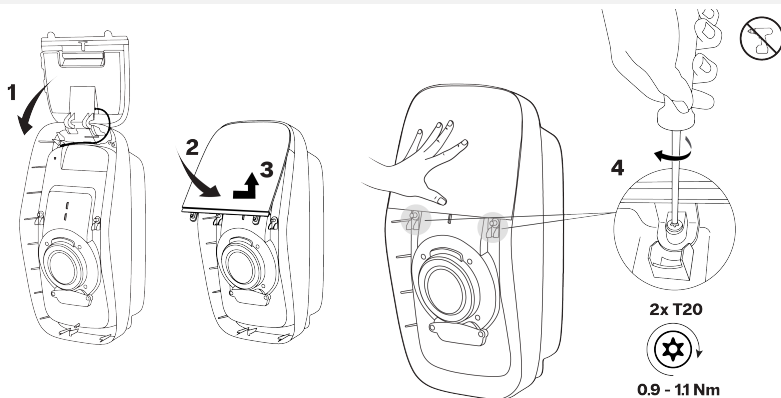
6. Installez la coque de l'affichage et la coque avant comme ci-après :

- a. Fermez la coque de l'affichage et maintenez-la fermée. Fixez la coque de l'affichage en utilisant deux vis imperdables de sécurité Torx T20.

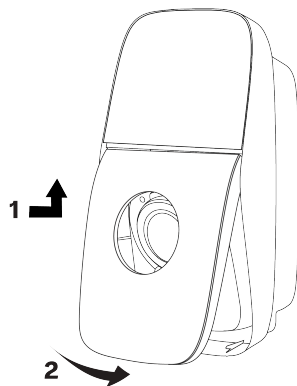
⚠ ATTENTION

L'utilisation d'un tournevis électrique avec un couple élevé peut endommager les vis et les composants.

- Utilisez uniquement un tournevis à faible couple avec le bon réglage de couple.



- b. Engagez le bord supérieur de la coque avant en dessous du bord inférieur de la coque de l'affichage, puis pivotez la coque vers le bas pour aligner le trou de vis inférieur.

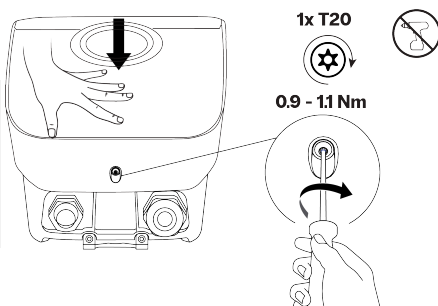


- c. Poussez la coque avant contre le ressort. Serrez la vis imperdable Torx T20 pour fixer la coque avant sur la borne de recharge.

⚠ ATTENTION

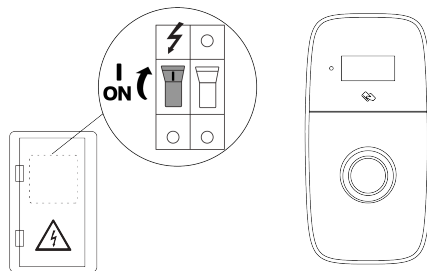
L'utilisation d'un tournevis électrique avec un couple élevé peut endommager les vis et les composants.

- Utilisez uniquement un tournevis à faible couple avec le bon réglage de couple.



4. Instructions d'installation

7. Mettez la borne de recharge sous tension. L'anneau LED est blanc rotatif pour indiquer que la borne de recharge est en cours de démarrage.



FR

La borne de recharge est désormais complètement installée. L'anneau LED s'allume en blanc, clignotant et s'éteignant deux fois, pour indiquer que la configuration peut commencer.

4.7. Configuration

Pour que la borne de recharge fonctionne, elle doit être connectée à Internet. Une fois connectée, il est recommandé d'activer la borne de recharge sur une Plateforme de gestion des bornes de recharge (CMP) pour pleinement bénéficier de toutes les caractéristiques de la borne de recharge et de l'assistance en ligne.

La configuration doit être complétée avant que la borne de recharge ne soit utilisée.

4.7.1. Configurez la borne de recharge.

AVERTISSEMENT

Risque de choc électrique, qui peut causer des blessures sévères ou la mort. Seul un électricien qualifié est autorisé à utiliser l'EVBox Install app pour configurer la borne de recharge.

1. Téléchargez et installez EVBox Install App sur votre smartphone ou votre tablette.



2. Ouvrez EVBox Install App et suivez les instructions dans l'application.

Les informations relatives à la borne de recharge nécessaires pour la configuration de la borne est sur l'étiquette qui a été retirée pendant l'installation.



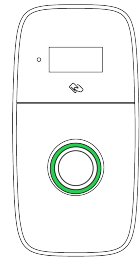
3. En utilisant EVBox Install App, réglez les configurations clés pour vous assurer que la borne de recharge fonctionne en toute sécurité :
 - Courant de recharge maximum.
 - Connectivité internet.
 - Autres réglages de configuration.

4.7.2. Optionnel : activez la borne de recharge au CMP

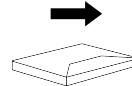
Pour une borne de recharge en ligne, l'utilisateur doit activer la borne de recharge avec la plateforme de gestion de recharge (CMP) sur le site web de la CMP ou en utilisant l'application spécifique de la CMP. Contactez l'Opérateur de charge (CPO) pour plus de détails sur la procédure d'activation de la borne de recharge.

4.7.3. Prêt à l'emploi

La borne de recharge est prête à recharger un VE lorsque les coques seront installées sur la borne de recharge, la mise en service est terminée, et l'anneau LED s'allume en vert fixe



Remettez tous les documents au propriétaire. Le propriétaire doit conserver toute la documentation livrée avec la borne de recharge en lieu sûr pendant toute la durée de vie du produit.



5. Instructions d'utilisateur

DANGER

Les utilisateurs ne respectant pas les instructions contenues dans le présent manuel s'exposent à un risque de choc électrique, qui entraînera des blessures graves, voire la mort.

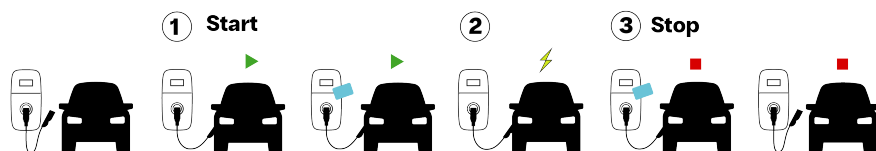
- Lisez les consignes de sécurité et les instructions d'utilisation de ce manuel avant d'utiliser la borne de recharge.
- En cas de doute concernant l'utilisation de la borne de recharge, veuillez contacter votre revendeur pour obtenir davantage d'informations.

5.1. Commencez et arrêtez la session de recharge

Remarque

Les instructions de session de recharge sont également affichées sur l'affichage.

1. Commencez à recharger :
 - Déroulez complètement votre câble de recharge.
 - Raccordez le câble de recharge à la borne de recharge et à votre véhicule.
 - Si vous utilisez une carte de recharge ou un badge de recharge, placez-le devant le lecteur de la borne de recharge pour démarrer la recharge.*
2. Votre véhicule est en cours de recharge.
3. Arrêtez de recharger :
 - Si vous utilisez une carte de recharge ou un badge de recharge**, placez-le devant le lecteur de la borne de recharge pour arrêter la recharge.*
 - Débranchez le câble de recharge de votre véhicule et de la borne de recharge.



* Lorsque la borne de recharge n'est configurée que pour accepter les cartes de recharge ou badges de recharge.

** La carte de recharge ou le badge de recharge doivent être les mêmes que ceux vous avez utilisés pour démarrer la session de recharge.

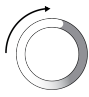






5.2. Indication de l'état



Remarque

L'état de la borne de recharge est également affiché sur l'affichage.

Remarque

Certaines caractéristiques et indications d'état ne sont pas disponibles sur tous les modèles.

Anneau LED	Couleur	Description de l'état
	Blanc (rotatif)	La borne de recharge démarre, ou le logiciel se met à jour.
	Blanc (clignotant)	La borne de recharge est en attente de configuration à l'aide de EVBox Install App.
	Vert (constant)	Idle. La borne de recharge est prête à recharger.
	Rouge (fixe)	Authentification non acceptée. L'indication passe au vert après 5 secondes.
	Bleu (constant)	<ul style="list-style-type: none"> La borne de recharge attend le véhicule. La recharge est mise en pause.
	Bleu (se remplissant à partir du bas)	Le véhicule est en cours de recharge.
	Vert (clignotant)	La session de recharge est terminée. Le véhicule peut être déconnecté de la borne de recharge.

Anneau LED	Couleur	Description de l'état
	Orange (constant)	La recharge est lente ou mise en pause en raison d'une température élevée. La recharge reprendra automatiquement.
	Orange (clignotant)	La session de recharge a échoué. Déconnectez le véhicule et réessayez.

5.3. Maintenance par l'utilisateur

L'utilisateur de la borne de recharge est responsable de l'état de la borne de recharge, de ce fait, la législation concernant la sécurité des personnes, des animaux et du bien doit être respectée, ainsi que les réglementations sur l'installation en vigueur dans le pays où elle est utilisée. Faites régulièrement contrôler la borne de recharge et son installation par un électricien qualifié et en accord avec les réglementations sur l'installation applicables dans votre pays.

DANGER

Si la borne de recharge est exposée de manière prolongée à l'eau, il existe un risque de choc électrique, qui entraînera des blessures graves, voire la mort.

- Ne nettoyez jamais la borne de recharge avec un jet d'eau sous pression.
- Ne plongez pas le pistolet de recharge dans du liquide.

ATTENTION

N'utilisez pas de nettoyeurs chimiques ou de solvants agressifs pour nettoyer la borne de recharge.

1. Retirez la saleté et les matières organiques naturelles de l'extérieur de la borne de recharge en utilisant un chiffon doux propre. Assurez-vous que l'affichage, l'anneau LED et le capteur de lumière sont propres.
2. Vérifiez à vue d'œil la borne de recharge et le socle de prise. Si vous suspectez que la borne de recharge ou le socle de prise sont endommagés ou sales, contactez un électricien qualifié pour réparer ou remplacer les composants endommagés.
3. Tirez délicatement sur la borne de recharge pour s'assurer qu'elle est toujours installée. Assurez-vous que la coque externe de la borne est fixée. Si la borne de recharge ou la coque ne sont pas bien fixées, contactez un électricien qualifié pour réinstaller correctement la borne.

5.4. Connectez-vous à la borne de recharge

En utilisant un smartphone, une tablette ou un ordinateur portable équipé(e) de Wi-Fi, l'utilisateur peut se connecter à la borne de recharge pour modifier les paramètres tels que ceux du Wi-Fi et visualiser les licences logicielles. Pour obtenir des instructions, consultez help.evbox.com.

5.5. Only for Germany: Verify transaction data

Eichrecht requires that kWh meters are calibrated to make sure that the energy delivered corresponds to the actual usage, and end users are provided the ability to check if their invoice is accurate. To ensure that the quantities invoiced have not been manipulated by third parties, refer to evbox.com/liviqo-eichrecht-user.



6. Dépannage

DANGER

L'entretien et la réparation de la borne de recharge réalisés par une personne non qualifiée impliquent un risque de choc électrique, qui entraînera des blessures graves, voire la mort.

- Seul un électricien qualifié est autorisé à entretenir ou à réparer la borne de recharge.
- L'utilisateur ne doit pas essayer de réaliser l'entretien ou de réparer la borne de recharge, car elle contient des pièces ne pouvant pas être réparées par l'utilisateur.

6.1. Indication d'erreur

Anneau LED	Couleur	Description de l'état	Action
	Rouge (fixe)	Une erreur s'est produite.	Suivez les instructions affichées à l'écran.
	Arrêt	L'alimentation électrique est défectueuse.	Vérifiez l'alimentation électrique de la borne. Réinitialisez la MCB ou le RCD dans l'armoire électrique. Pour les bornes avec RCBO intégré, vérifiez si le RCBO est ouvert (voir Accéder au RCBO à la page 89).

Remarque

Certains états d'erreur sont résolus en coupant puis en réallumant l'alimentation.

- Pour les bornes sans RCBO intégré, coupez l'alimentation puis rallumez-la au niveau de l'armoire électrique.
- Pour les bornes avec RCBO intégré, coupez l'alimentation puis rallumez-la à l'aide du RCBO (voir [Accéder au RCBO à la page 89](#)).

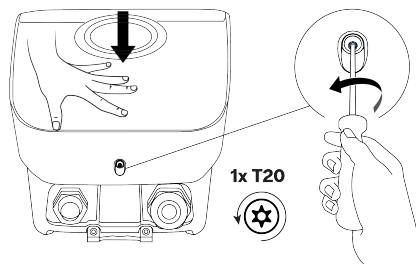
6.2. Accéder au RCBO

Cette procédure n'est applicable qu'aux bornes de recharge avec RCBO intégré. Le RCBO est accessible à travers un couvercle d'accès situé sur la coque interne. Avant de commencer cette procédure, assurez-vous que la borne de recharge est alimentée.

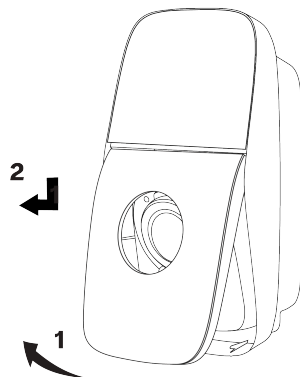
Remarque

Toutes les vis de sécurité Torx T20 sont imperdables. Ne retirez pas complètement les vis imperdables de la borne de recharge.

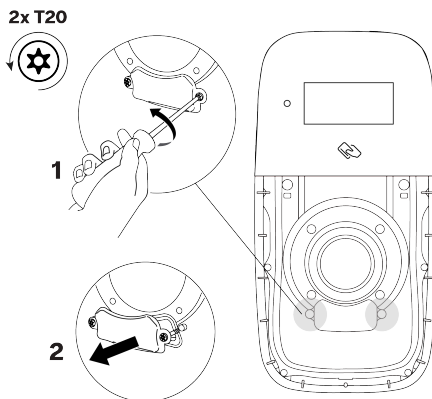
1. Si un VE est connecté à la borne de recharge, déconnectez le VE.
2. Poussez la coque avant contre le ressort, puis desserrez une vis imperdable de sécurité Torx T20 fixant la coque avant sur la borne de recharge.



3. Pivotez la coque avant vers le haut, puis désengagez le bord supérieur de la coque du dessous du bord inférieur de la coque de l'affichage.



4. Desserrez deux vis imperdables de sécurité Torx T20. Retirez la coque du RCBO de la coque interne.

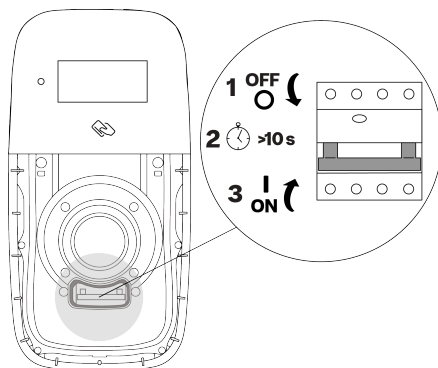


5. Pour éteindre et rallumer la borne de recharge, éteignez le RCBO, attendez 10 secondes, puis rallumez le RCBO.

L'anneau LED est blanc rotatif pour indiquer que la borne de recharge est en cours de démarrage. La borne de recharge est prête à recharger un VE lorsque l'anneau LED est vert constant.

i Remarque

Les RCBO de type B sont installés à l'envers dans les bornes de recharge. Si la borne de recharge est équipée d'un RCBO de type B, les sens de marche et d'arrêt sont inversés.



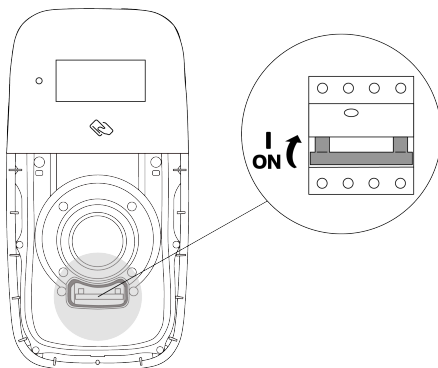
6. Dépannage

6. Pour un RCBO ouvert, déplacez le commutateur RCBO vers le bas.

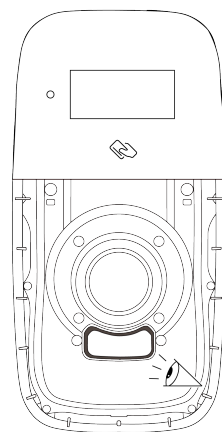
L'anneau LED est blanc rotatif pour indiquer que la borne de recharge est en cours de démarrage. La borne de recharge est prête à recharger un VE lorsque l'anneau LED est vert constant.

i Remarque

Les RCBO de type B sont installés à l'envers dans les bornes de recharge. Si la borne de recharge est équipée d'un RCBO de type B, les sens de marche et d'arrêt sont inversés.



7. Vérifiez que le joint de la coque interne est propre et non endommagé.

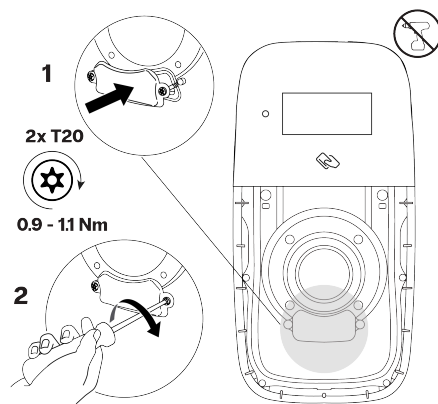


8. Installer la coque du RCBO sur la coque interne. Serrez deux vis imperdables de sécurité Torx T20.

⚠ ATTENTION

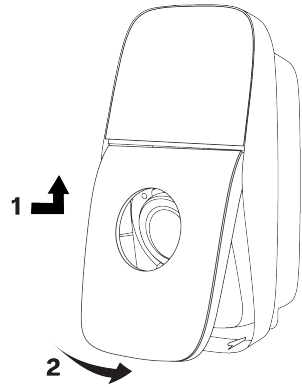
L'utilisation d'un tournevis électrique avec un couple élevé peut endommager les vis et les composants.

- Utilisez uniquement un tournevis à faible couple avec le bon réglage de couple.



9. Installez la coque avant comme ci-après :

- a. Engagez le bord supérieur de la coque avant en dessous du bord inférieur de la coque de l'affichage, puis pivotez la coque vers le bas pour aligner le trou de vis inférieur.

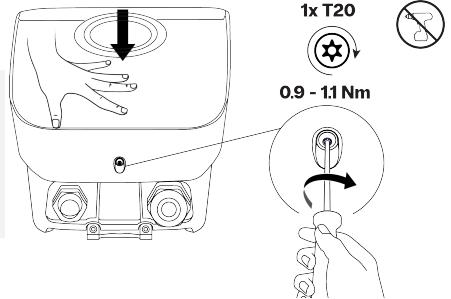


- b. Poussez la coque avant contre le ressort. Serrez la vis imperdable Torx T20 pour fixer la coque avant sur la borne de recharge.

⚠ ATTENTION

L'utilisation d'un tournevis électrique avec un couple élevé peut endommager les vis et les composants.

- Utilisez uniquement un tournevis à faible couple avec le bon réglage de couple.



7. Mise hors service

Démontez la borne de recharge et mettez-la au rebut conformément aux réglementations locales en vigueur concernant les déchets.

	Ne jetez pas cette borne de recharge avec les ordures ménagères. Au lieu de cela, apportez cette borne de recharge dans un point de collecte local pour les appareils électriques / électroniques afin d'en permettre le recyclage, et d'éviter ainsi les impacts négatifs et dangereux sur l'environnement. Demandez à votre mairie ou aux collectivités locales.
	Le recyclage des matériaux permet de réutiliser des matières premières, conserve de l'énergie et contribue considérablement à protéger l'environnement.



FR

Cet appareil
et ses accessoires
se recyclent

À DÉPOSER
EN MAGASIN



À DÉPOSER
EN DÉCHÈTERIE



OU

Points de collecte sur www.quefairedemesdechets.fr
Privilégiez la réparation ou le don de votre appareil !

8. Annexe

8.1. Glossaire

Abréviation	Signification
1P	Alimentation monophasée (entrée et sortie). L'indice de la borne est indiqué au bas de la borne.
3P	Alimentation triphasée (entrée et sortie). L'indice de la borne est indiqué au bas de la borne.
CA	Courant alternatif.

Abréviation	Signification
CMP	Plateforme de gestion des bornes de recharge (CMP). La Plateforme backend qui relie la borne de recharge à l'opérateur de charge.
CPO	Opérateur de charge. Le propriétaire et/ou l'exploitant de l'installation de la borne de recharge.
DSO	Distribution System Operator (Opérateur de système de distribution). L'opérateur responsable du réseau d'alimentation électrique.
ESD	Décharge électrostatique.
VE	Véhicule électrique.
IK	Protection contre les chocs.
IP	Protection contre la pénétration.
RF	Communication radiofréquence.
LAN	Réseau de zone locale.
LED	Diode électroluminescente.
MCB	Disjoncteur miniature.
OCP	Protocole ouvert de point de charge.
PE	Terre protectrice ou masse.
Disjoncteur différenciel (RCBO)	Disjoncteur de courant résiduel avec protection contre les surintensités.
RCD	Dispositif de courant résiduel.

8.2. Déclaration de conformité de l'UE

EVBox B.V. déclare que le type d'équipement radio EVBox Liviqo est conforme à la directive 2014/53/EU. Le texte intégral de la Déclaration de conformité de l'UE est disponible sur help.evbox.com.

Informations réglementaires

Technologie	Bandes de fréquence	Puissance de sortie max.
GSM 900	890 MHz – 915 MHz	27,77 dBm
GSM 1800	1 710 MHz - 1 785 MHz	24,77 dBm
LTE Bande 3	1 710 MHz - 1 785 MHz	28,48 dBm
LTE Bande 8	880 MHz – 915 MHz	28,48 dBm
LTE Bande 20	832 MHz – 862 MHz	28,48 dBm
LTE Bande 28	703 MHz – 748 MHz	28,48 dBm
WLAN (802.11b/g/n)	2412 MHz – 2484 MHz	16,79 dBm
WLAN (802.11a/n)	5 150 MHz – 5 250 MHz	16,63 dBm
WLAN (802.11a/n)	5 725 MHz – 5 850 MHz	11,46 dBm
RFID	13,56 MHz	19,00 dBm

